



US00D805402S

(12) **United States Design Patent** (10) **Patent No.:** **US D805,402 S**  
**Gamble** (45) **Date of Patent:** **\*\* Dec. 19, 2017**

(54) **CAN CARRIER**  
 (71) Applicant: **Danby Products Limited**, Guelph (CA)  
 (72) Inventor: **Shauna Gamble**, Guelph (CA)  
 (73) Assignee: **DANBY PRODUCTS LIMITED**,  
 Guelph (CA)

D300,293 S \* 3/1989 Casey ..... D7/387  
 4,928,841 A \* 5/1990 Arthurs ..... B65D 71/70  
 206/203  
 D331,194 S \* 11/1992 Pezzoli ..... D9/434  
 D368,584 S \* 4/1996 Stommel, Jr. .... D3/313  
 D495,490 S \* 9/2004 Garrett ..... D3/304  
 D496,162 S \* 9/2004 Garrett ..... D3/304  
 D596,857 S \* 7/2009 Ahlgrim ..... D3/307

(Continued)

(\*\*) Term: **15 Years**

*Primary Examiner* — Cathron C Brooks

*Assistant Examiner* — W. A. Teddy Falloway

(21) Appl. No.: **29/572,893**

(74) *Attorney, Agent, or Firm* — Ralph E. Jocke; Walker & Jocke

(22) Filed: **Aug. 1, 2016**

(51) **LOC (10) Cl.** ..... **09-03**

(57) **CLAIM**

(52) **U.S. Cl.**  
 USPC ..... **D9/755; D3/307**

An ornamental design for a can carrier, as shown and described.

(58) **Field of Classification Search**

**DESCRIPTION**

USPC ..... D9/737, 751, 755; D3/201, 202, 304,  
 D3/307, 310–315, 318, 319, 328, 905;  
 D7/601–603, 701, 709, 629; D6/512;  
 D15/89, 90; D11/148; 220/500, 507,  
 220/508, 602, 662, 23.83, 62.16; 206/427  
 CPC ..... B65D 25/2855; B65D 25/2823; B65D  
 25/66; B65D 25/30; B65D 71/0003;  
 A47G 23/0266; F25C 5/182

See application file for complete search history.

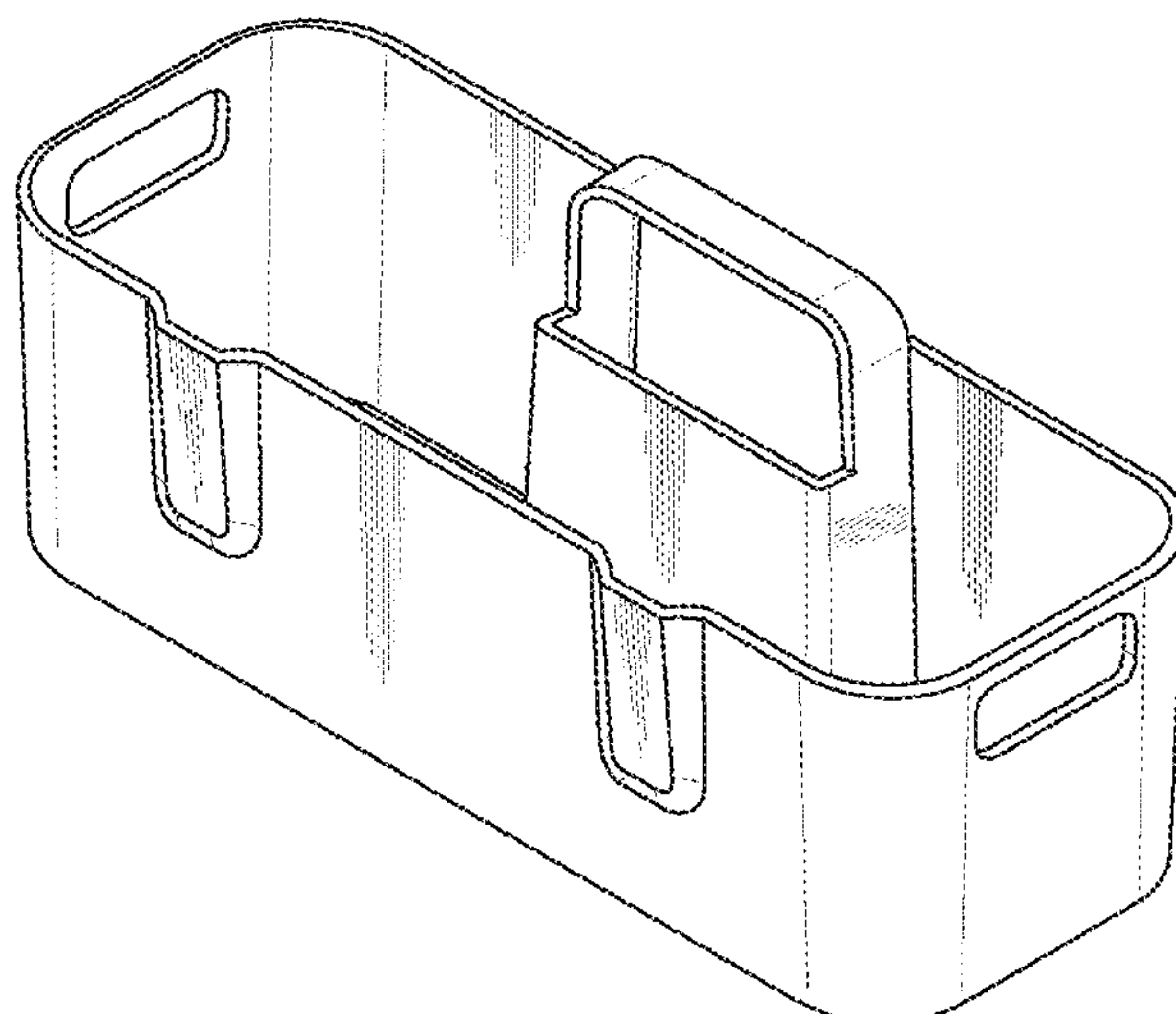
FIG. 1 is a front top left perspective view showing my new design for a can carrier.  
 FIG. 2 is a back top left perspective view thereof.  
 FIG. 3 is a front bottom left perspective view thereof.  
 FIG. 4 is a front view thereof.  
 FIG. 5 is a back view thereof.  
 FIG. 6 is a left side view thereof.  
 FIG. 7 is a right side view thereof.  
 FIG. 8 is a top view thereof.  
 FIG. 9 is a bottom view thereof.  
 FIG. 10 is a front top left perspective view thereof with a can divider shown in phantom.  
 FIG. 11 is a back top left perspective view thereof with a can divider shown in phantom; and,  
 FIG. 12 is a front top left perspective view with a can divider and cans shown in phantom.  
 The broken lines showing a divider and cans in FIGS. 10-12 illustrate environment. All other broken lines illustrate portions of the can carrier. The broken lines form no part of the claimed design.

(56) **References Cited**

**U.S. PATENT DOCUMENTS**

2,994,457 A \* 8/1961 Fornas ..... B65D 21/045  
 206/507  
 D197,311 S \* 1/1964 Spaak et al. .... 206/509  
 D198,594 S \* 7/1964 Castellano ..... D3/314  
 D201,843 S \* 8/1965 Johnson ..... D3/307  
 3,326,410 A \* 6/1967 Asenbauer ..... B65D 21/045  
 206/504  
 3,375,953 A \* 4/1968 Miller, Jr. .... B65D 21/062  
 206/506  
 D272,288 S \* 1/1984 Pfaff ..... D3/304  
 4,560,064 A \* 12/1985 Peterson ..... A47G 23/0266  
 206/144

**1 Claim, 9 Drawing Sheets**



(56)

**References Cited**

U.S. PATENT DOCUMENTS

D663,525 S \* 7/2012 Rhoades ..... D3/314  
D709,927 S \* 7/2014 Park ..... D15/89  
8,985,347 B2 \* 3/2015 Thompson ..... A47J 47/16  
206/144  
D725,910 S \* 4/2015 Sampaio ..... B65D 21/0209  
D3/315  
D747,102 S \* 1/2016 Kraemer ..... D3/307  
D751,378 S \* 3/2016 Solovov, Jr. .... D9/414  
D756,652 S \* 5/2016 Reinhart ..... D3/314  
D762,387 S \* 8/2016 Green ..... D3/304  
D762,551 S \* 8/2016 Meckler ..... D12/407  
D766,575 S \* 9/2016 Widner ..... D3/314  
D772,575 S \* 11/2016 Stelmarski ..... D3/304  
D775,057 S \* 12/2016 Meckler ..... D12/407  
D775,465 S \* 1/2017 Aller ..... D3/304  
D775,831 S \* 1/2017 Duvigneau ..... D3/304  
D786,556 S \* 5/2017 Jones ..... D3/304  
2017/0205130 A1 \* 7/2017 Thayyullathil ..... F25C 5/182

\* cited by examiner

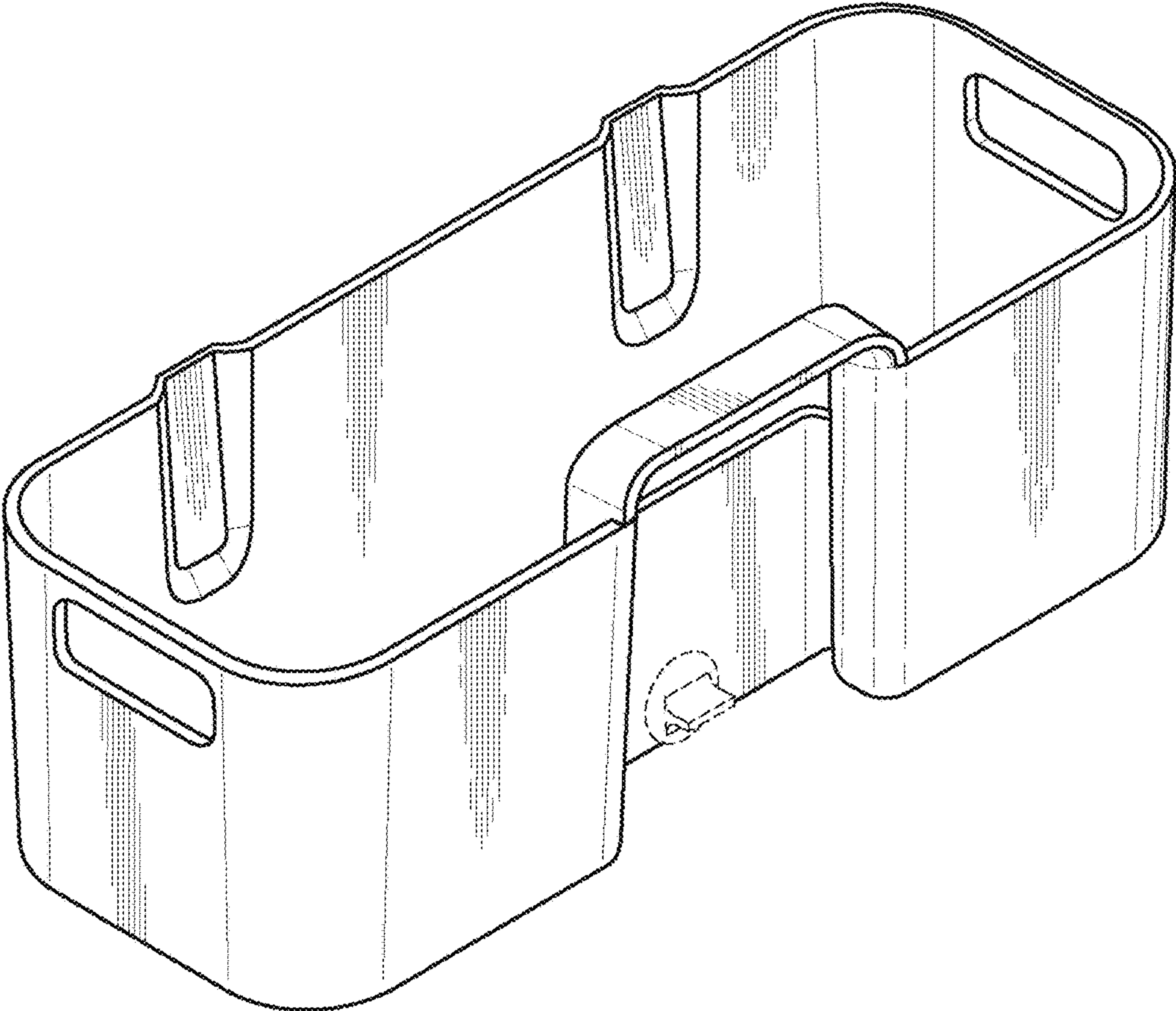


FIG. 1

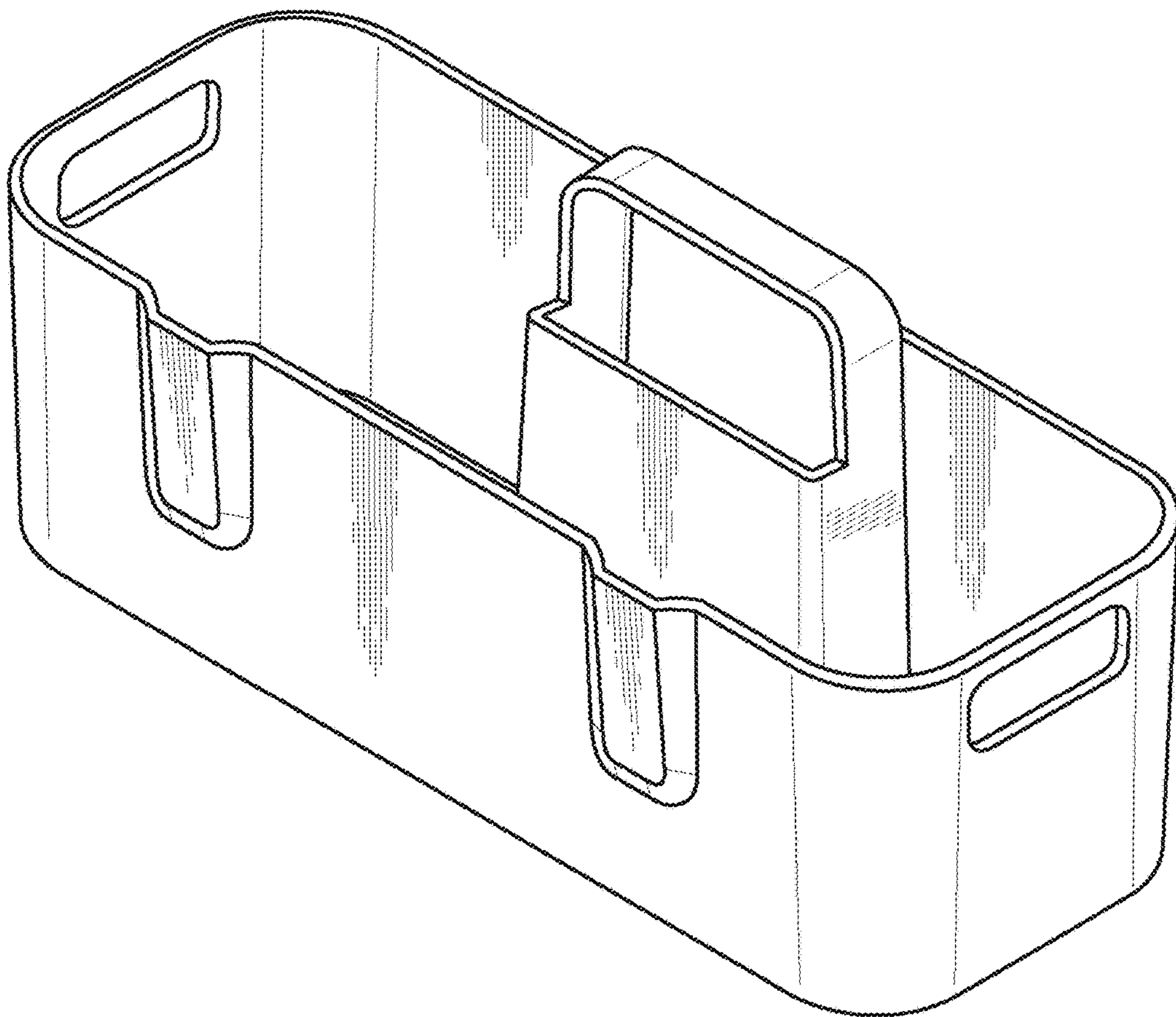


FIG. 2



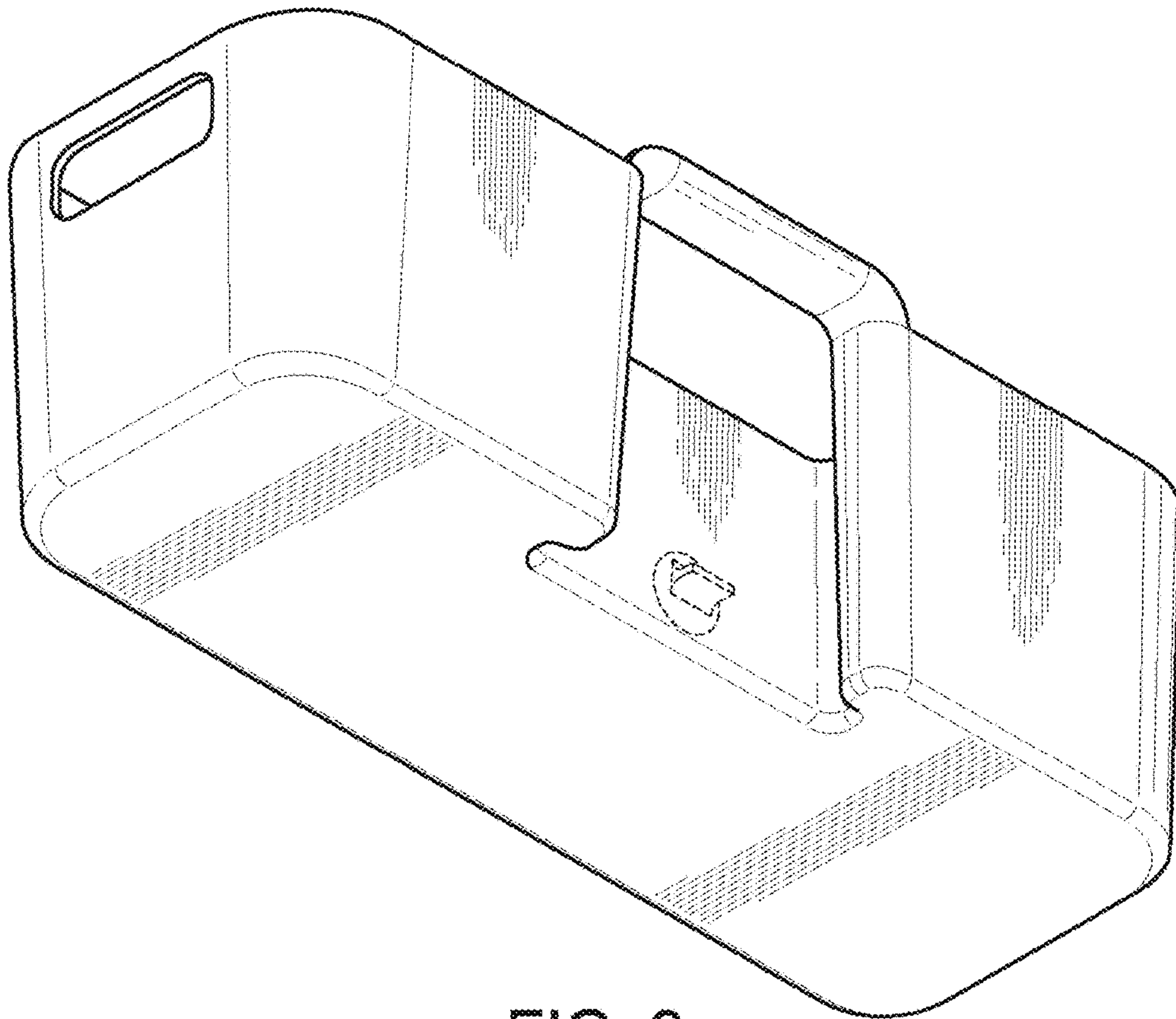


FIG. 3

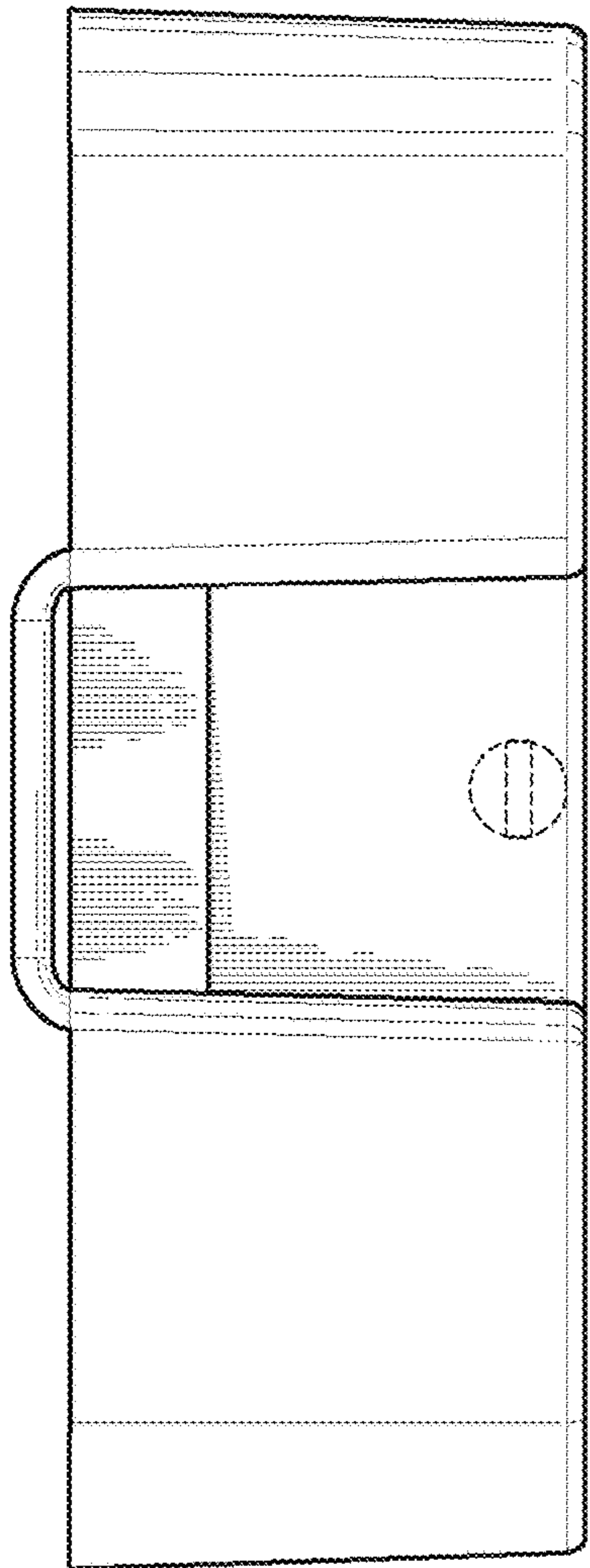


FIG. 4

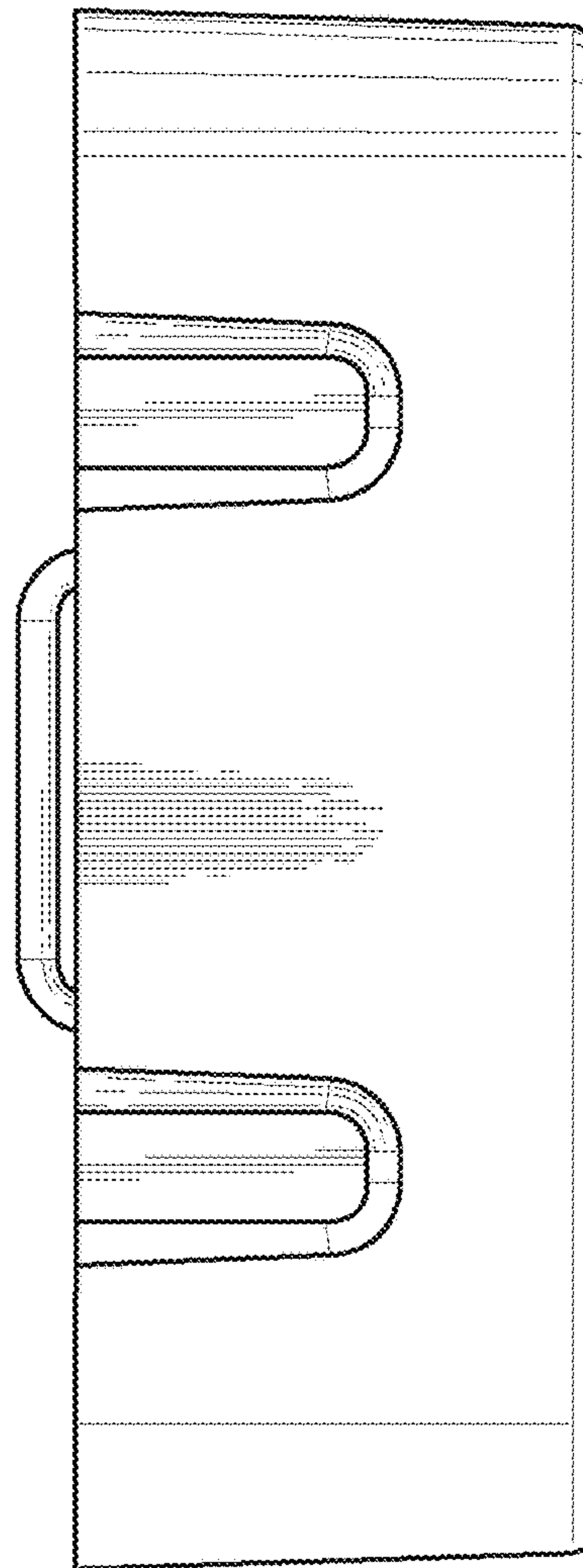


FIG. 5

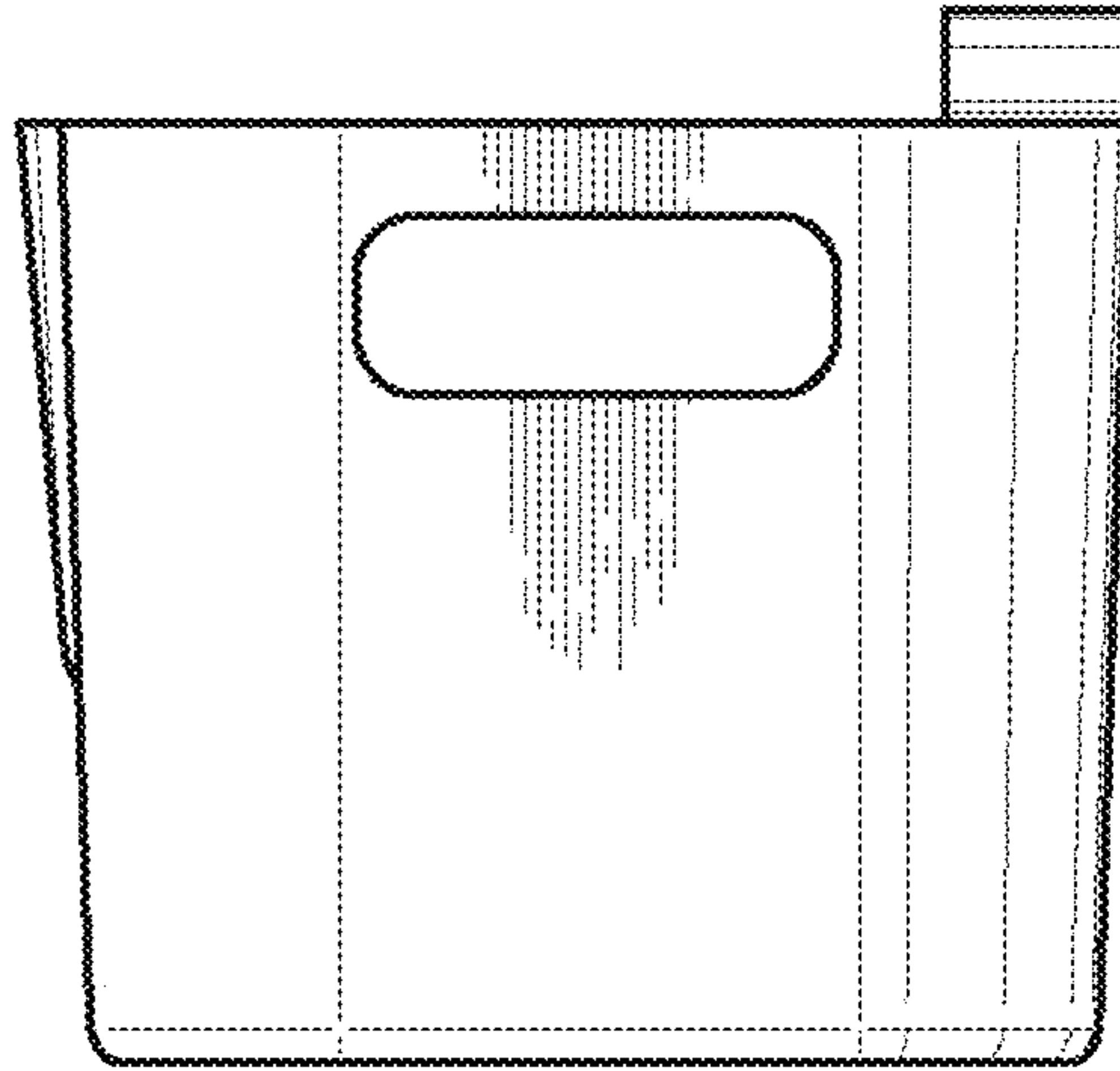


FIG. 6

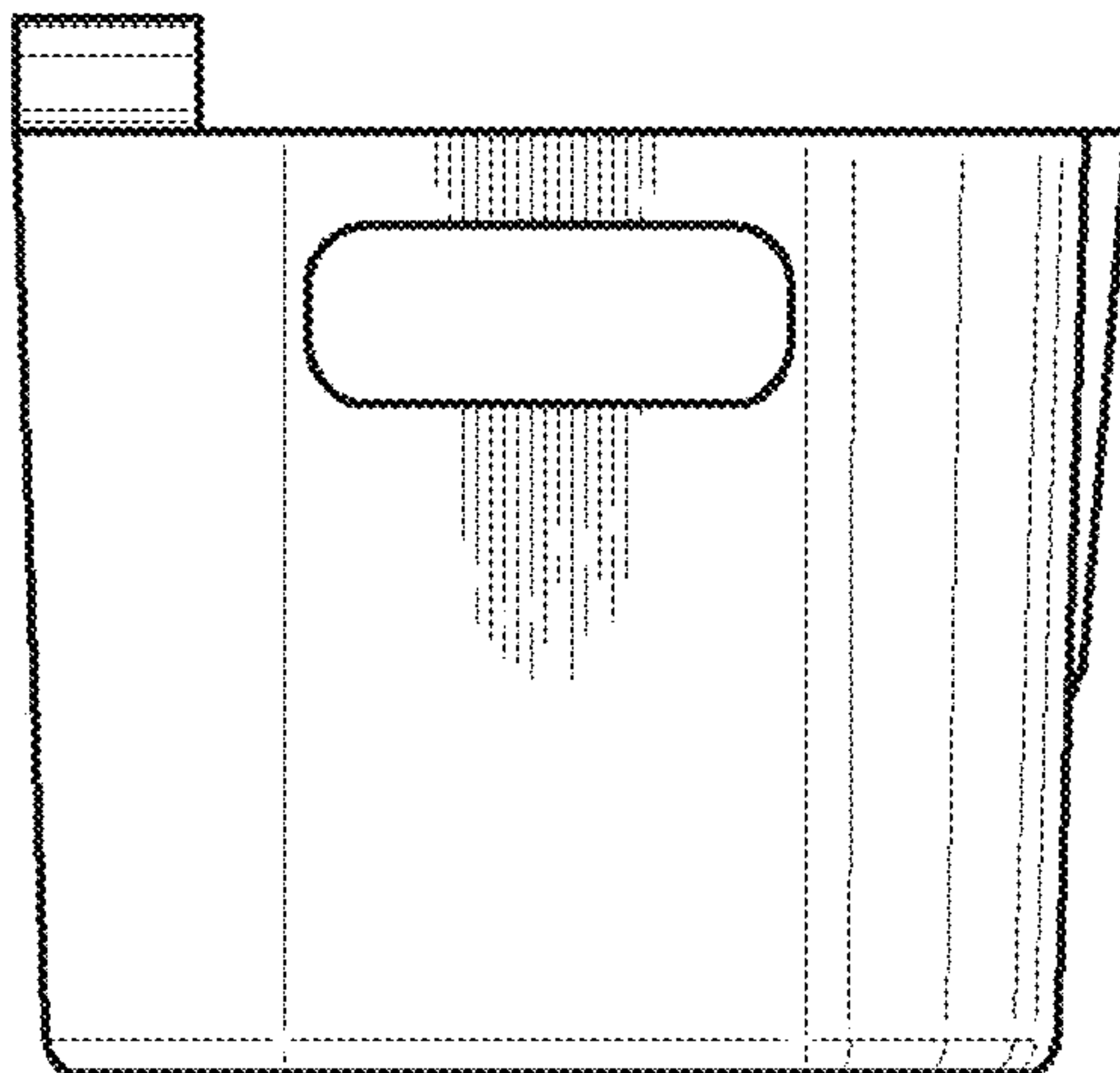


FIG. 7

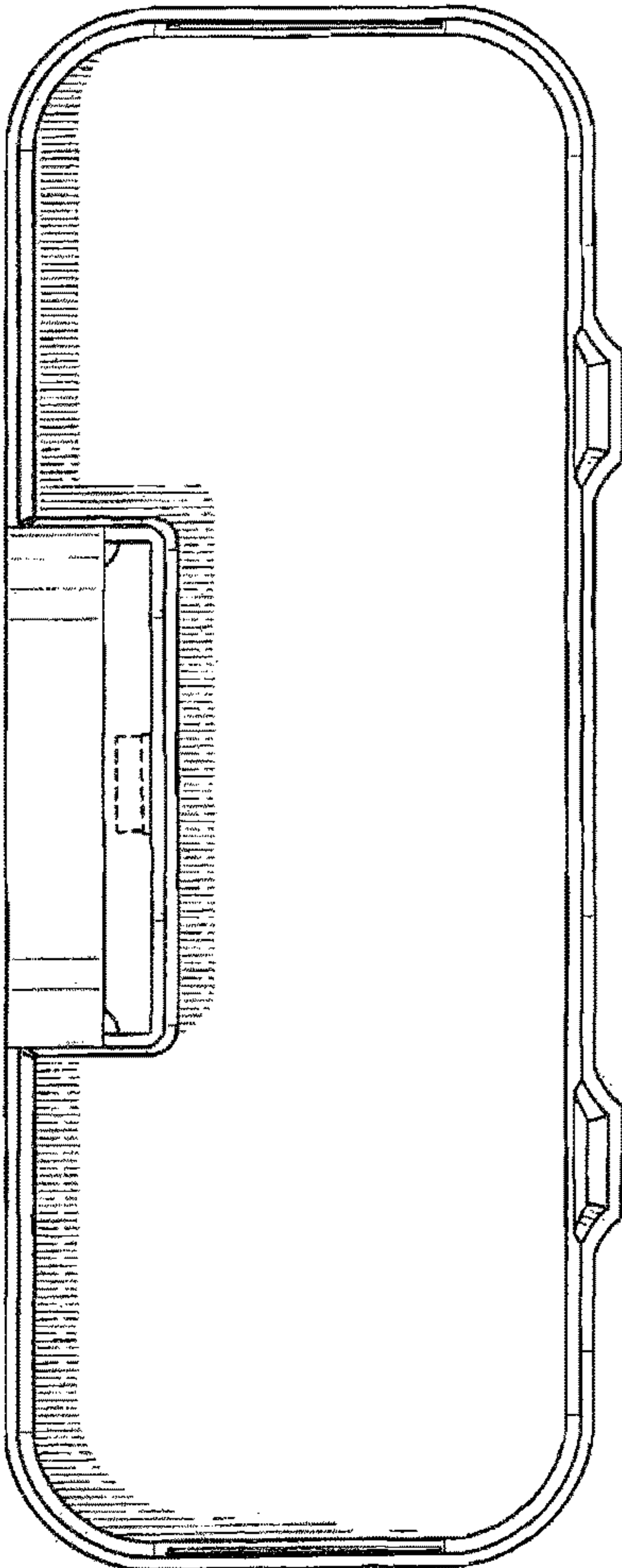


FIG. 8

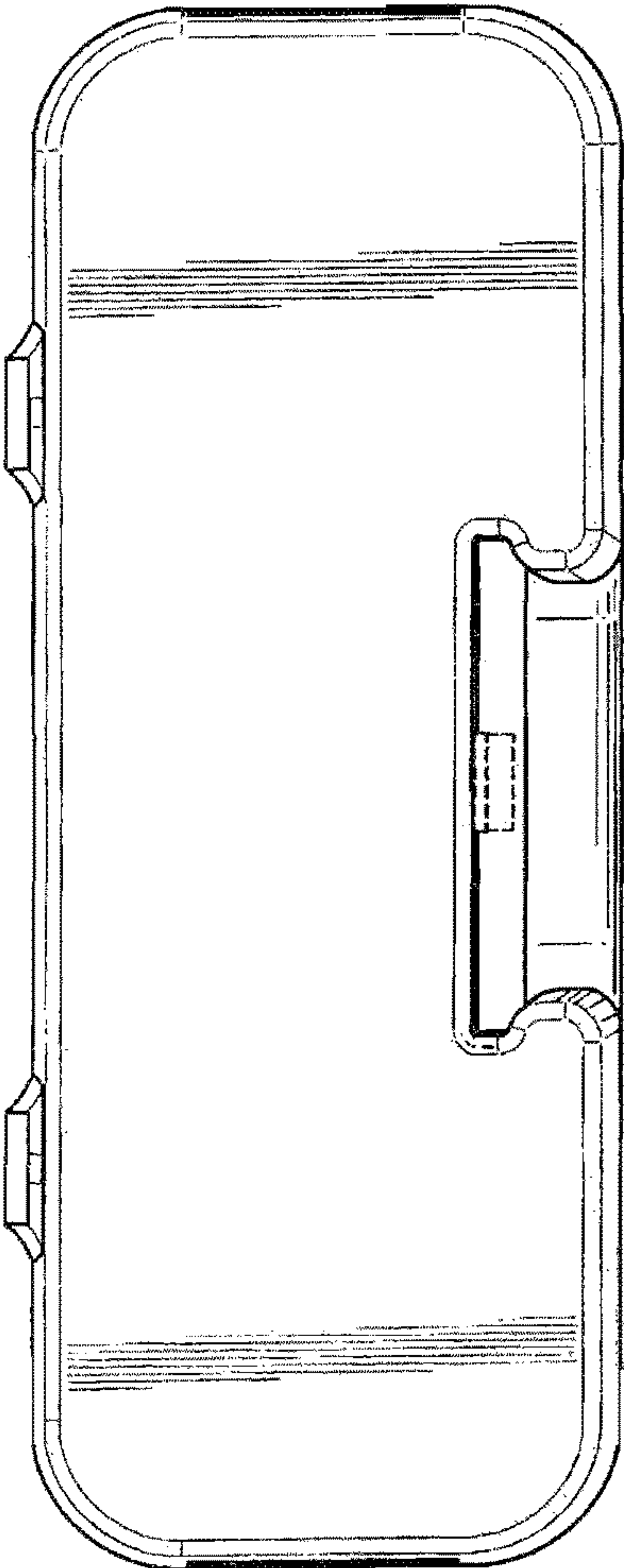


FIG. 9



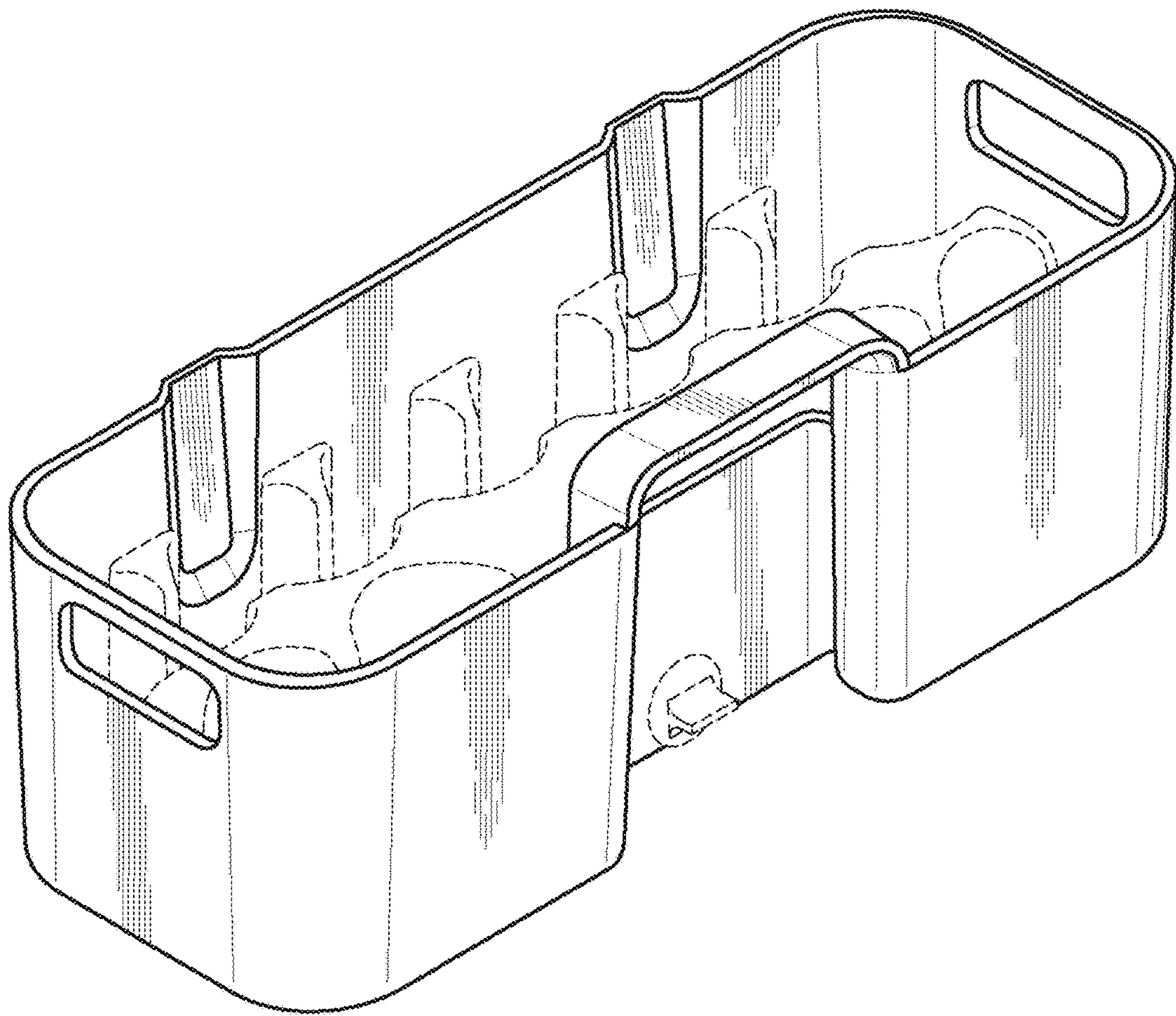


FIG. 10

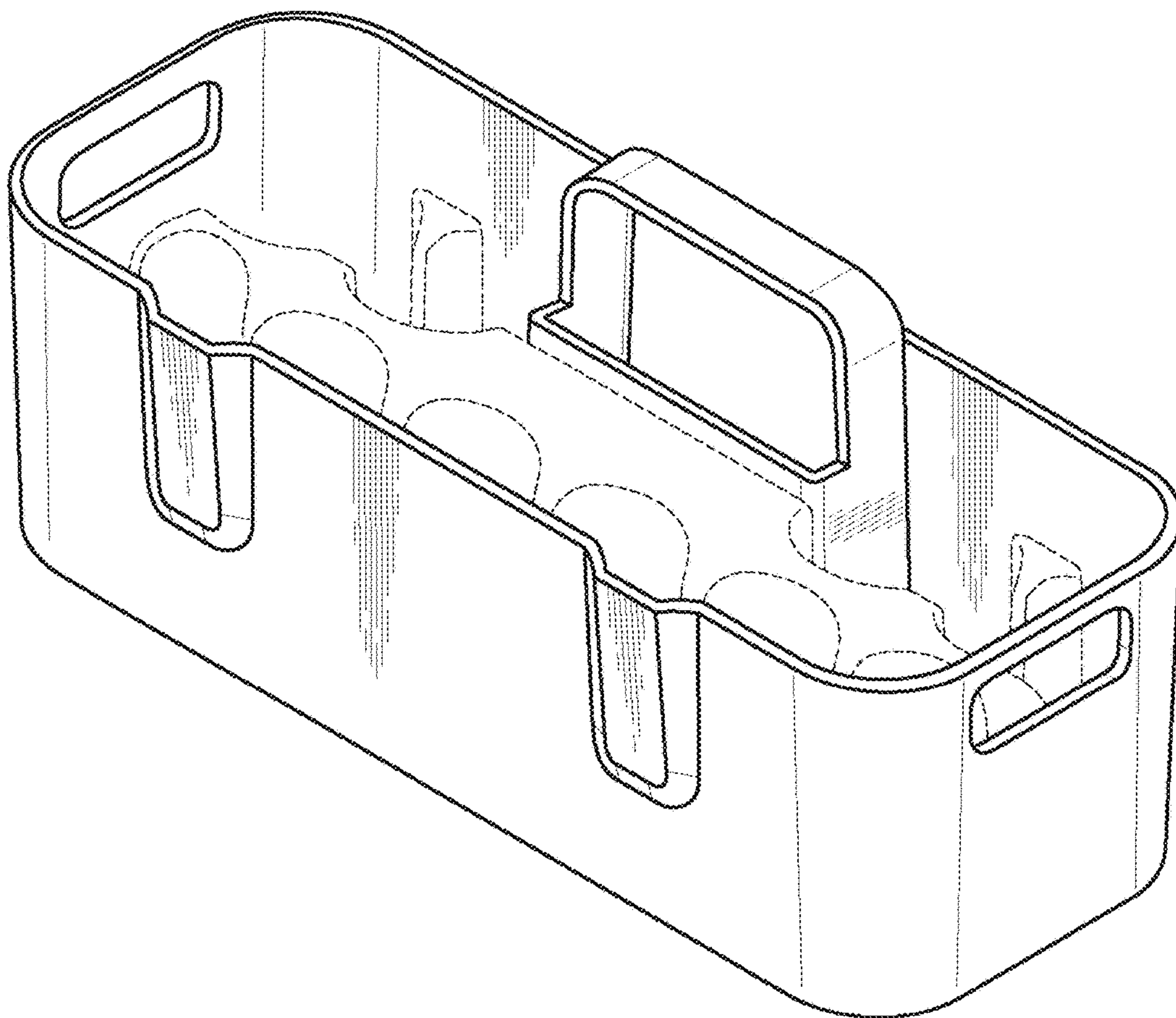


FIG. 11

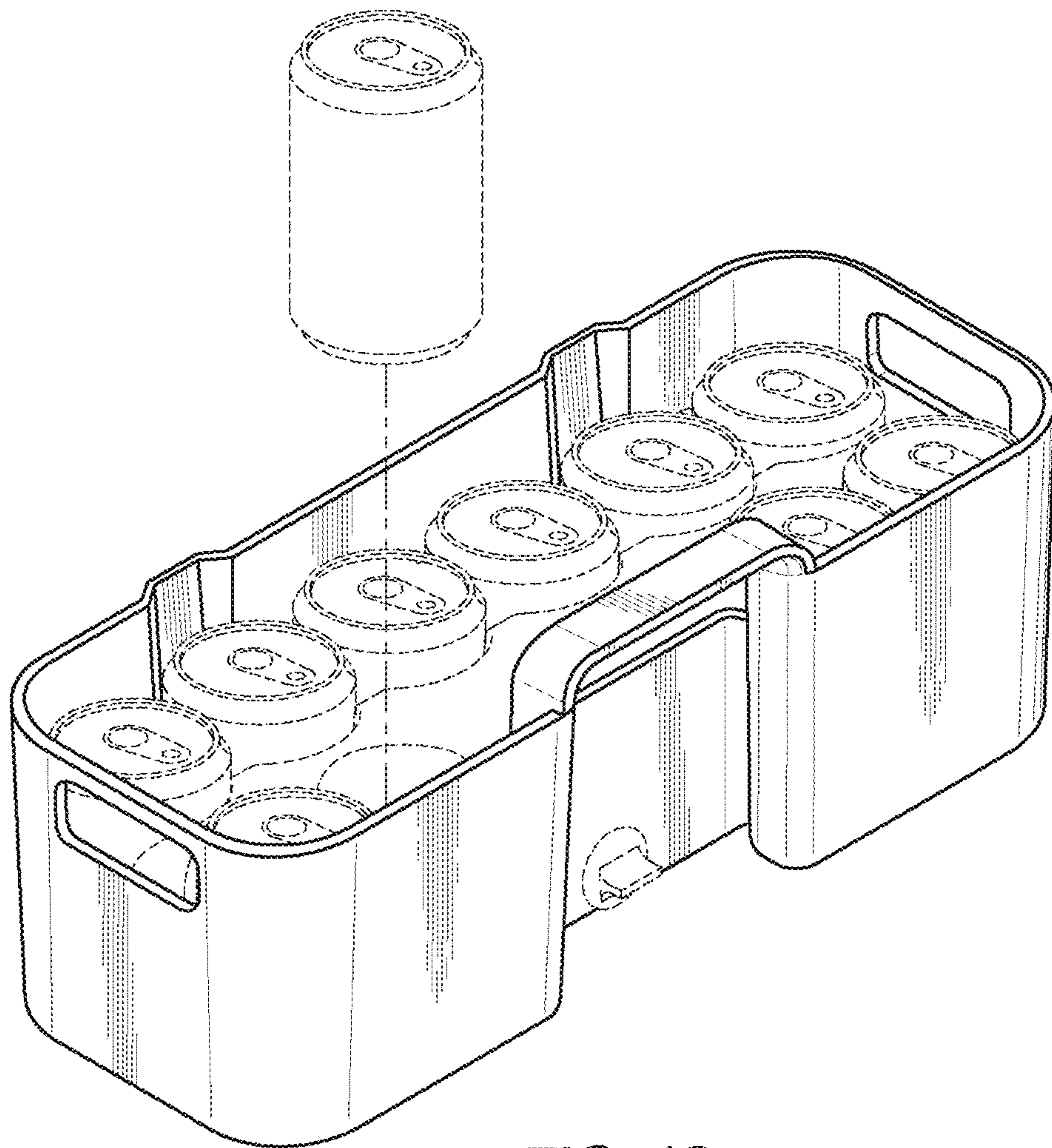


FIG. 12