



US00D805401S

(12) **United States Design Patent** (10) **Patent No.:** **US D805,401 S**
Boctor (45) **Date of Patent:** **** Dec. 19, 2017**

(54) **TWO COMPARTMENT SQUEEZE BOTTLE**
(71) Applicant: **Daniel Boctor**, Huntington Beach, CA (US)
(72) Inventor: **Daniel Boctor**, Huntington Beach, CA (US)
(**) Term: **15 Years**
(21) Appl. No.: **29/586,457**
(22) Filed: **Dec. 3, 2016**
(51) **LOC (10) Cl.** **09-01**
(52) **U.S. Cl.**
USPC **D9/741**
(58) **Field of Classification Search**
USPC D9/741, 516, 529, 559, 564-565, D9/561-562, 575, 737-738, 686, 689, D9/691, 693, 570, 574, 747, 569, 573, D9/620, 341, 367, 751, 756, 530, 313, D9/375, 403, 409, 413, 558, 547, 743, D9/744, 539-546, 520-524; D7/509-511, 563, 573, 590, 513, 300, D7/308, 312, 315, 601, 602, 619.1, 622; D3/202; 264/532; 222/129, 94, 135; 220/505, 504, 288, 709, 23.4, 23.8, 23.88, 220/633, 916, 660, 669; 215/6, 10, 216
CPC B65D 1/04; B65D 21/02; B65D 21/0201; B65D 81/3283; B65D 2501/0081; B65D 81/3244; B65D 83/40; B65D 83/68
See application file for complete search history.

5,252,312 A * 10/1993 Gentile A61K 8/19 206/216
D342,022 S * 12/1993 Pritchard D9/449
5,765,725 A * 6/1998 Matt B65D 35/22 222/129
6,026,989 A * 2/2000 Richmond B65D 35/22 222/107
D454,068 S * 3/2002 Hanson D9/535
6,550,647 B1 * 4/2003 Kunz B65D 1/04 215/6
7,036,684 B1 * 5/2006 Hantman B29C 49/0078 215/6
7,258,251 B2 * 8/2007 Johnson A47G 19/183 215/6
D566,576 S * 4/2008 Thompson D21/542
(Continued)

OTHER PUBLICATIONS

Viva Healthcare: Dual Chamber Tube, available May 5, 2014, [online], [site visited Sep. 29, 2017]. Available from internet, <URL: <https://www.webpackaging.com/en/portals/vivaimltubes/assets/11016911/viva-healthcare-packagings-new-product-innovation-dual-chamber-tube/> (Year: 2014).*

Primary Examiner — Cathron C Brooks
Assistant Examiner — W. A. Teddy Falloway
(74) *Attorney, Agent, or Firm* — RG Patent Consulting, LLC; Rachel Gilboy

(57) **CLAIM**

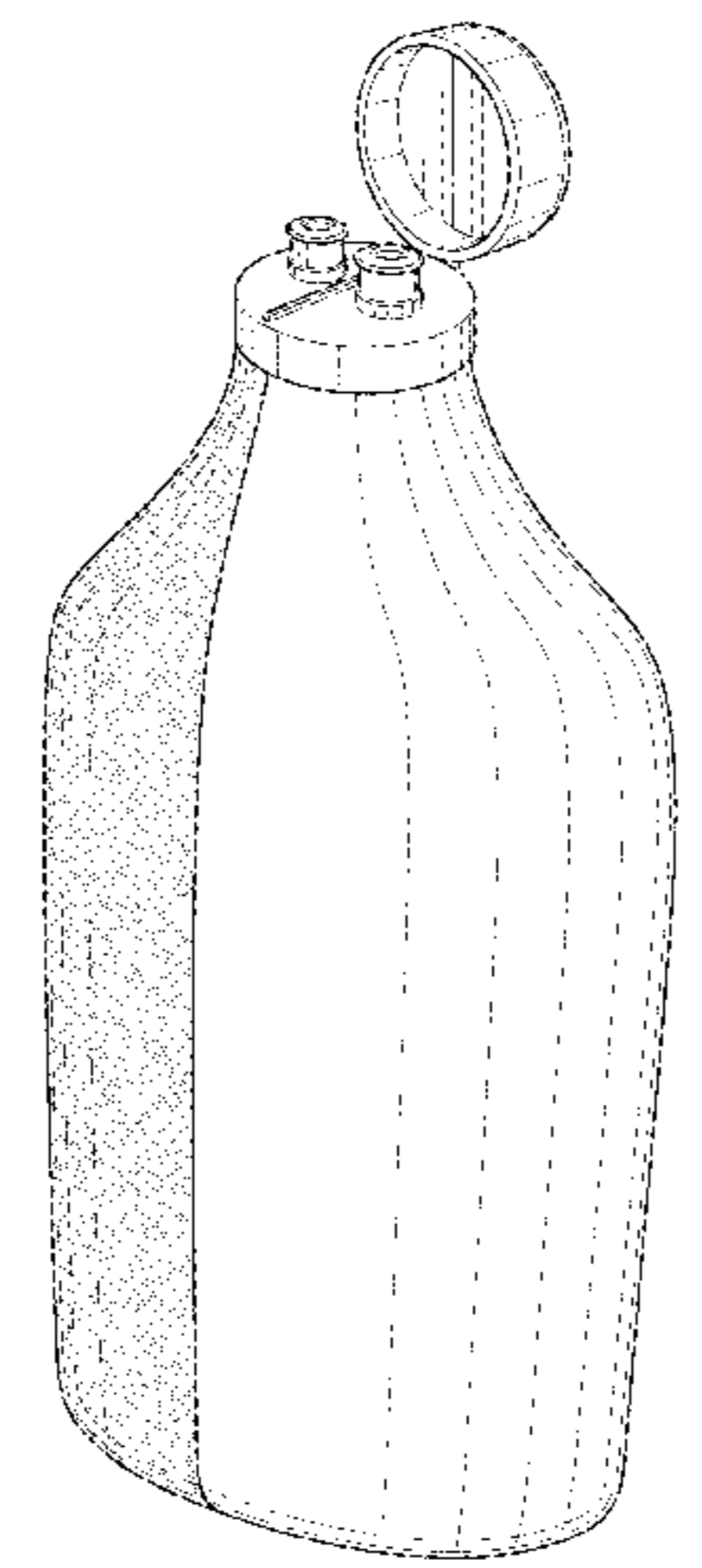
The ornamental design for a two compartment squeeze bottle, as shown and described.

DESCRIPTION

FIG. 1 is a perspective view of the two compartment squeeze bottle showing my new design;
FIG. 2 is a front elevation view thereof;
FIG. 3 is a rear elevation view thereof;
FIG. 4 is a right elevation view thereof;
FIG. 5 is a left elevation view thereof;
FIG. 6 is a top plan view thereof; and,
FIG. 7 is a bottom plan view thereof.

1 Claim, 6 Drawing Sheets

(56) **References Cited**
U.S. PATENT DOCUMENTS
D73,866 S * 11/1927 Puhl D9/542
D108,125 S * 1/1938 Lummis, Jr. D9/542
D214,549 S * 7/1969 Ledewitz D9/741
4,148,417 A * 4/1979 Simmons B65D 1/32 222/215
D288,528 S * 3/1987 Parad D9/435
D288,529 S * 3/1987 Parad D9/435
D321,133 S * 10/1991 Wiseman D9/552



(56)

References Cited

U.S. PATENT DOCUMENTS

D585,277	S *	1/2009	Beauplan	D9/446
D630,094	S *	1/2011	Maxwell	D9/447
D673,814	S *	1/2013	Honein	D7/590
D766,738	S *	9/2016	Buckner, III	D9/741
D767,342	S *	9/2016	Alyas	D7/590
2003/0089738	A1 *	5/2003	Peterson	B05B 11/0078 222/135
2004/0026535	A1 *	2/2004	Conway	B65D 81/3288 239/433
2006/0043047	A1 *	3/2006	Johnson	A47G 19/183 215/6
2008/0121654	A1 *	5/2008	Pikowski	A47G 19/183 222/129
2008/0135429	A1 *	6/2008	Wright	B65D 35/22 206/277
2008/0283523	A1 *	11/2008	Alonso	B65D 21/0204 220/4.24
2010/0116769	A1 *	5/2010	Kountotsis	B65D 1/0292 215/6
2010/0116826	A1 *	5/2010	Kountotsis	B65D 1/04 220/553
2011/0042337	A1 *	2/2011	Kountotsis	B65D 1/04 215/6
2012/0168463	A1 *	7/2012	Hanai	B65D 83/62 222/135
2014/0008389	A1 *	1/2014	Mekata	B65D 83/20 222/94
2015/0360804	A1 *	12/2015	Ayeni	A47G 19/2266 215/6
2016/0199863	A1 *	7/2016	Lee	A45D 34/00 222/135

* cited by examiner

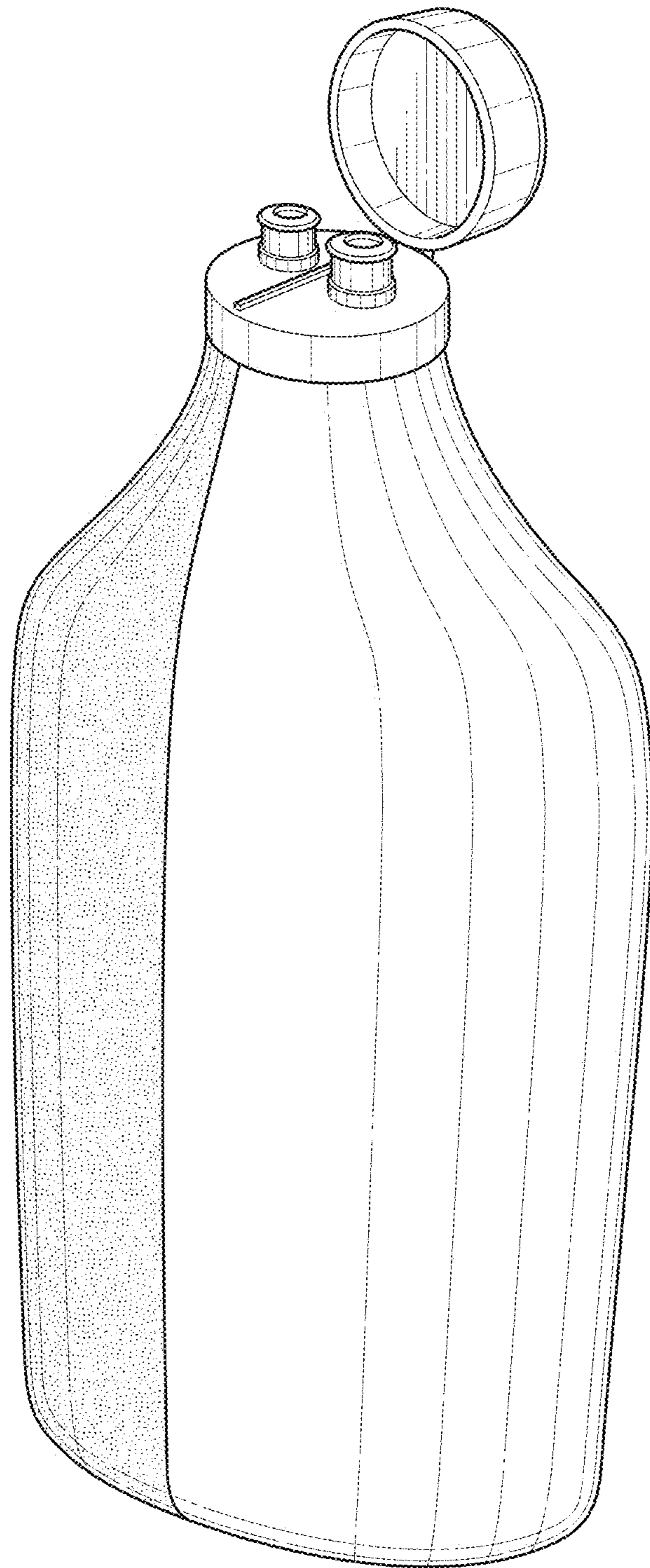


FIG. 1

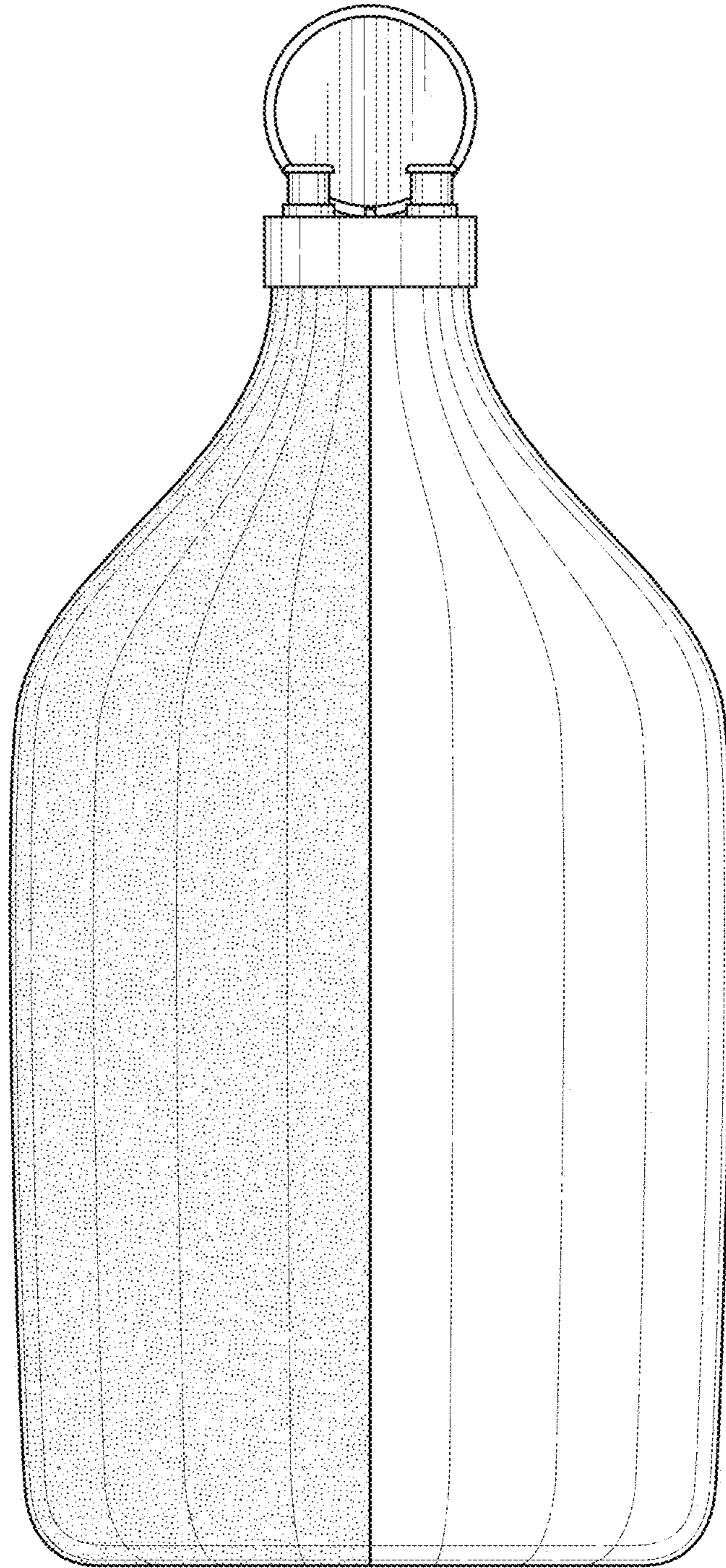


FIG. 2

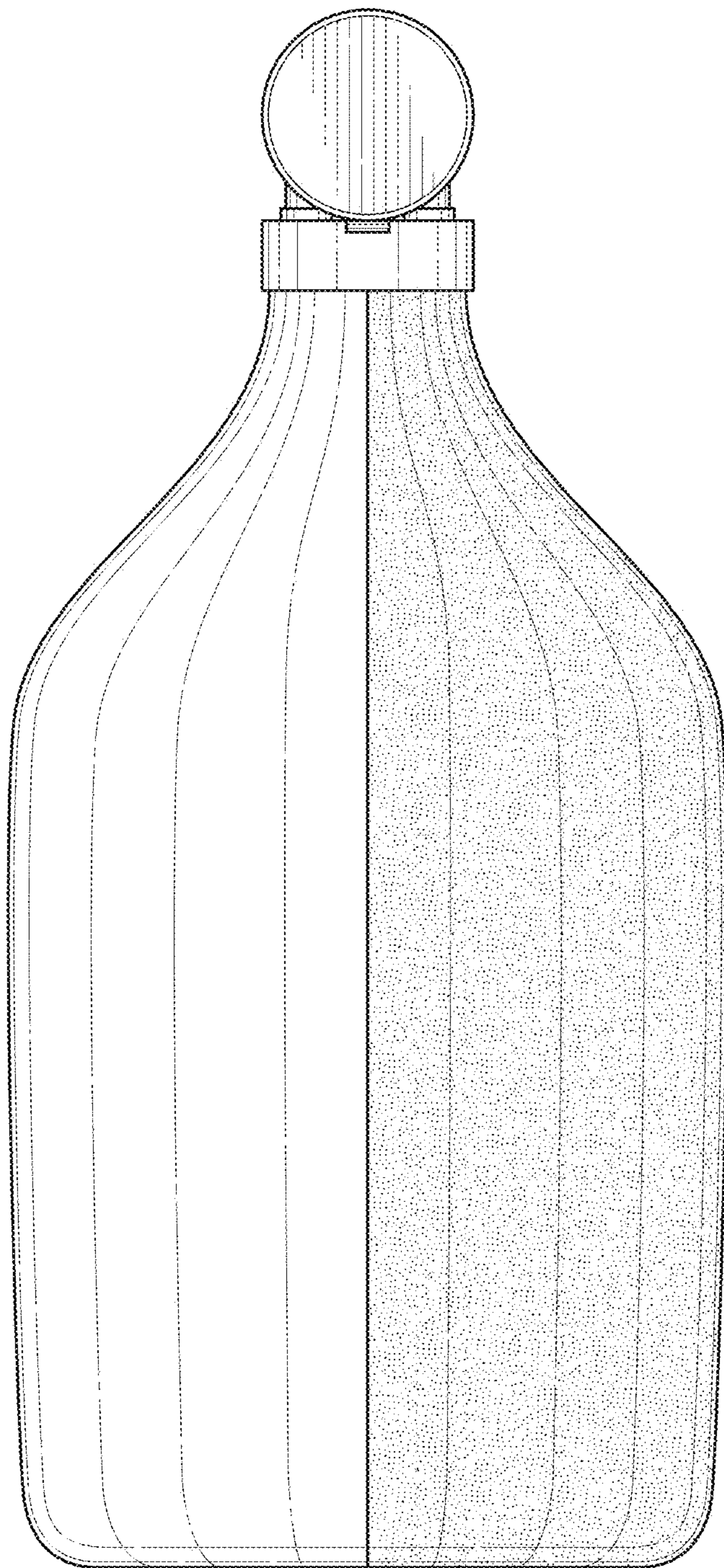


FIG. 3

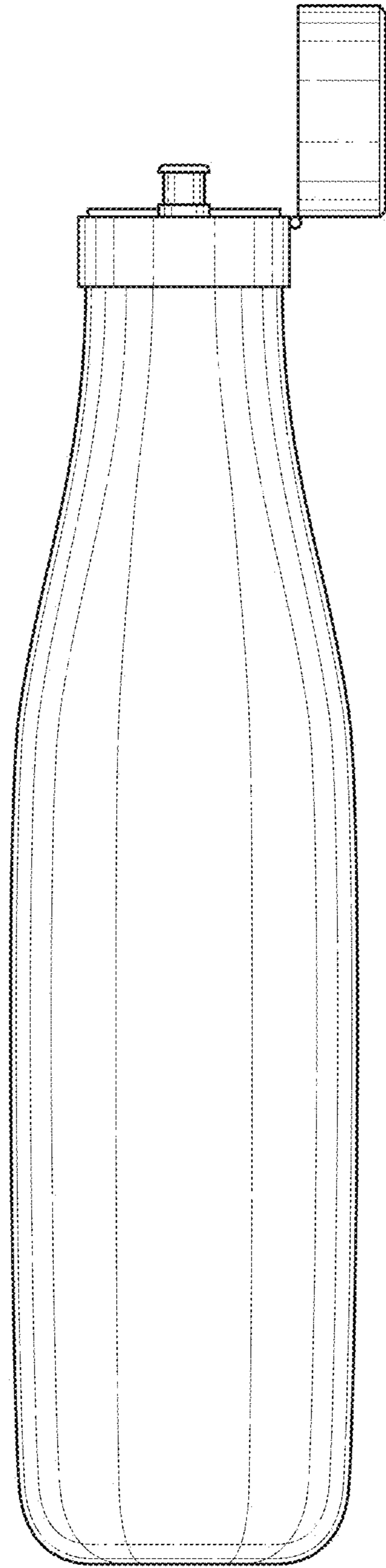


FIG. 4

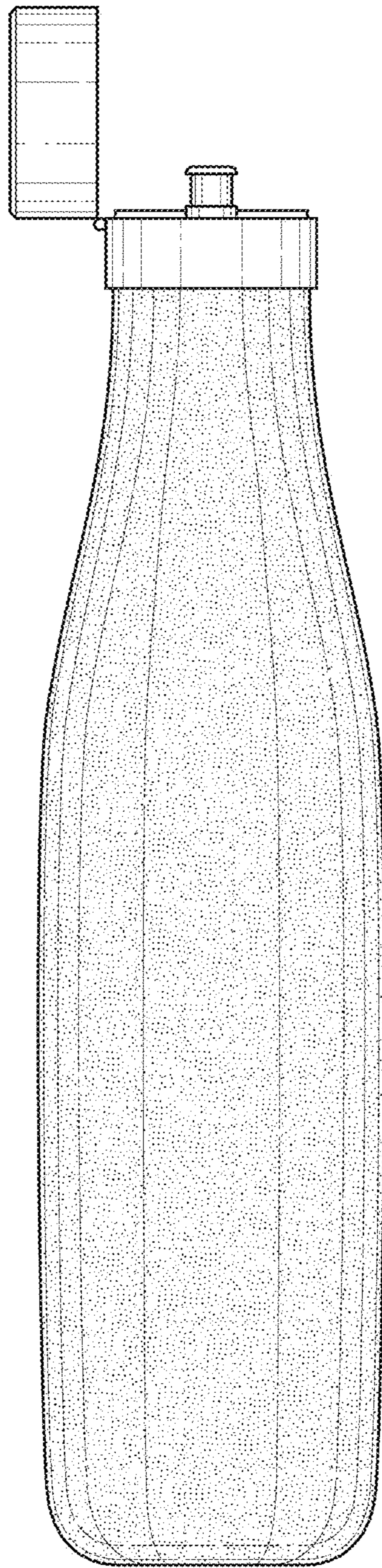


FIG. 5

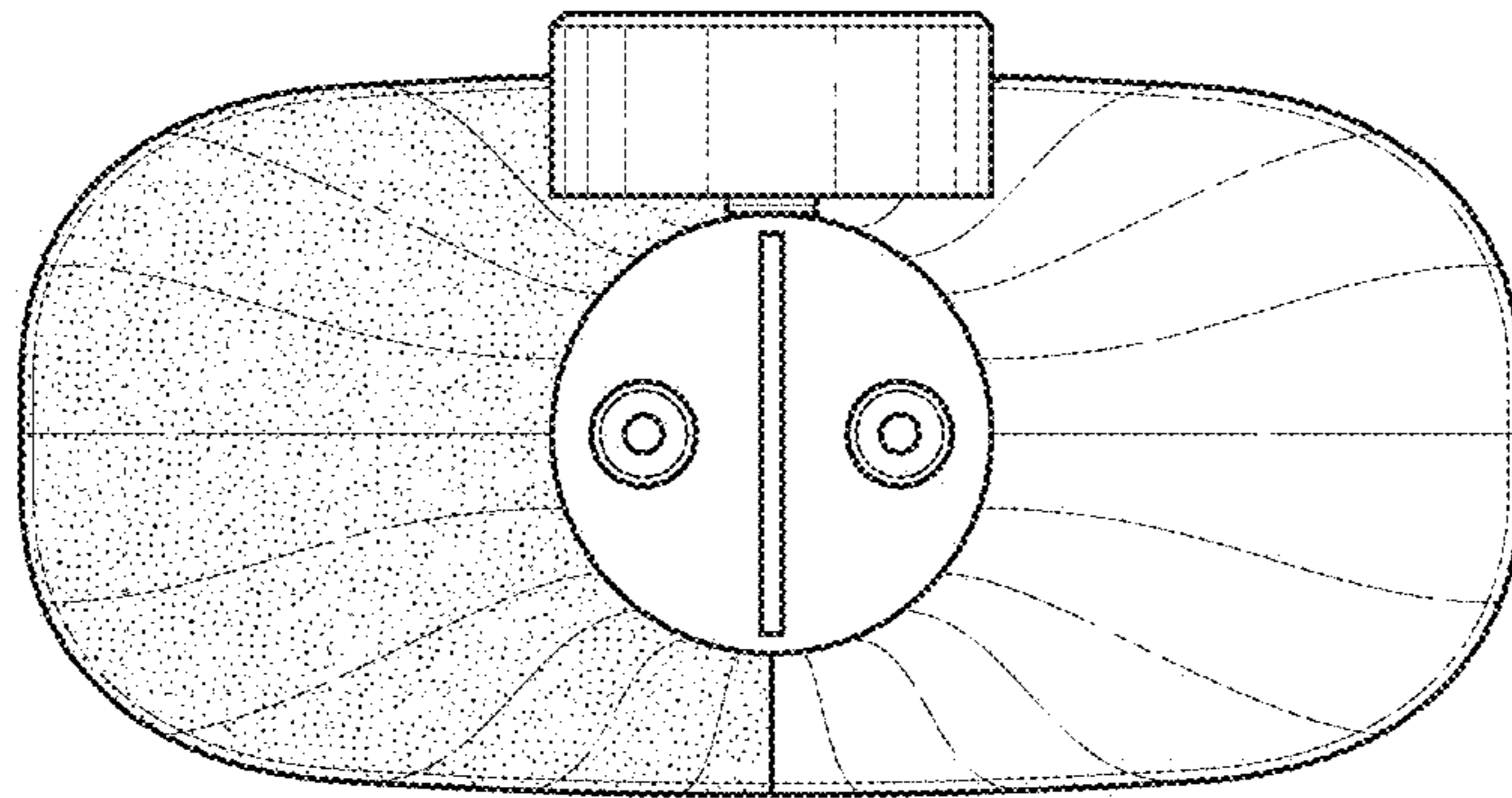


FIG. 6

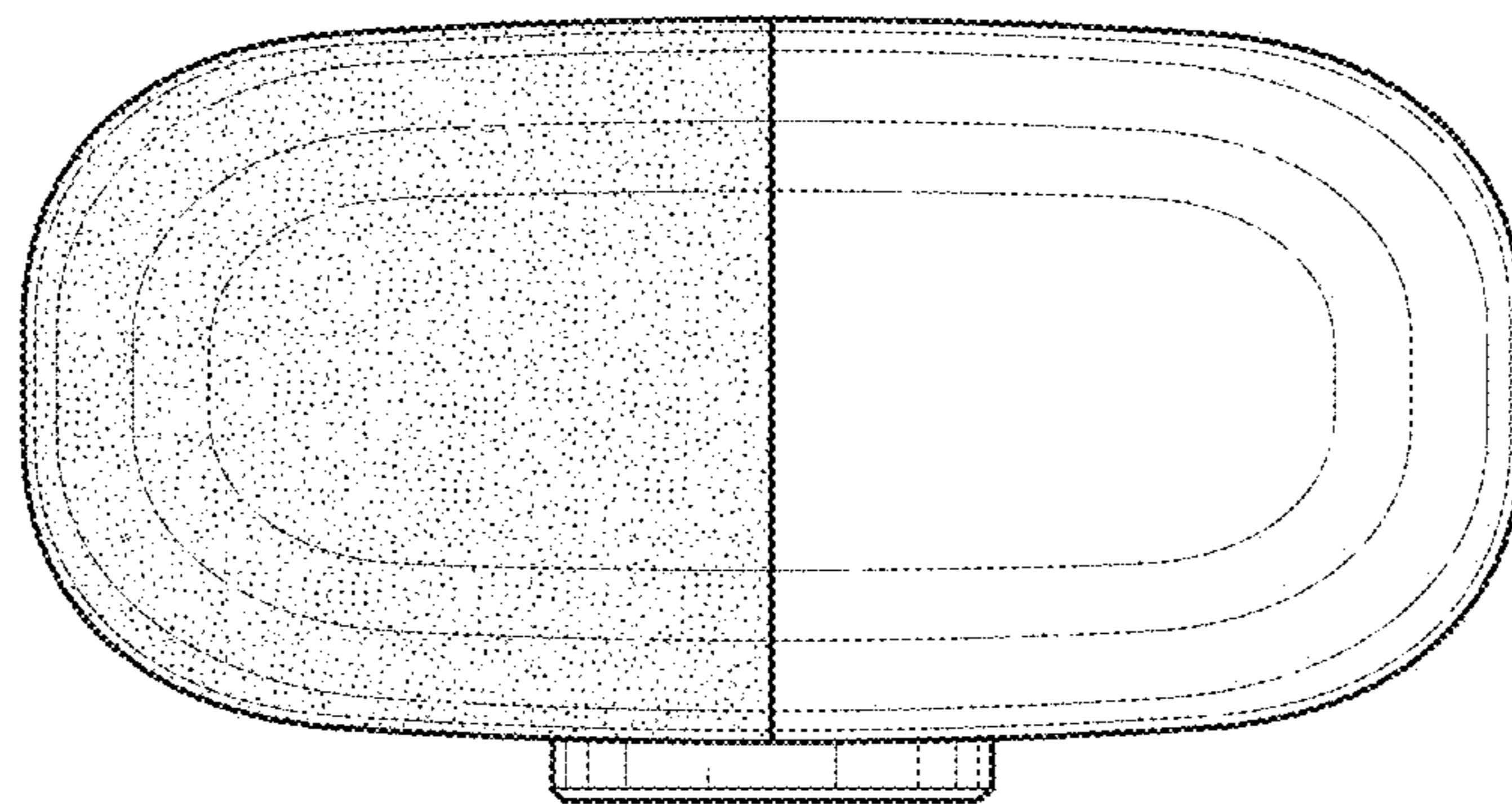


FIG. 7