



US00D805400S

(12) **United States Design Patent** (10) **Patent No.:** **US D805,400 S**  
**Shoshan et al.** (45) **Date of Patent:** **\*\* Dec. 19, 2017**

(54) **TRAY**

(71) Applicants: **FiveStar Gourmet Foods, Inc.**,  
Ontario, CA (US); **Direct Pack, Inc.**,  
Azusa, CA (US)

(72) Inventors: **Tal Shoshan**, Alta Loma, CA (US);  
**Maria Angelica O. Garcia**, Anaheim,  
CA (US)

(73) Assignees: **FIVESTAR GOURMET FOODS,**  
**INC.**, Ontario, CA (US); **DIRECT**  
**PACK, INC.**, Azusa, CA (US)

(\*\*) Term: **15 Years**

(21) Appl. No.: **29/610,744**

(22) Filed: **Jul. 14, 2017**

(51) **LOC (10) Cl.** ..... **09-03**

(52) **U.S. Cl.**  
USPC ..... **D9/737**

(58) **Field of Classification Search**  
USPC ..... D9/341, 347, 414-432, 440, 444, 447,  
D9/449, 450-454, 503, 504, 737, 759,  
D9/761; D7/672, 601, 550.1, 551.1,  
D7/551.2, 551.3, 552.1, 552.2, 553.1,  
D7/553.2, 553.3, 553.4, 553.5, 553.7,  
D7/553.8, 554.1, 554.3, 555, 557, 602,  
D7/629, 630, 538-542, 612-615, 584,  
D7/586, 587, 392.1, 709, 608, 622, 701,  
D7/703, 543-549, 317-319, 391, 392,  
D7/396.2, 510, 511; D3/273, 201-206,  
D3/276, 283, 284, 295, 274, 302;  
229/107, 406, 120, 125.17; 220/669-673,  
220/675, 574-575, 573.1, 4.21, 660, 326,  
220/236, 780-806, 4.24, 288, 260, 266,  
220/306, 352, 356, 523, 23.8, 23.2, 23.83,  
220/23.4, 662, 792-799, 700, 701, 703,  
220/711, 713-715, 719; 426/106;  
206/216, 217, 541-550, 518, 557, 558,  
206/561, 564, 223, 467; 215/211, 200,  
215/224, 243; 249/126, 134

(Continued)

(56) **References Cited**

U.S. PATENT DOCUMENTS

3,207,302 A \* 9/1965 Hobbs ..... A61M 5/002  
206/366  
D222,312 S \* 10/1971 Kurtz et al. .... D24/117  
(Continued)

FOREIGN PATENT DOCUMENTS

WO WO 2012/027190 3/2012

OTHER PUBLICATIONS

Fabri-Kal Greenware GS6-3W 3-Compartment Clear PLA  
Compostable Container, available Nov. 18, 2016, [online], [site  
visited Aug. 14, 2017]. Available from internet, <URL: <https://www.webstaurantstore.com/fabri-kal-greenware-gs6-3w-3-compartment-clear-pla-compostable-container-pack/999GS63W.html>.\*

(Continued)

*Primary Examiner* — Cathron Brooks

*Assistant Examiner* — Teddy Falloway

(74) *Attorney, Agent, or Firm* — Frost Brown Todd LLC

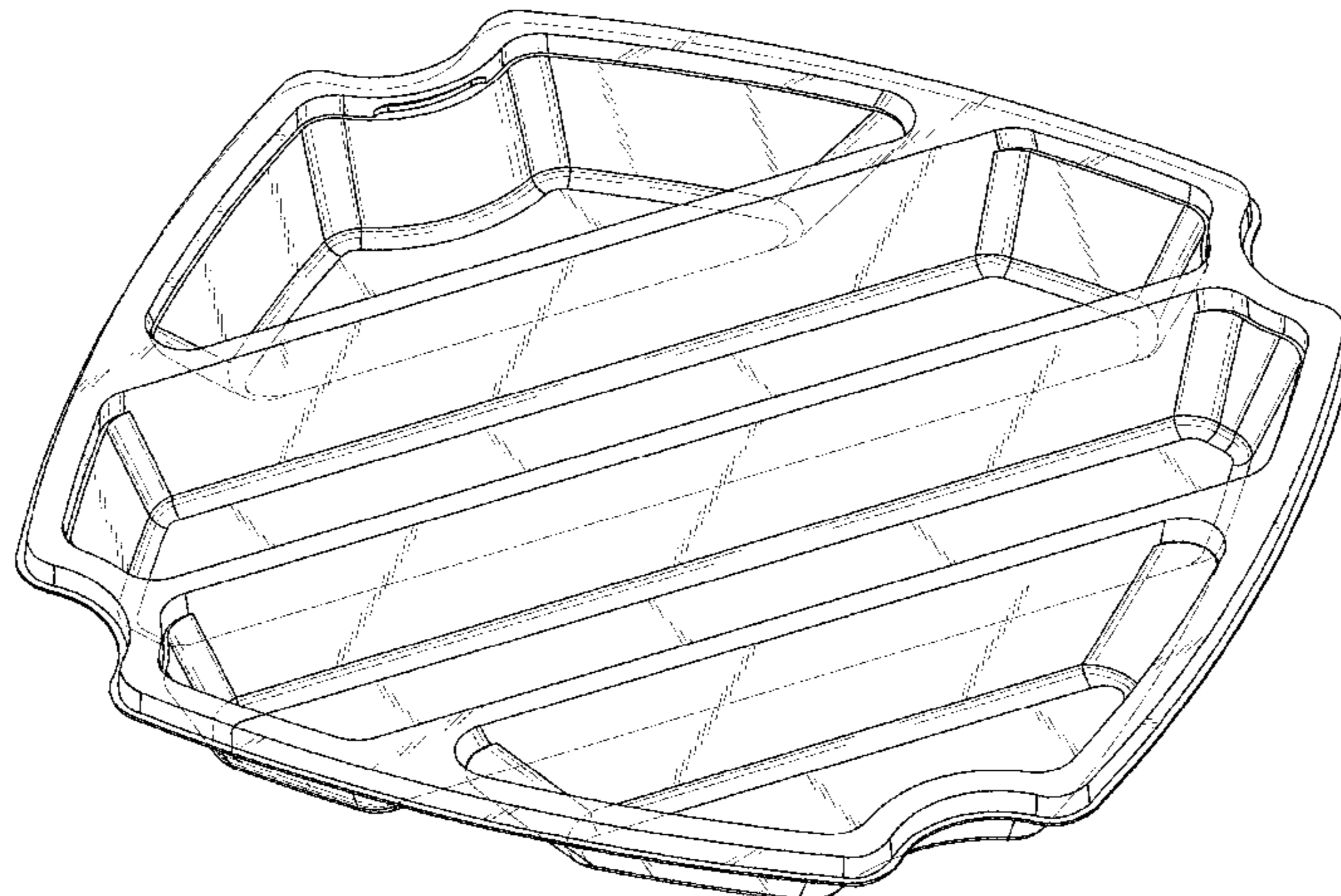
(57) **CLAIM**

The ornamental design for a tray, as shown and described.

**DESCRIPTION**

FIG. 1 is a top perspective view of the tray;  
FIG. 2 is a bottom perspective view thereof;  
FIG. 3 is a front elevation view thereof;  
FIG. 4 is a rear elevation view thereof;  
FIG. 5 is a left elevation view thereof;  
FIG. 6 is a right elevation view thereof;  
FIG. 7 is a top plan view thereof; and,  
FIG. 8 is a bottom plan view thereof.

**1 Claim, 8 Drawing Sheets**



- (58) **Field of Classification Search**  
 CPC ..... A47G 19/00; A47G 19/02; A47G 19/065;  
 B65D 1/34; B65D 1/026; B65D 21/00;  
 B65D 21/0204  
 See application file for complete search history.

(56) **References Cited**

U.S. PATENT DOCUMENTS

D293,193 S \* 12/1987 Vandervoort ..... D7/354  
 D336,406 S \* 6/1993 Wytiuk ..... D3/311  
 D419,869 S \* 2/2000 Loew ..... D9/761  
 D454,489 S \* 3/2002 Enciso ..... D9/425  
 6,637,721 B1 \* 10/2003 Zonca ..... F25C 1/24  
 249/119  
 D616,250 S \* 5/2010 Peyton ..... D7/553.3  
 D679,952 S \* 4/2013 Holding ..... D7/550.1  
 D693,178 S \* 11/2013 Wilson ..... D7/553.2  
 D698,665 S \* 2/2014 Sifuentes ..... D9/425  
 D698,666 S \* 2/2014 Sifuentes ..... D9/425  
 D698,667 S \* 2/2014 Snedden ..... D9/425  
 D723,391 S \* 3/2015 Snedden ..... D9/425  
 D723,392 S \* 3/2015 Sifuentes ..... D9/425  
 D728,383 S \* 5/2015 Sifuentes ..... D9/425  
 D734,146 S \* 7/2015 Fischer ..... D9/424  
 D736,013 S \* 8/2015 Williams ..... D6/675  
 D740,615 S \* 10/2015 Shoshan ..... D7/553.2  
 9,150,326 B2 10/2015 Landry  
 D752,392 S \* 3/2016 Maas ..... D7/553.1

D768,000 S \* 10/2016 Prueksapornpong ..... D9/425  
 D772,068 S 11/2016 Zheng et al.  
 D772,078 S 11/2016 Shoshan et al.  
 D778,115 S 2/2017 Strachan  
 9,565,929 B2 2/2017 Flannery et al.  
 D782,333 S \* 3/2017 Shoshan ..... D9/737  
 D784,769 S 4/2017 Beckman et al.  
 D785,406 S 5/2017 Wansink  
 D786,621 S 5/2017 Davis  
 D787,889 S 5/2017 Patel  
 D790,283 S 6/2017 Willis  
 2009/0294454 A1 \* 12/2009 Harding ..... A47G 21/004  
 220/574.1  
 2016/0278915 A1 9/2016 Glick et al.  
 2017/0121089 A1 5/2017 Gillblad

OTHER PUBLICATIONS

Black Rectangular 3 Diagonal Compartment Plastic Container, available Aug. 16, 2017, [online], [site visited Aug. 16, 2017]. Available from internet, <URL: <https://www.webstaurantstore.com/dart-solo-b30dx3-clearpac-30-oz-black-rectangular-3-diagonal-compartment-plastic-container-252-case/301B30DX3.html>>.\*  
 Diagonal Space Saving Bamboo Drawer and Cabinet Organizer Divider fits Drawers 17"×12"×2.5" by Eco Kitchenware, download Jul. 14, 2017 from <https://www.amazon.com/Diagonal-Cabinet-Organizer-Eco-Kitchenware/dp/B01HYDFIKW>, 8 pgs.

\* cited by examiner

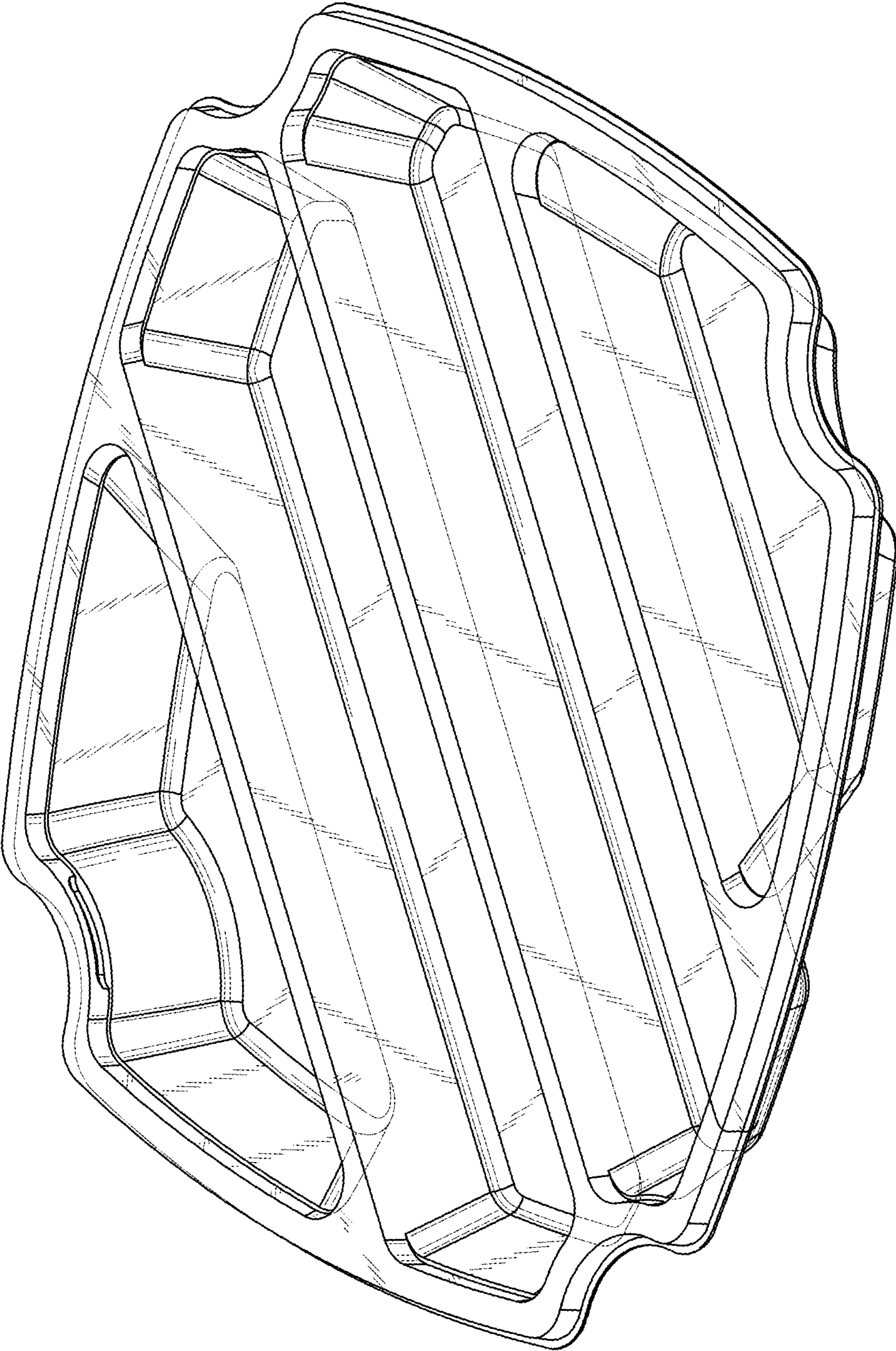


FIG. 1

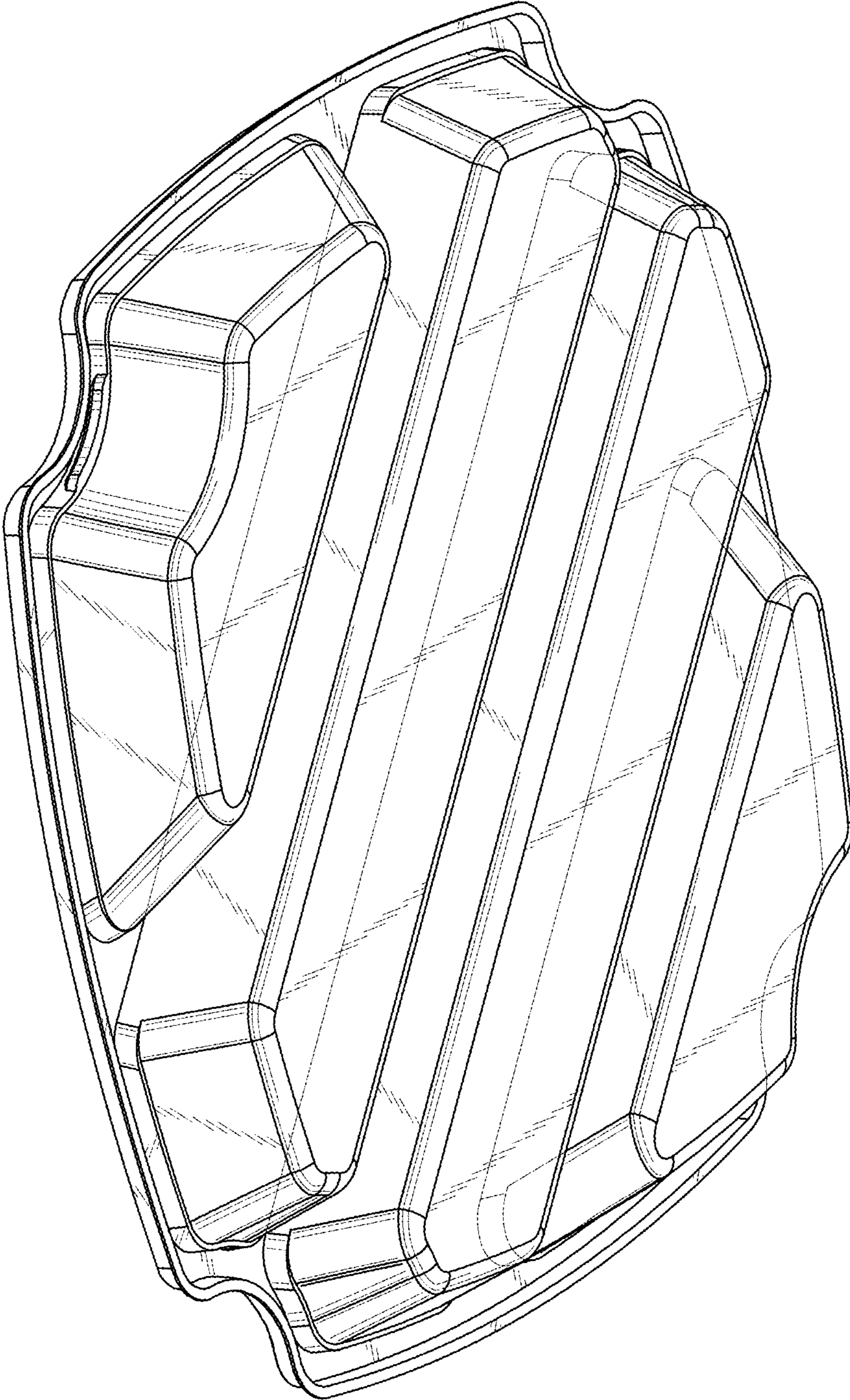


FIG. 2

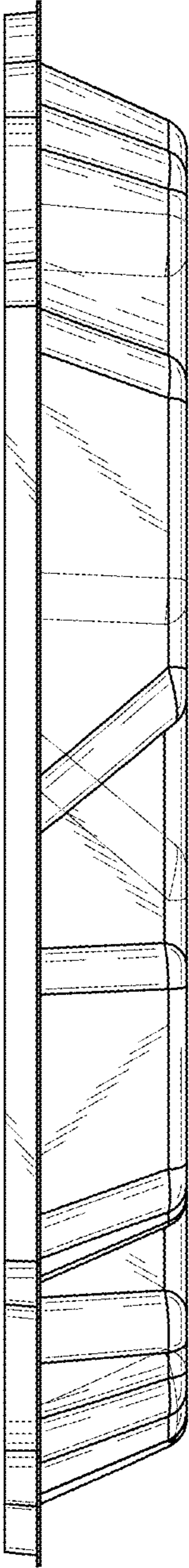


FIG. 3

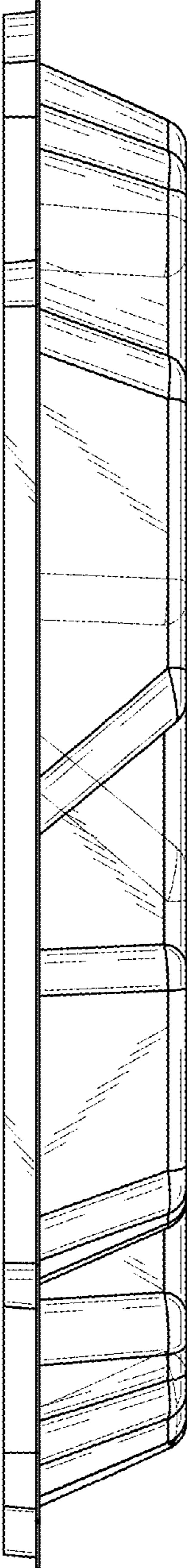


FIG. 4

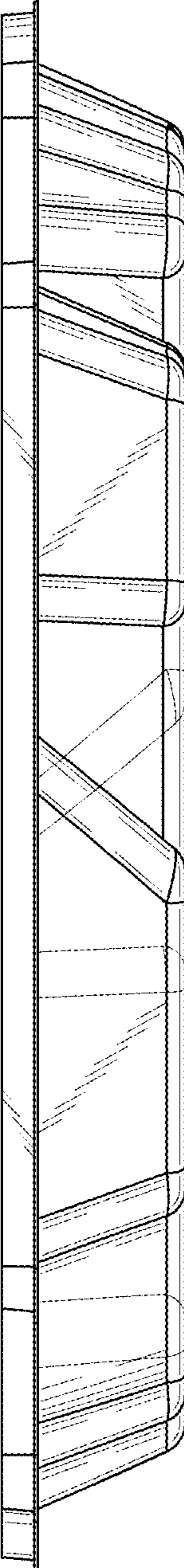


FIG. 5

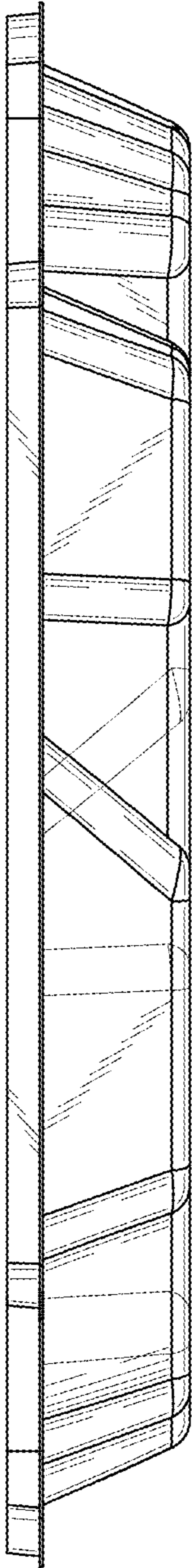


FIG. 6



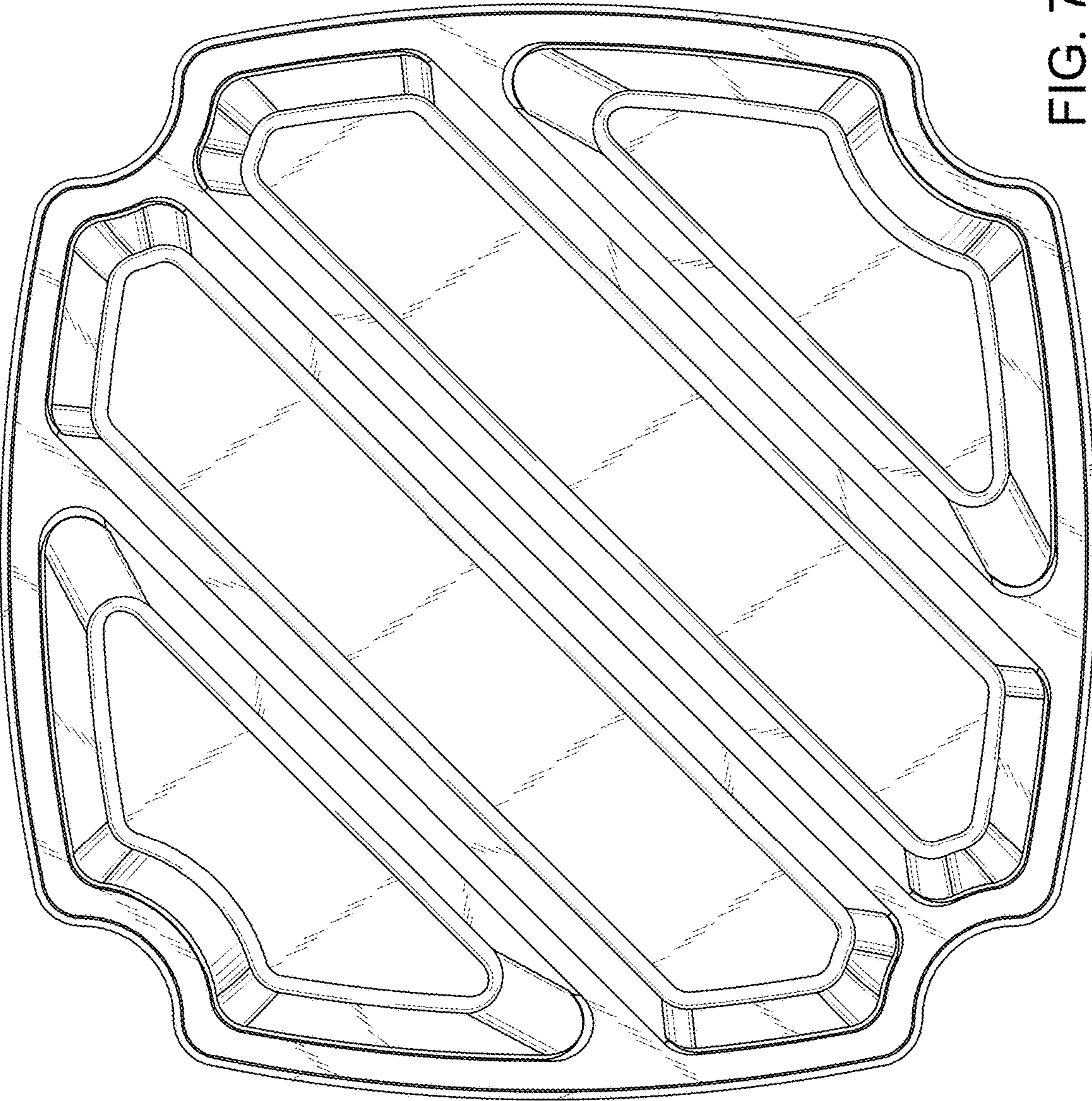


FIG. 7

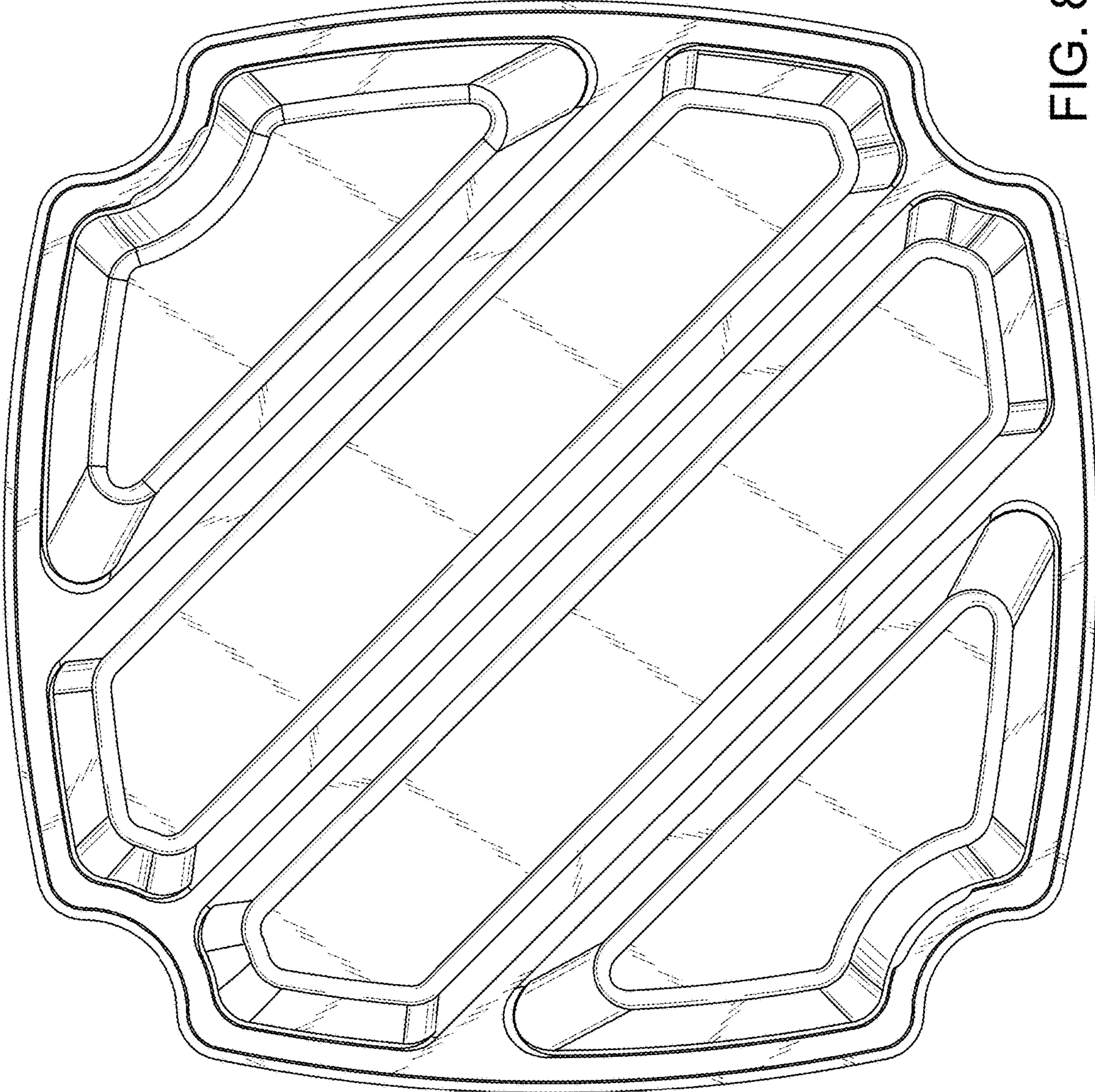


FIG. 8