



US00D805394S

(12) **United States Design Patent**  
**Riboli et al.**

(10) **Patent No.:** **US D805,394 S**

(45) **Date of Patent:** **\*\* Dec. 19, 2017**

(54) **BOTTLE**

(71) Applicants: **Steve Riboli**, Sierra Madre, CA (US);  
**Gianfranco Santero**, Santo Stefano  
Belbo (IT); **Roberto Bartolozzi**,  
Montelupo Fiorentino (IT)

(72) Inventors: **Steve Riboli**, Sierra Madre, CA (US);  
**Gianfranco Santero**, Santo Stefano  
Belbo (IT); **Roberto Bartolozzi**,  
Montelupo Fiorentino (IT)

(73) Assignee: **San Antonio Winery, Inc.**, Los  
Angeles, CA (US)

(\*\*) Term: **14 Years**

(21) Appl. No.: **29/517,790**

(22) Filed: **Feb. 17, 2015**

(51) **LOC (10) Cl.** ..... **09-01**

(52) **U.S. Cl.**  
USPC ..... **D9/555; D9/558**

(58) **Field of Classification Search**  
USPC ..... D9/436, 454, 516, 520, 529, 530, 549,  
D9/550, 553, 556, 558, 715, 719  
CPC . B65D 1/02; B65D 1/023; B65D 1/04; B65D  
1/06; B65D 1/08; B65D 1/14  
See application file for complete search history.

(56) **References Cited**

**U.S. PATENT DOCUMENTS**

D95,590 S *	5/1935	Kessler	.....	D9/548
D95,989 S *	6/1935	Sakier	.....	D9/545
D98,077 S *	1/1936	Laird	.....	D9/550
D98,730 S *	2/1936	Mchullough	.....	D9/550
D99,409 S *	4/1936	Meyer	.....	D9/550
D103,164 S *	2/1937	Smith	.....	D9/550
D104,179 S *	4/1937	Berk	.....	D9/527
D104,479 S *	5/1937	Steeleman	.....	D9/543

D105,235 S *	7/1937	Steeleman	.....	D9/545
D211,155 S *	5/1968	Knowles	.....	D7/300
D356,952 S *	4/1995	Daucourt	.....	D9/545
D399,755 S *	10/1998	Daraut	.....	D9/545
D409,497 S *	5/1999	Daraut	.....	D9/550
D643,736 S *	8/2011	Lagerqvist	.....	D9/550
D644,111 S *	8/2011	Williams	.....	D9/550
D644,113 S *	8/2011	Williams	.....	D9/550
D671,417 S *	11/2012	Kornestedt	.....	D9/546

**OTHER PUBLICATIONS**

Digital Image of wine bottle; Frances Ford Coppola Gia Pinot Noir.  
(Continued)

*Primary Examiner* — Ian Simmons

*Assistant Examiner* — Keith Frank

(74) *Attorney, Agent, or Firm* — Jeffrey G. Sheldon; Cislo  
& Thomas

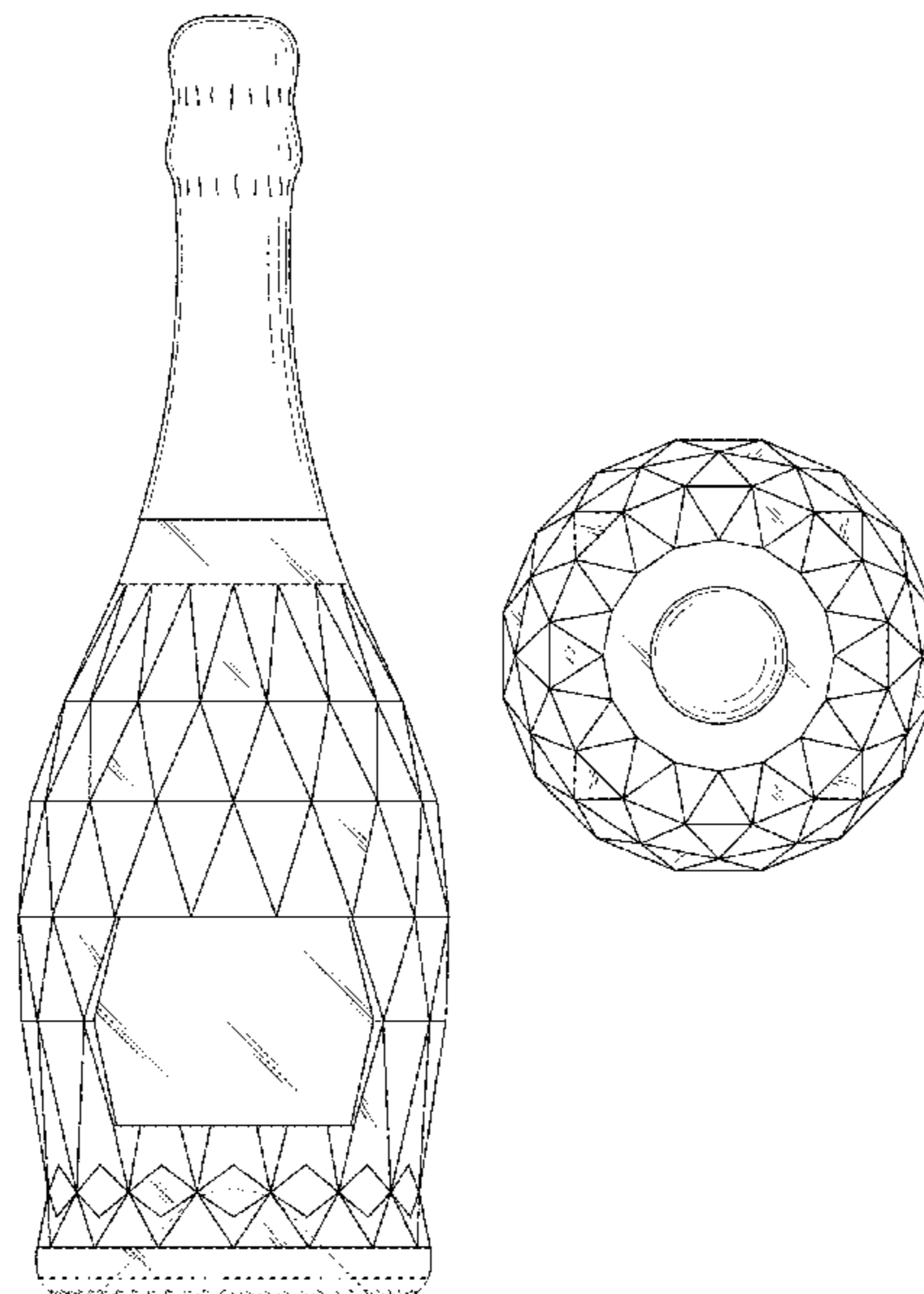
(57) **CLAIM**

The ornamental design for a bottle, as shown and described.

**DESCRIPTION**

FIG. 1 is a perspective view of a first embodiment of a bottle according to our new design;  
FIG. 2 is a front elevation view of the bottle of FIG. 1;  
FIG. 3 is a rear elevation view of the bottle of FIG. 1;  
FIG. 4 is a right side elevation view of the bottle of FIG. 1 wherein the left side view is a mirror image thereof;  
FIG. 5 is a top plan view of the bottle of FIG. 1;  
FIG. 6 is a bottom plan view of the bottle of FIG. 1;  
FIG. 7 is a perspective view of a second embodiment of a bottle according to our new design; and,  
FIG. 8 is a rear elevation view of the bottle of FIG. 7.  
The evenly dashed broken lines in the drawings showing the bottle illustrate the portions of the bottle that form no part of the claimed design.

**1 Claim, 4 Drawing Sheets**



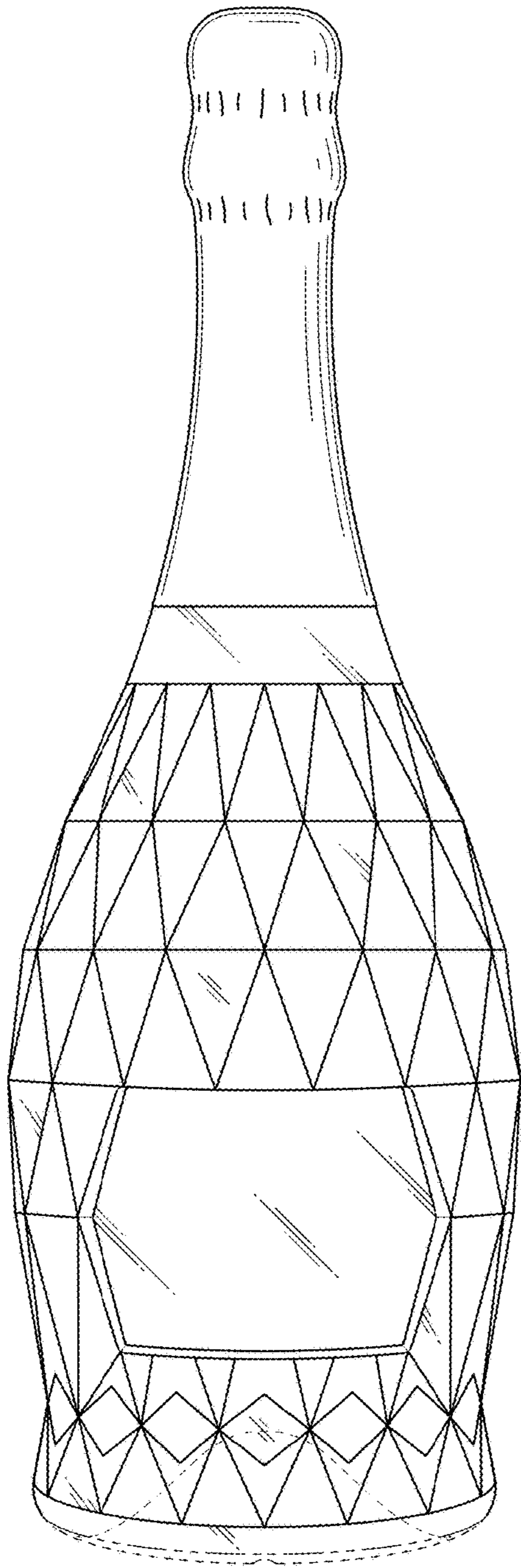
(56)

**References Cited**

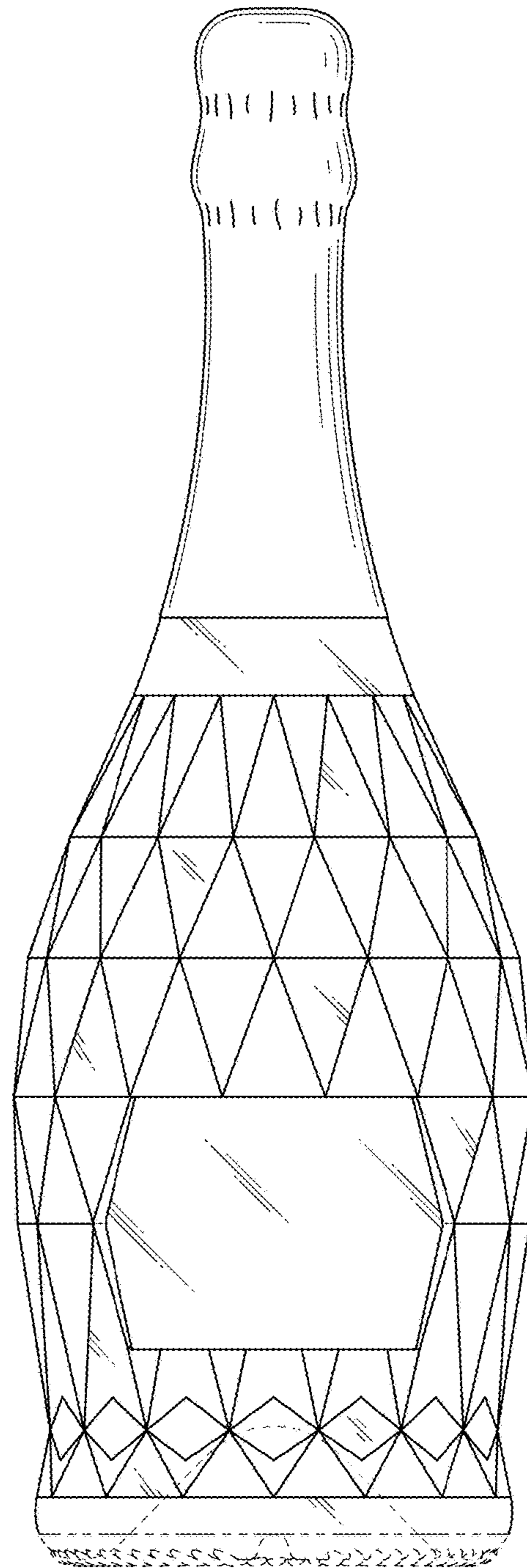
OTHER PUBLICATIONS

Digital Image of Vodka Bottle; Purity Vodka.  
Digital Image of Prestige Astoria Prosecco.  
Digital Image of Gold Spirits Pink Vodka Gold in Diamond.  
Digital Image of Precious Vodka at Prestige Spirits.

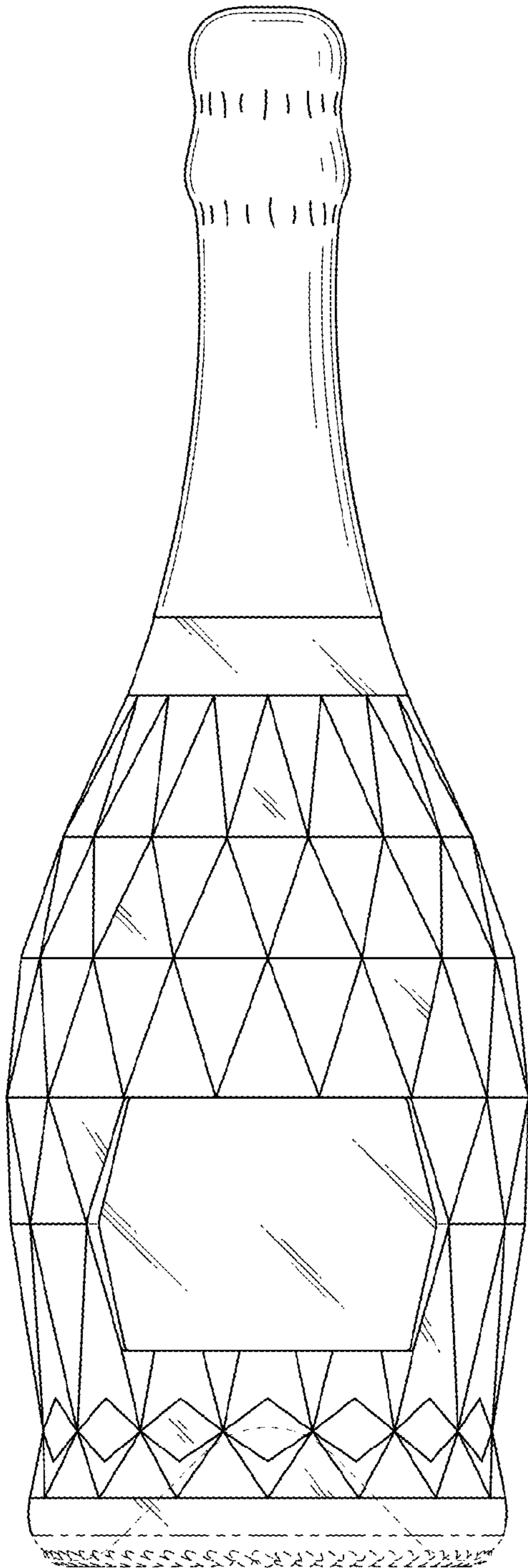
\* cited by examiner



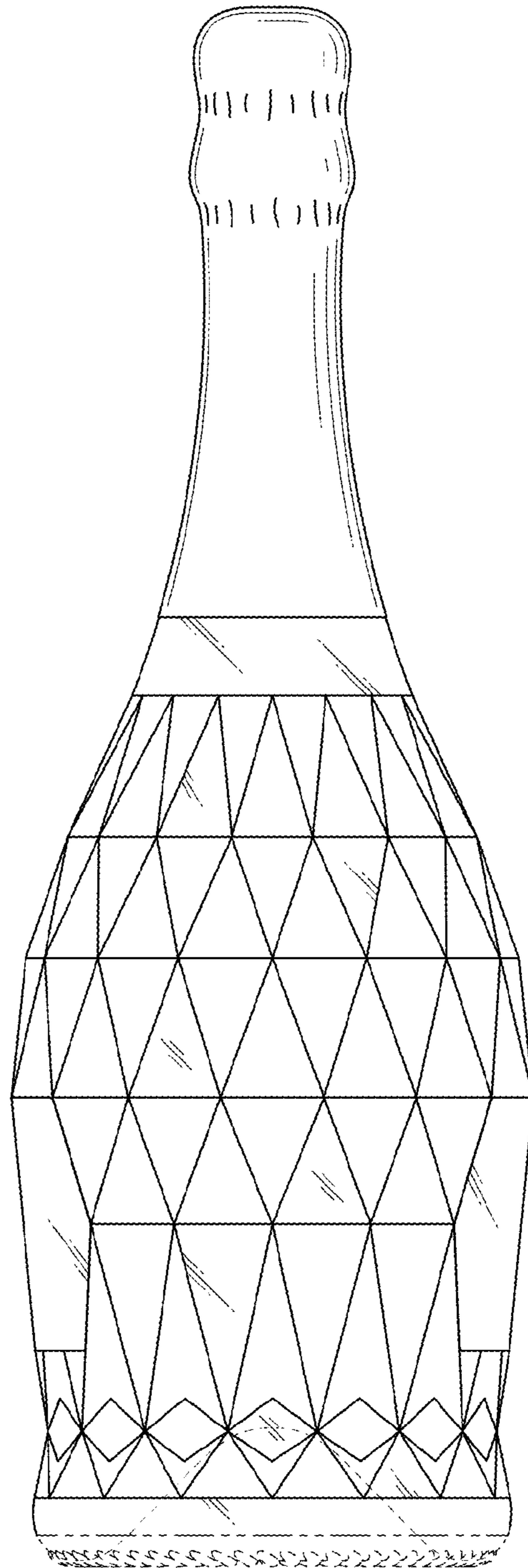
*FIG. 1*



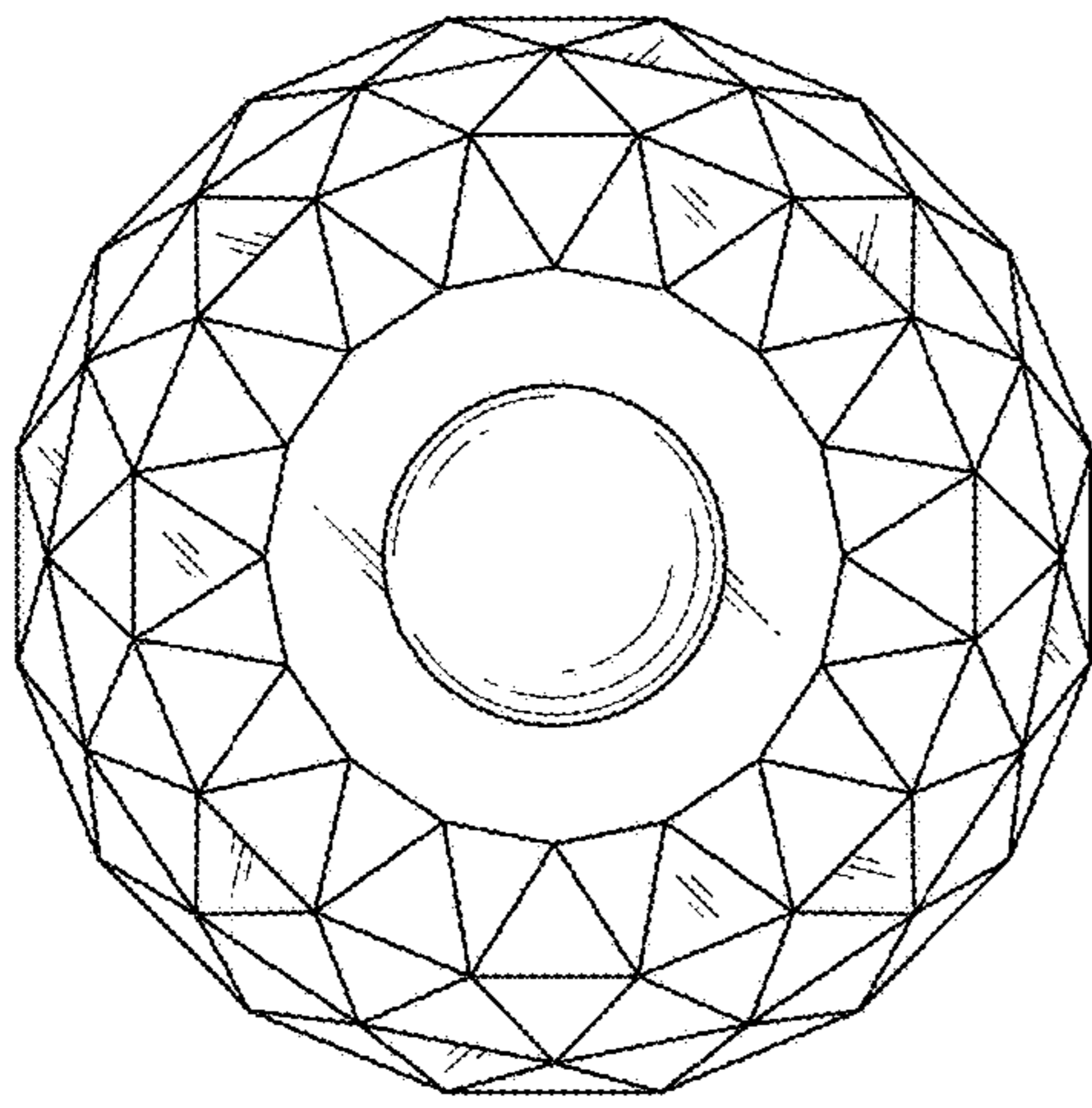
*FIG. 2*



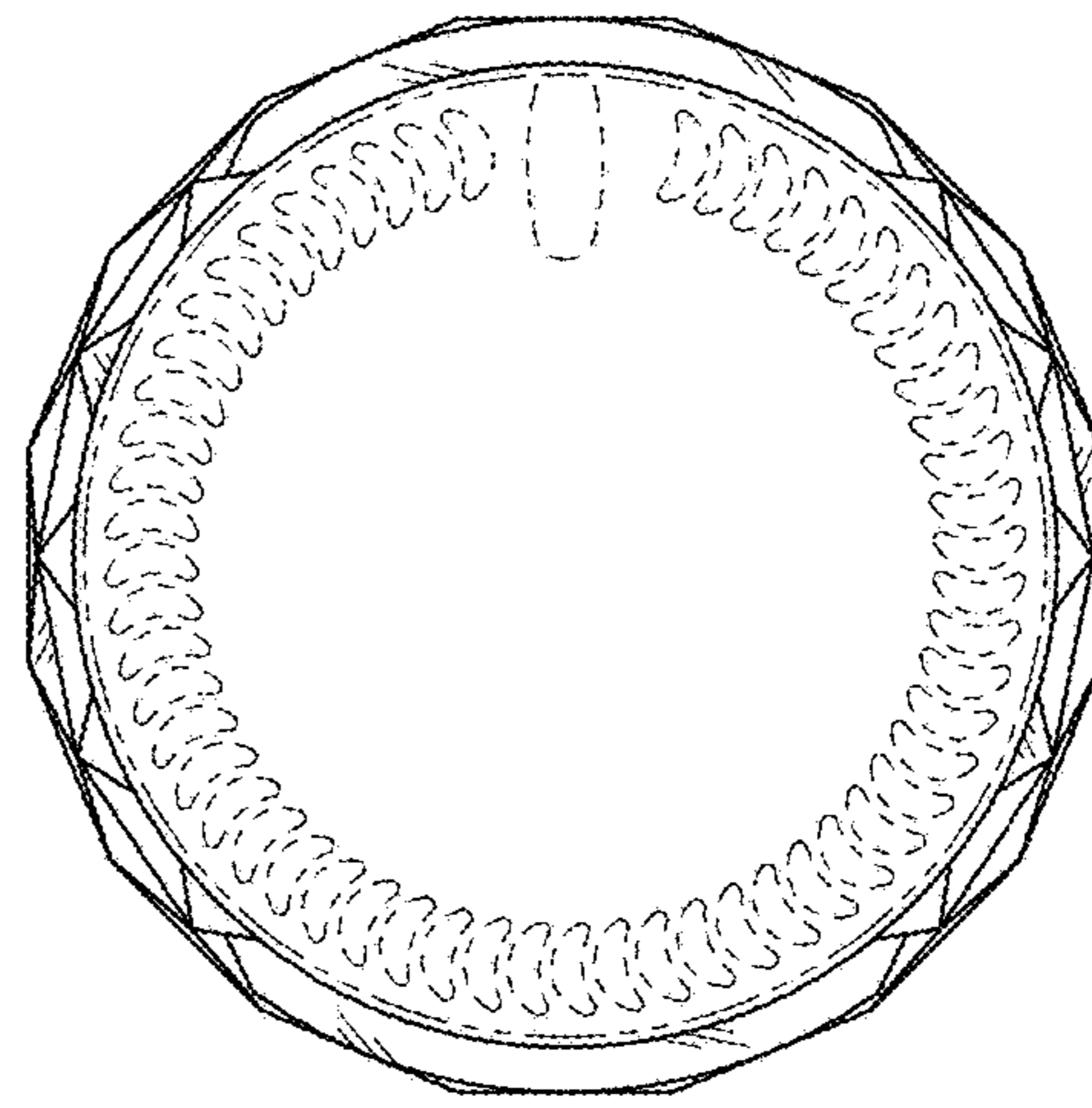
*FIG. 3*



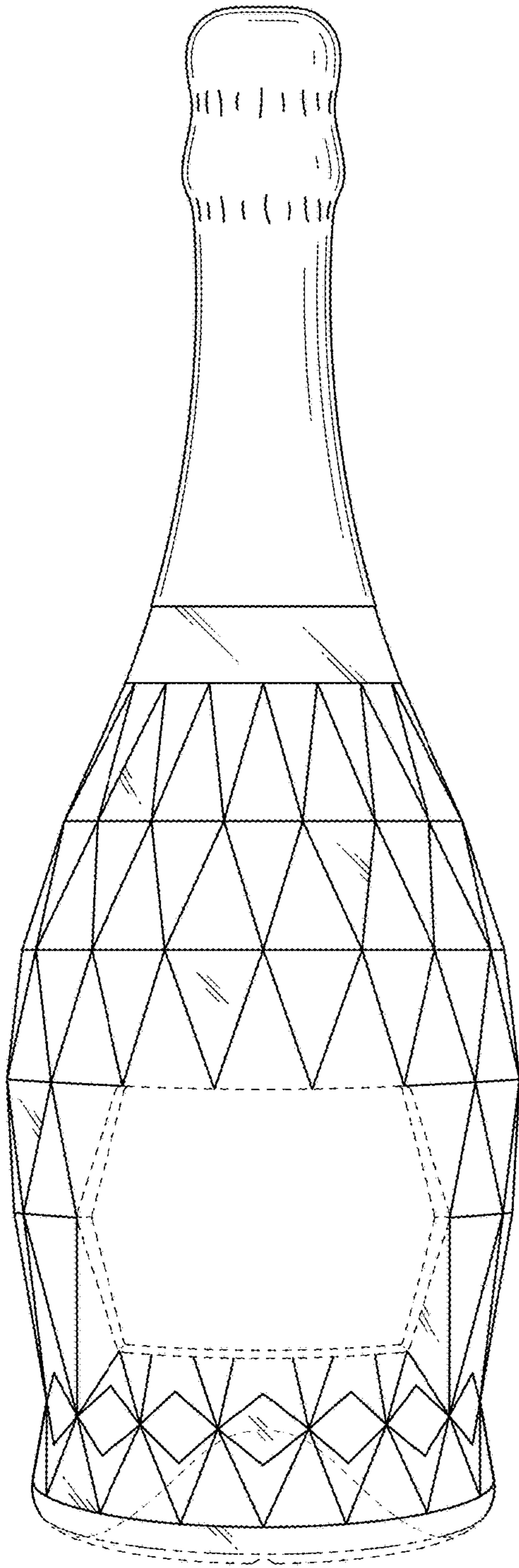
*FIG. 4*



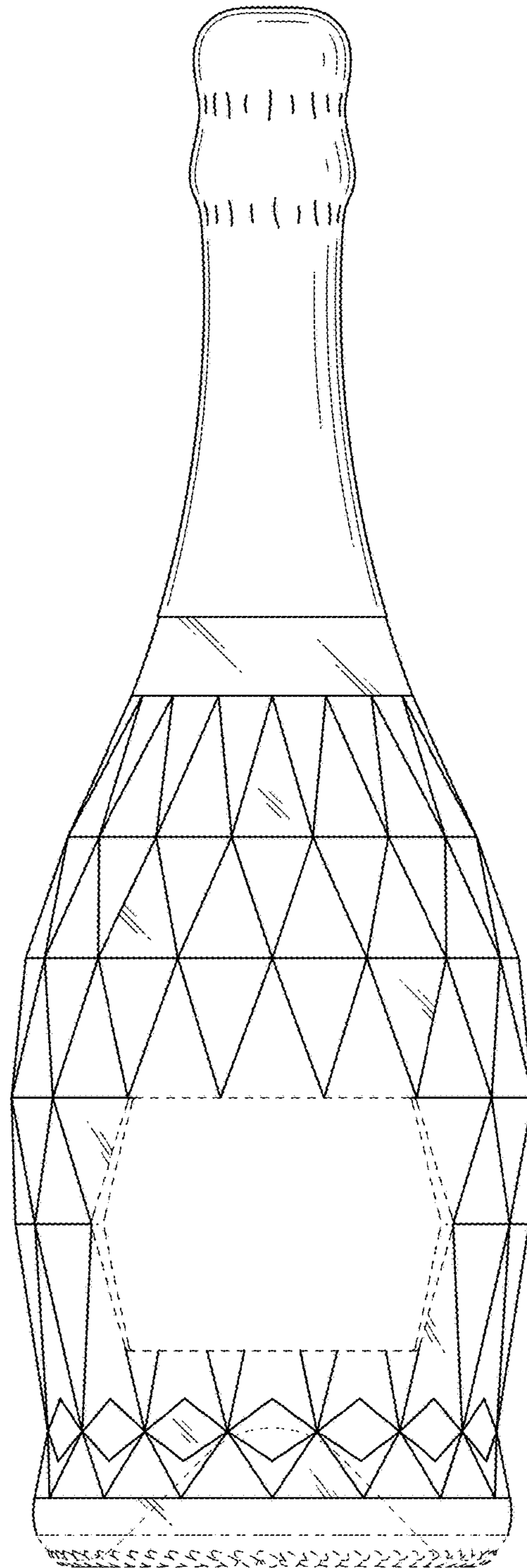
*FIG. 5*



*FIG. 6*



*FIG. 7*



*FIG. 8*