



US00D805388S

(12) **United States Design Patent**  
**Jeong**

(10) **Patent No.:** **US D805,388 S**

(45) **Date of Patent:** **\*\* Dec. 19, 2017**

- (54) **PACKAGING CONTAINER**
- (71) Applicant: **LG HOUSEHOLD & HEALTH CARE LTD.**, Seoul (KR)
- (72) Inventor: **Song Eun Jeong**, Seoul (KR)
- (73) Assignee: **LG HOUSEHOLD & HEALTH CARE LTD.**, Seoul (KR)
- (\*\*) Term: **15 Years**
- (21) Appl. No.: **29/528,807**
- (22) Filed: **Jun. 1, 2015**
- (51) **LOC (10) Cl.** ..... **09-01**
- (52) **U.S. Cl.**  
USPC ..... **D9/516; D9/551; D9/558**
- (58) **Field of Classification Search**  
USPC ..... D9/414, 428, 434, 439, 441, 451, 452, D9/455, 456, 416, 517, 529, 549, 551, D9/651, 700, 715, 718, 737-740, 756; D7/396.4, 396.5, 560, 562; D28/38, 73, D28/77, 89, 90, 67; D6/703.3, 517; D11/3, 26, 40  
CPC ..... B65D 2543/00416; B65D 2543/00694; B65D 2543/00805; B65D 2543/00972; B65D 5/5028; A45D 33/00; A45D 33/006; A47F 7/0028  
See application file for complete search history.

- D451,045 S \* 11/2001 Ambar ..... D11/26
- D453,486 S \* 2/2002 Zillig ..... D11/26
- D454,982 S \* 3/2002 Renfrew ..... D28/61
- D519,780 S \* 5/2006 Lai ..... D5/7
- D520,812 S \* 5/2006 Hayes ..... D7/396.1

(Continued)

**FOREIGN PATENT DOCUMENTS**

KR 300825026.000 \* 5/2015

*Primary Examiner* — Ian Simmons

*Assistant Examiner* — Keith Frank

(74) *Attorney, Agent, or Firm* — Mintz Levin Cohn Ferris Glovsky and Popeo, P.C.; Kongsik Kim; Colleen H. Witherell

(57) **CLAIM**

The ornamental design for a packaging container, as shown and described.

**DESCRIPTION**

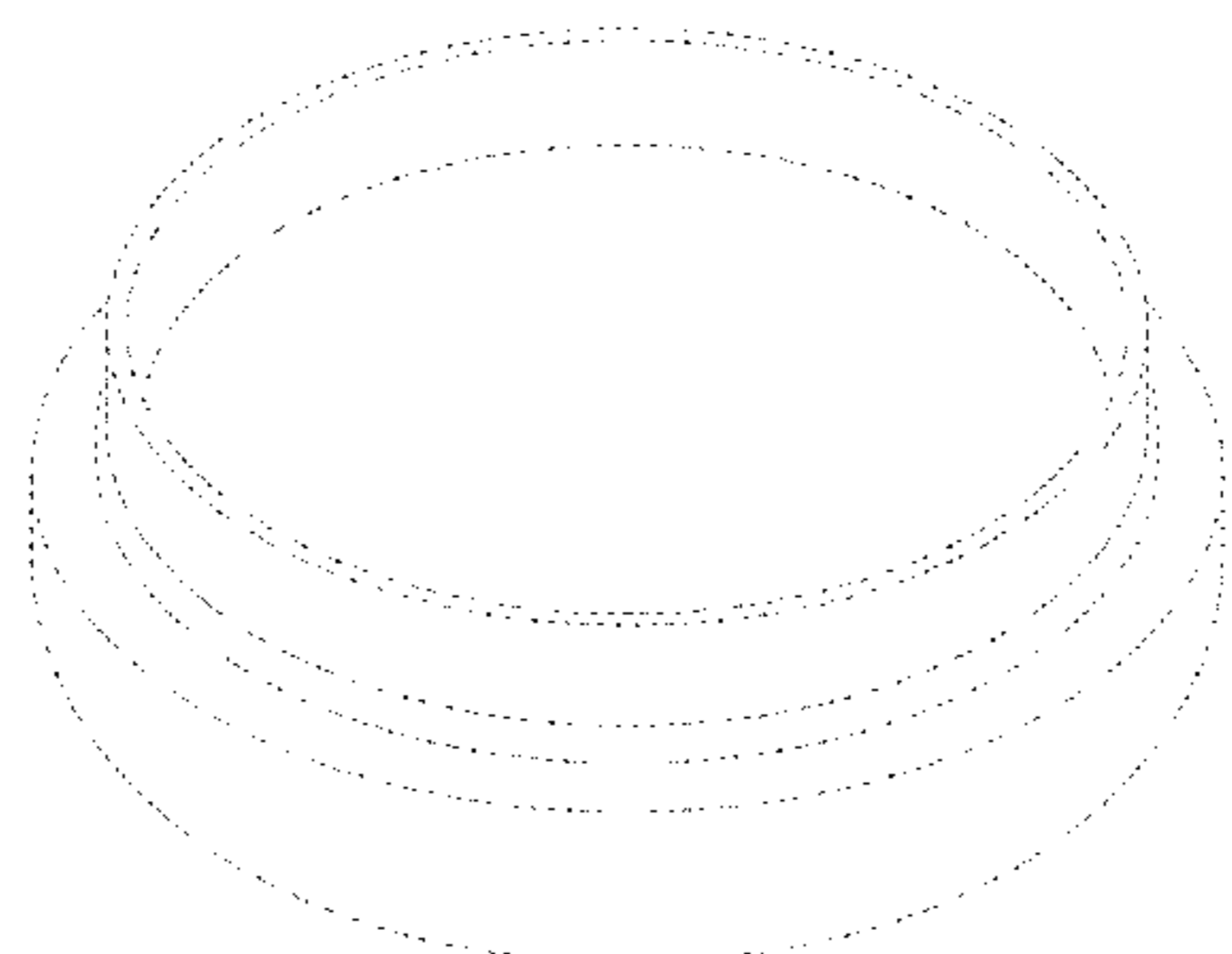
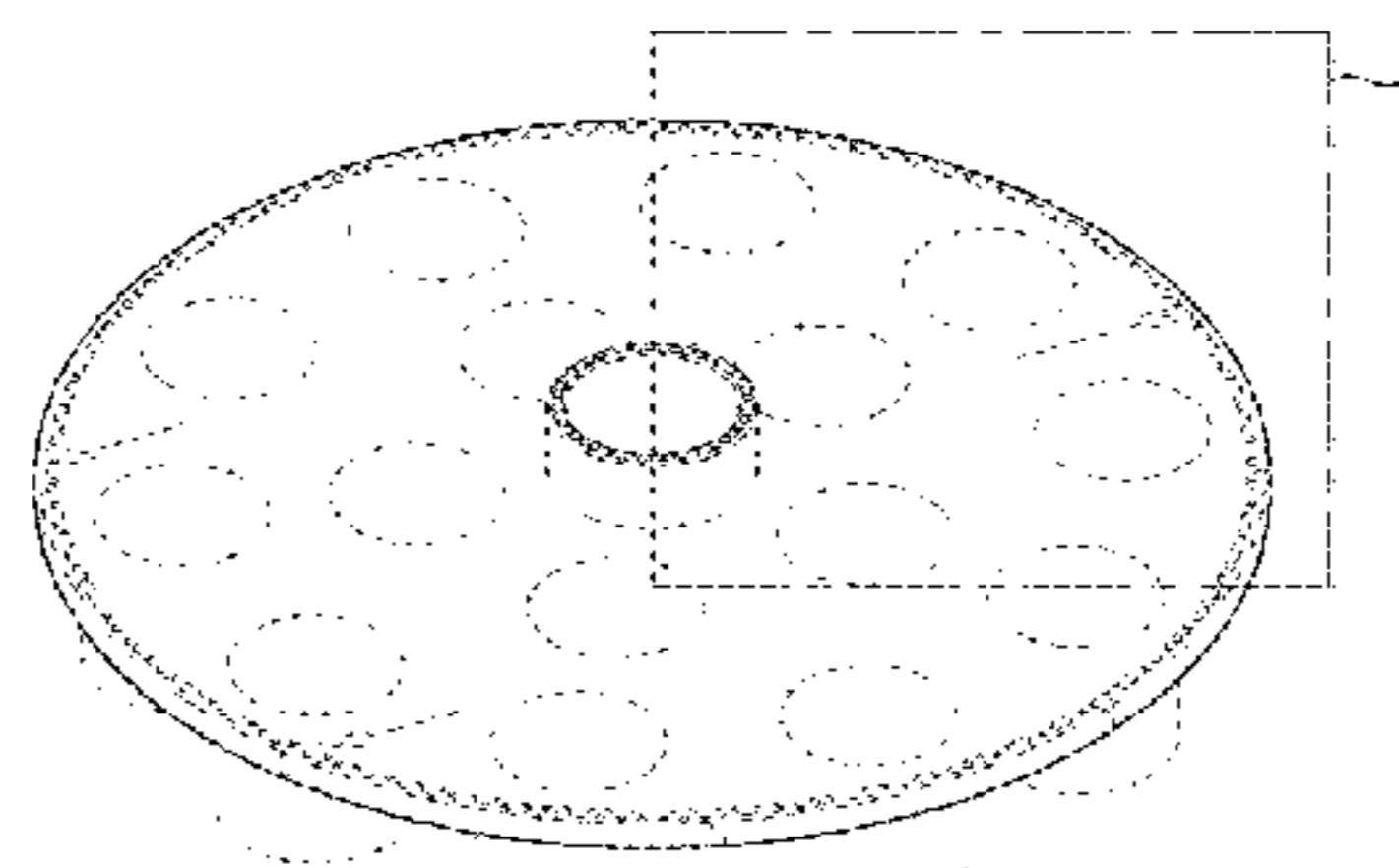
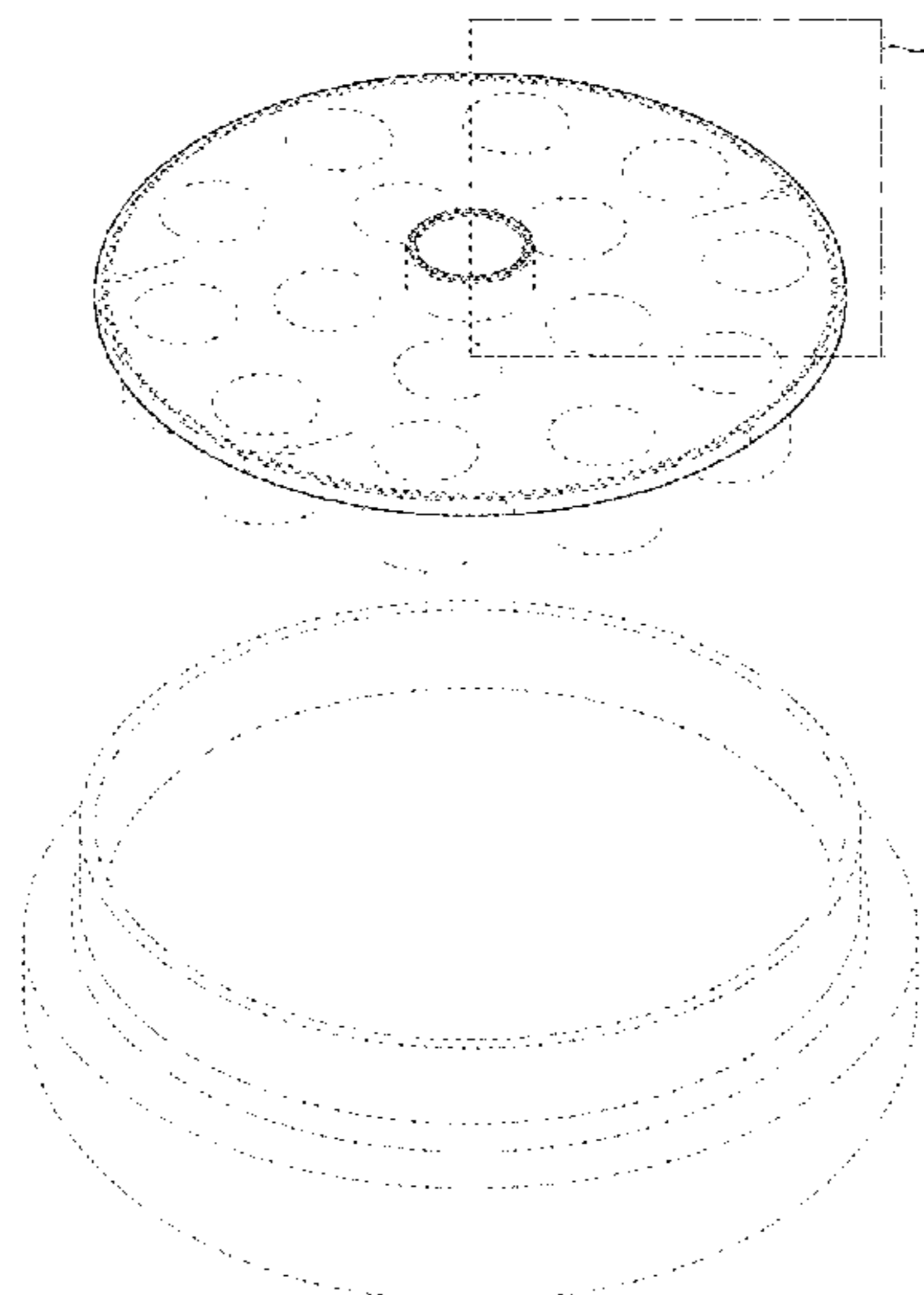
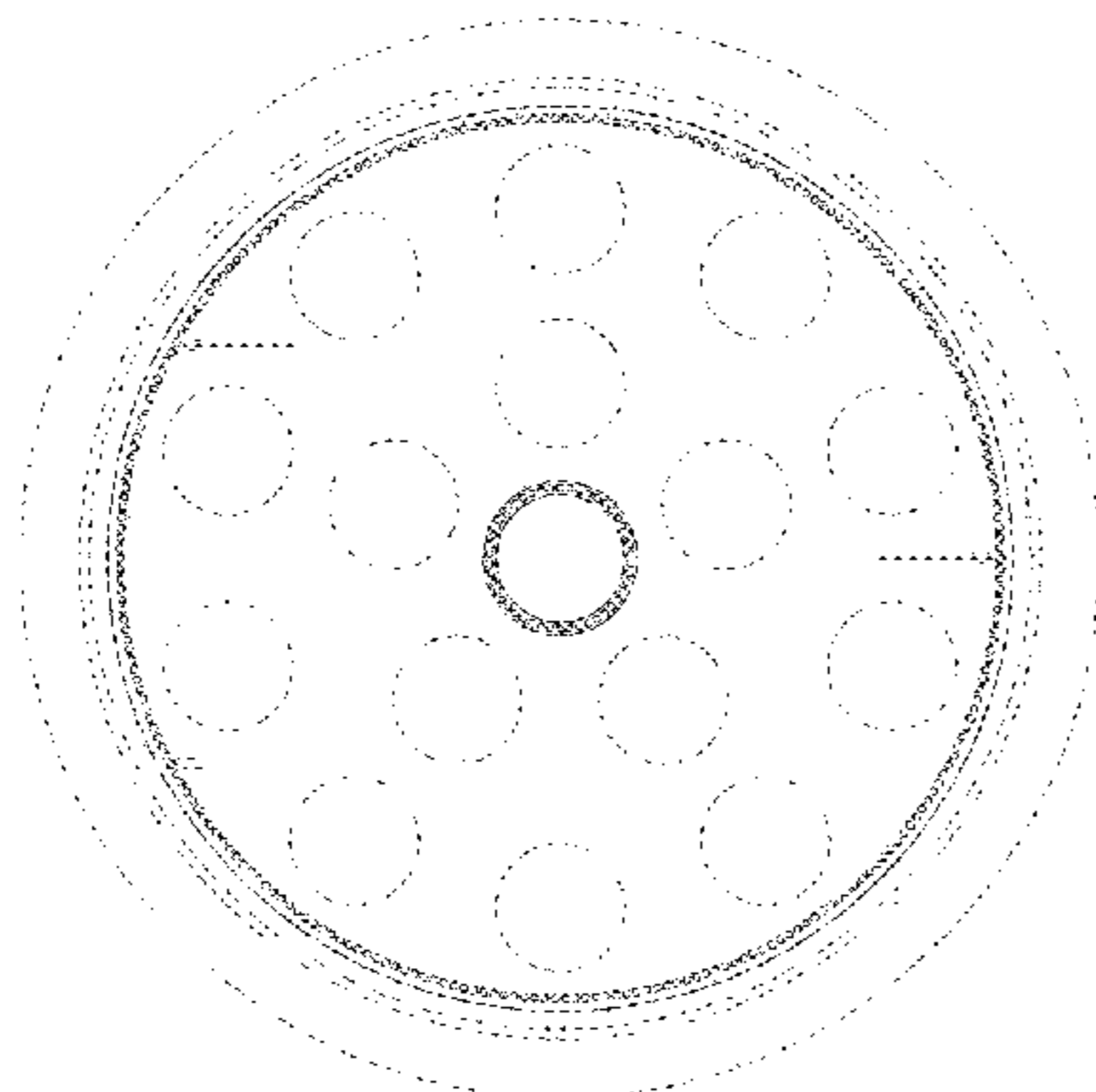
FIG. 1 is a perspective view of a packaging container. FIG. 2 is a front view of the packaging container of FIG. 1. FIG. 3 is a top view of the packaging container of FIG. 1. FIG. 4 is a bottom view of the packaging container of FIG. 1. FIG. 5 is a reference view of the packaging container of FIG. 1, which shows a disassembled state of the packaging container. FIG. 6 is another reference view of the packaging container of FIG. 1, in which objects are accommodated in the packaging container; and, FIG. 7 is an exploded reference view of FIG. 5, which shows a disassembled state of the packaging container. Rear, left side, and right side views are omitted as they each are same as the front view. The broken lines in the drawings showing the packaging container illustrate the portion of the packaging container that form no part of the claimed design.

**1 Claim, 7 Drawing Sheets**

(56) **References Cited**

**U.S. PATENT DOCUMENTS**

- D68,823 S \* 11/1925 Negbaur ..... D25/136
- D156,951 S \* 1/1950 Ganser ..... D7/557
- 3,658,071 A \* 4/1972 Wise ..... A45D 4/16  
132/233
- D274,852 S \* 7/1984 Withers, Sr. .... D32/25
- D371,936 S \* 7/1996 Goto ..... D7/509
- D397,828 S \* 9/1998 Kip ..... D28/38
- D421,873 S \* 3/2000 Sundberg ..... D7/396.1



(56)

**References Cited**

U.S. PATENT DOCUMENTS

D589,300 S *	3/2009	Altiner .....	D7/392.1
D638,737 S *	5/2011	Parvex .....	D11/26
D660,152 S *	5/2012	Mather .....	D9/451
D660,153 S *	5/2012	Mather .....	D9/451
D679,056 S *	3/2013	Mazza .....	D28/73
D710,543 S *	8/2014	Dittmer .....	D28/73
D733,560 S *	7/2015	Rajan .....	D15/145
D736,560 S *	8/2015	Dexter .....	D7/392.1
2009/0057249 A1 *	3/2009	Donnellan .....	A47B 49/00 211/77
2011/0174680 A1 *	7/2011	Arvin .....	A45D 33/00 206/581

\* cited by examiner

FIG. 1

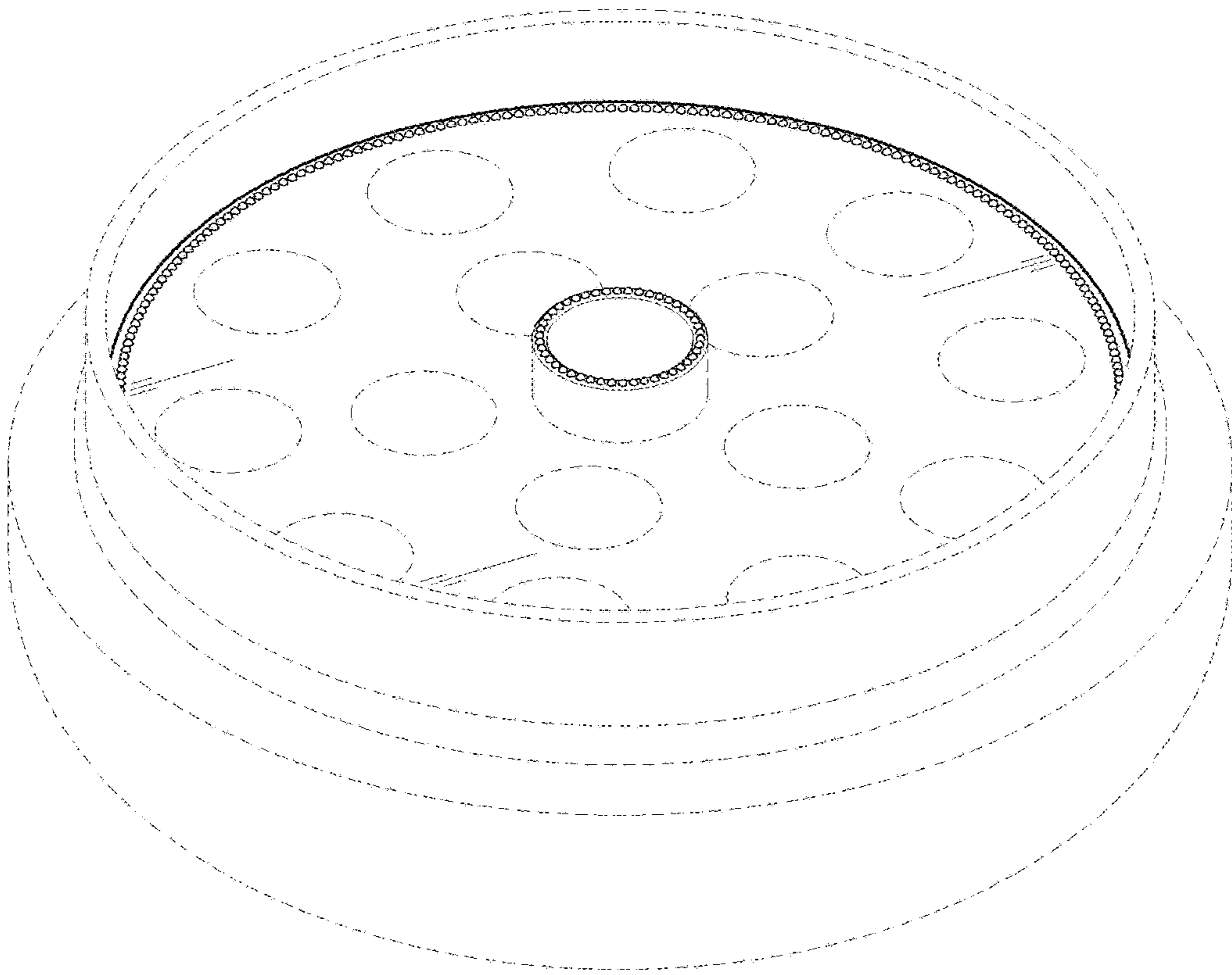


FIG. 2

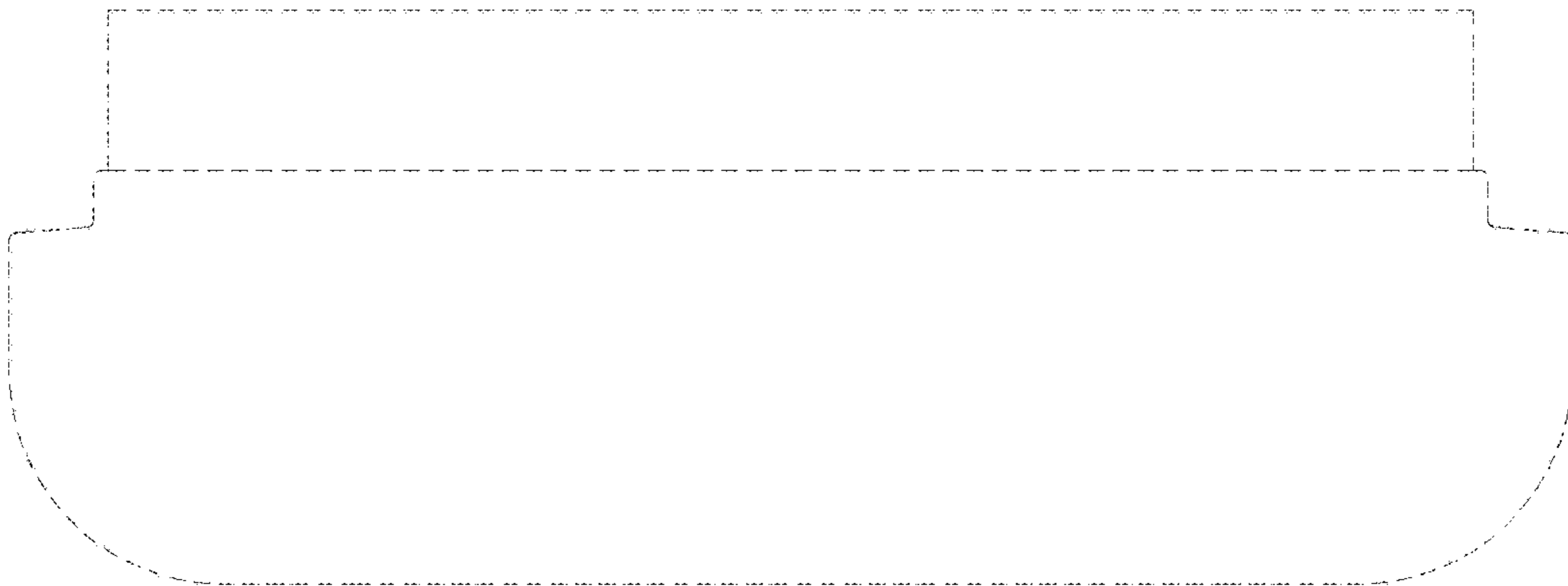


FIG. 3

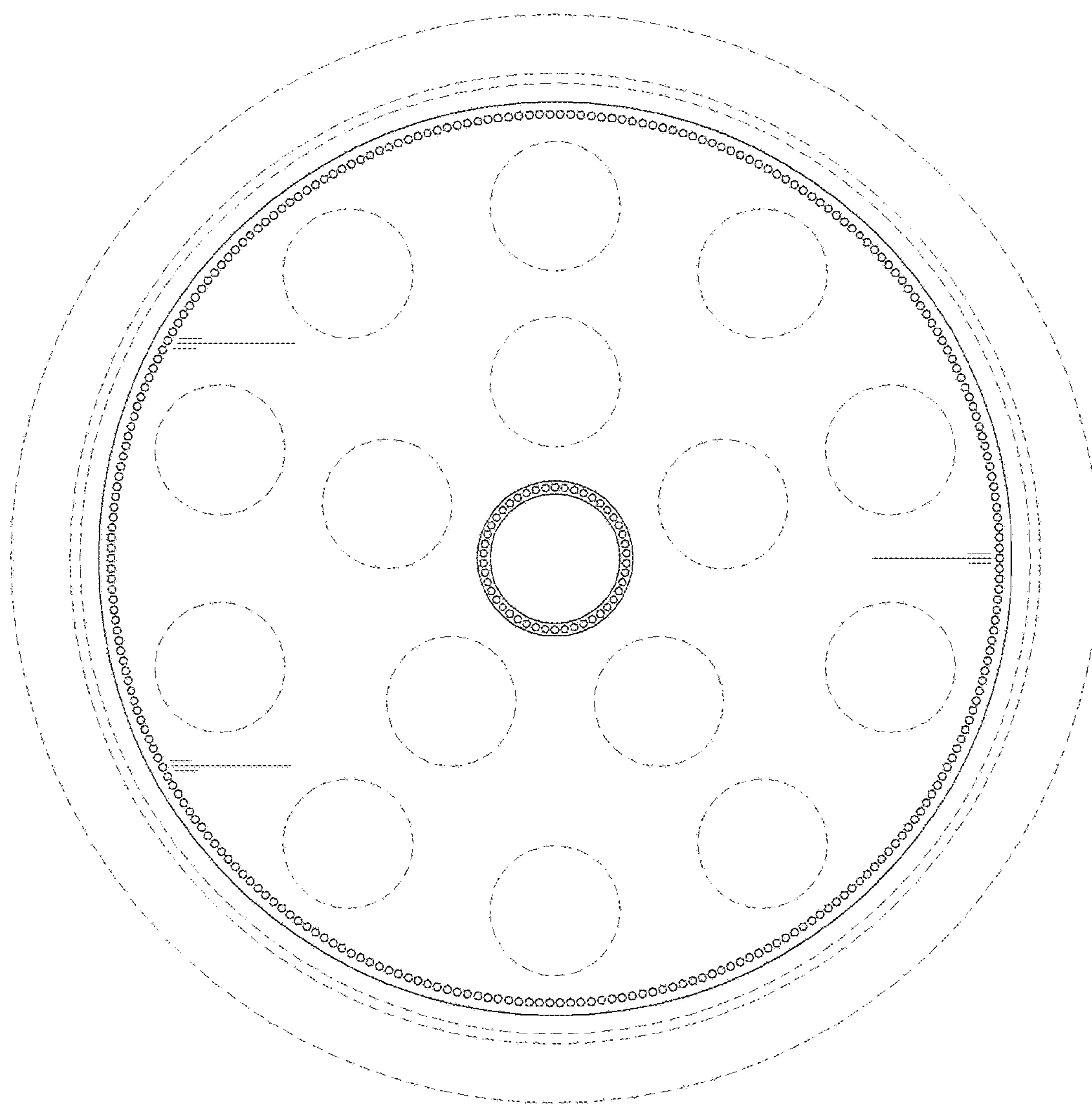


FIG. 4

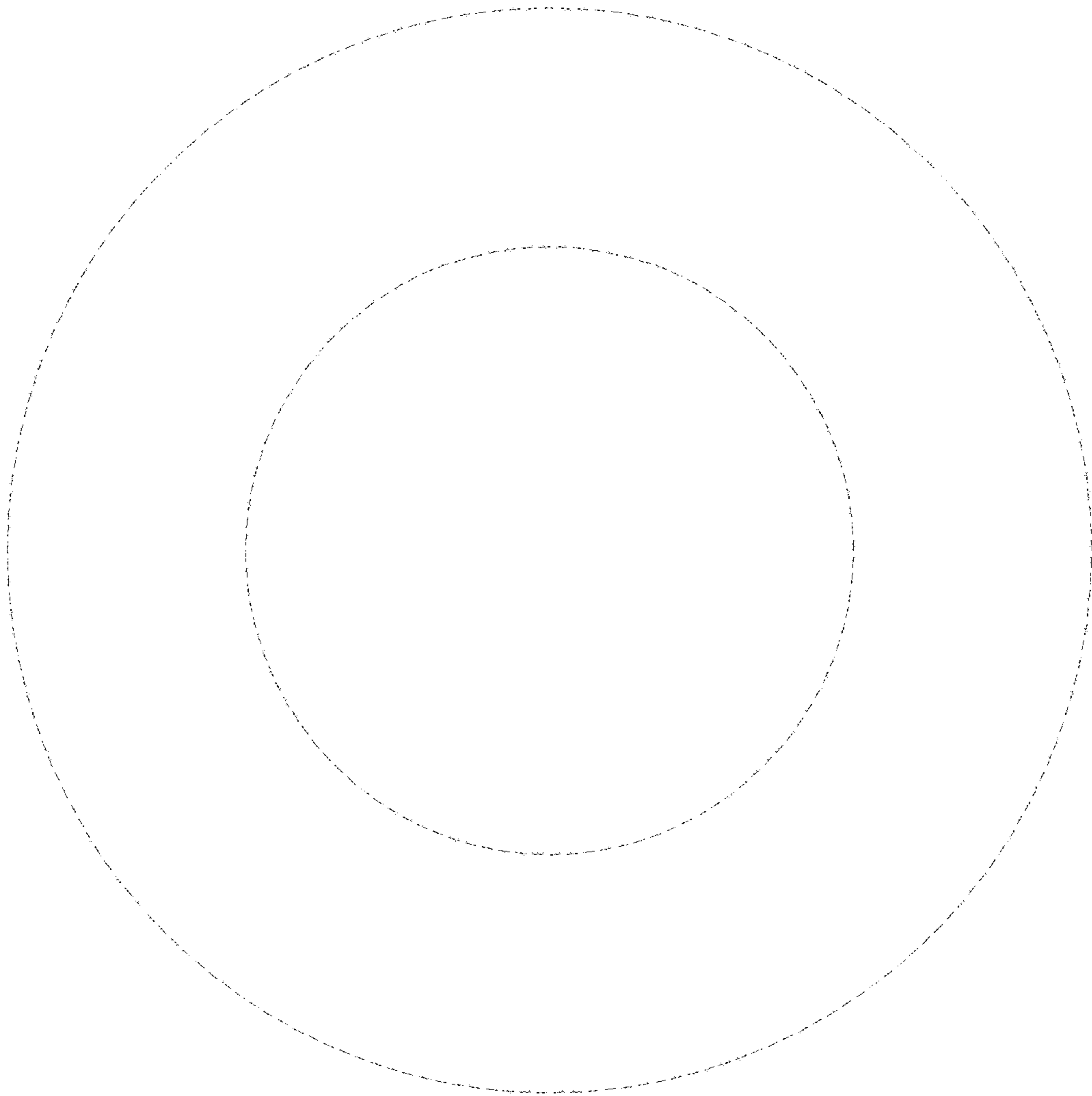


FIG. 5

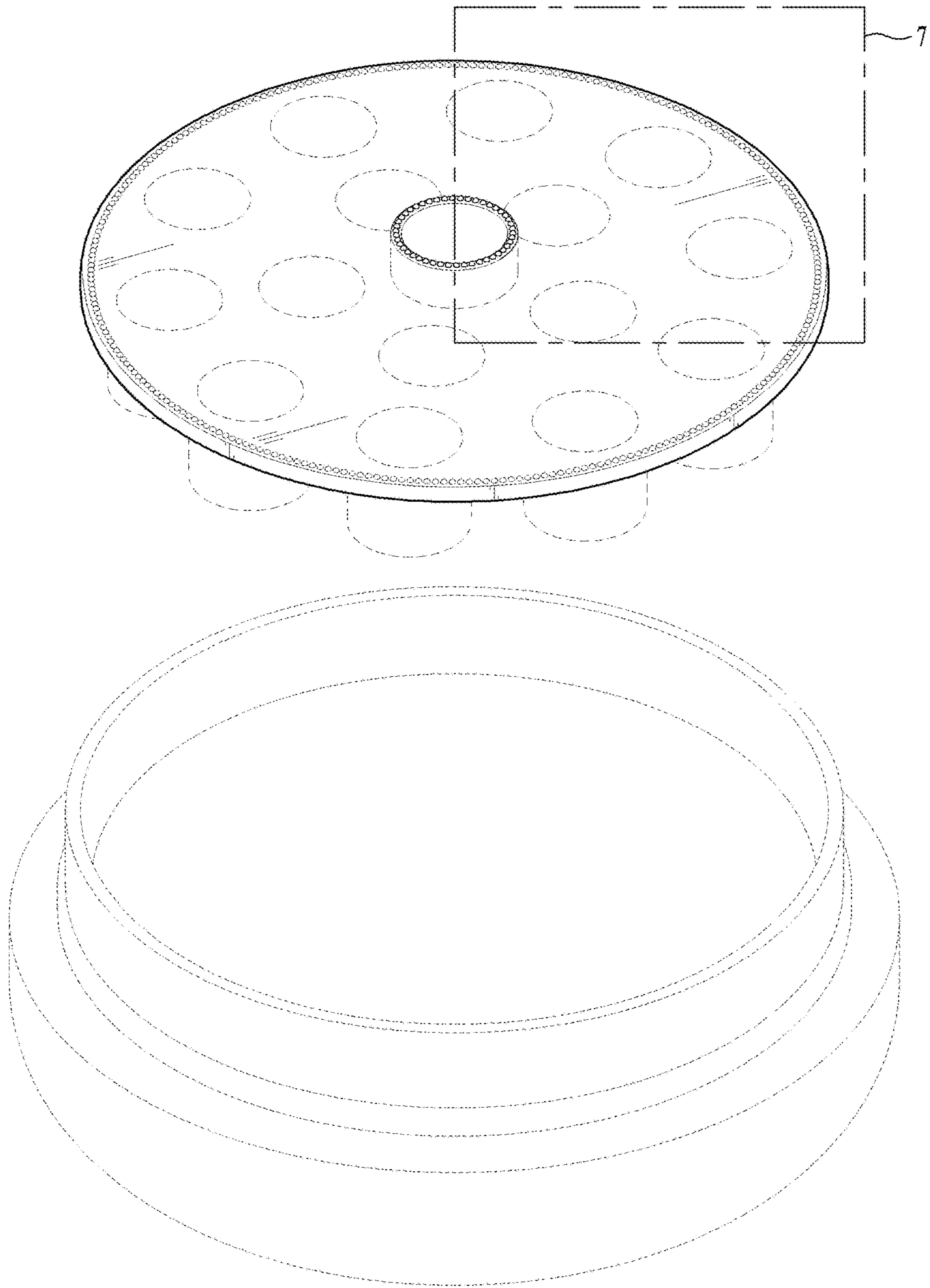


FIG. 6

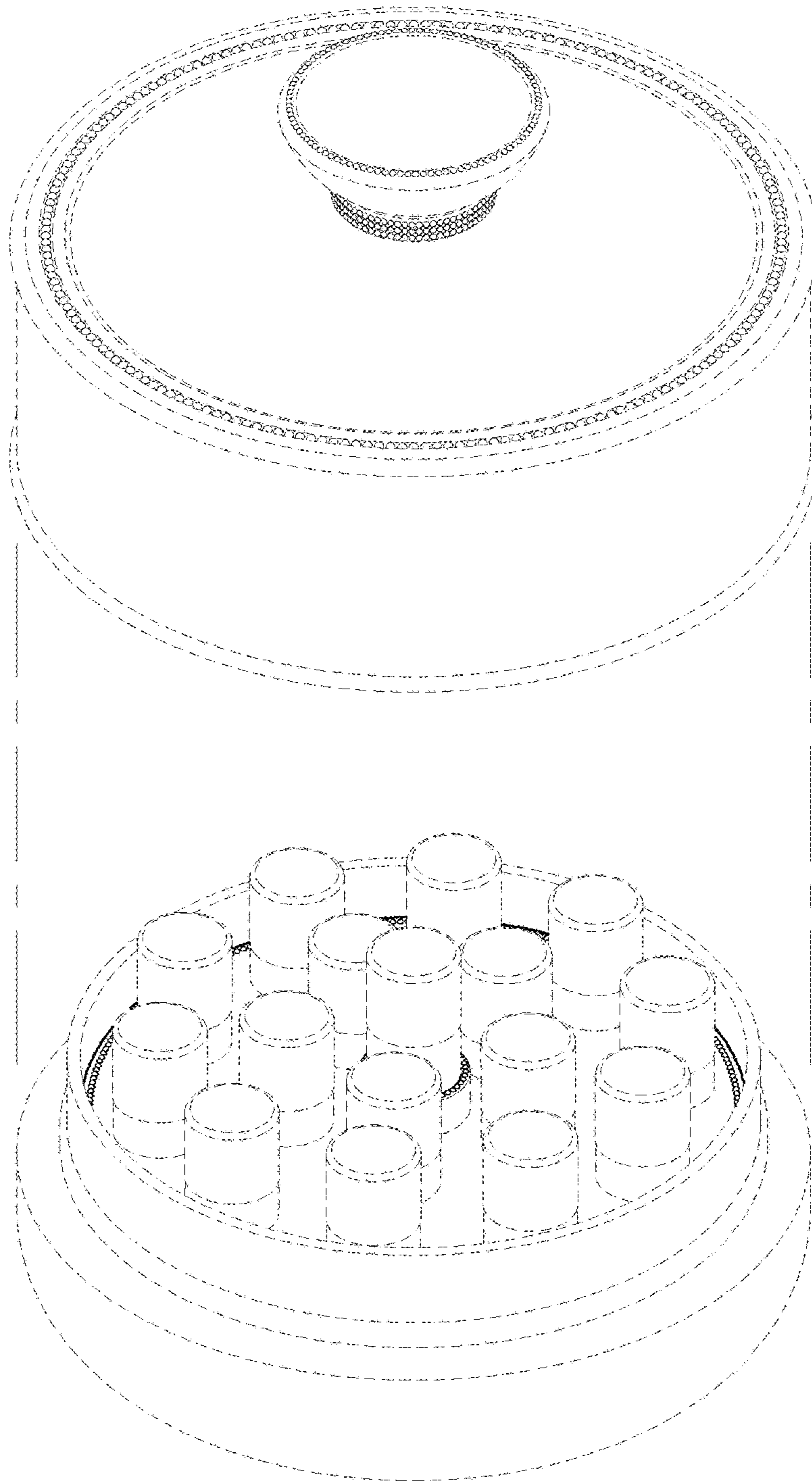




FIG. 7

