



US00D805386S

(12) **United States Design Patent** (10) **Patent No.:** **US D805,386 S**
Shimizu (45) **Date of Patent:** **** Dec. 19, 2017**

- (54) **PACKAGING BOX**
- (71) Applicant: **RIKEN TECHNOS CORPORATION**,
Tokyo (JP)
- (72) Inventor: **Motohiro Shimizu**, Tokyo (JP)
- (73) Assignee: **Riken Technos Corporation**, Tokyo
(JP)
- (**) Term: **15 Years**
- (21) Appl. No.: **29/560,530**
- (22) Filed: **Apr. 7, 2016**

D434,648 S * 12/2000 Li D9/415
 D447,685 S 9/2001 Chagnon
 7,007,426 B1 * 3/2006 Ohlman, III B65D 85/52
 47/84
 D542,131 S 5/2007 Egawa
 D657,239 S 4/2012 Gavrilencov
 (Continued)

OTHER PUBLICATIONS

Notice of Allowance, dated Aug. 12, 2016, Co-pending Parent U.S. Appl. No. 29/492,623.

Primary Examiner — Vy N Koenig
(74) *Attorney, Agent, or Firm* — Adam K. Sacharoff;
Much Shelist, P.C.

Related U.S. Application Data

- (62) Division of application No. 29/492,623, filed on Jun. 2, 2014, now Pat. No. Des. 769,115.
- (51) **LOC (10) Cl.** **09-03**
- (52) **U.S. Cl.**
USPC **D9/434**
- (58) **Field of Classification Search**
USPC D9/414–419, 430–434, 614, 621–624,
D9/721–722; D3/272–274, 290, 304,
D3/305, 315; D20/10, 22, 27, 40, 42
CPC B65D 5/00; B65D 5/0015; B65D 5/061;
B65D 5/18; B65D 5/20; B65D 5/32;
B65D 5/321; B65D 5/322
See application file for complete search history.

(57) **CLAIM**

The ornamental design for a packaging box, as shown and described.

DESCRIPTION

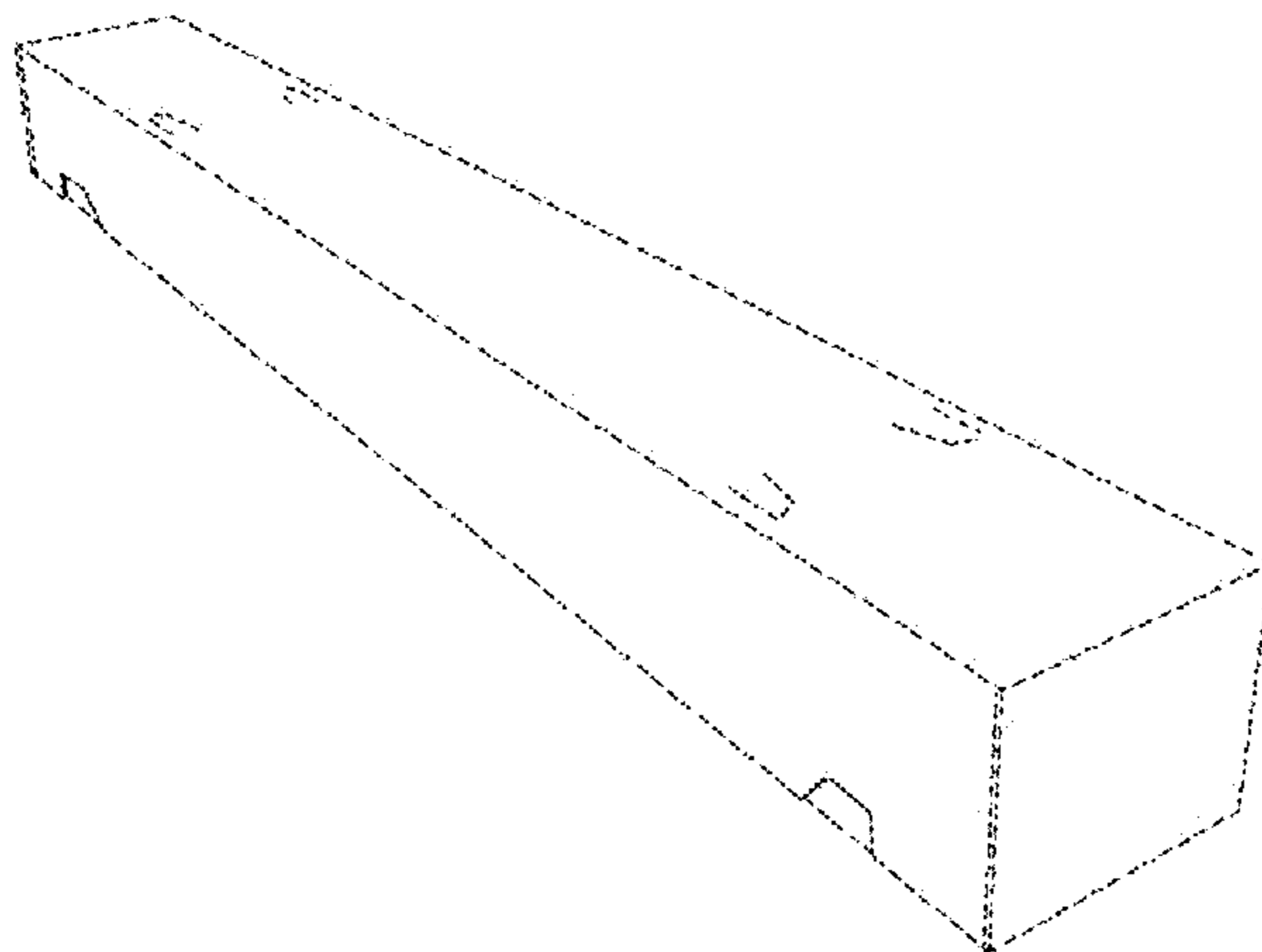
FIG. 1 is a perspective view of a packaging box;
 FIG. 2 is a front view thereof;
 FIG. 3 is a rear view thereof;
 FIG. 4 is a top plan view thereof;
 FIG. 5 is a bottom plan view thereof;
 FIG. 6 is a right side view thereof;
 FIG. 7 is a left side view thereof;
 FIG. 8 is a perspective view of the upper box component of the packaging box from FIG. 1, shown separately for ease of illustration;
 FIG. 9 is a front view of FIG. 8;
 FIG. 10 is a rear view of FIG. 8;
 FIG. 11 is an enlarged view of the area “11” shown in FIG. 2; and,
 FIG. 12 is an enlarged view of the area “12” shown in FIG. 3.
 The broken lines in the drawings depict environmental structure and form no part of the claimed design.

(56) **References Cited**

U.S. PATENT DOCUMENTS

- D195,430 S 6/1963 Mapes
- 4,501,359 A * 2/1985 Yoshizawa G11B 23/0233
206/387.1
- D321,647 S * 11/1991 Oldorf D6/517
- D351,555 S 10/1994 Blott
- D355,597 S * 2/1995 McIntire D9/730
- 5,476,218 A * 12/1995 Reisman B65D 5/18
206/425

1 Claim, 4 Drawing Sheets



(56)

References Cited

U.S. PATENT DOCUMENTS

8,651,365 B2 * 2/2014 Lymn B65D 5/04
137/343
8,690,048 B2 * 4/2014 Philips B65D 77/065
220/23.91
D708,514 S 7/2014 Kiamilev
D769,115 S * 10/2016 Shimizu D9/432
D770,278 S * 11/2016 Woodring D9/443
D770,783 S * 11/2016 Stroud D6/327
D787,324 S * 5/2017 Sotka D9/433
2017/0050759 A1 * 2/2017 Shimizu B65D 85/672

* cited by examiner

FIG. 1

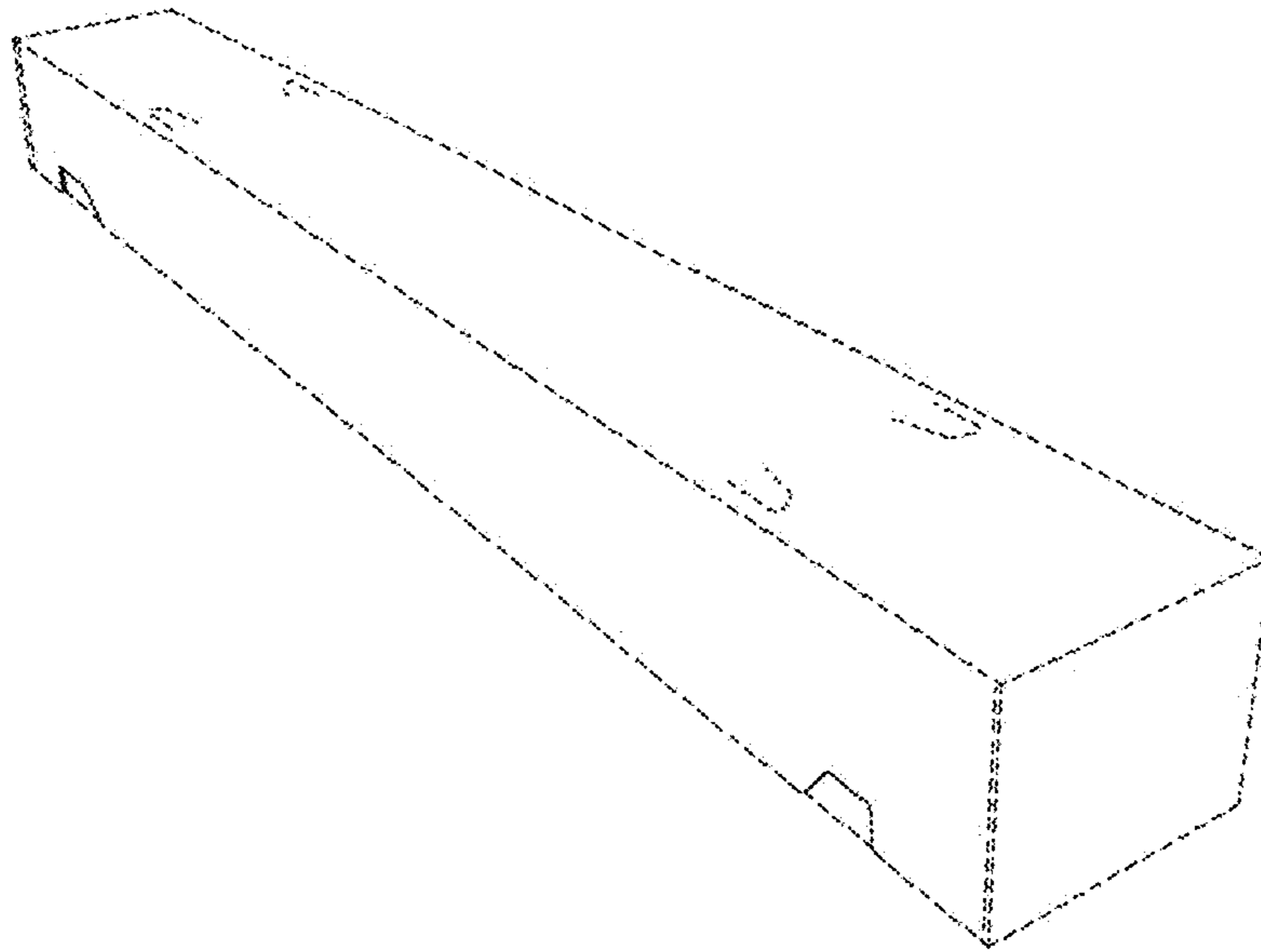


FIG. 2

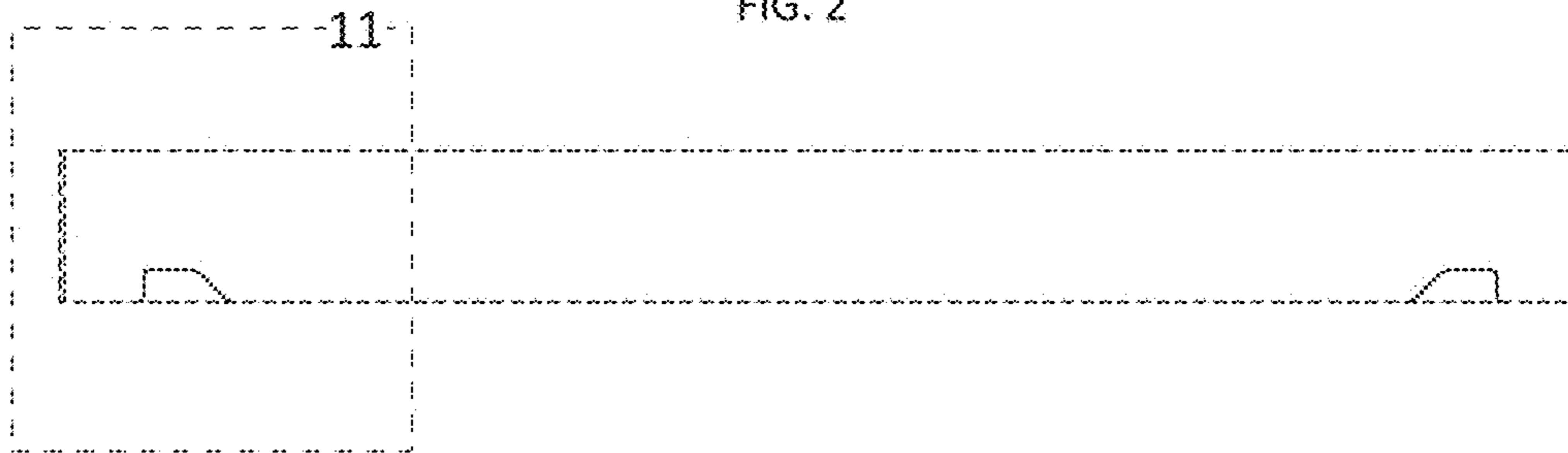


FIG. 3

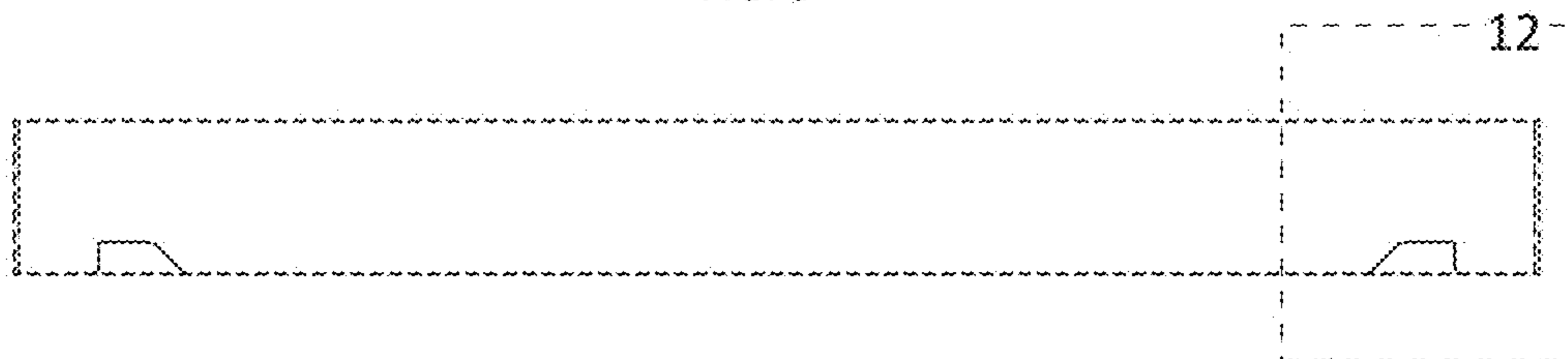


FIG. 4



FIG. 5

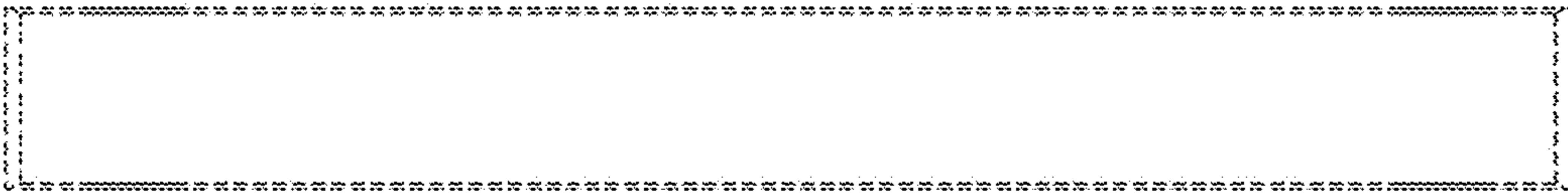


FIG. 6

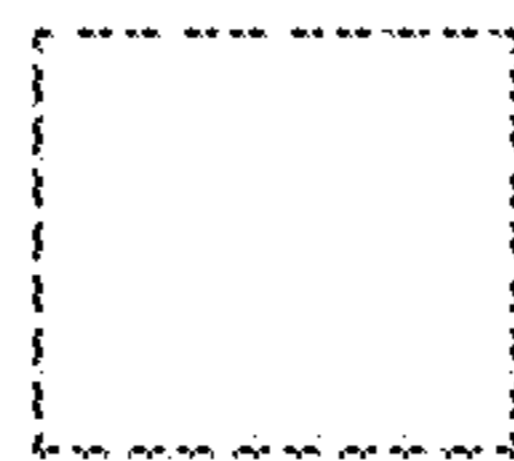


FIG. 7



FIG. 8

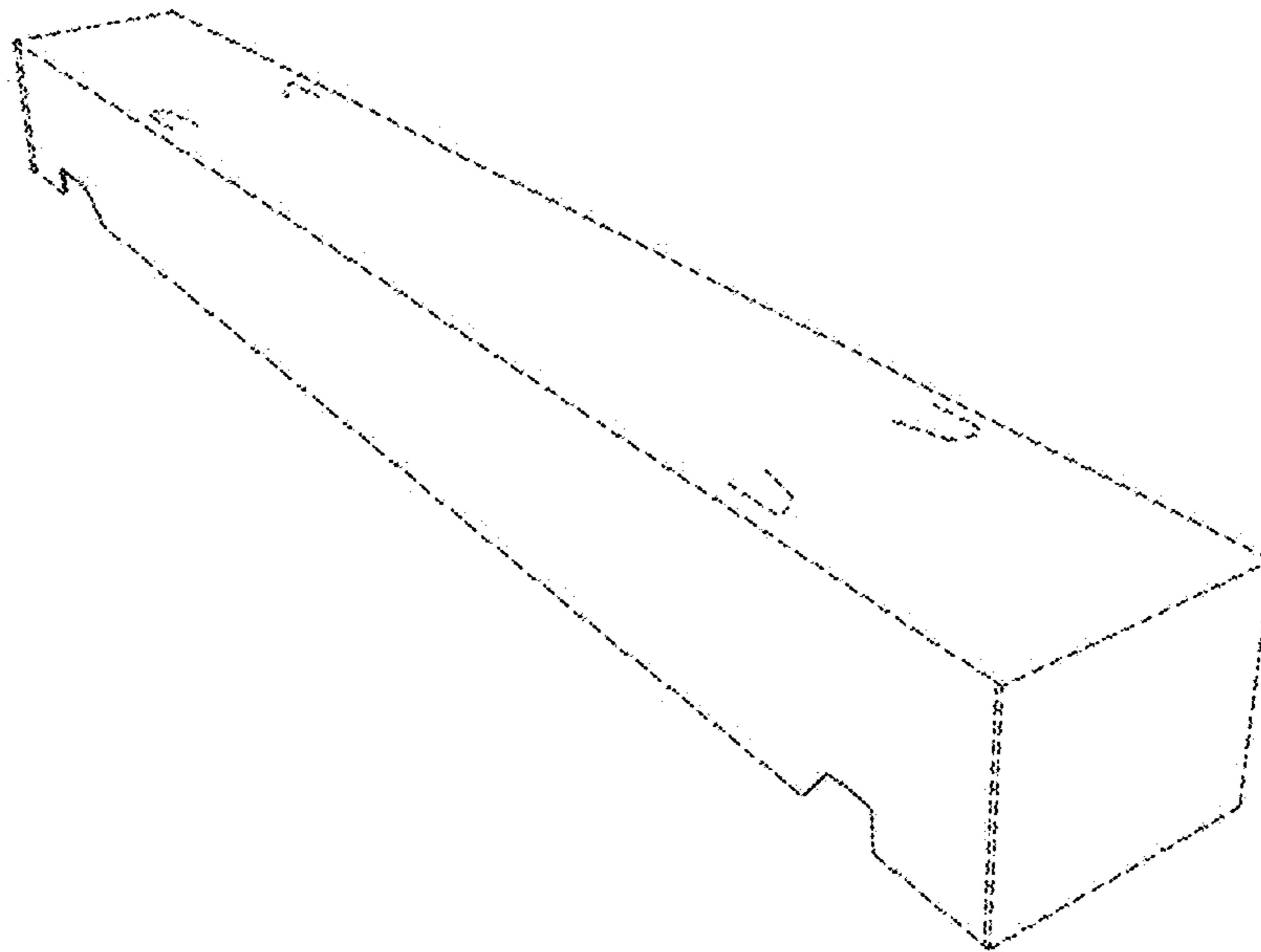


FIG. 9



FIG. 10



FIG. 11

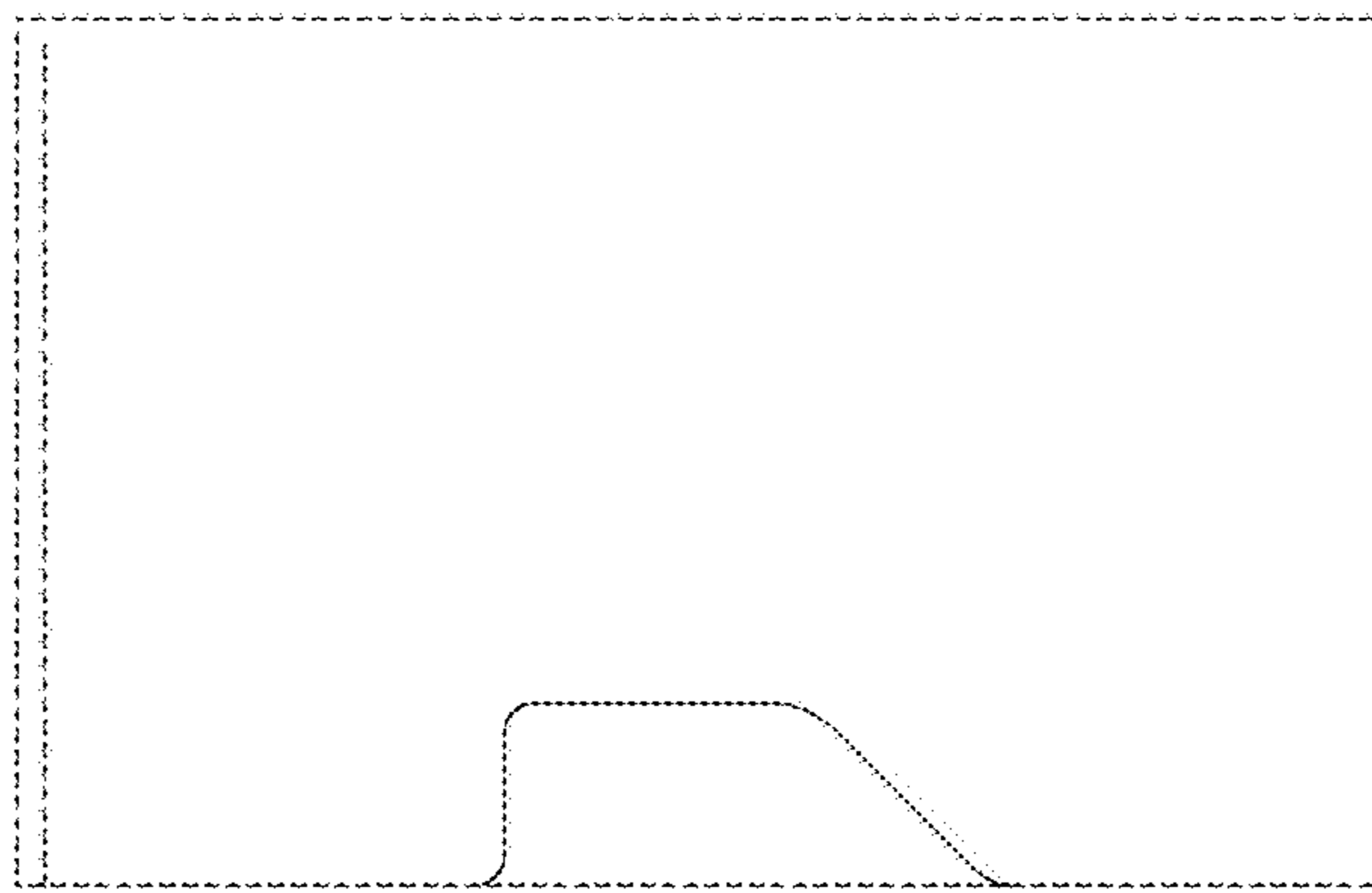


FIG. 12

