



US00D805384S

(12) **United States Design Patent** (10) **Patent No.:** **US D805,384 S**  
**Baiz et al.** (45) **Date of Patent:** **\*\* Dec. 19, 2017**

(54) **LUG NUT CAP** D590,243 S \* 4/2009 Bush ..... D8/397  
8,016,535 B1 \* 9/2011 Roberts ..... F16B 41/005  
411/373

(71) Applicants: **Enrique J. Baiz**, Miramar, FL (US);  
**Oswaldo Izquierdo**, Homestead, FL  
(US) D713,714 S \* 9/2014 Kishida ..... D8/397  
D746,129 S \* 12/2015 Kishida ..... D8/399  
D780,562 S \* 3/2017 Baiz ..... D8/387  
D781,691 S \* 3/2017 Baiz ..... D8/387  
D786,056 S \* 5/2017 Baiz ..... D8/387  
D787,924 S \* 5/2017 Baiz ..... D8/387  
D796,310 S \* 9/2017 Baiz ..... D8/397

(72) Inventors: **Enrique J. Baiz**, Miramar, FL (US);  
**Oswaldo Izquierdo**, Homestead, FL  
(US) 2002/0098059 A1 \* 7/2002 Schmidt ..... F16B 37/14  
411/399

(\*\*) Term: **15 Years** 2013/0071204 A1 \* 3/2013 Hunter ..... F16B 37/14  
411/373

(21) Appl. No.: **29/588,034**

(22) Filed: **Dec. 16, 2016**

(51) **LOC (10) Cl.** ..... **08-08**

(52) **U.S. Cl.**  
USPC ..... **D8/397**

(58) **Field of Classification Search**  
USPC ..... D8/397, 394, 382, 349  
CPC ... E04G 25/065; F16B 41/002; F16B 23/0061  
See application file for complete search history.

\* cited by examiner

*Primary Examiner* — Cynthia Underwood  
(74) *Attorney, Agent, or Firm* — Kevin Prince

(57) **CLAIM**

We claim the ornamental design for a lug nut cap, as shown and described.

**DESCRIPTION**

FIG. 1 is a top perspective view of a lug nut cap, showing our new design;

FIG. 2 is a front elevational view thereof, the rear elevational view, right-side elevational view, and left-side elevational view all being identical thereto;

FIG. 3 is a front elevational view thereof, the rear elevational view being a mirror image thereof;

FIG. 4 is a left-side elevational view thereof, the right-side elevational view being a mirror image thereof;

FIG. 5 is a top plan view thereof;

FIG. 6 is a bottom plan view thereof; and,

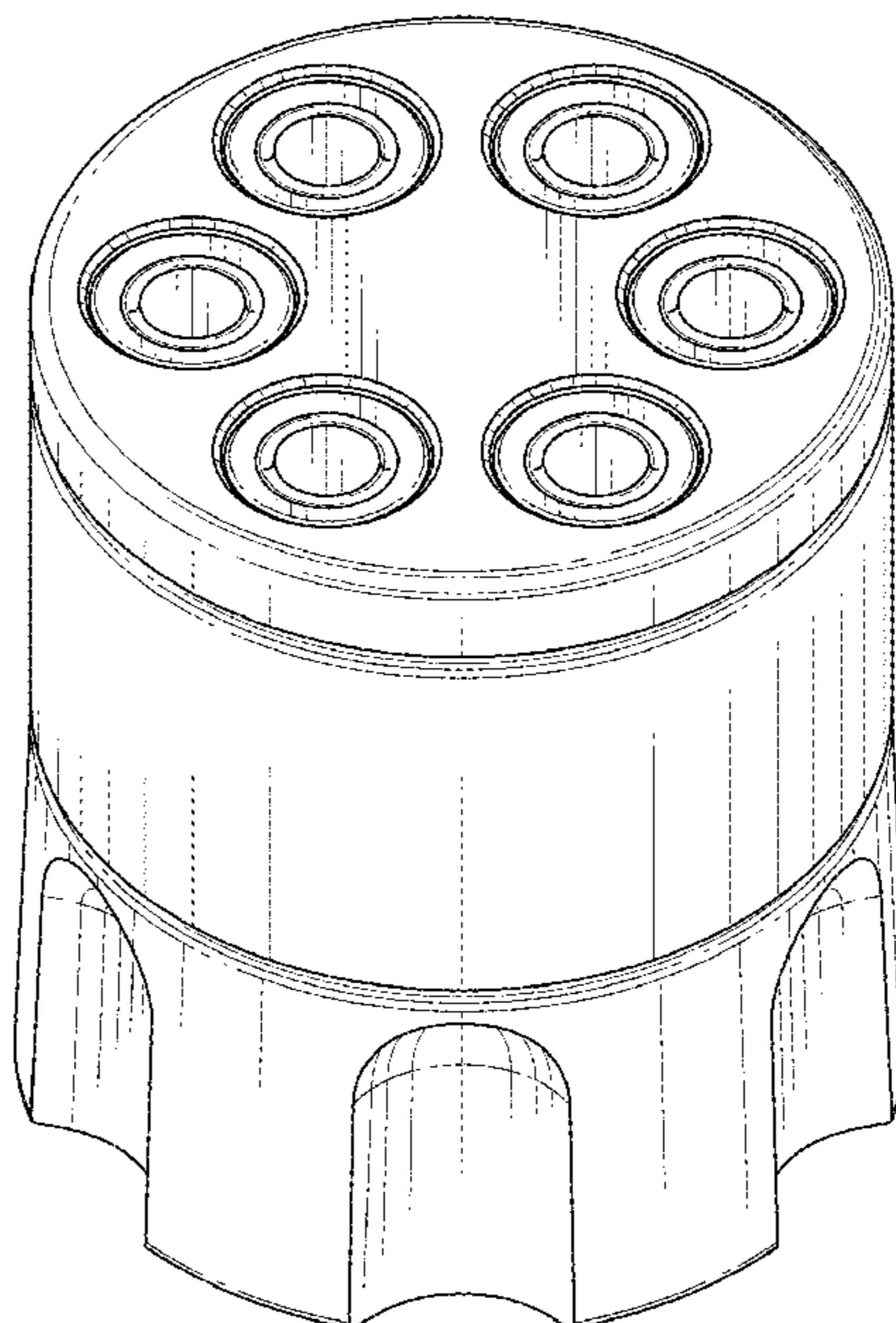
FIG. 7 is a cross-sectional view thereof, taken along line 7--7 of FIG. 5.

**1 Claim, 5 Drawing Sheets**

(56) **References Cited**

**U.S. PATENT DOCUMENTS**

D243,154 S \* 1/1977 Dieme ..... D8/387  
D268,565 S \* 4/1983 Mortus ..... D8/397  
4,406,140 A \* 9/1983 Wolter ..... F16B 41/005  
70/231  
4,420,848 A \* 12/1983 Becker ..... B23K 11/002  
470/22  
4,850,776 A \* 7/1989 Toth ..... B23K 11/14  
411/376  
5,302,069 A \* 4/1994 Toth ..... B60B 7/00  
411/373  
D484,785 S \* 1/2004 Plumer ..... D8/397  
D488,715 S \* 4/2004 Plumer ..... D8/397  
D507,166 S \* 7/2005 Chen ..... D8/68  
D510,259 S \* 10/2005 Yoshimoto ..... D8/397



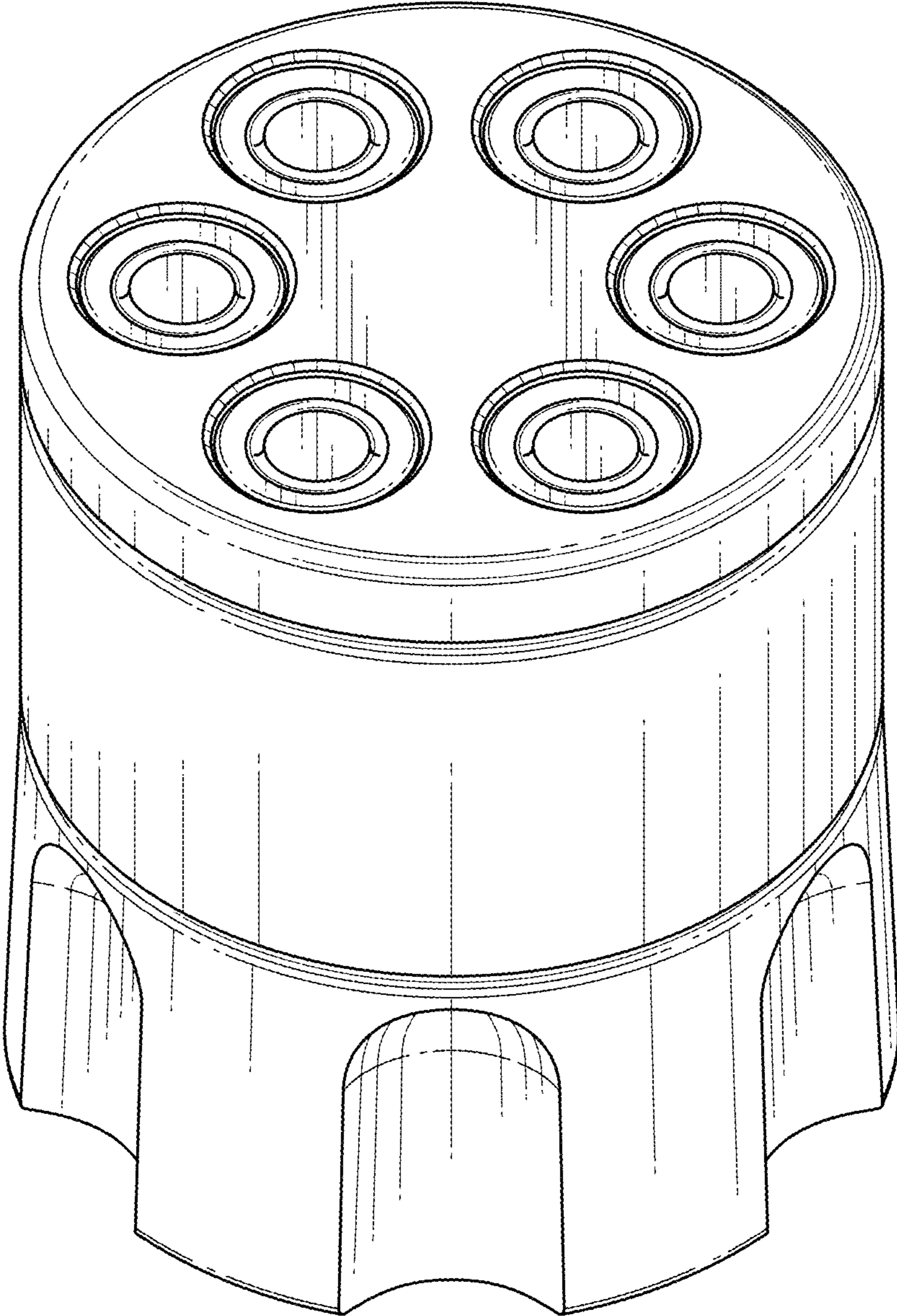


FIG. 1

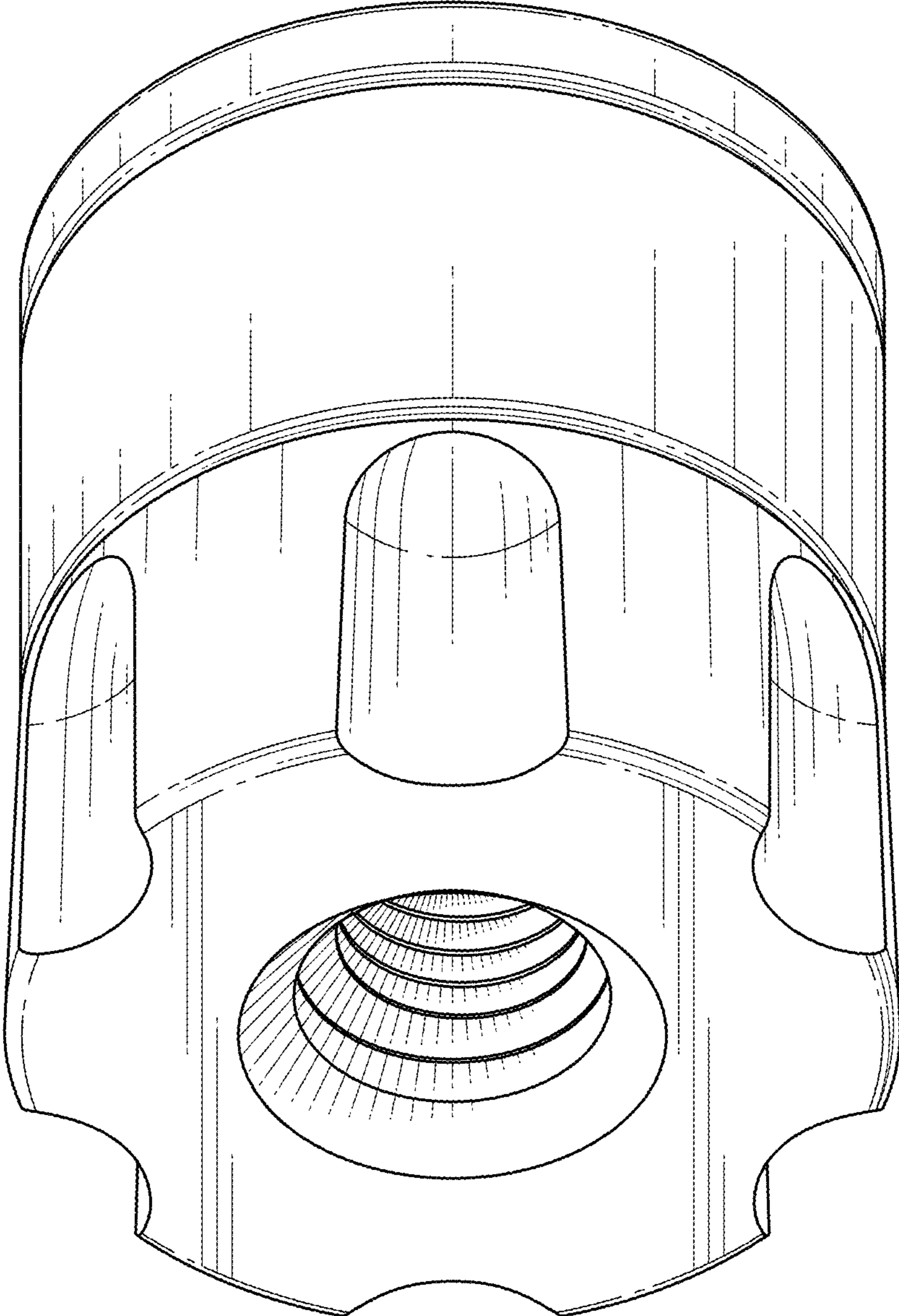


FIG. 2

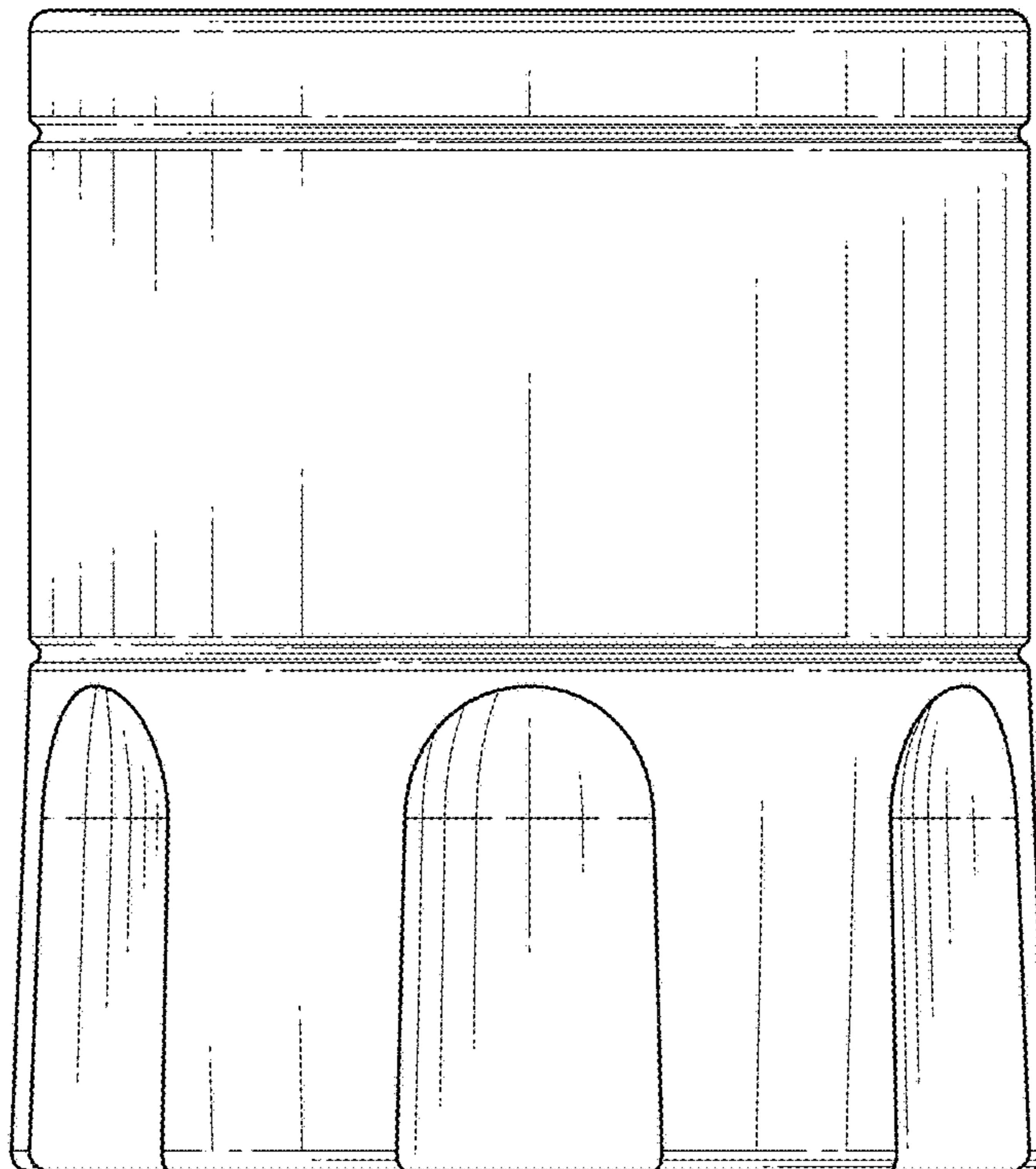


FIG. 3

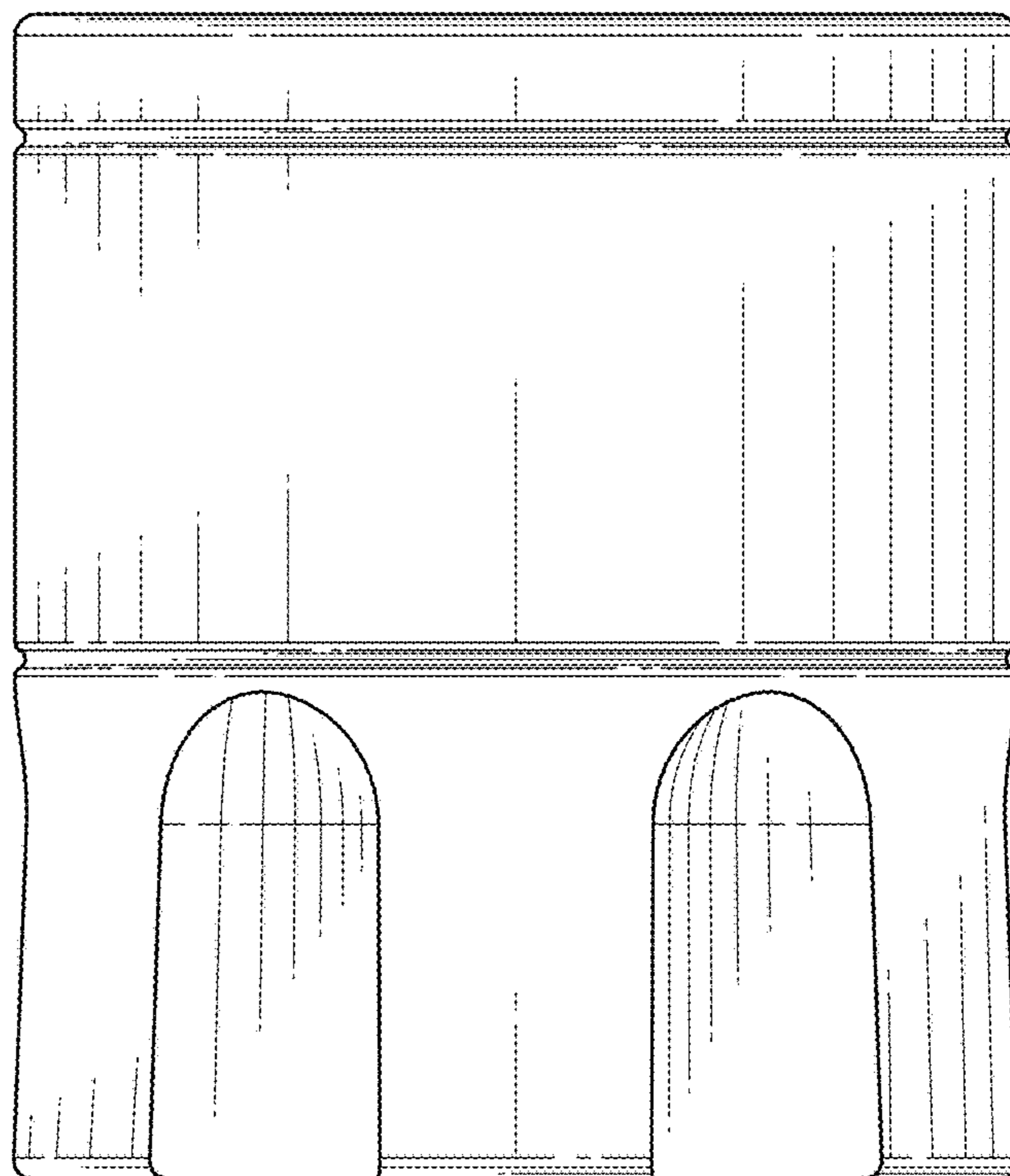


FIG. 4

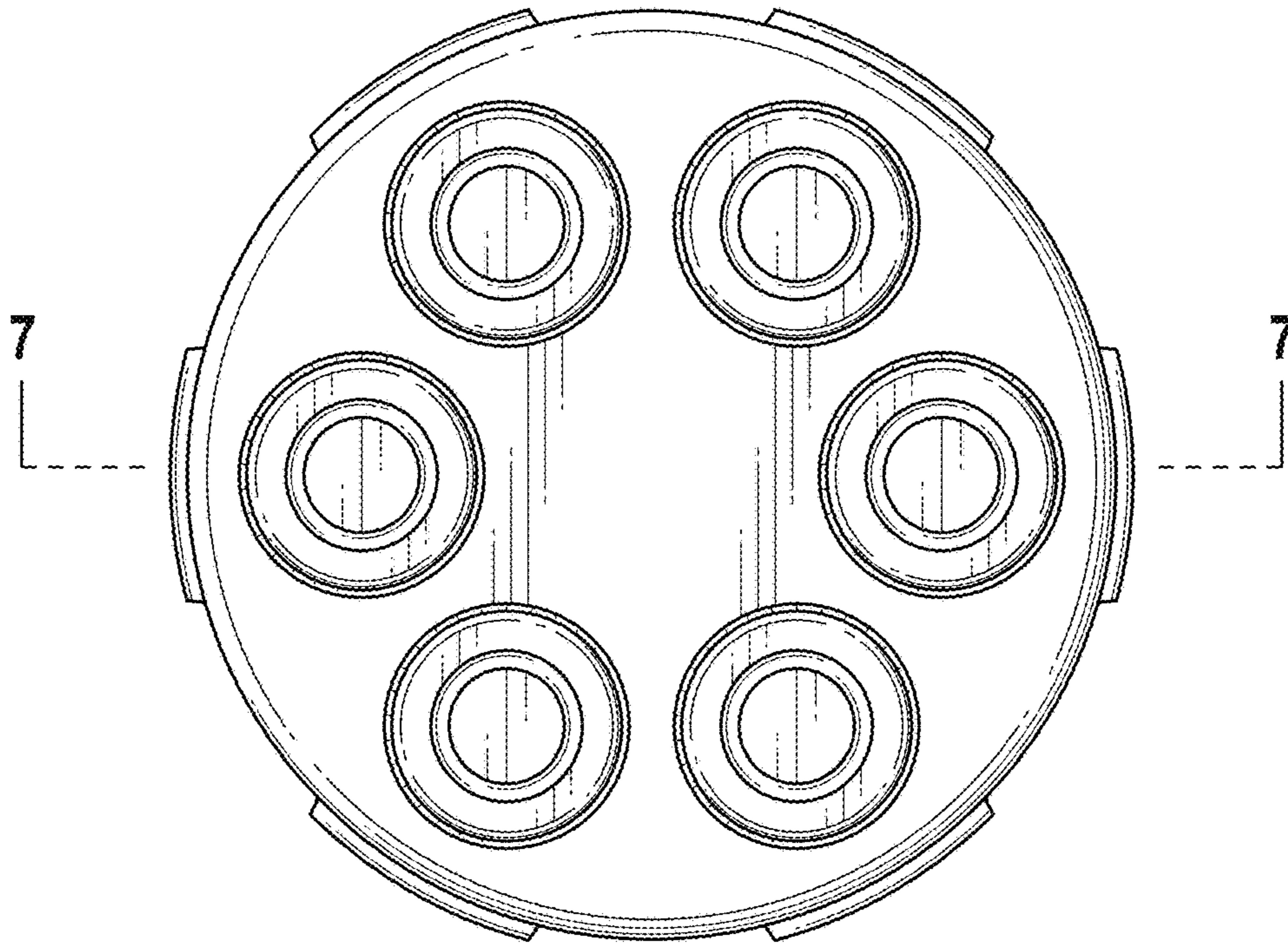


FIG. 5

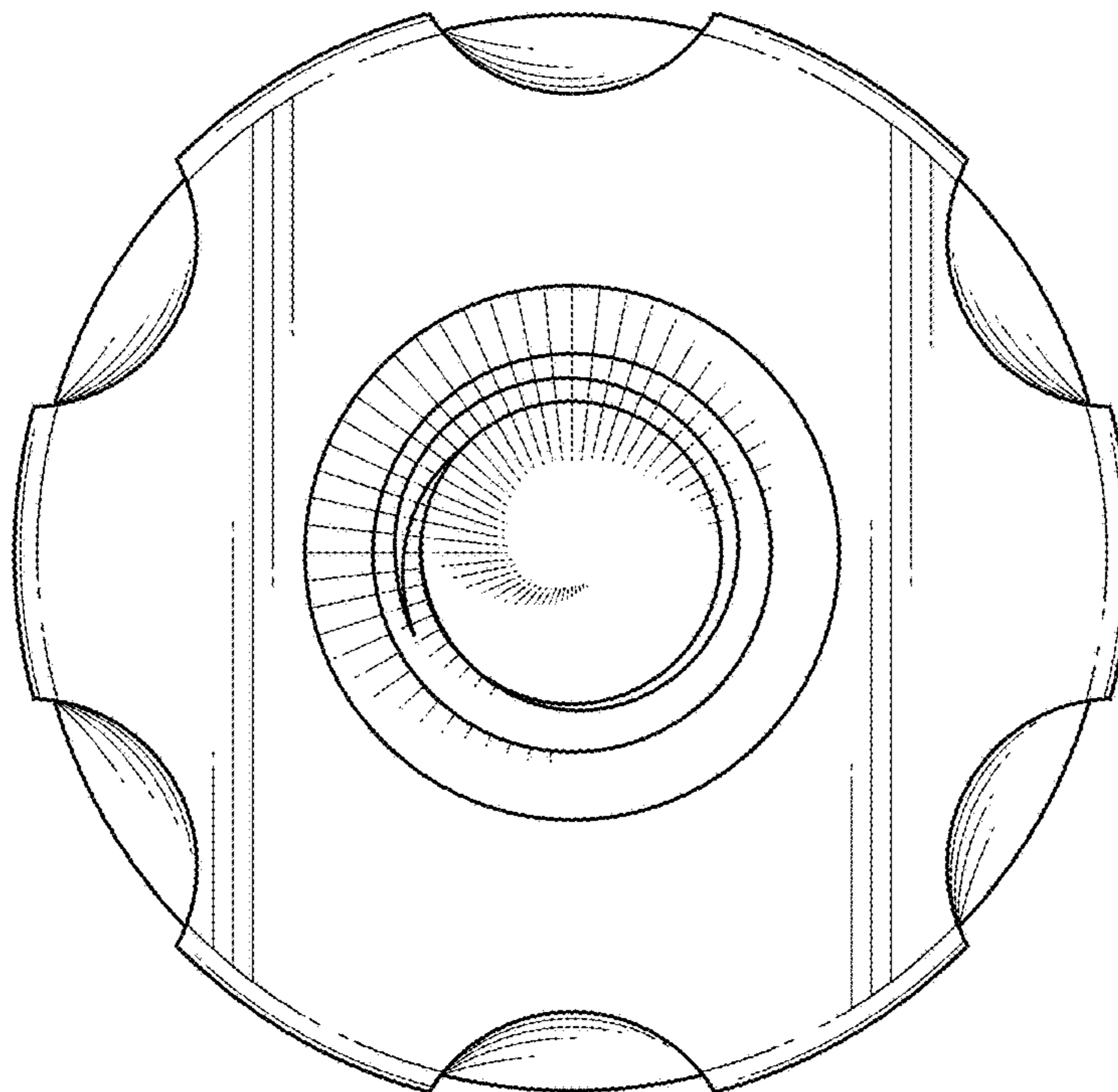


FIG. 6

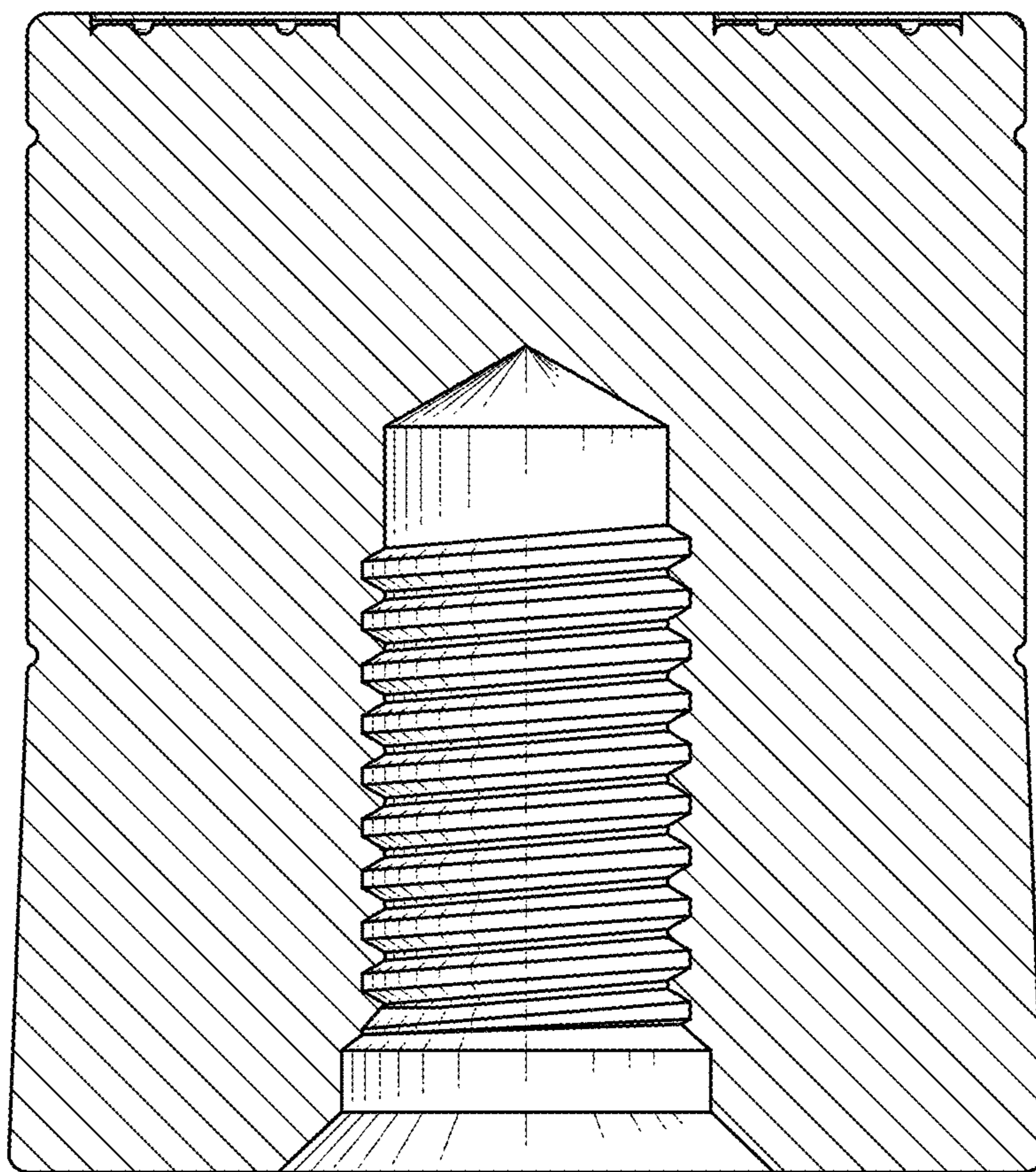


FIG. 7