



US00D805382S

(12) **United States Design Patent** (10) **Patent No.:** **US D805,382 S**
Baiz et al. (45) **Date of Patent:** **** Dec. 19, 2017**

| | |
|--|---|
| (54) LUG NUT CAP | 4,369,012 A * 1/1983 Bailet A47B 57/265 411/265 |
| (71) Applicants: Enrique J. Baiz , Miramar, FL (US); Oswaldo Izquierdo , Homestead, FL (US) | D269,589 S * 7/1983 Nakama D8/356 D368,020 S * 3/1996 Shirai D8/397 D416,192 S * 11/1999 Tu D8/397 5,980,180 A * 11/1999 Schiess F16B 21/18 411/339 |
| (72) Inventors: Enrique J. Baiz , Miramar, FL (US); Oswaldo Izquierdo , Homestead, FL (US) | D551,269 S * 9/2007 Burke, III D15/139 D634,343 S * 3/2011 Burke, III D15/139 D637,901 S * 5/2011 Hinton D8/397 D684,455 S * 6/2013 Relyea D8/397 D713,243 S * 9/2014 Hsu D8/397 D786,056 S * 5/2017 Baiz D8/387 D787,927 S * 5/2017 Baiz D8/397 D790,331 S * 6/2017 Baiz D8/387 |
| (**) Term: 15 Years | |
| (21) Appl. No.: 29/588,027 | |
| (22) Filed: Dec. 16, 2016 | |

* cited by examiner

Related U.S. Application Data

(63) Continuation-in-part of application No. 29/577,161, filed on Sep. 9, 2016, now Pat. No. Des. 793,853.

(51) **LOC (10) Cl.** **08-08**

(52) **U.S. Cl.**
USPC **D8/397**

(58) **Field of Classification Search**
USPC D8/397, 394, 382, 349; 411/427, 374
CPC ... E04G 25/065; F16B 41/002; F16B 23/0061
See application file for complete search history.

Primary Examiner — Cynthia Underwood
(74) *Attorney, Agent, or Firm* — QuickPatents, LLC;
Kevin Prince

(57) **CLAIM**

We claim the ornamental design for a lug nut cap, as shown and described.

DESCRIPTION

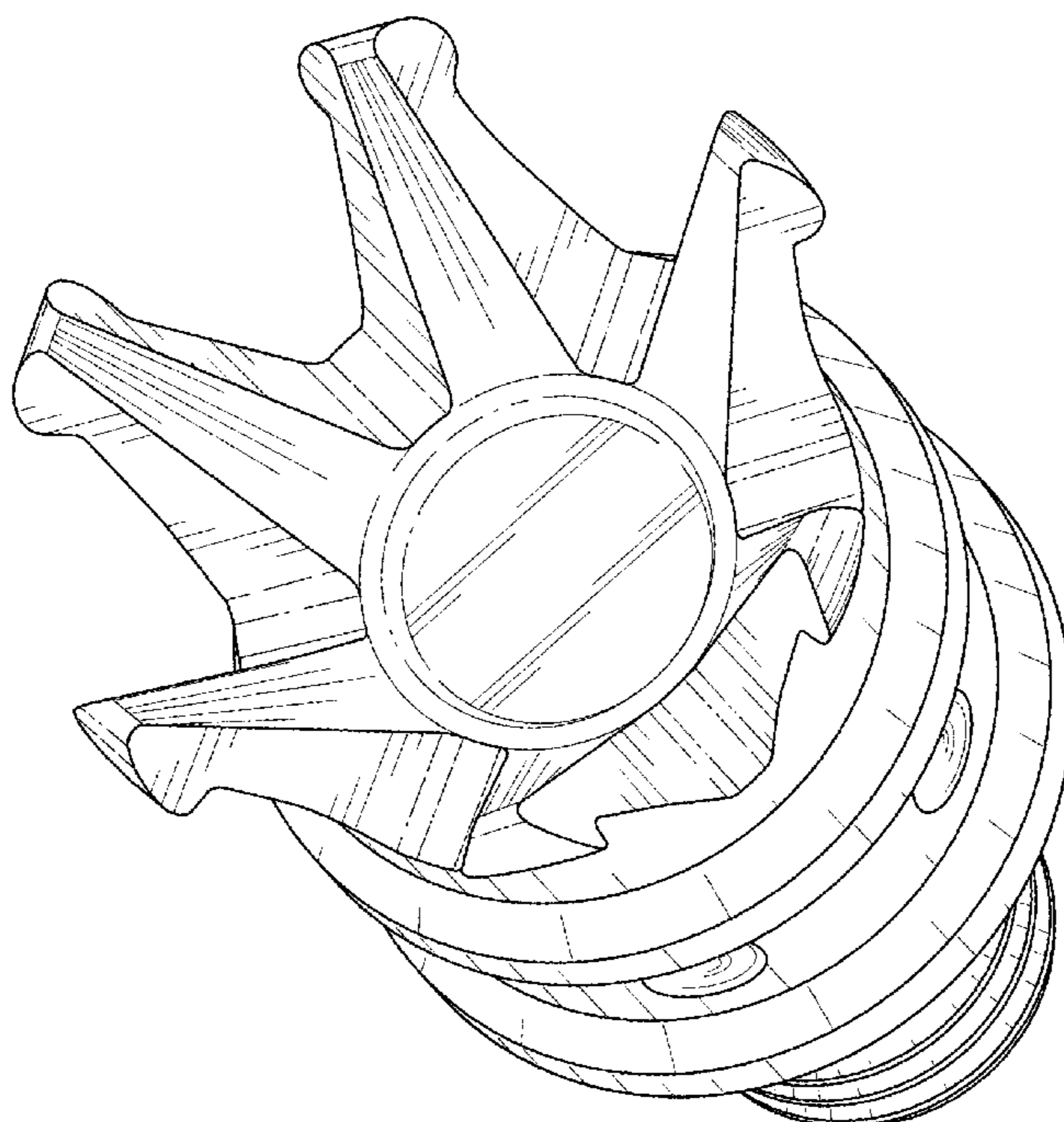
FIG. 1 is a top perspective view of a lug nut cap, showing our new design;
FIG. 2 is a bottom perspective view thereof;
FIG. 3 is a front elevational view thereof;
FIG. 4 is a rear elevational view thereof;
FIG. 5 is a left-side elevational view thereof;
FIG. 6 is a right-side elevational view thereof;
FIG. 7 is a top plan view thereof; and,
FIG. 8 is a bottom plan view thereof.

(56) **References Cited**

U.S. PATENT DOCUMENTS

| |
|--|
| D22,813 S * 9/1893 Rouse 411/190 |
| 1,607,273 A * 11/1926 Hecht F16B 39/36 301/35.622 |
| D134,789 S * 1/1943 Gade 411/276 |
| D219,426 S * 12/1970 Ginsberg D8/397 |

1 Claim, 7 Drawing Sheets



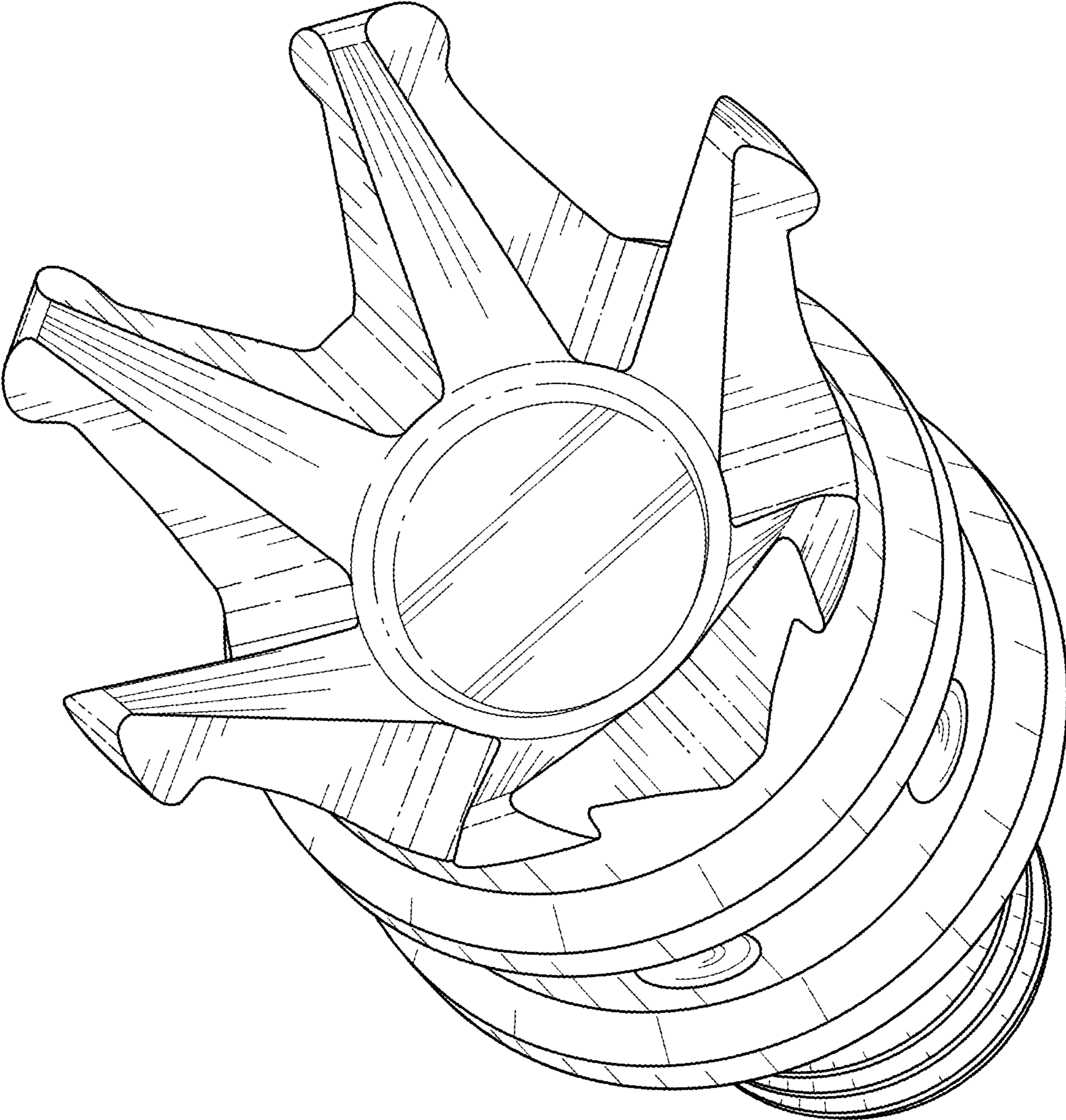


FIG. 1

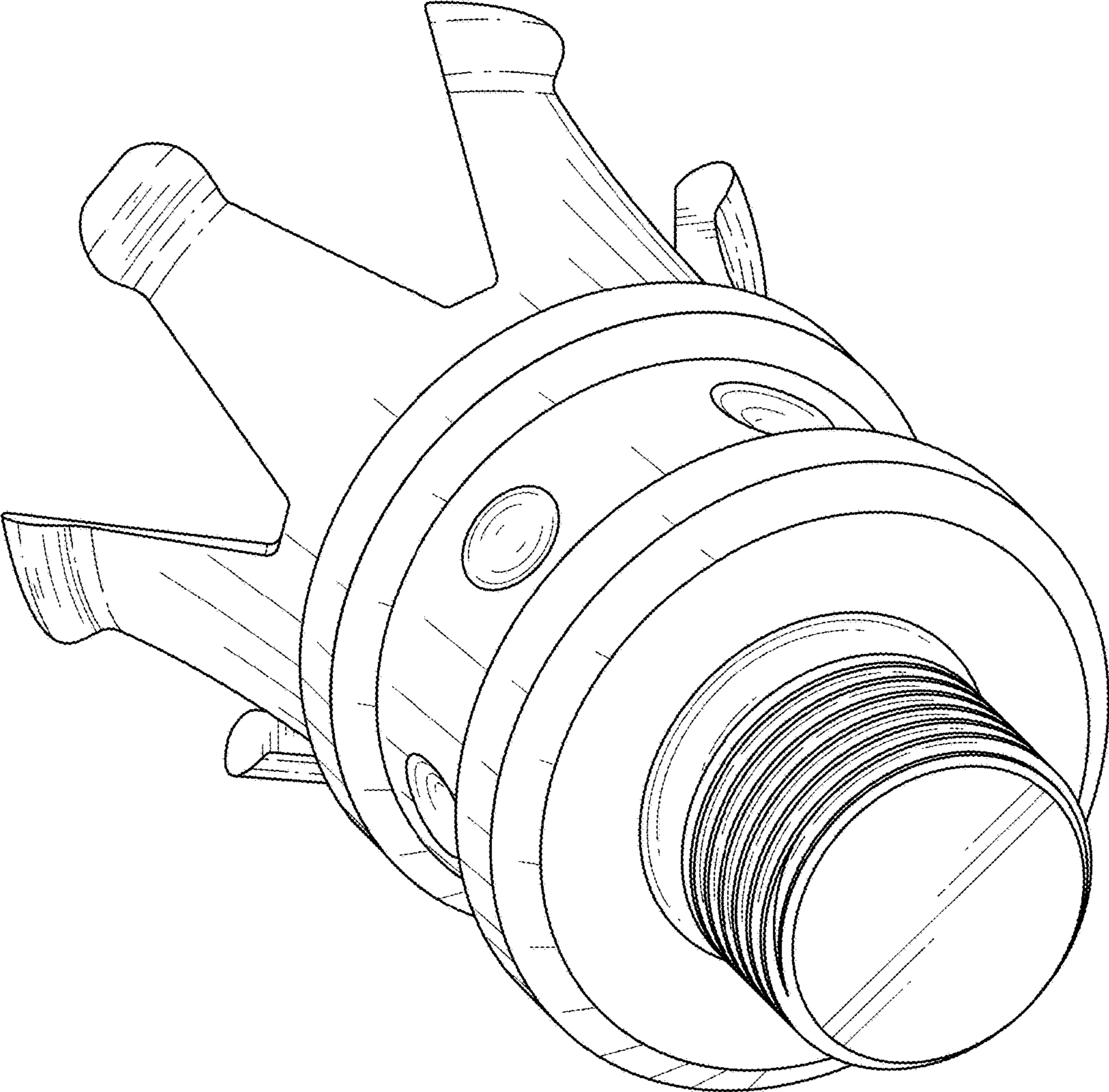


FIG. 2

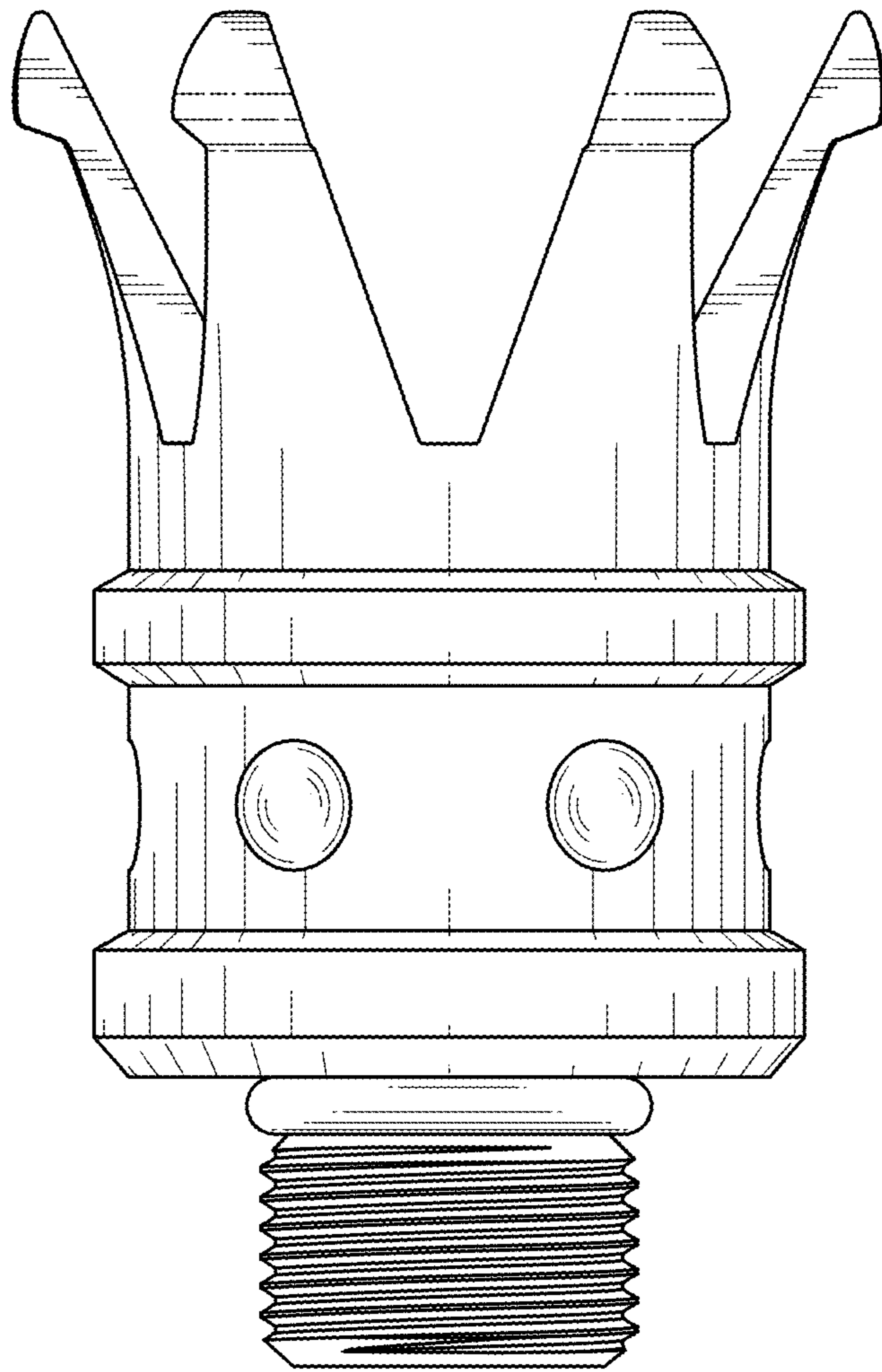


FIG. 3

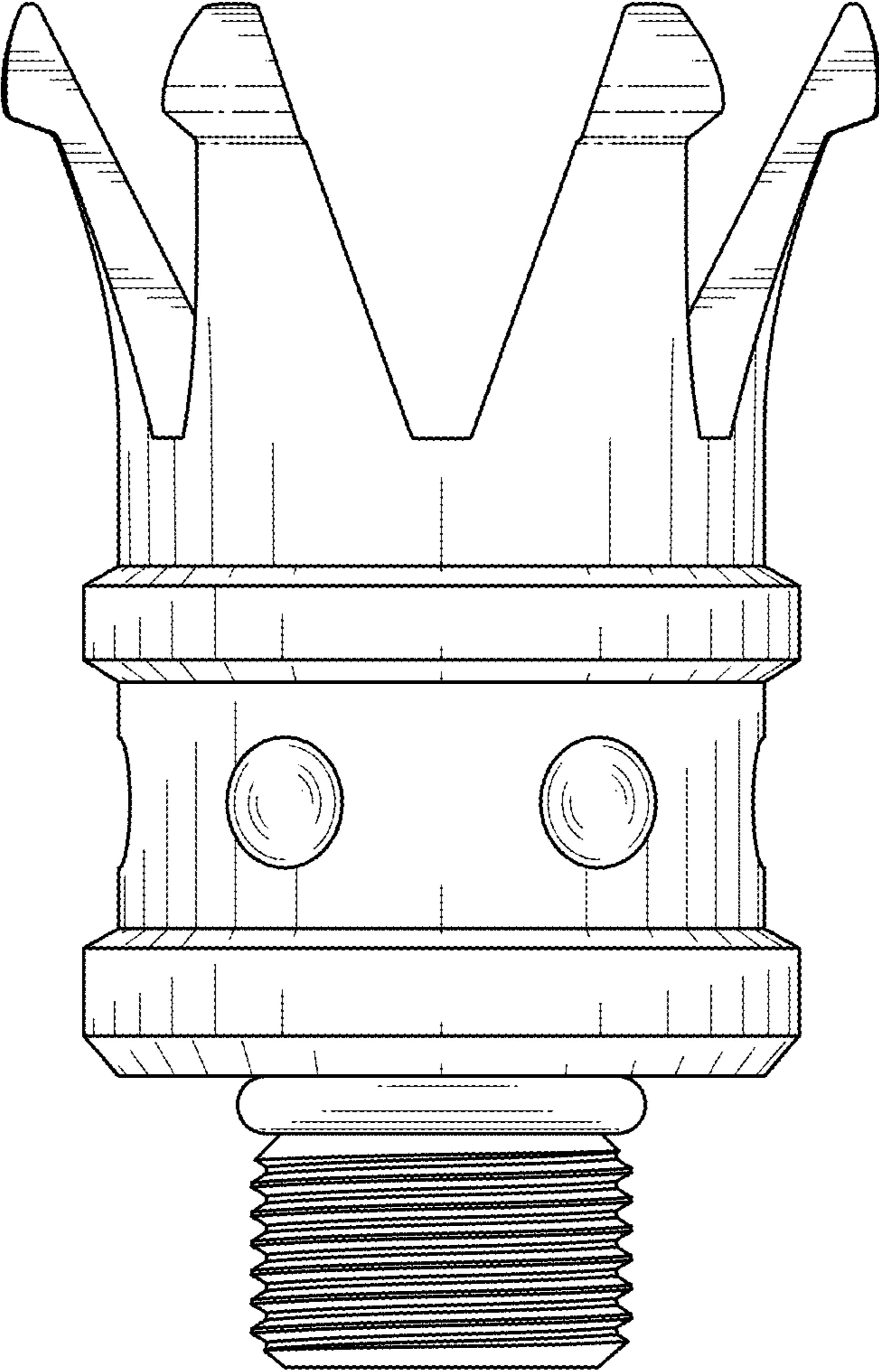


FIG. 4

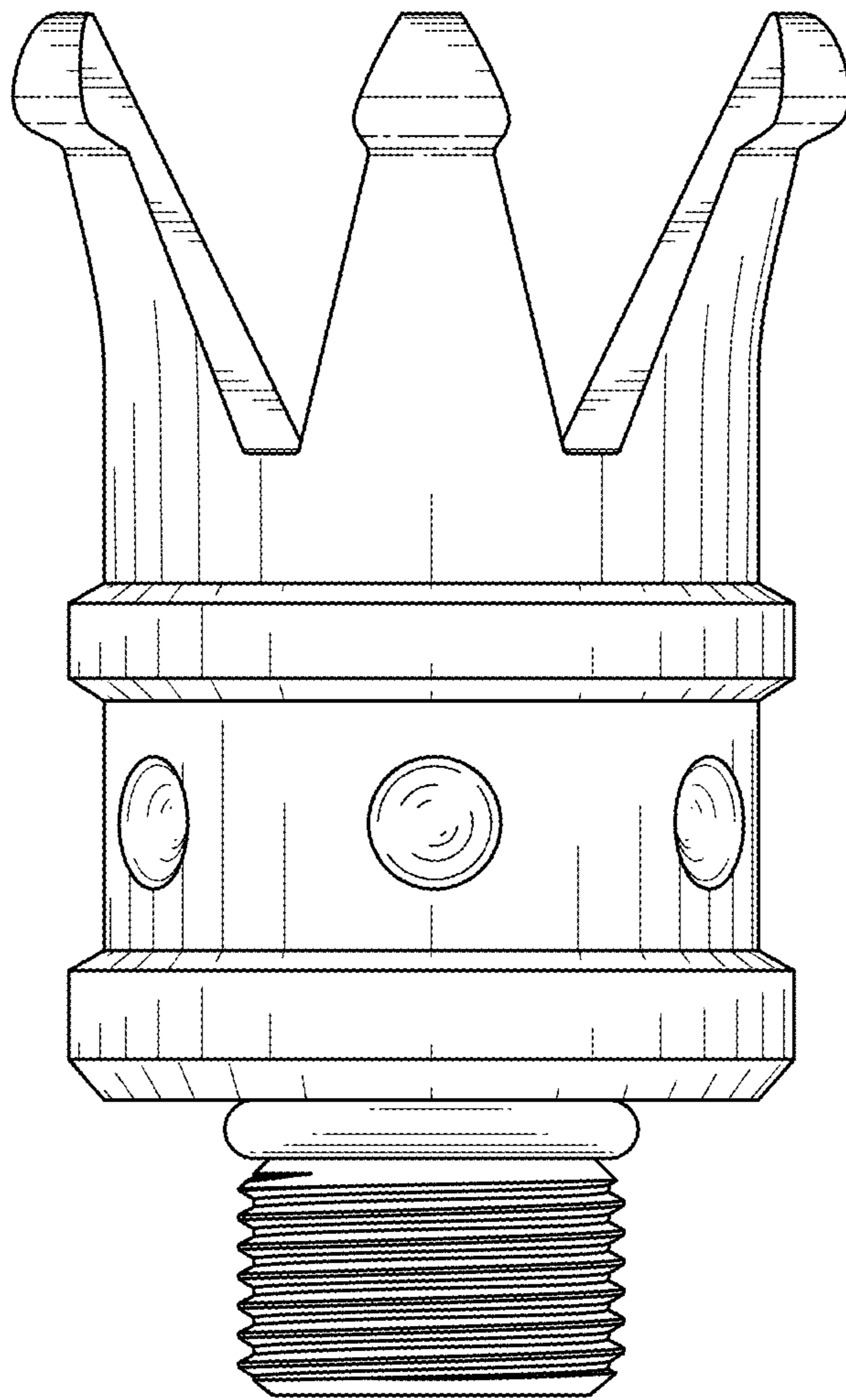


FIG. 5

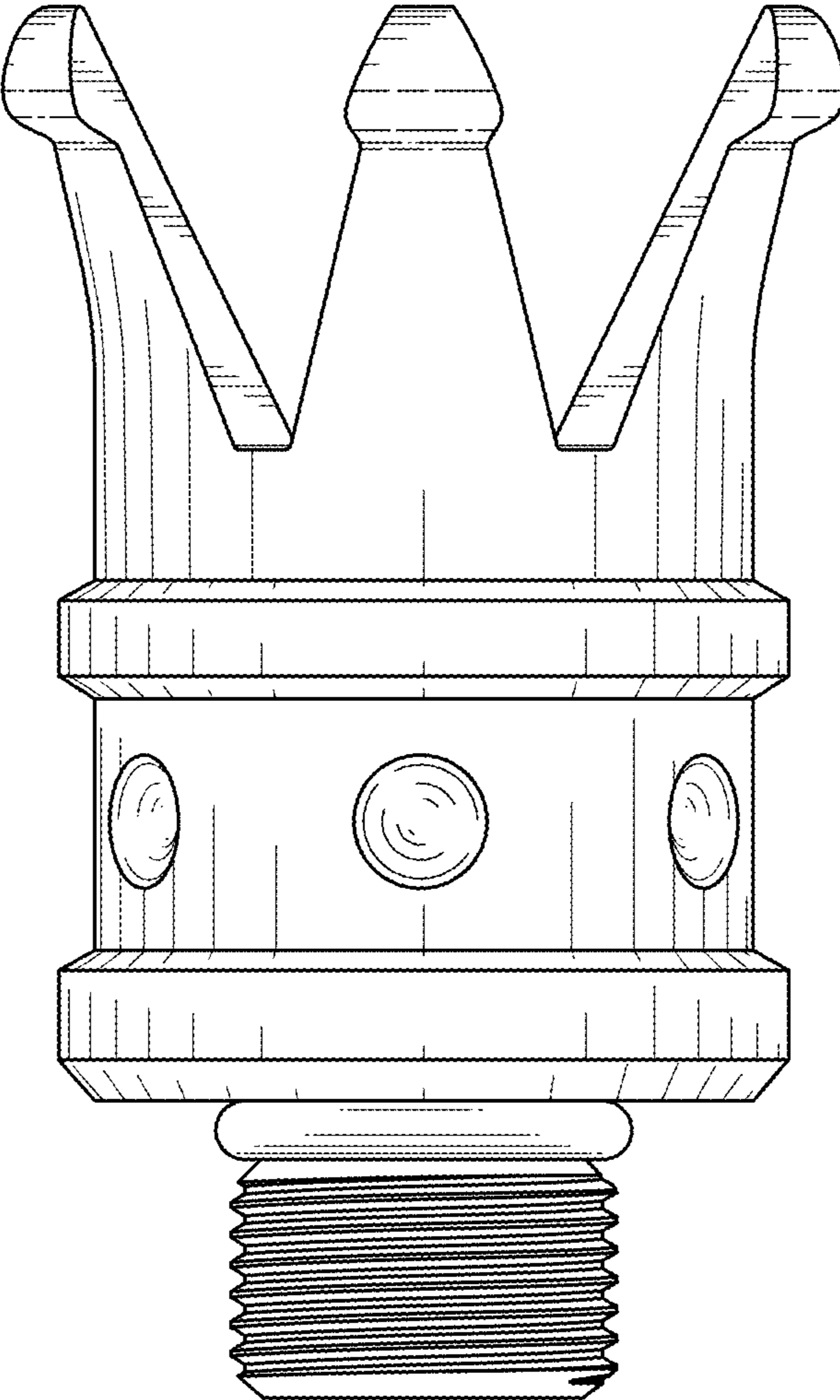


FIG. 6

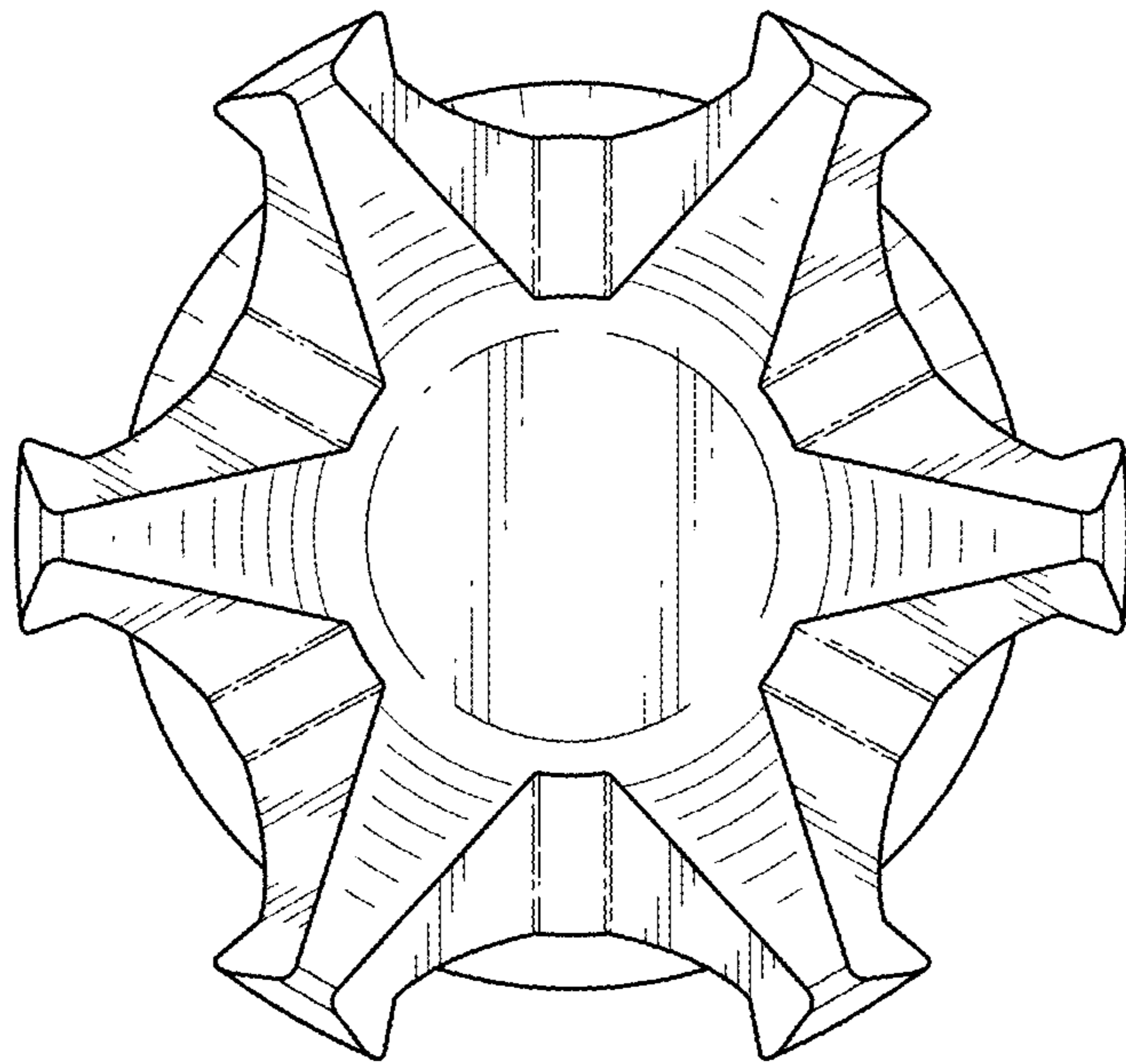


FIG. 7

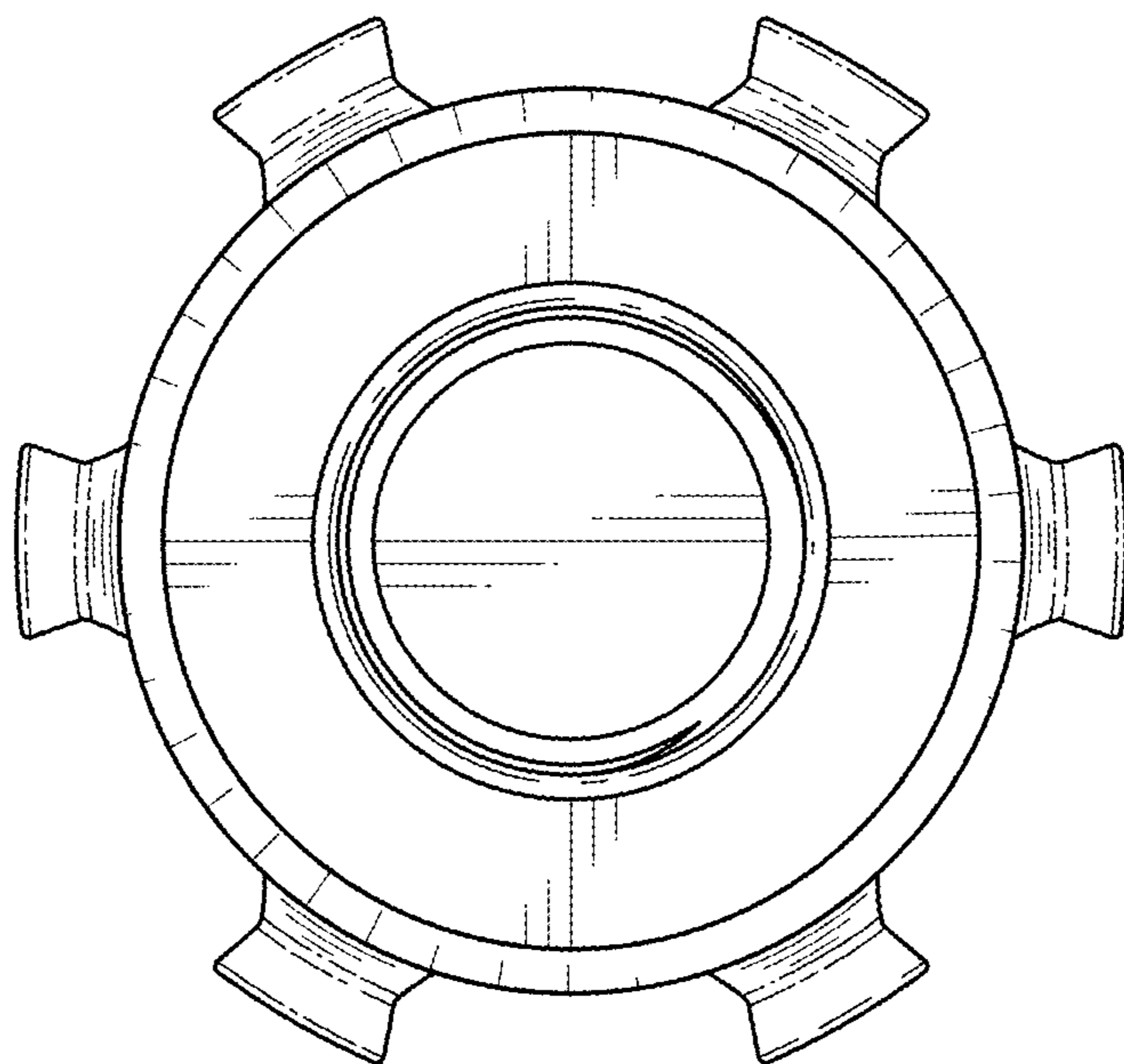


FIG. 8