



US00D805381S

(12) **United States Design Patent** (10) **Patent No.:** **US D805,381 S**
Baiz et al. (45) **Date of Patent:** **** Dec. 19, 2017**

(54) **LUG NUT CAP** D510,259 S * 10/2005 Yoshimoto D8/397
D590,243 S * 4/2009 Bush D8/397
(71) Applicants: **Enrique J. Baiz**, Miramar, FL (US); 8,016,535 B1 * 9/2011 Roberts F16B 41/005
Oswaldo Izquierdo, Homestead, FL 411/373
(US) D746,129 S * 12/2015 Kishida D8/399
D780,562 S * 3/2017 Baiz D8/387
(72) Inventors: **Enrique J. Baiz**, Miramar, FL (US); D781,691 S * 3/2017 Baiz D8/387
Oswaldo Izquierdo, Homestead, FL D786,056 S * 5/2017 Baiz D8/387
(US) D787,924 S * 5/2017 Baiz D8/387
D796,310 S * 9/2017 Baiz D8/397
2002/0098059 A1 * 7/2002 Schmidt F16B 37/14
411/399
(**) Term: **15 Years** 2013/0071204 A1 * 3/2013 Hunter F16B 37/14
411/373

(21) Appl. No.: **29/585,111**

(22) Filed: **Nov. 21, 2016**

(51) **LOC (10) Cl.** **08-08**

(52) **U.S. Cl.**
USPC **D8/397**

(58) **Field of Classification Search**
USPC D8/397, 394, 382, 349
CPC ... E04G 25/065; F16B 41/002; F16B 23/0061
See application file for complete search history.

(56) **References Cited**

U.S. PATENT DOCUMENTS

D243,154 S * 1/1977 Dieme D8/387
D268,565 S * 4/1983 Mortus D8/397
4,406,140 A * 9/1983 Wolter F16B 41/005
70/231
4,420,848 A * 12/1983 Becker B23K 11/002
470/22
4,850,776 A * 7/1989 Toth B23K 11/14
411/376
5,302,069 A * 4/1994 Toth B60B 7/00
411/373
D484,785 S * 1/2004 Plumer D8/397
D488,715 S * 4/2004 Plumer D8/397

* cited by examiner

Primary Examiner — Cynthia Underwood
(74) *Attorney, Agent, or Firm* — Quickpatents, LLC;
Kevin Prince

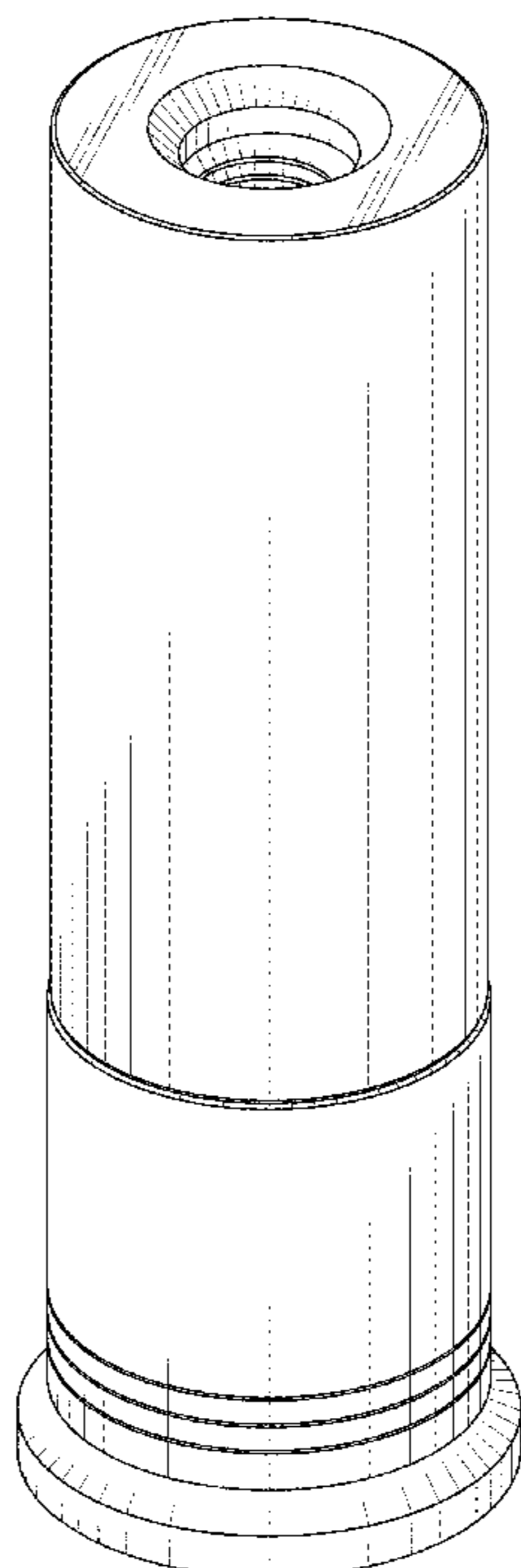
(57) **CLAIM**

We claim the ornamental design for a lug nut cap, as shown and described.

DESCRIPTION

FIG. 1 is a top perspective view of a lug nut cap, showing our new design;
FIG. 2 is a bottom perspective view thereof;
FIG. 3 is a front elevational view thereof, the rear elevational view, right-side elevational view, and left-side elevational view all being identical thereto;
FIG. 4 is a top plan view thereof;
FIG. 5 is a bottom plan view thereof; and,
FIG. 6 is a cross-sectional view thereof, taken along line 6-6 of FIG. 4.

1 Claim, 5 Drawing Sheets



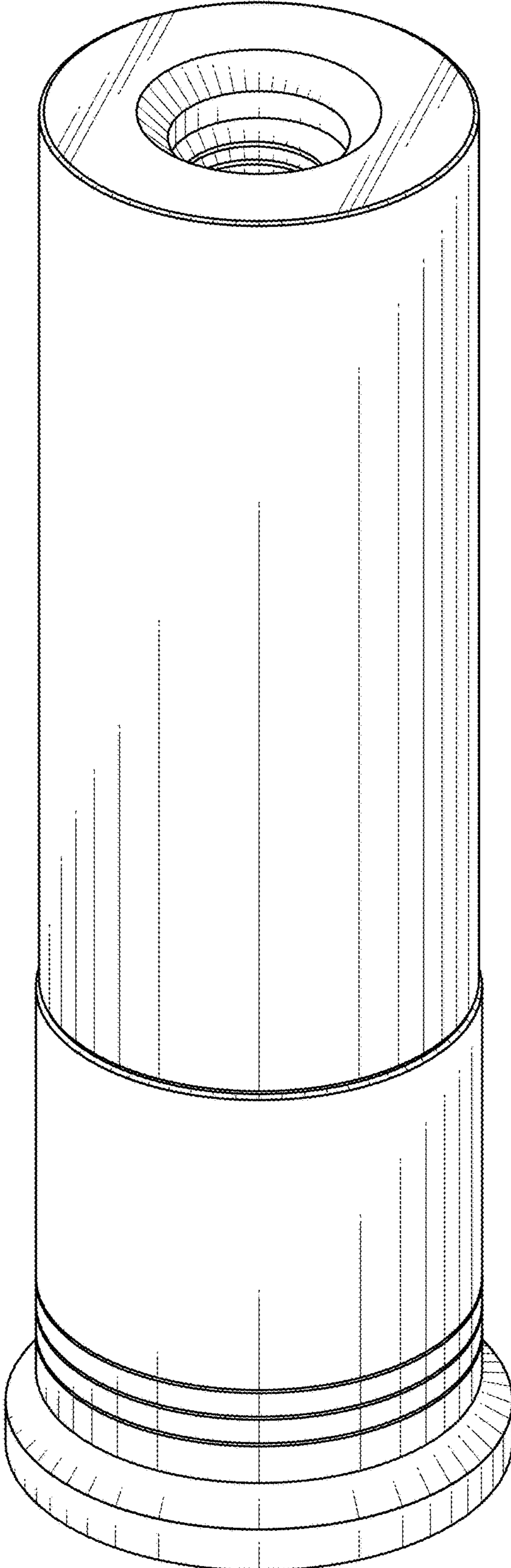


FIG. 1

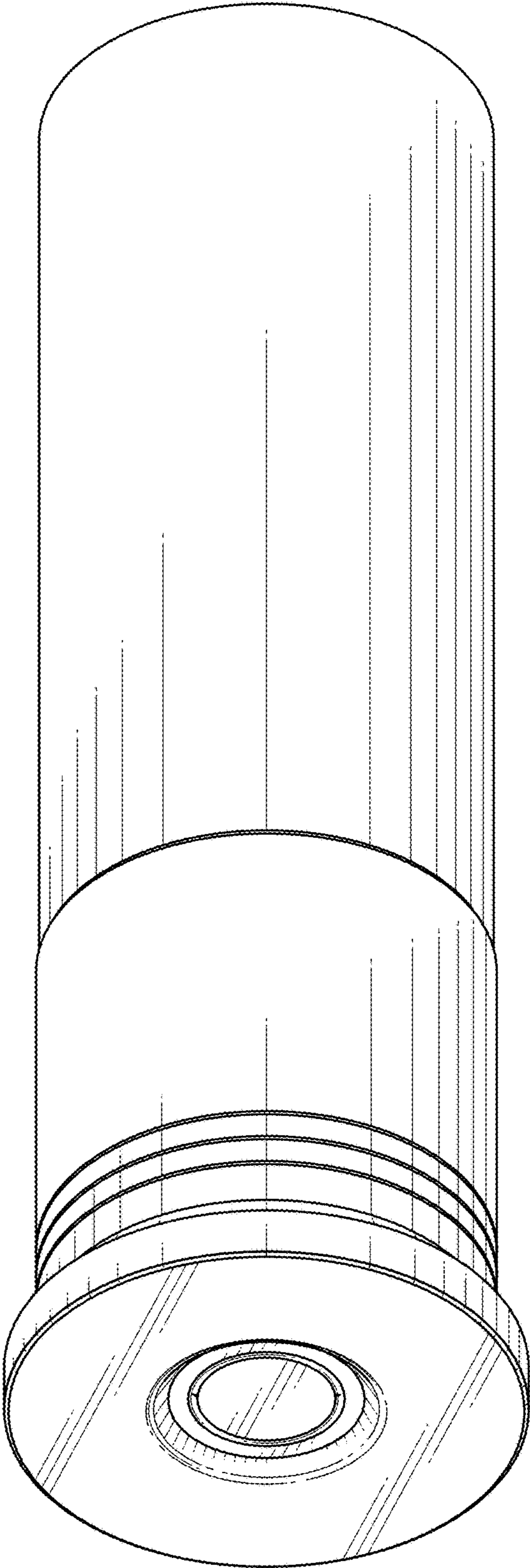


FIG. 2

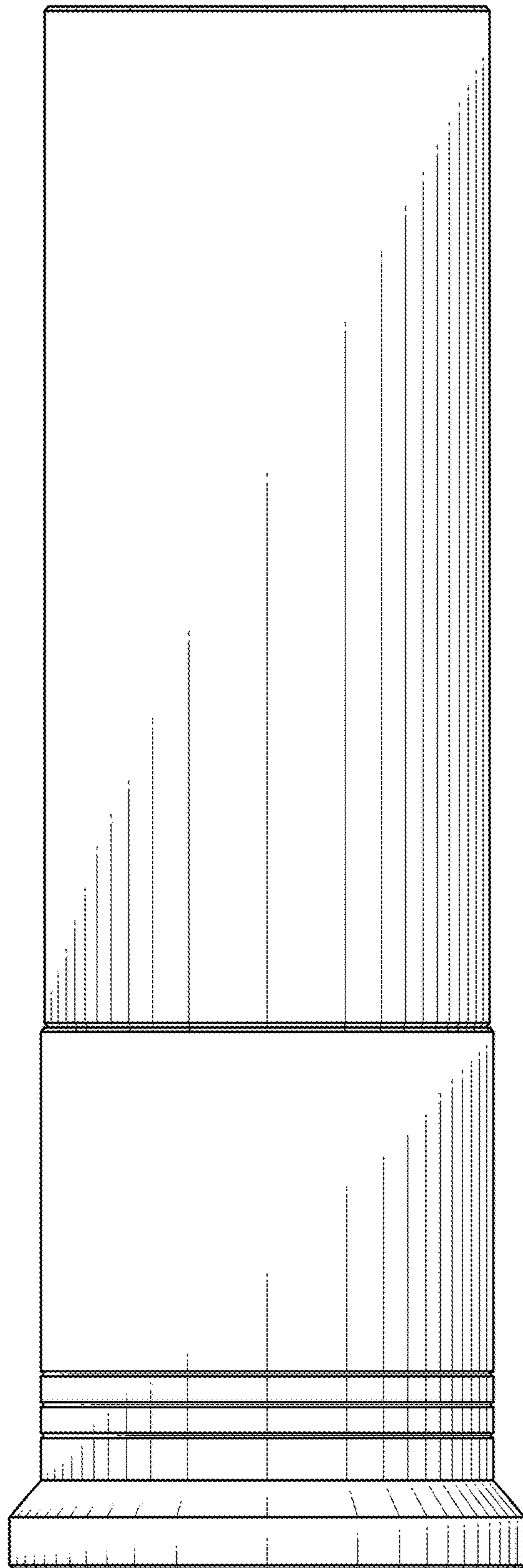


FIG. 3

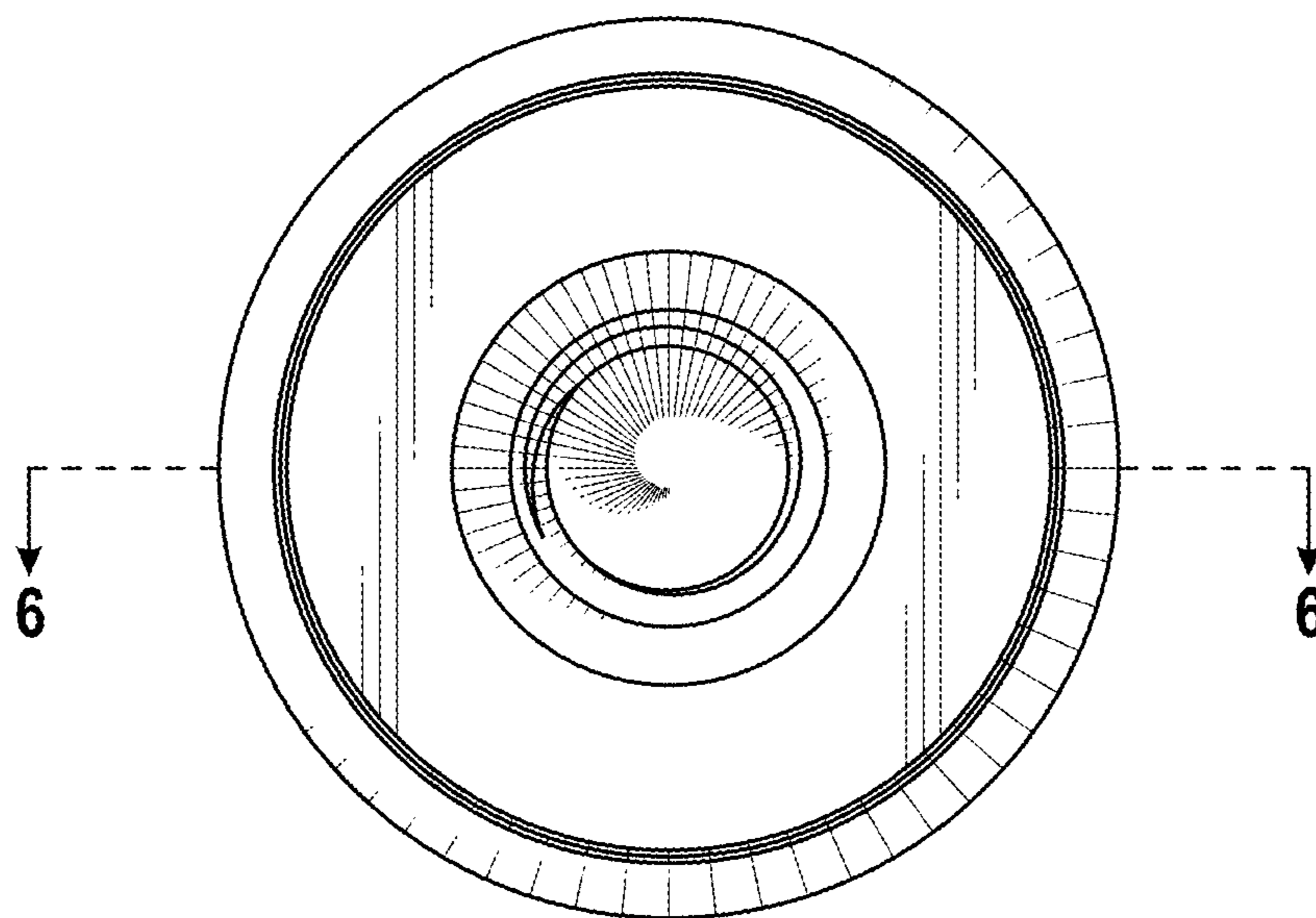


FIG. 4

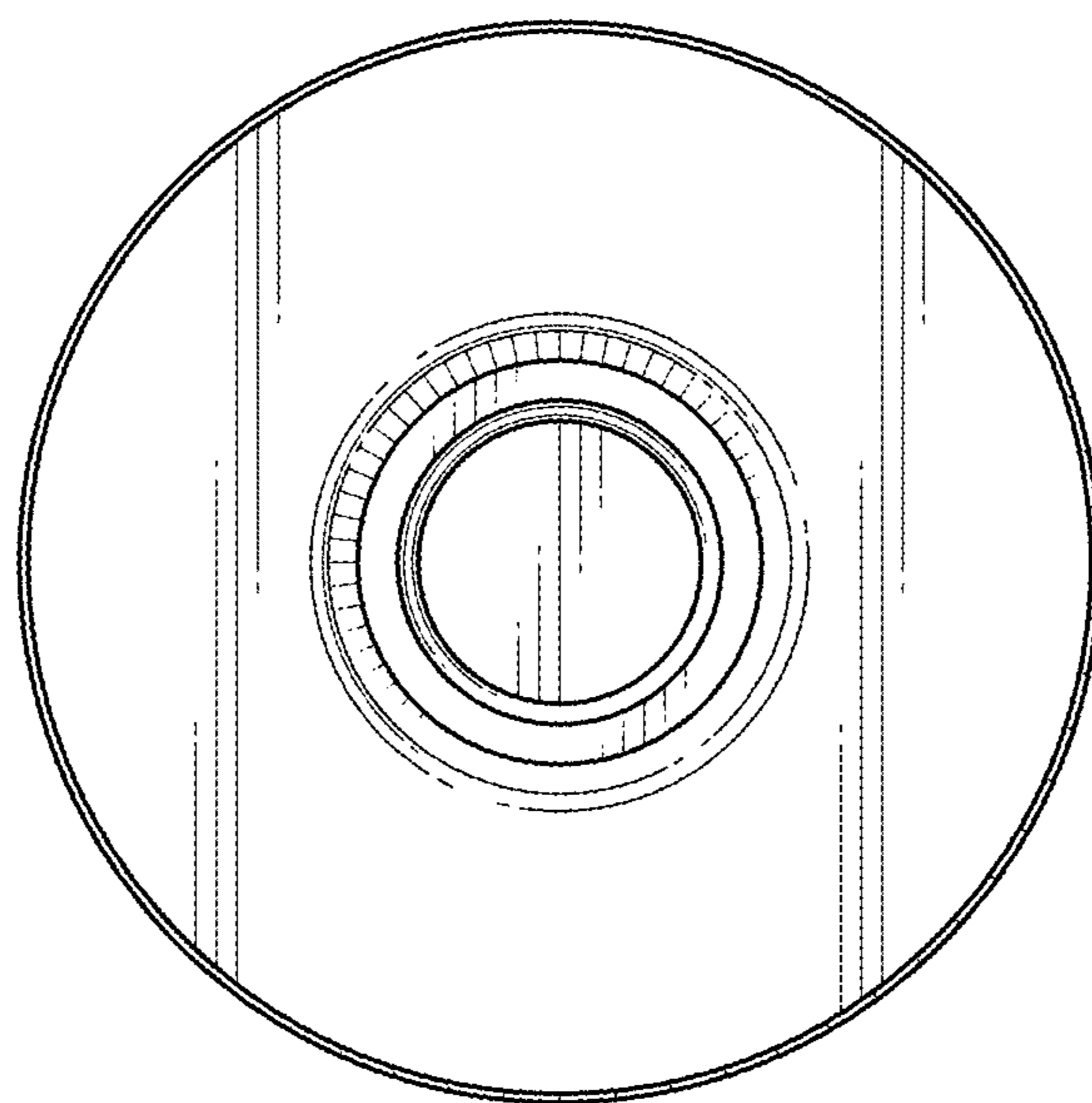


FIG. 5

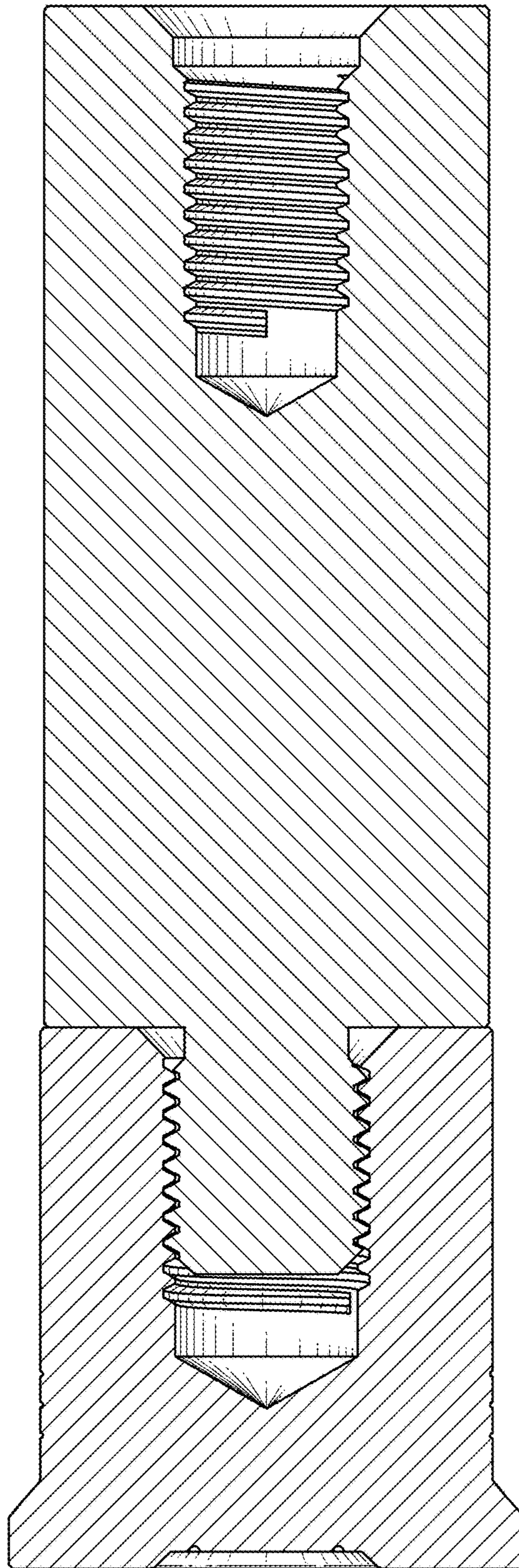


FIG. 6