



US00D805380S

(12) **United States Design Patent** (10) **Patent No.:** **US D805,380 S**
Chen et al. (45) **Date of Patent:** **** Dec. 19, 2017**

(54) **EXTENSION TOOL** 8,342,061 B2 * 1/2013 Super B25B 15/001
 81/177.85
 (71) Applicant: **YUAN LI HSING INDUSTRIAL** D698,637 S * 2/2014 Su D8/397
CO., LTD., Taichung (TW) 8,893,372 B2 * 11/2014 Fanourgiakis B25B 31/00
 173/51
 (72) Inventors: **Hui-Chien Chen, Taichung (TW);** 9,278,434 B2 * 3/2016 Merrick B25B 13/54
Chia-Yi Chen, Taichung (TW) D772,673 S * 11/2016 Chen D8/86
 9,623,487 B2 * 4/2017 Kozak B23B 45/005

(73) Assignee: **Yuan Li Hsing Industrial Co., Ltd.,**
Taichung (TW)

(**) Term: **15 Years**

(21) Appl. No.: **29/571,348**

(22) Filed: **Jul. 18, 2016**

(51) **LOC (10) Cl.** **08-08**

(52) **U.S. Cl.**
 USPC **D8/397**

(58) **Field of Classification Search**
 USPC D8/397, 394, 382, 349; 411/427
 CPC A61B 17/0401; E04D 13/1476; E04G
 25/065; F16B 41/002; F16B 23/0061
 See application file for complete search history.

(56) **References Cited**

U.S. PATENT DOCUMENTS

D245,395 S * 8/1977 Cognevich 279/144
 D316,363 S * 4/1991 Lisenbee D8/27
 5,676,026 A * 10/1997 Tsuboi F16H 61/0009
 474/11
 D416,267 S * 11/1999 Reilly D15/139
 6,332,382 B1 * 12/2001 Anderson B25B 15/001
 81/125
 D517,383 S * 3/2006 Walls, Jr. D8/29
 7,311,018 B1 * 12/2007 Liou B25B 13/005
 81/177.5
 D588,887 S * 3/2009 Lehman D8/29
 8,001,873 B2 * 8/2011 Peng B25B 23/0014
 403/57
 D655,586 S * 3/2012 Robledo D8/27
 8,176,817 B2 * 5/2012 Liu B25B 13/06
 81/177.75

Primary Examiner — Cynthia Underwood
 (74) *Attorney, Agent, or Firm* — Muncy, Geissler, Olds &
 Lowe, P.C.

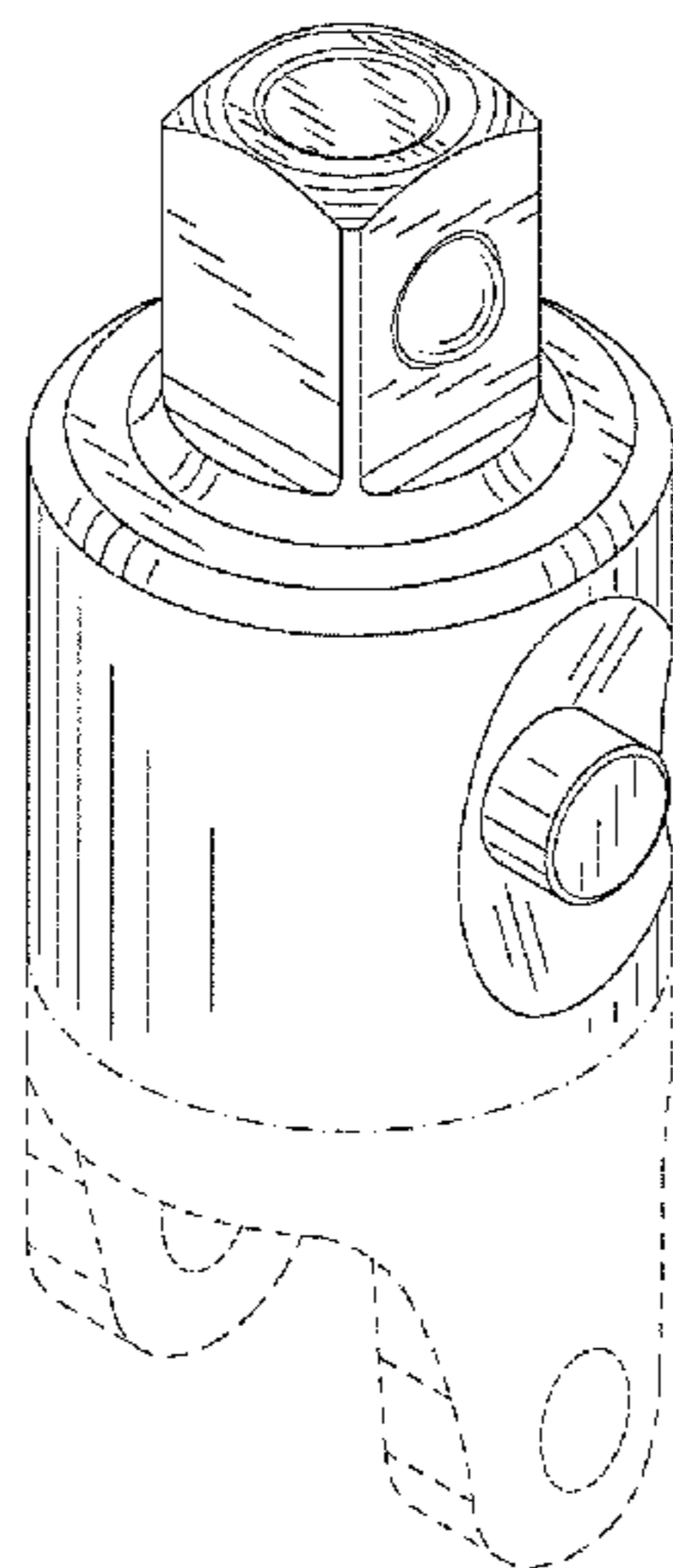
(57) **CLAIM**

We claim the ornamental design for an extension tool, as shown and described.

DESCRIPTION

FIG. 1 is a right, front, top perspective view of an extension tool showing our new design;
 FIG. 2 is a front elevational view thereof;
 FIG. 3 is a rear elevational view thereof;
 FIG. 4 is a left side view thereof;
 FIG. 5 is a right side view thereof;
 FIG. 6 is a top plan view thereof;
 FIG. 7 is a bottom plan view thereof;
 FIG. 8 is a right, front, bottom perspective view of the extension tool thereof;
 FIG. 9 is a right, front, top perspective view showing the extension tool in a second environment use thereof;
 FIG. 10 is a right, front, bottom perspective view thereof;
 FIG. 11 is a right, front, top perspective view showing the extension tool in a third environment use thereof; and,
 FIG. 12 is a right, front, top perspective view showing the extension tool in a fourth environment use thereof.
 The broken lines represent environment that forms no part of the claim. The dot-dashed line in the figures defines the boundary and forms no part of the claimed design.

1 Claim, 9 Drawing Sheets



(56)

References Cited

U.S. PATENT DOCUMENTS

2003/0002950 A1* 1/2003 Jameson F16B 31/02
411/3
2009/0151515 A1* 6/2009 Veltri B25B 15/008
81/52

* cited by examiner

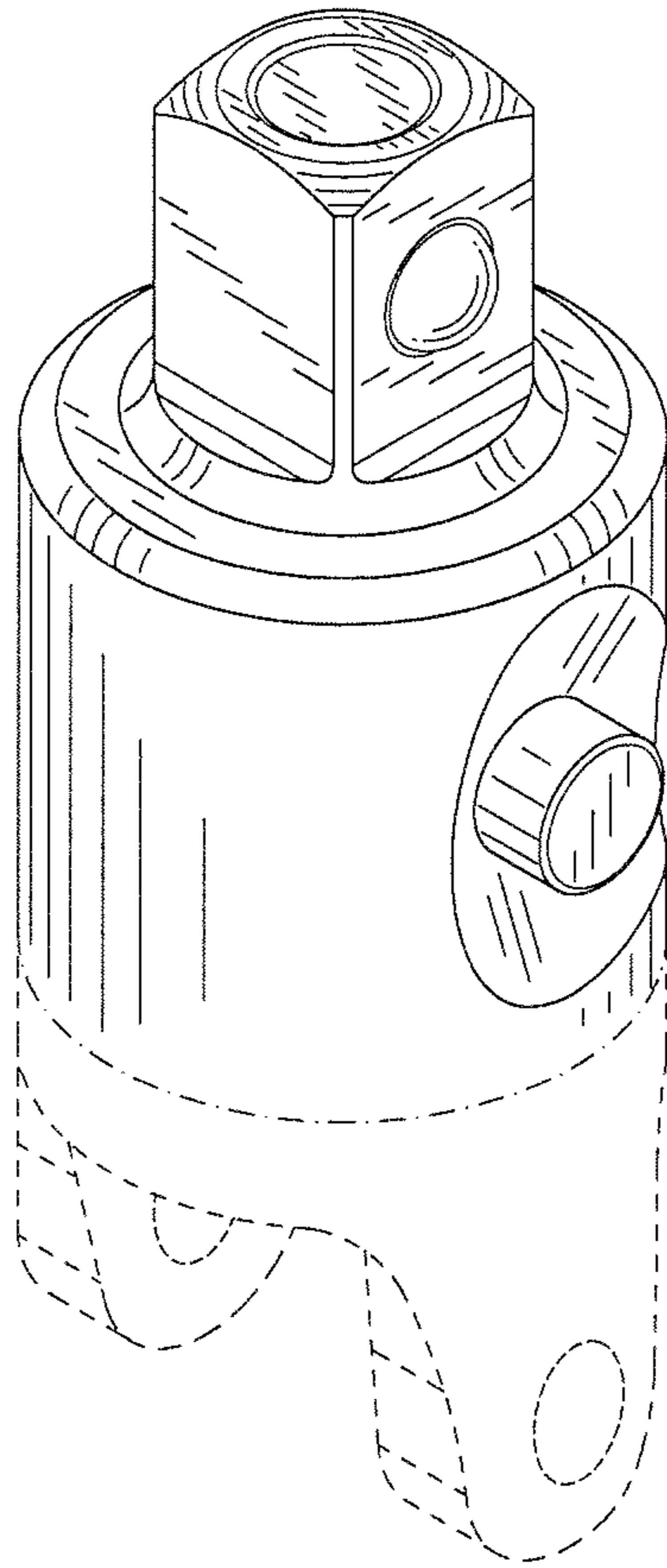


FIG. 1

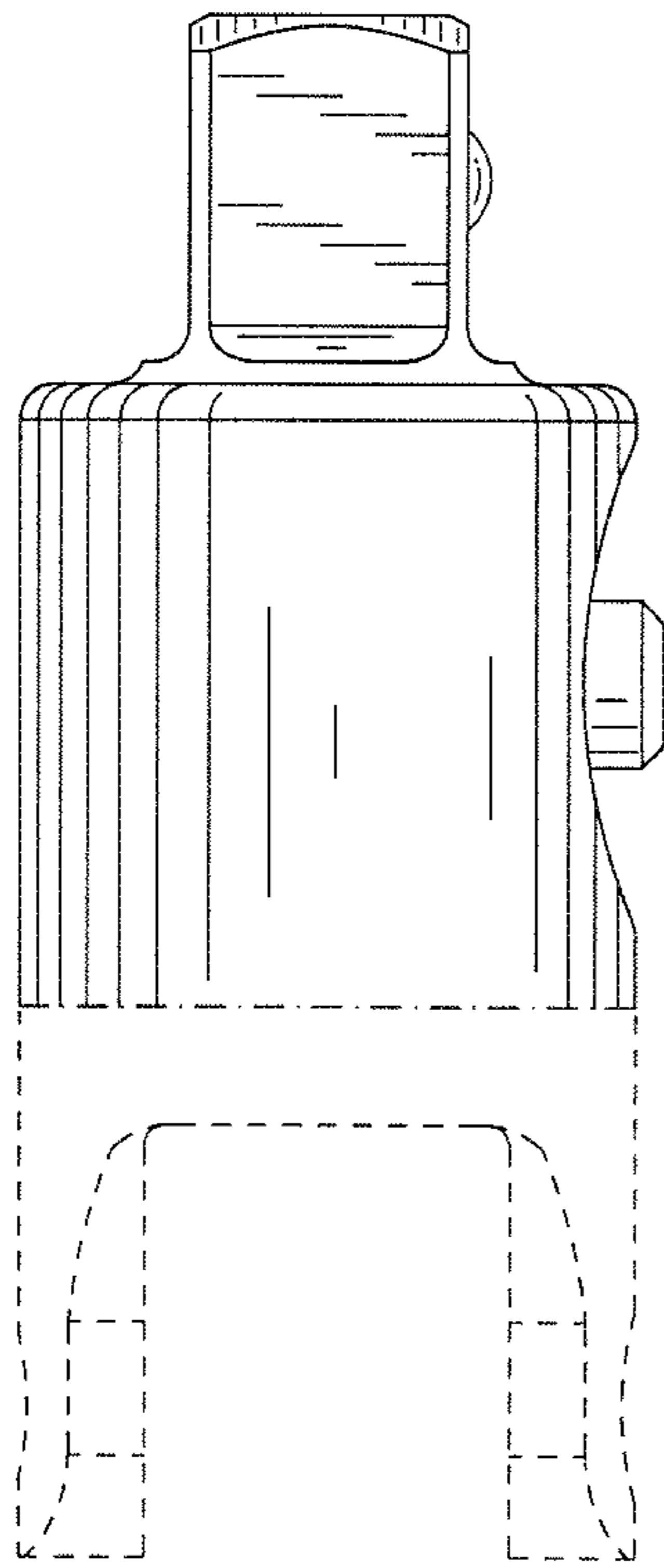


FIG. 2

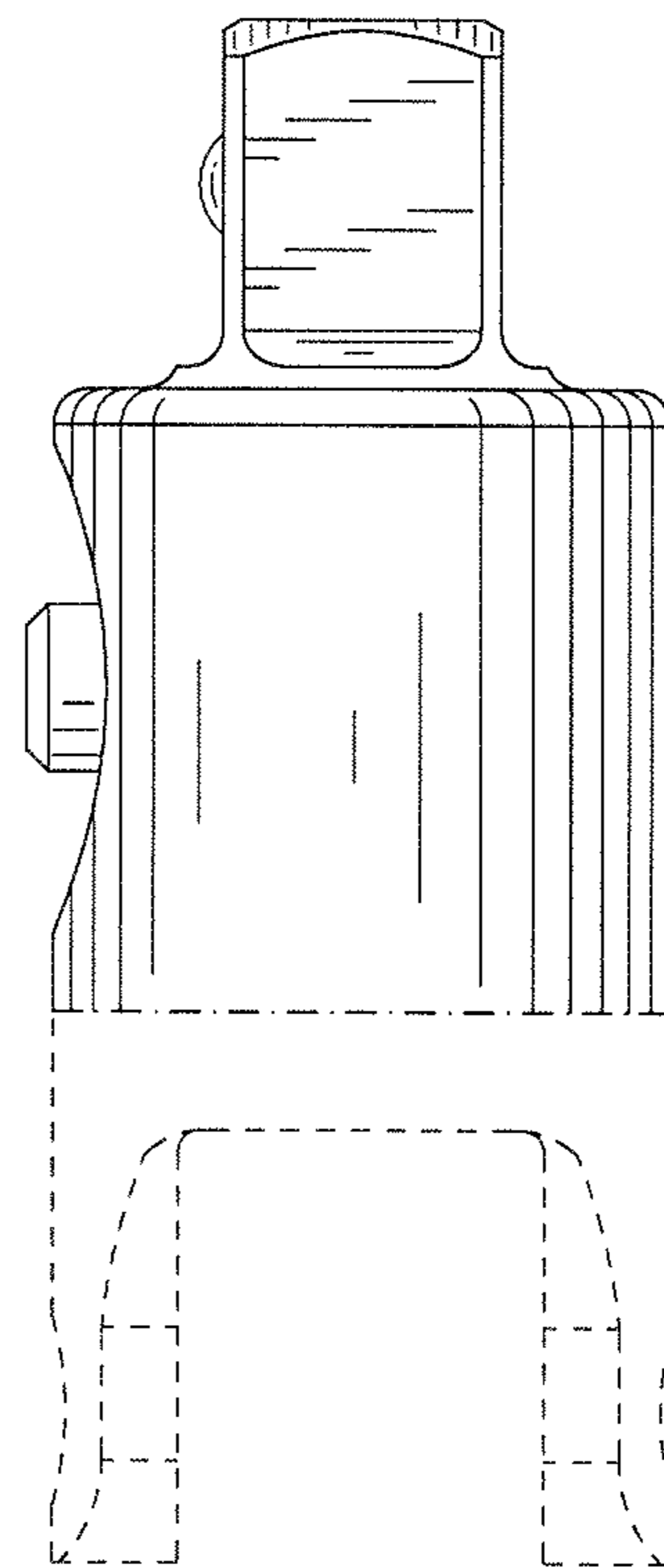


FIG. 3

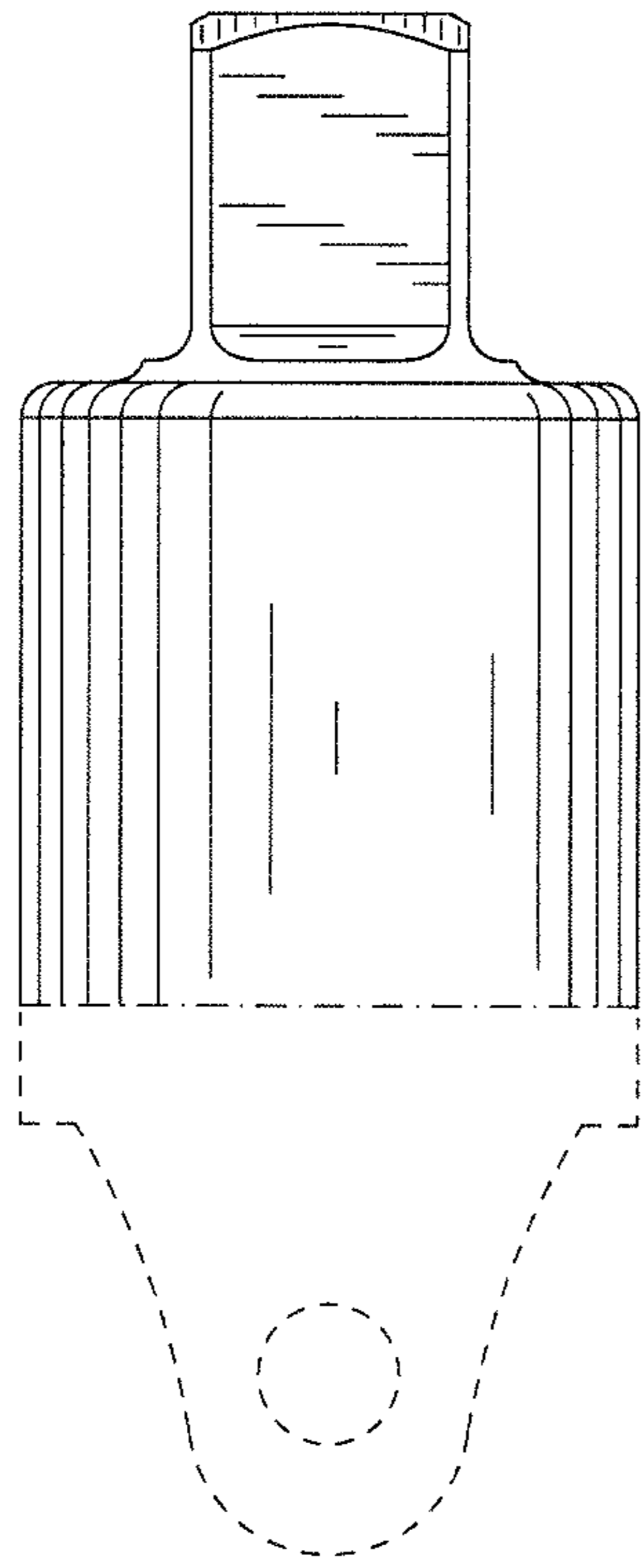


FIG. 4

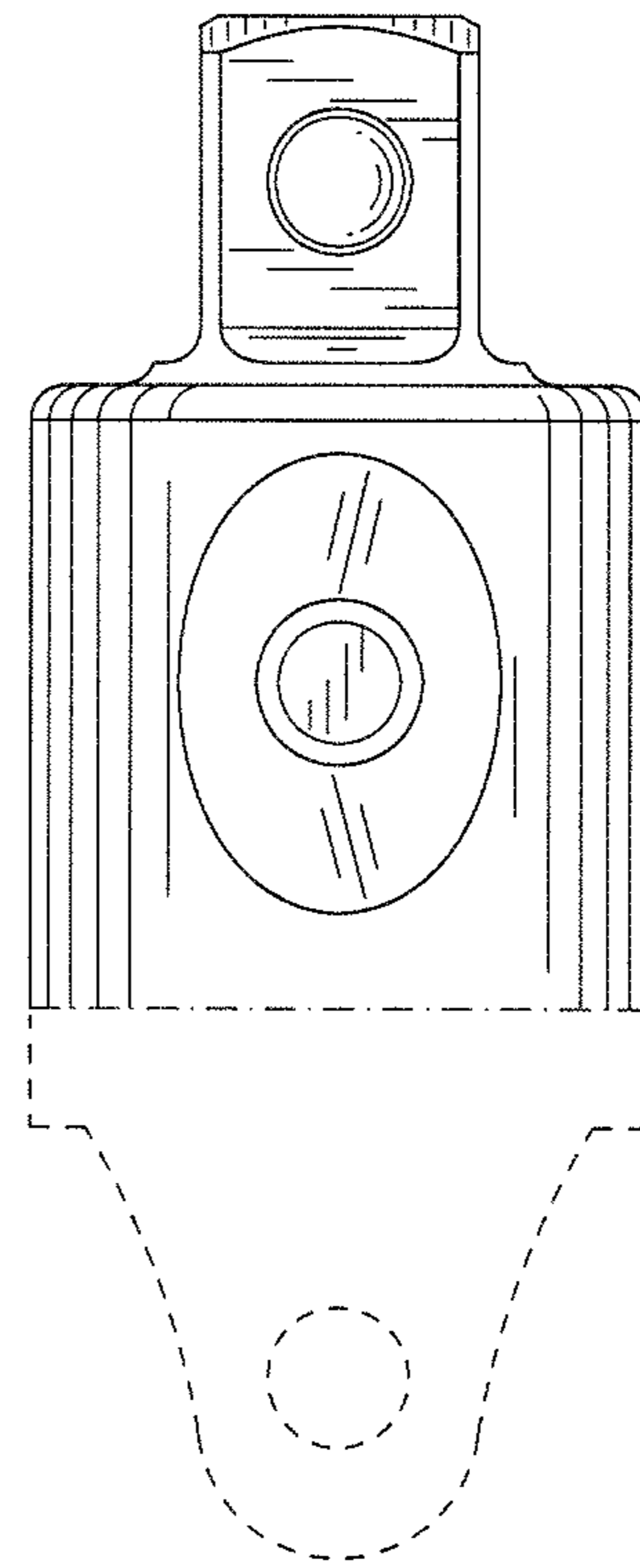


FIG. 5

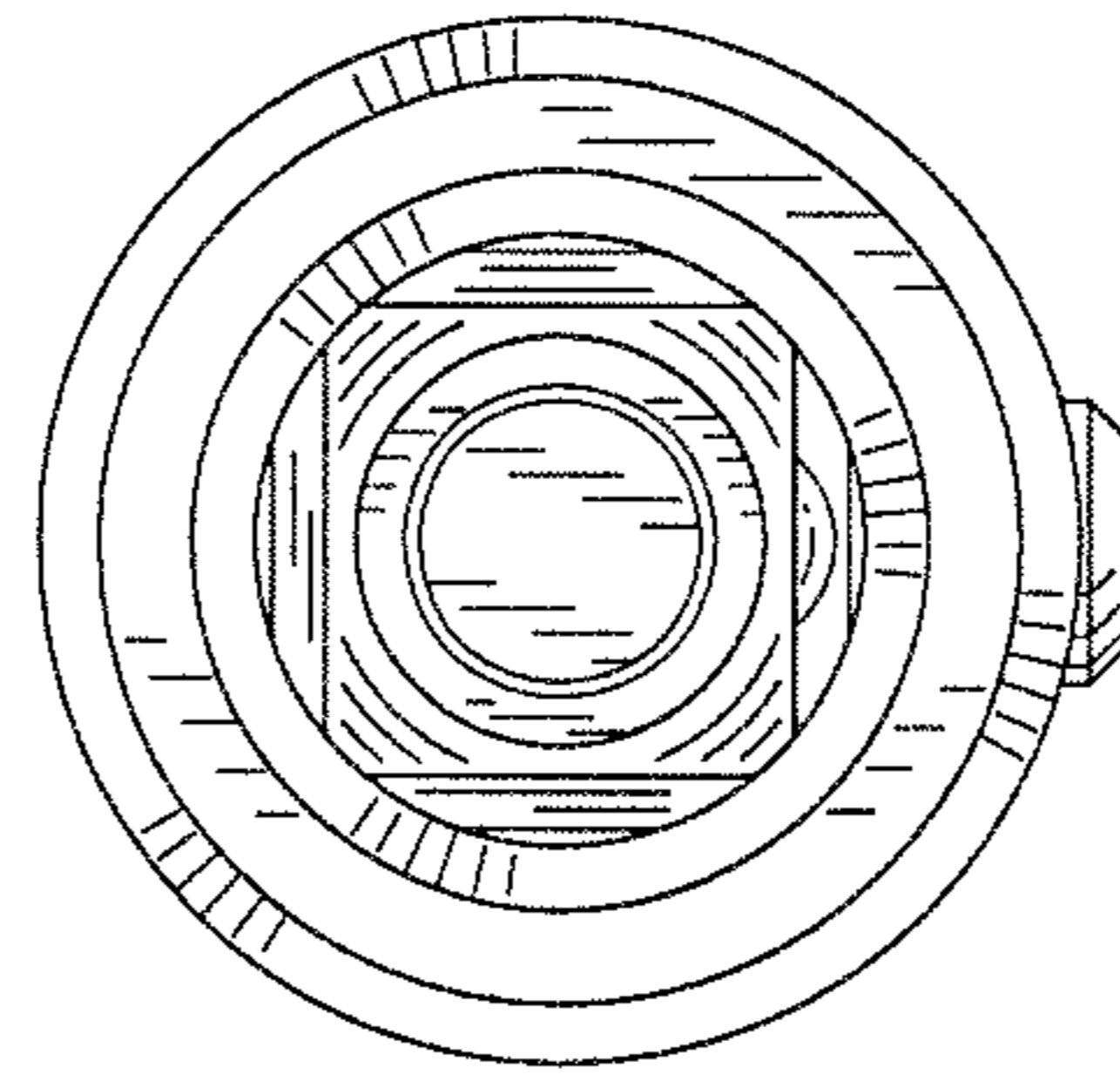


FIG. 6

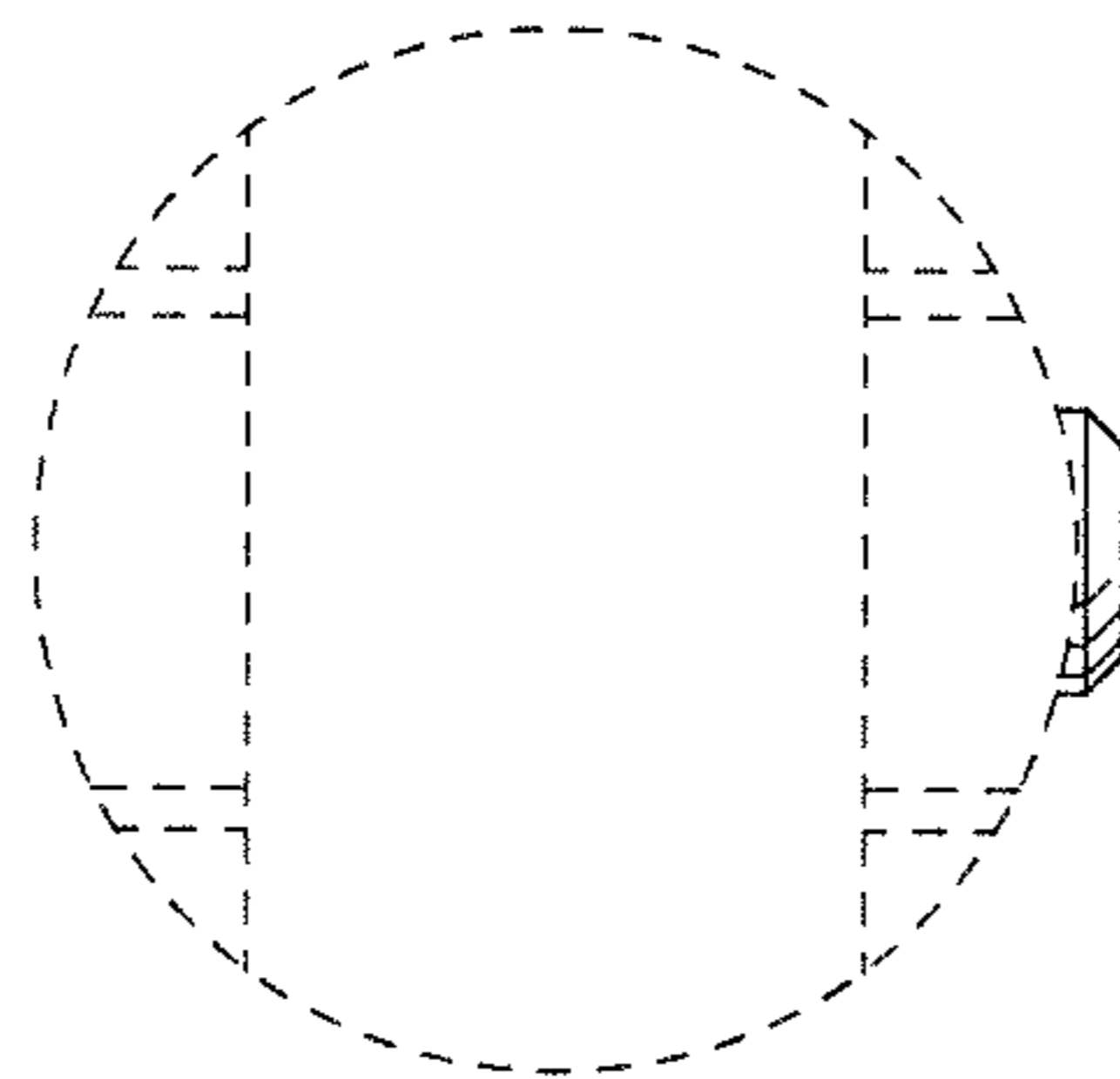


FIG. 7

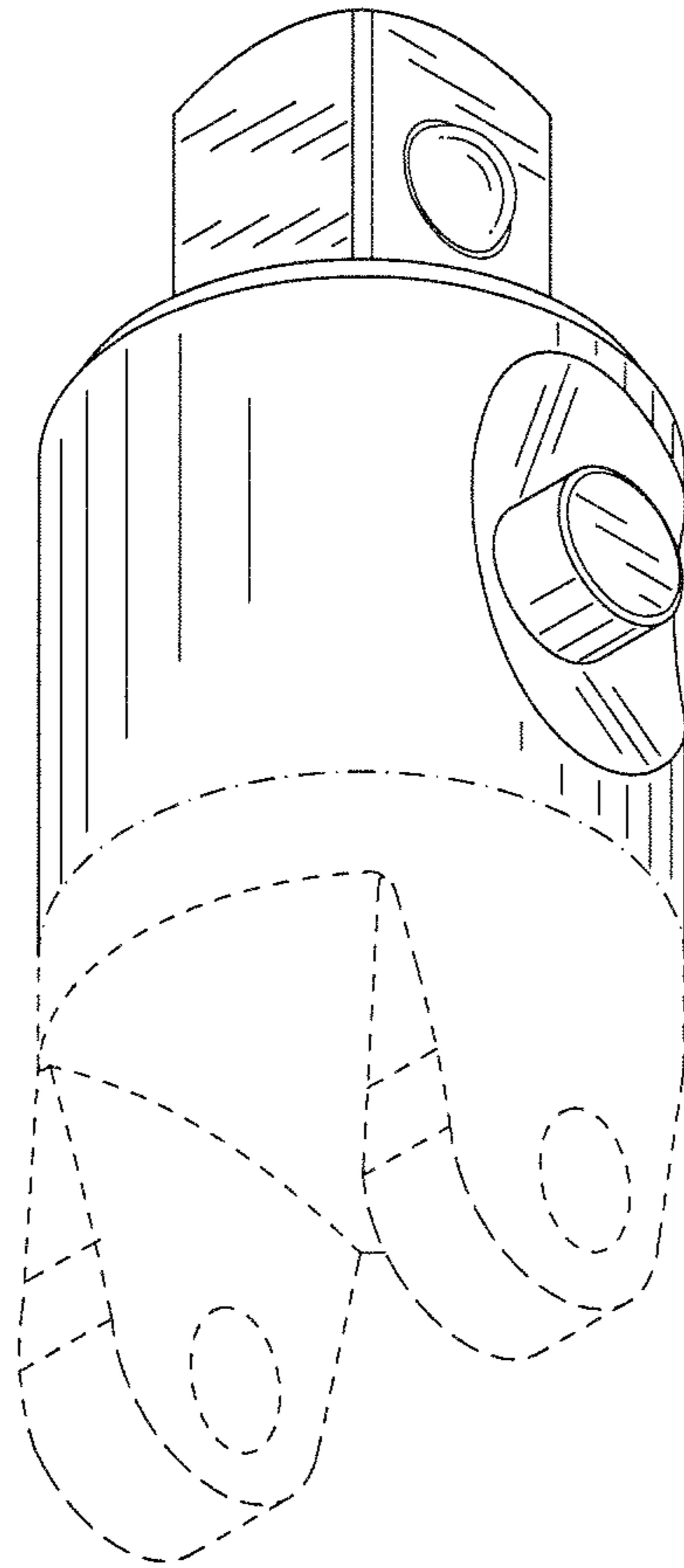


FIG. 8

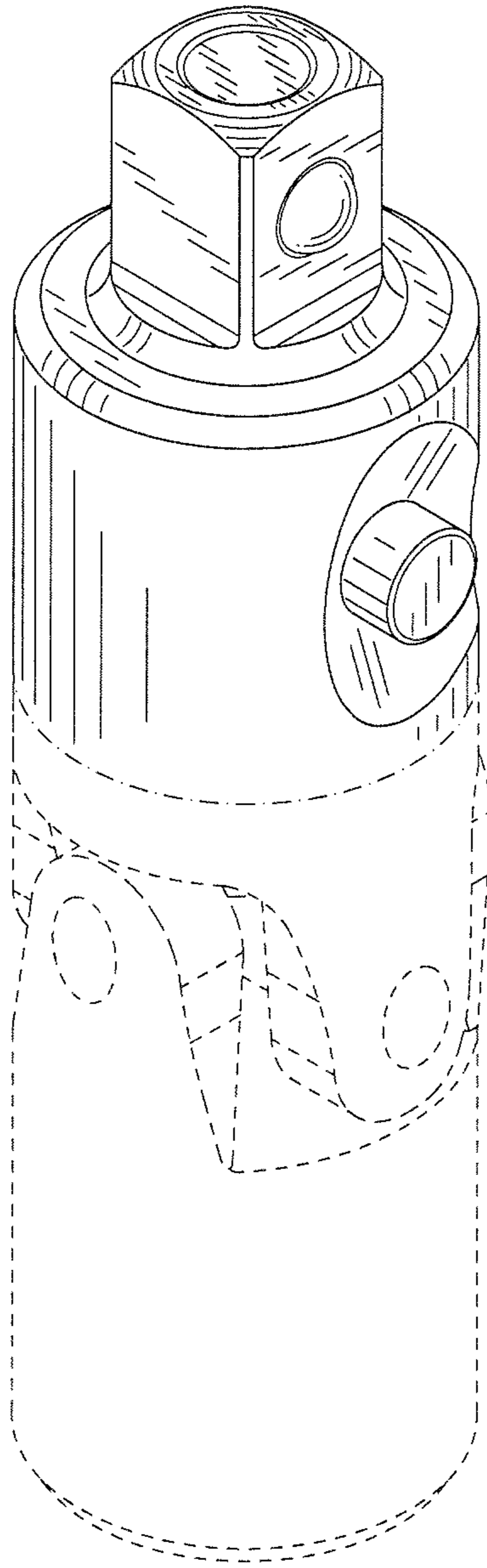


FIG. 9

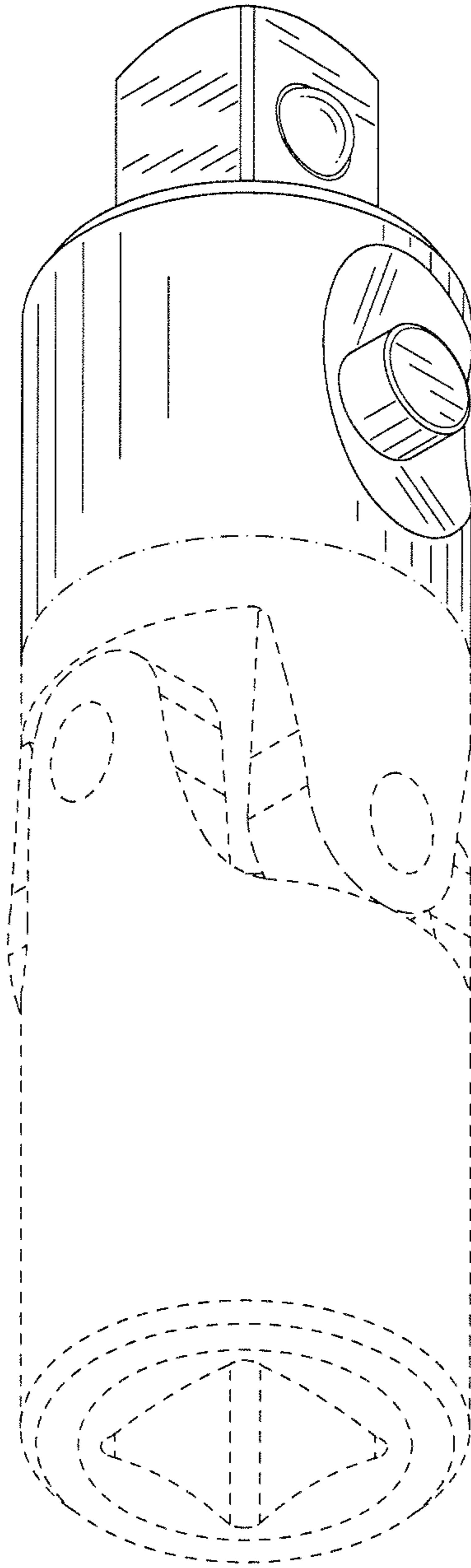


FIG. 10

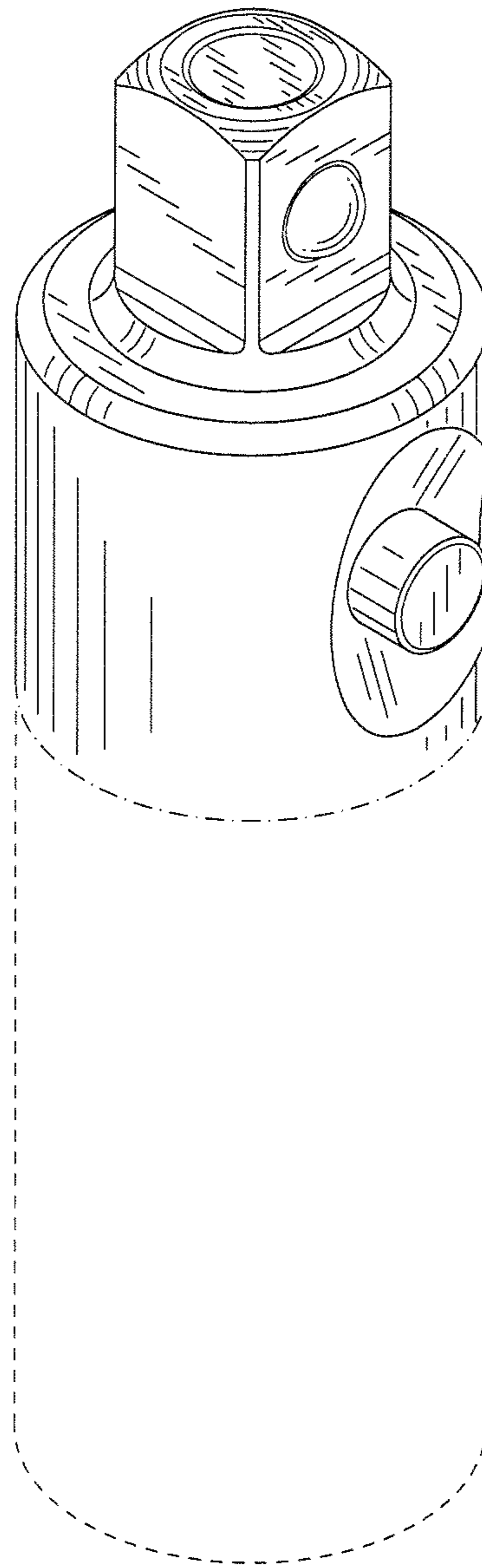


FIG. 11

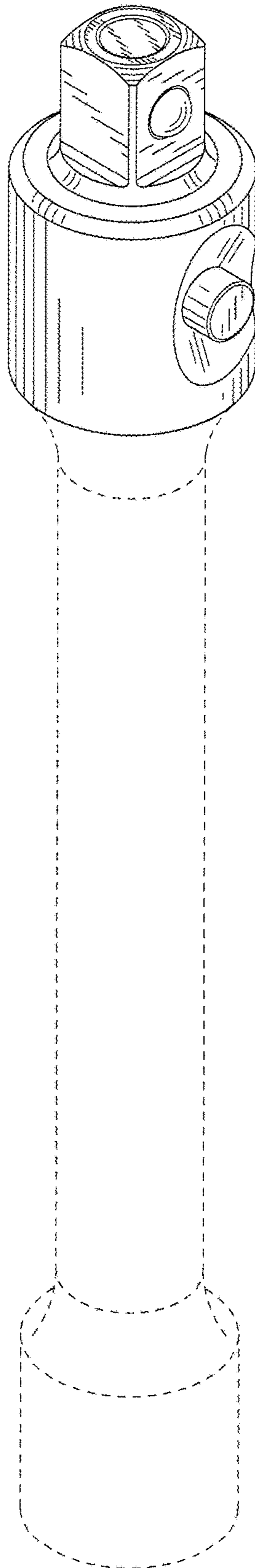


FIG. 12