



US00D805379S

(12) **United States Design Patent** (10) **Patent No.:** **US D805,379 S**
Oniszcuk et al. (45) **Date of Patent:** **** Dec. 19, 2017**

(54) **MASKING PLUG**

(71) Applicant: **Engineered Products and Services, Inc.**, Franksville, WI (US)

(72) Inventors: **Andrew W. Oniszcuk**, Pleasant Prairie, WI (US); **Mario Lopez, Jr.**, Mt. Pleasant, WI (US)

(73) Assignee: **Engineered Products and Services, Inc.**, Franksville, WI (US)

(**) Term: **15 Years**

(21) Appl. No.: **29/557,718**

(22) Filed: **Mar. 11, 2016**

(51) **LOC (10) Cl.** **08-08**

(52) **U.S. Cl.**

USPC **D8/397**

(58) **Field of Classification Search**

USPC D8/397, 394, 382, 349; D23/260

CPC A61B 17/0401; E04D 13/1476; E04G 25/065; F16B 41/002; F16B 23/0061

See application file for complete search history.

(56) **References Cited**

U.S. PATENT DOCUMENTS

1,115,307	A *	10/1914	Guffee	F16B 41/002
					29/235
2,630,805	A *	3/1953	Brehm	A61M 3/0279
					604/104
2,670,737	A *	3/1954	Cantor	A61F 11/08
					128/864
3,222,976	A *	12/1965	Holman	F16B 23/0061
					301/35.623
D225,970	S *	1/1973	O'Donnell	D8/387
D235,342	S *	6/1975	Otto	D23/260
4,314,553	A *	2/1982	Westerdal	A61F 11/08
					128/201.18
4,333,660	A *	6/1982	Cupit	E04D 13/1476
					277/630
D268,565	S *	4/1983	Mortus	D8/397

(Continued)

OTHER PUBLICATIONS

Echo Supply, "Silicone Leading Thread Boss Plugs," available Nov. 5, 2015 <<http://store.echosupply.com/finishing-supplies-products.aspx?ID=98>> (6 pages).

(Continued)

Primary Examiner — Cynthia Underwood

(74) *Attorney, Agent, or Firm* — Michael Best & Friedrich LLP

(57) **CLAIM**

We claim the ornamental design for a masking plug, as shown and described.

DESCRIPTION

FIG. 1 is a perspective view of a masking plug according to an embodiment of the invention.

FIG. 2 is a first side view of the masking plug shown in FIG. 1.

FIG. 3 is a second side view of the masking plug shown in FIG. 1.

FIG. 4 is a third side view of the masking plug shown in FIG. 1.

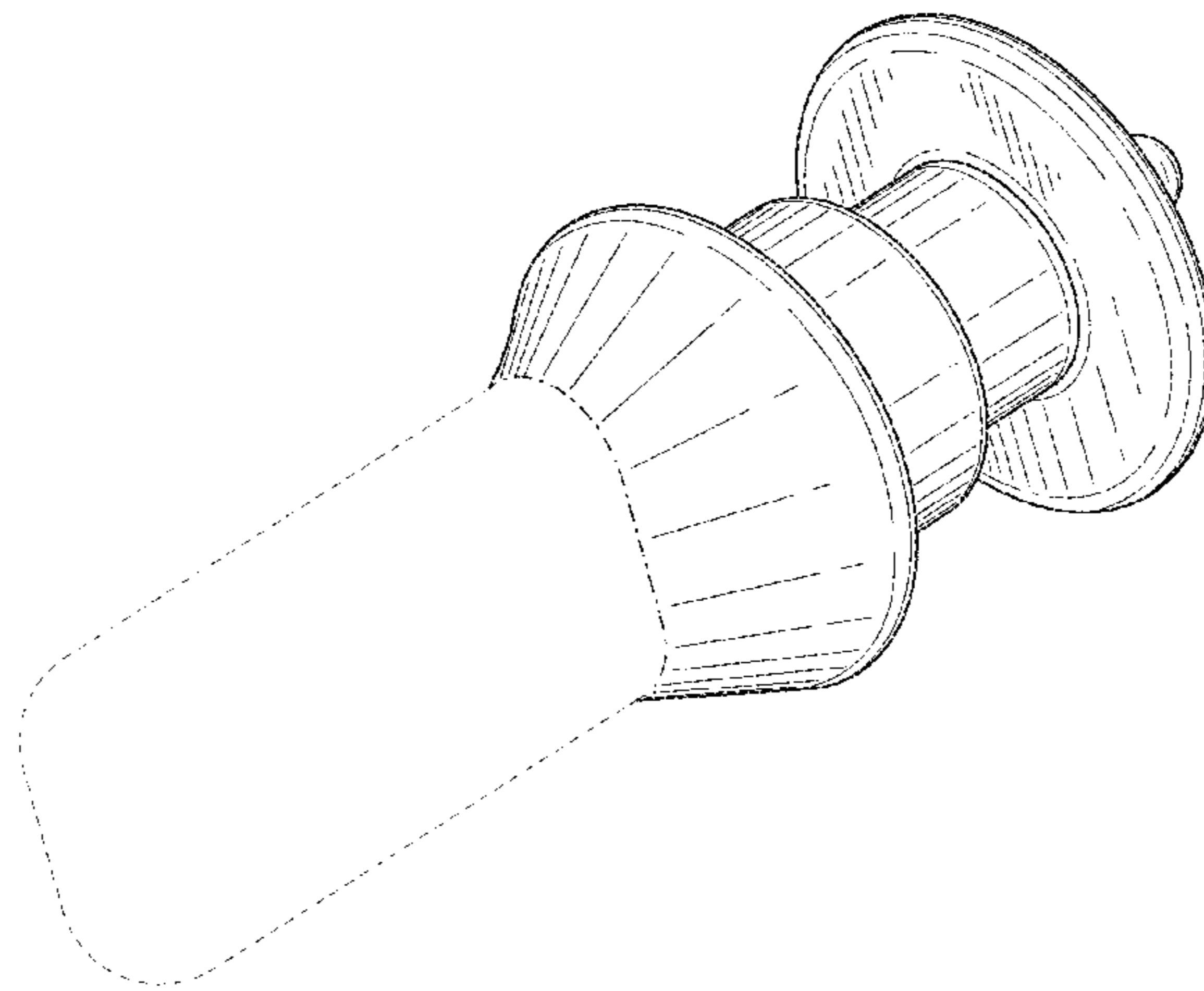
FIG. 5 is a fourth side view of the masking plug shown in FIG. 1.

FIG. 6 is a bottom side view of the masking plug shown in FIG. 1; and,

FIG. 7 is a top side view of the masking plug shown in FIG. 1.

The present application is directed to the design illustrated in the drawings. The elements shown in broken lines are included for the purpose of illustrating environment and form no part of the claimed design. The broken lines having unequal line segments illustrate the boundary of the claim.

1 Claim, 4 Drawing Sheets



(56)

References Cited

U.S. PATENT DOCUMENTS

D273,614 S * 4/1984 Rolla D24/106
 D335,852 S * 5/1993 Carles D12/160
 D381,897 S * 8/1997 Matthiesen D22/116
 D408,526 S * 4/1999 Westerdal D24/106
 D421,791 S * 3/2000 Ohtani D23/260
 D427,511 S * 7/2000 Weld D8/397
 6,155,987 A * 12/2000 Scherl A61F 11/006
 6,361,258 B1 * 3/2002 Heesch F16B 23/0084
 6,387,129 B2 * 5/2002 Rieser A61B 17/8615
 D460,398 S * 7/2002 Berry D12/213
 6,540,750 B2 * 4/2003 Burkhart A61B 17/0401
 6,692,083 B2 * 2/2004 Latham E21C 35/18
 D549,568 S * 8/2007 Schaeffer D8/397
 7,252,471 B1 * 8/2007 Manyoky F16B 37/00
 7,392,674 B1 * 7/2008 Grote F16B 37/14
 D581,777 S * 12/2008 Huang D8/397
 D592,748 S * 5/2009 Boulton A61F 11/006
 7,814,709 B1 * 10/2010 Resech E04D 13/1407
 D647,393 S * 10/2011 Carrillo, Sr. D8/387
 D676,877 S * 2/2013 Drenth D15/21
 D720,208 S * 12/2014 Jordan D8/397
 D731,300 S * 6/2015 Vargas D8/397
 D738,265 S * 9/2015 McNeeley D12/118

9,206,832 B1 * 12/2015 Maddux F16B 37/14
 D765,855 S * 9/2016 Ben-Yehuda D24/156
 D780,563 S * 3/2017 Baiz D8/387
 D780,564 S * 3/2017 Baiz D8/387
 D785,538 S * 5/2017 Jordan D12/213
 D786,057 S * 5/2017 Baiz D8/397
 D787,306 S * 5/2017 Baiz D8/397
 2014/0074163 A1 * 3/2014 West, Jr. A61B 17/0401
 2014/0222072 A1 * 8/2014 Gerber A61B 17/0401
 2014/0249579 A1 * 9/2014 Heaven A61B 17/0401
 2017/0051780 A1 * 2/2017 Dickinson B29C 45/006
 2017/0130760 A1 * 5/2017 Thiele F16B 39/24
 2017/0150959 A1 * 6/2017 Berelsman A61B 17/0401
 2017/0151007 A1 * 6/2017 Philipon A61B 17/8888
 2017/0151054 A1 * 6/2017 Stone A61F 2/0811

OTHER PUBLICATIONS

Caplug's (Shercon's), "Dual Flanged Pull Plugs," available Nov. 5, 2015 <https://www.caplugs.com/series/Dual_Flanged_Pull_Plugs/1077.html> (2 pages).
 Aaron, "DWPP Silicone Double Washer Pull Plugs," available Nov. 5, 2015 <http://argonusa.com/plugs/silicone_double_washer_pull_plugs.htm> (1 page).
 Epifatech, "Double Washer Nut Plug," available Nov. 5, 2015 <<http://www.epifatech.se/uk/masking/double-washer-nut-plug/>> (1 page).
 EPSI, "Double Washer Plug," available Nov. 5, 2015 <<http://www.epsi.com/dwp-series-double-washer-pull-plugs>> (2 pages).

* cited by examiner

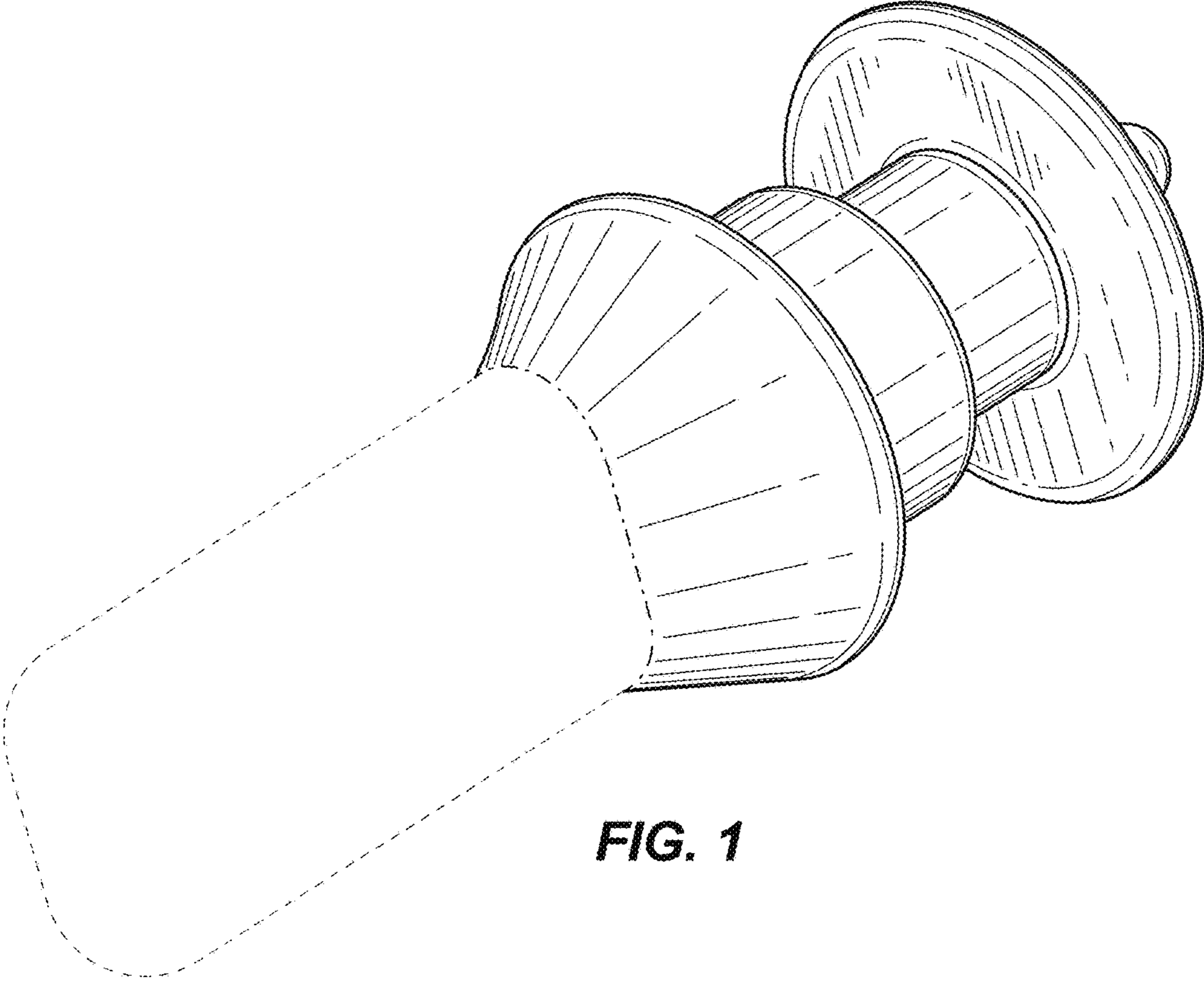


FIG. 1

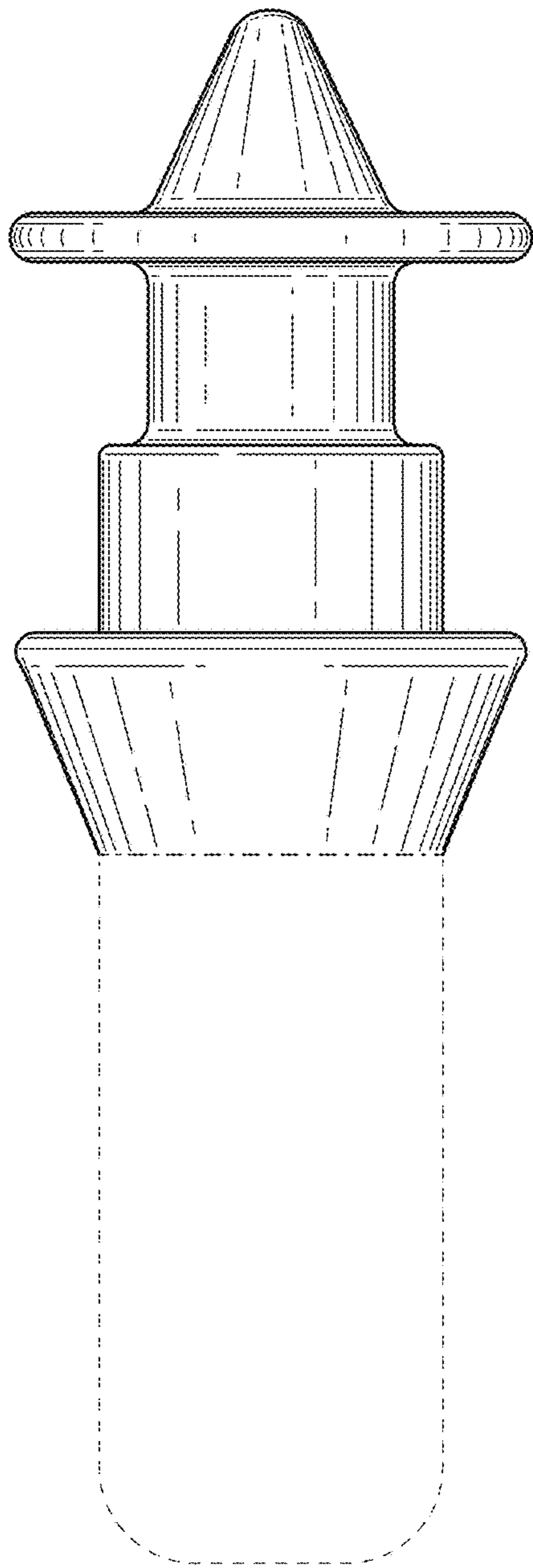


FIG. 2

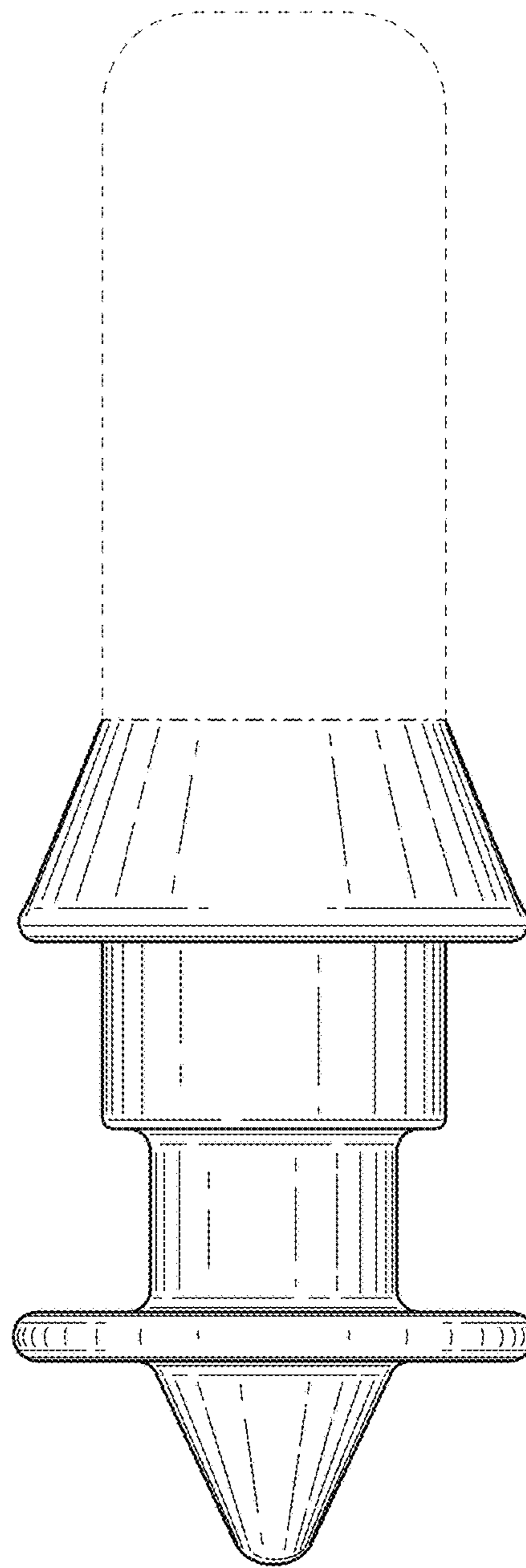
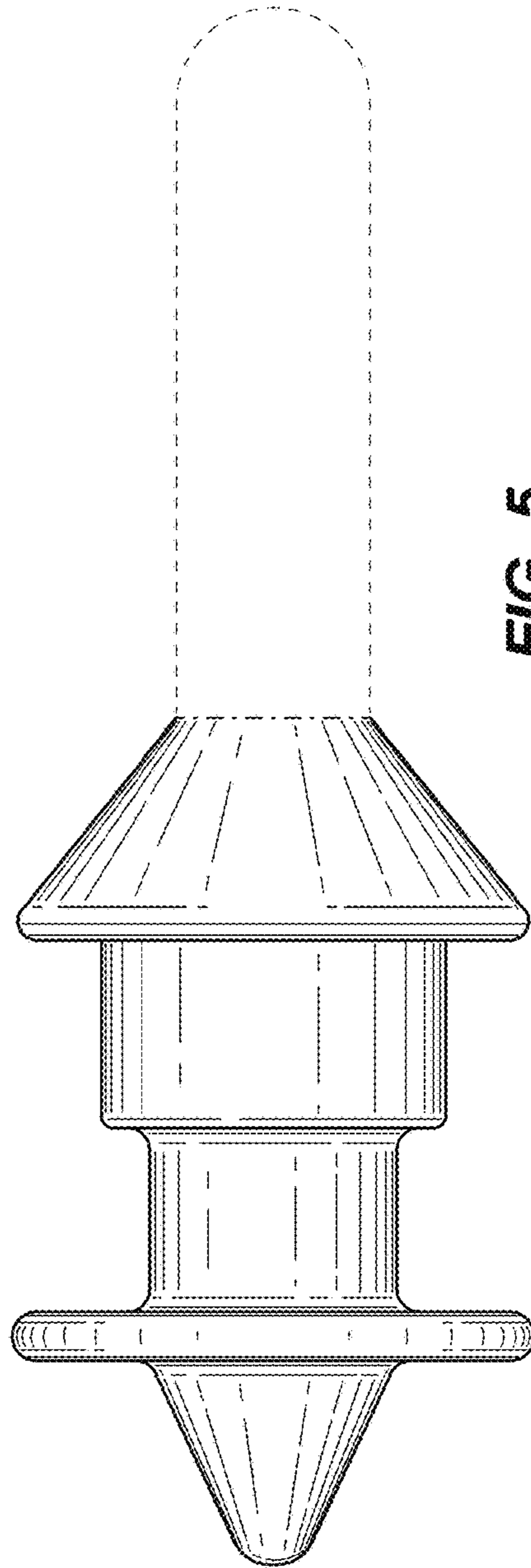
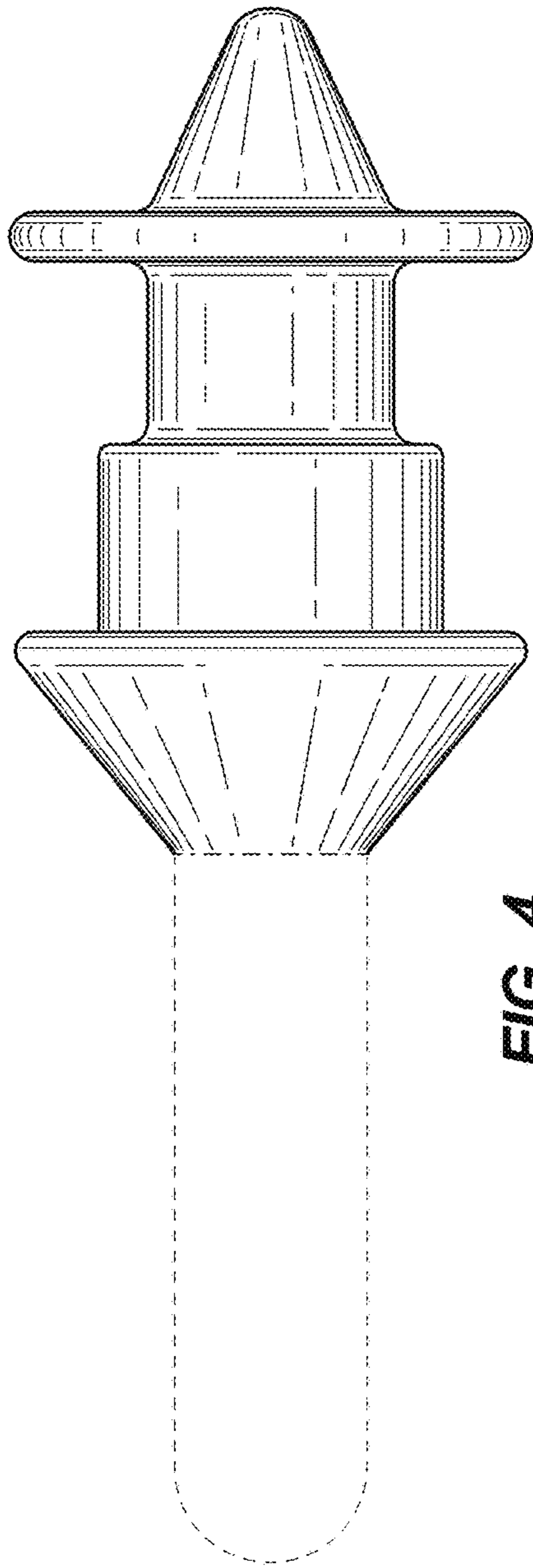


FIG. 3



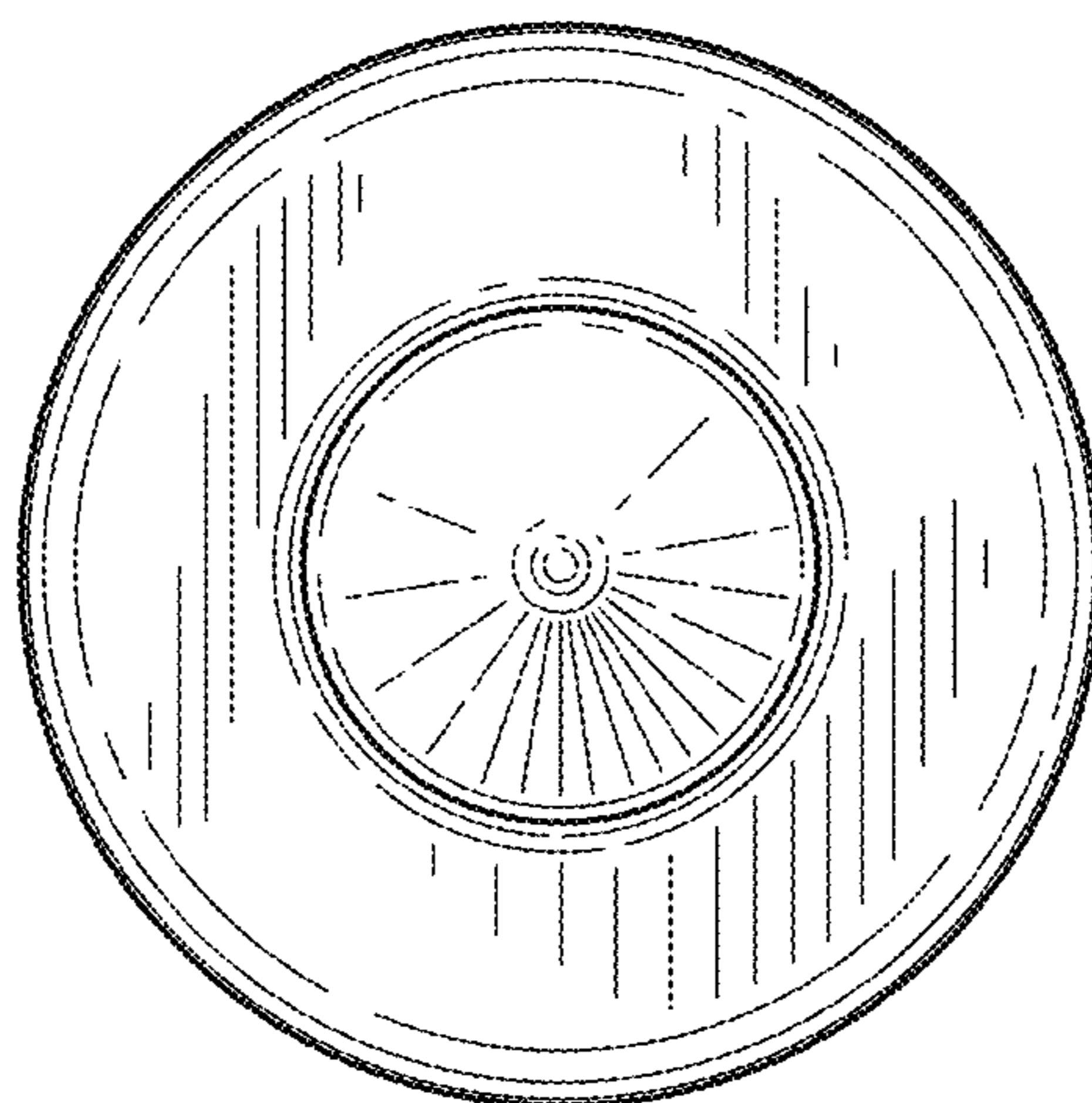


FIG. 6

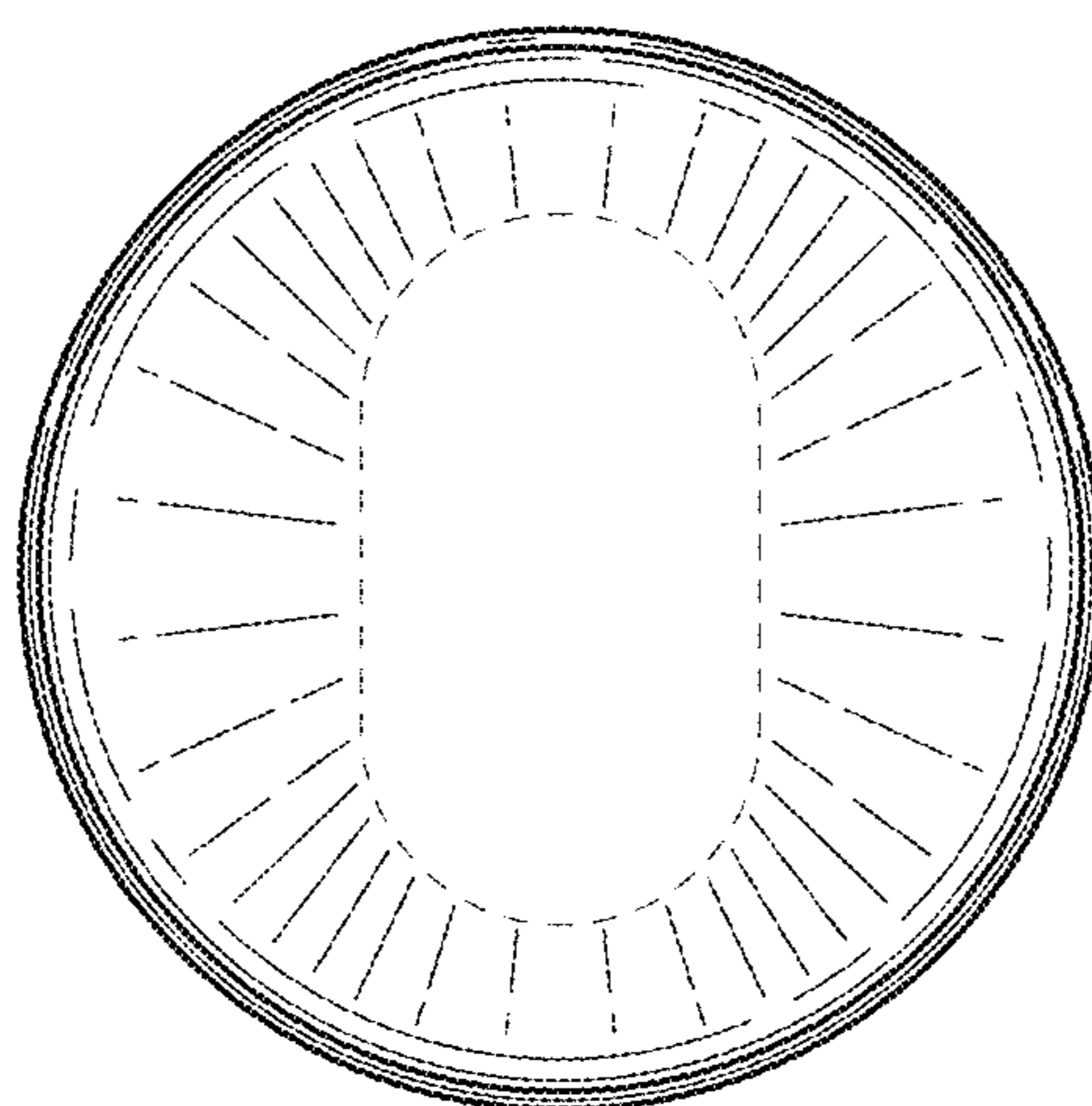


FIG. 7