



US00D805378S

(12) **United States Design Patent**
Somerfield

(10) **Patent No.:** **US D805,378 S**

(45) **Date of Patent:** **** Dec. 19, 2017**

(54) **FASTENING DEVICE**

(71) Applicant: **Gripple Limited**, Sheffield (GB)

(72) Inventor: **Alan Somerfield**, Lincolnshire (GB)

(73) Assignee: **GRIPPLE LIMITED** (GB)

(**) Term: **15 Years**

(21) Appl. No.: **29/555,930**

(22) Filed: **Feb. 25, 2016**

(30) **Foreign Application Priority Data**

Aug. 28, 2015 (EM) 002762567-0001

(51) **LOC (10) Cl.** **08-08**

(52) **U.S. Cl.**
USPC **D8/383**

(58) **Field of Classification Search**
USPC D8/14, 44, 71, 72, 349, 354, 356, 357,
D8/360.1, 373, 382, 383, 394, 395, 499
CPC F16G 11/048; F16G 11/106; F16G 11/146;
F16G 11/14; F16G 11/02; H01R 4/5075;
H01R 4/5083; H01R 4/52; H01R 4/5041;
Y10T 403/7171; Y10T 24/3996; Y10T
24/39; Y10T 24/3918

See application file for complete search history.

(56) **References Cited**

U.S. PATENT DOCUMENTS

1,507,316 A * 9/1924 Kemper F16G 11/048
24/136 R
5,147,145 A * 9/1992 Facey F16G 11/108
24/136 A
6,003,210 A * 12/1999 Facey F16G 11/14
24/130
6,058,574 A * 5/2000 Facey F16G 11/048
24/115 R
D567,641 S * 4/2008 Clarke D8/383

D568,730 S * 5/2008 Clarke D8/383
D574,701 S * 8/2008 Clarke D8/383
D579,411 S * 10/2008 Jowett D13/133
D639,151 S * 6/2011 Giemza D8/383
D651,889 S * 1/2012 Mahaffey D8/330
D717,159 S * 11/2014 Lindberg D8/396
D734,140 S * 7/2015 Jia D8/396
D737,134 S * 8/2015 Thompson D8/396
D740,631 S * 10/2015 Bacon D8/44
2003/0115723 A1 * 6/2003 Shuey F16G 11/106
24/136 R
2004/0195556 A1 * 10/2004 Facey A01K 3/005
256/10
2010/0279540 A1 * 11/2010 Shawcross H01R 4/5075
439/488
2015/0285337 A1 * 10/2015 Dingley F16G 11/048
24/136 R

* cited by examiner

Primary Examiner — Sandra Snapp

Assistant Examiner — Ieisha Price

(74) *Attorney, Agent, or Firm* — Clark Hill PLC; James R. Foley

(57) **CLAIM**

The ornamental design for a fastening device, as shown and described.

DESCRIPTION

FIG. 1 is a perspective view of the fastening device;
FIG. 2 is a right side view thereof;
FIG. 3 is a left side view thereof;
FIG. 4 is a front view thereof;
FIG. 5 is a back view thereof;
FIG. 6 is a top view thereof; and,
FIG. 7 is a bottom view thereof.
The broken lines in the drawings illustrate portions of the fastening device and form no part of the claimed design.

1 Claim, 4 Drawing Sheets

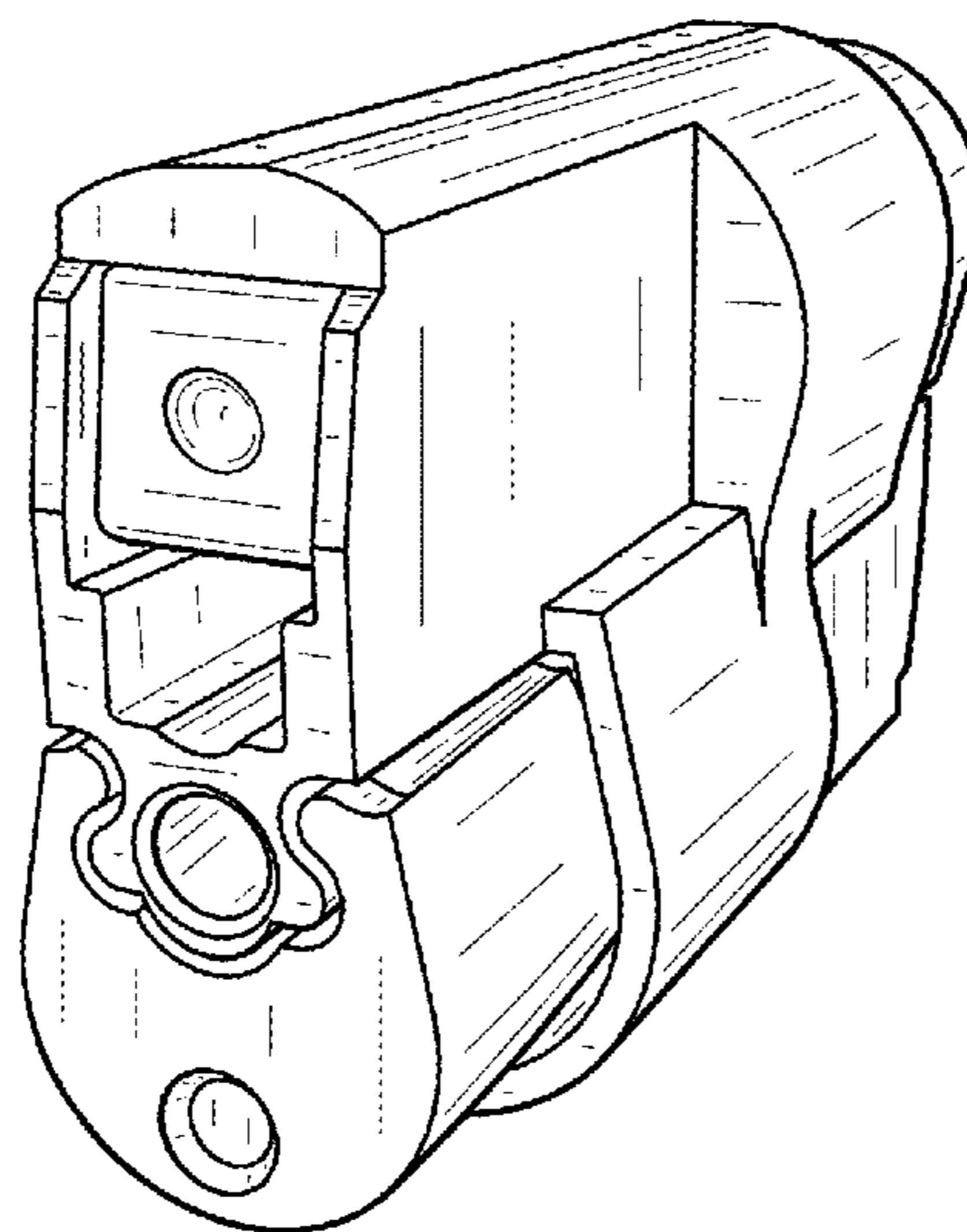


FIG. 1

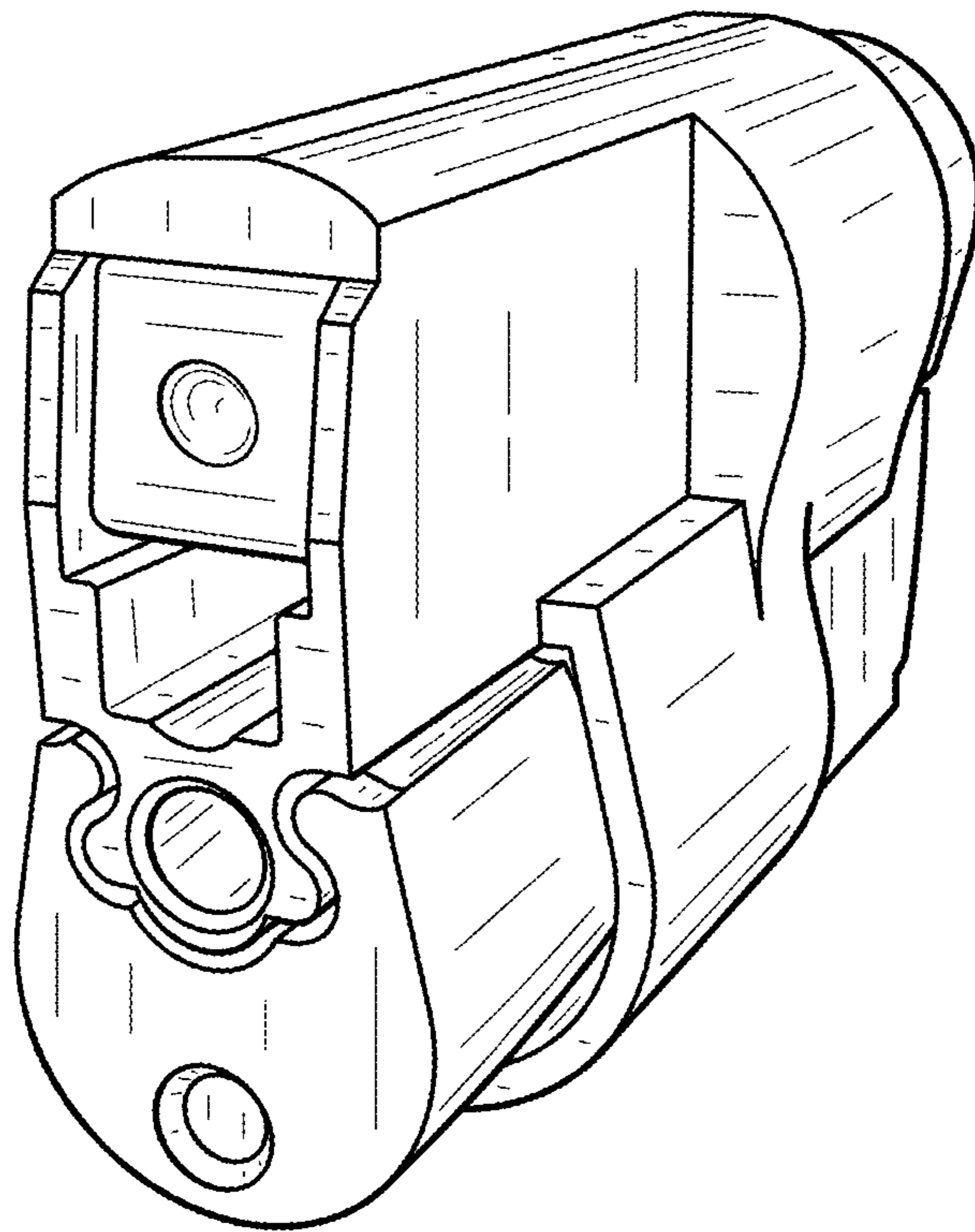


FIG. 2

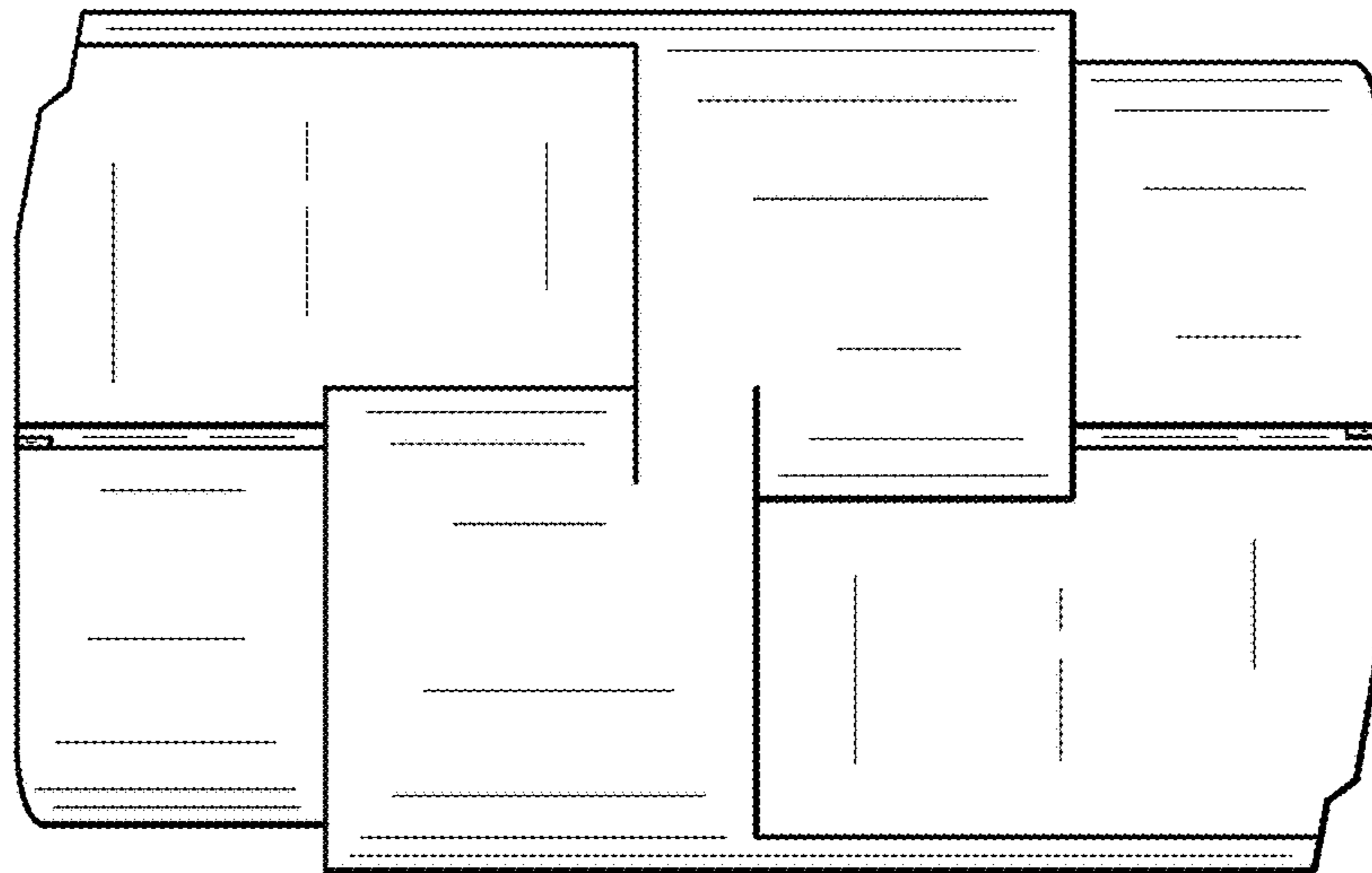


FIG. 3

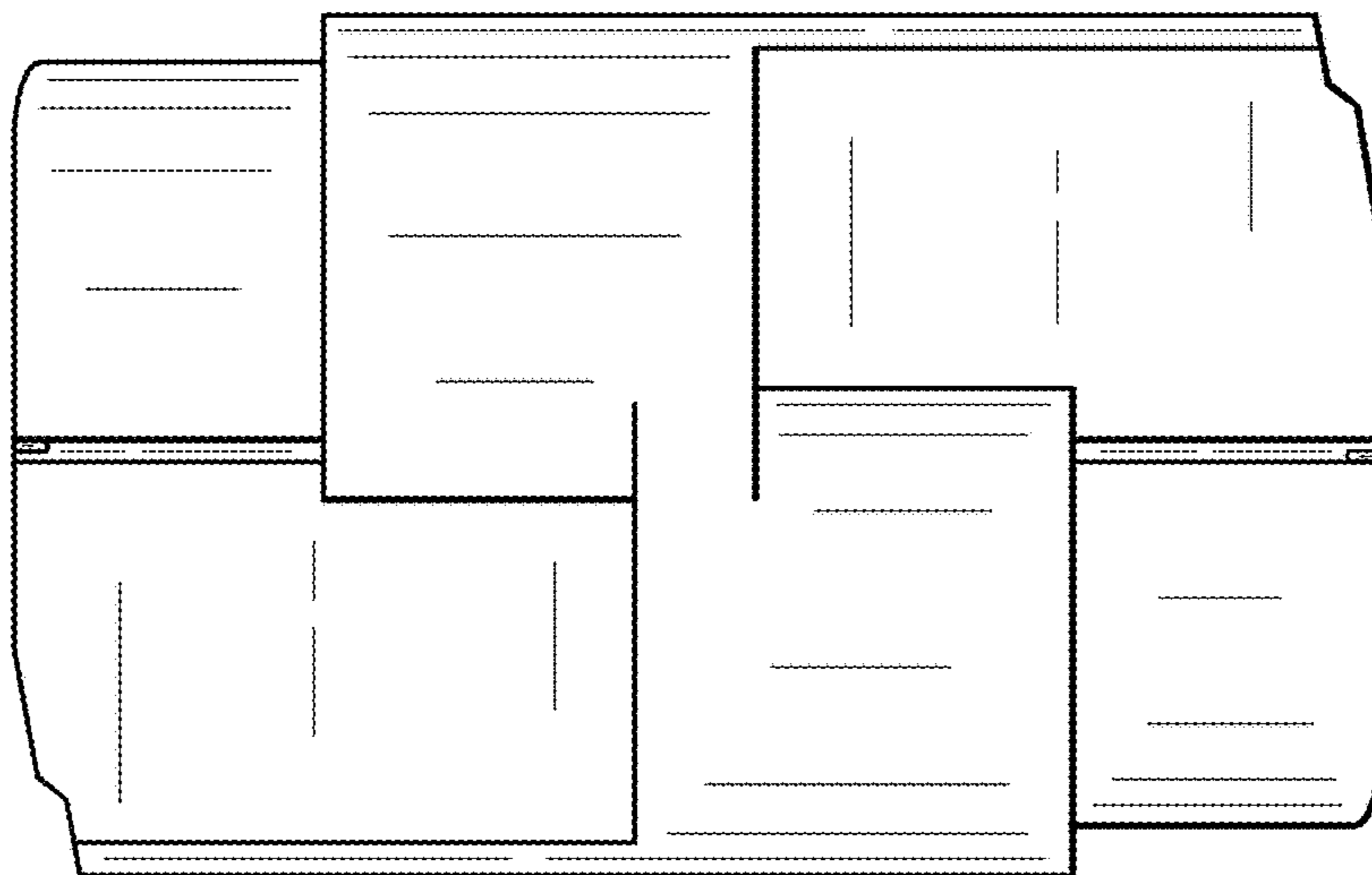


FIG. 4

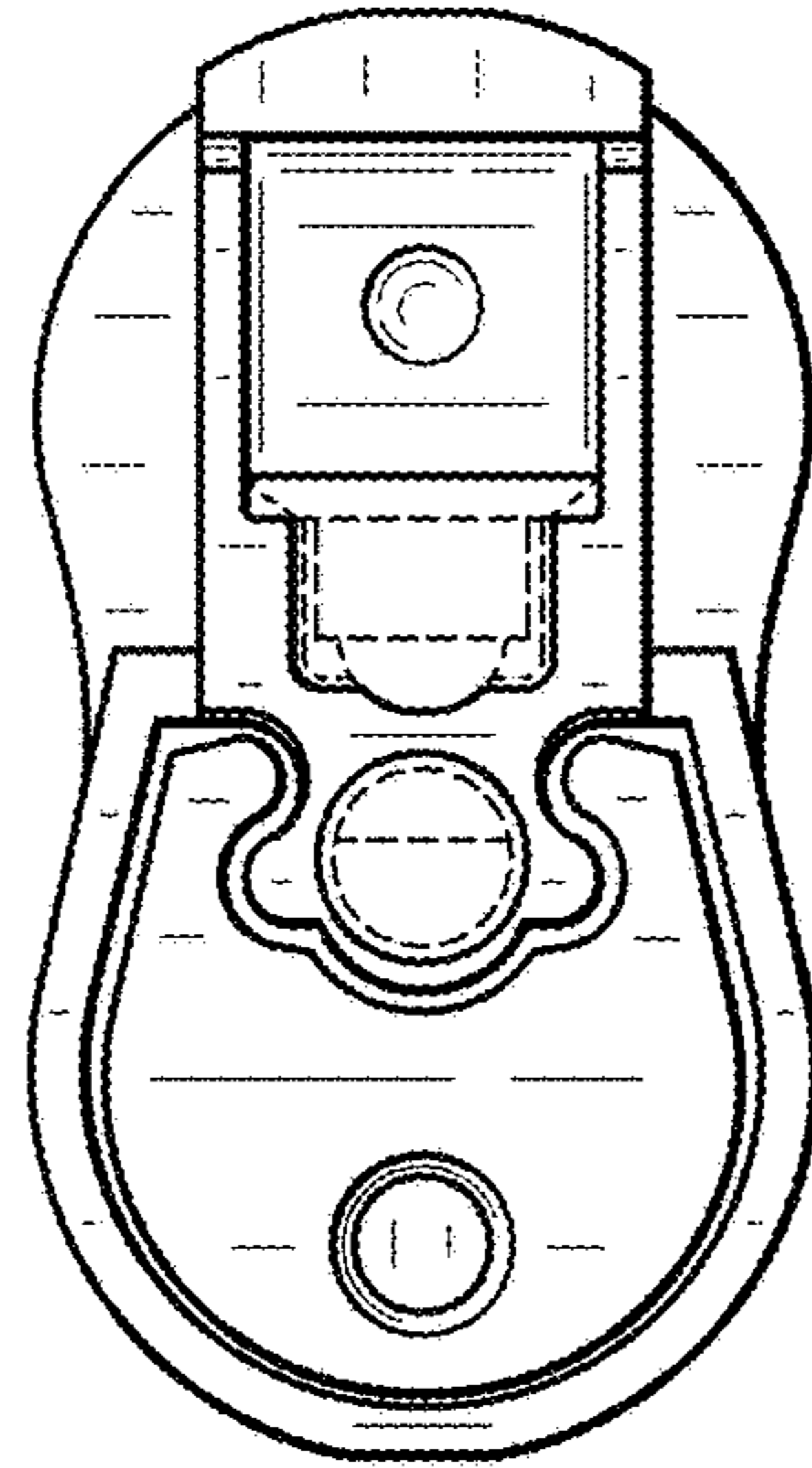


FIG. 5

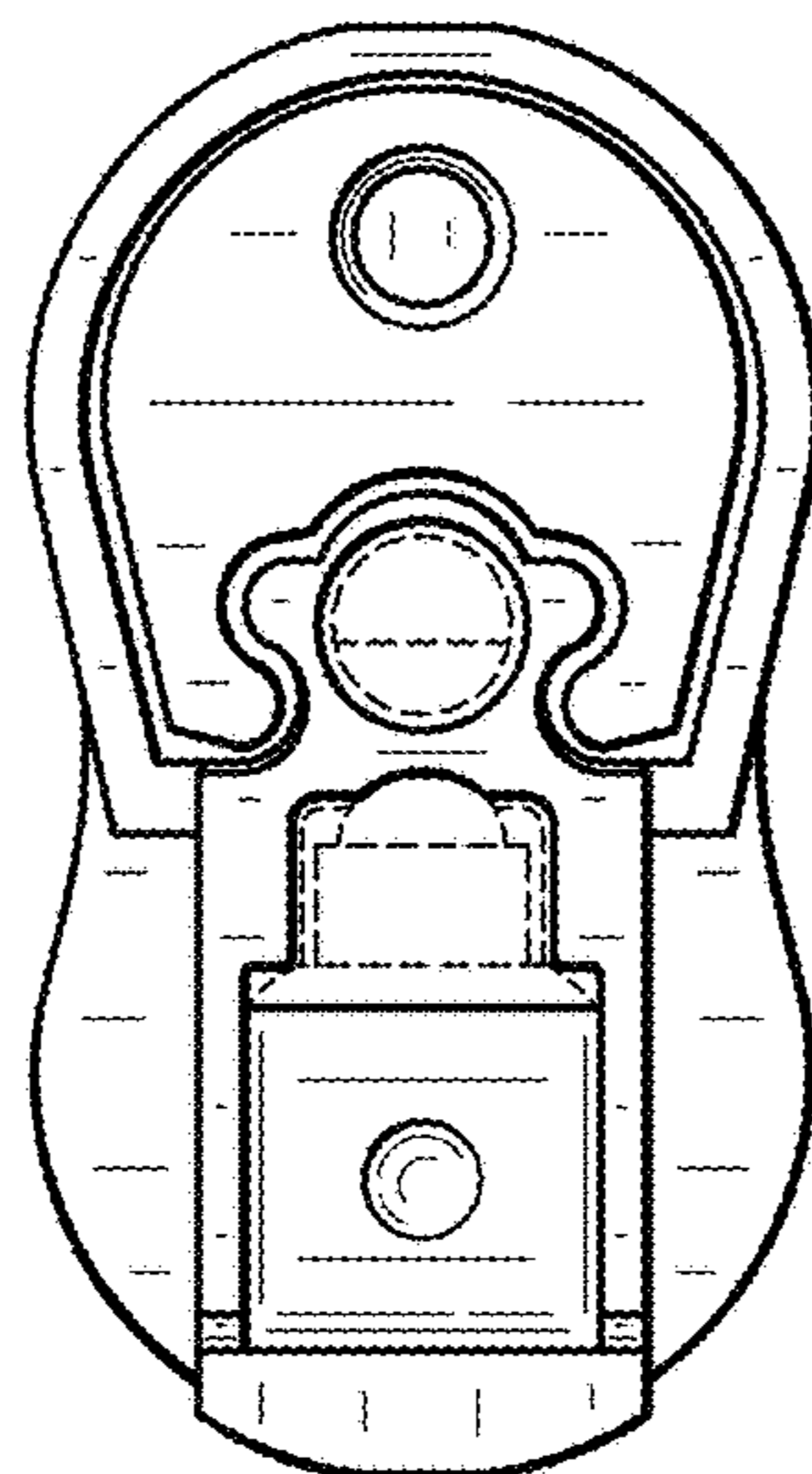


FIG. 6

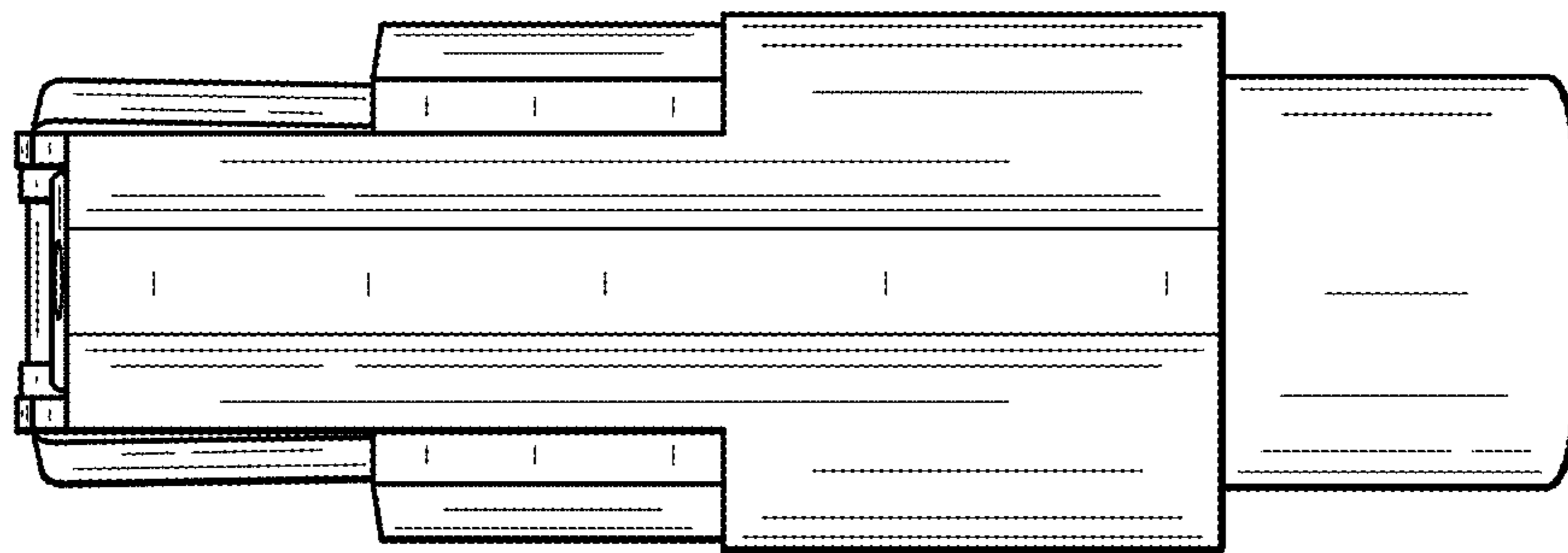


FIG. 7

