



US00D805377S

(12) **United States Design Patent** (10) **Patent No.:** **US D805,377 S**
Breeden, III et al. (45) **Date of Patent:** **** Dec. 19, 2017**

(54) **RATCHET WITH CAMOUFLAGE PATTERN**

(71) Applicant: **Winston Products, LLC**, Cleveland, OH (US)

(72) Inventors: **Winston H. Breeden, III**, Chagrin Falls, OH (US); **Ryan W. Chepla**, Orange Village, OH (US); **Christine L. Gurgul**, Sagamore Hills, OH (US)

(73) Assignee: **Winston Products, LLC**, Cleveland, OH (US)

(**) Term: **15 Years**

(21) Appl. No.: **29/533,723**

(22) Filed: **Jul. 21, 2015**

(51) **LOC (10) Cl.** **08-08**

(52) **U.S. Cl.**
USPC **D8/383; D8/44**

(58) **Field of Classification Search**
USPC D8/383, 394, 14, 44, 356, 51; D11/216
CPC B60P 7/0823; B60P 7/083; B60P 7/0846;
B60P 3/079; Y10T 24/2175; Y10T 24/2113; Y10T 24/2117; Y10T 24/2143; Y10T 24/2147

See application file for complete search history.

(56) **References Cited**

U.S. PATENT DOCUMENTS

| | | | | |
|-------------------|---------|------------|-------|------------------------|
| D268,247 S * | 3/1983 | Prete, Jr. | | D8/356 |
| D525,105 S * | 7/2006 | Jackson | | D8/107 |
| D527,606 S * | 9/2006 | Jackson | | D8/107 |
| 7,448,596 B1 * | 11/2008 | Chang | | B25B 25/00 24/69 ST |
| D642,031 S * | 7/2011 | Pehar | | D8/44 |
| 2009/0119892 A1 * | 5/2009 | Breeden | | B60P 7/083 24/68 CD |

(Continued)

Primary Examiner — Sandra Snapp

Assistant Examiner — Ieisha Price

(74) *Attorney, Agent, or Firm* — Tucker Ellis LLP; Patrick F. Clunk

(57) **CLAIM**

The ornamental design for a ratchet with camouflage pattern, as shown and described.

DESCRIPTION

The patent or application file contains at least one drawing executed in color. Copies of this patent or patent application publication with color drawing(s) will be provided by the Office upon request and payment of the necessary fee.

FIG. 1 is a perspective view of the first embodiment of a ratchet with camouflage pattern showing our new design;

FIG. 2 is another perspective view thereof;

FIG. 3 is another perspective view thereof;

FIG. 4 is another perspective view thereof;

FIG. 5 is another perspective view thereof;

FIG. 6 is another perspective view thereof;

FIG. 7 is another perspective view thereof;

FIG. 8 is another perspective view thereof;

FIG. 9 is another perspective view thereof;

FIG. 10 is a perspective view of the second embodiment of a ratchet with camouflage pattern;

FIG. 11 is another perspective view thereof;

FIG. 12 is another perspective view thereof;

FIG. 13 is another perspective view thereof;

FIG. 14 is another perspective view thereof;

FIG. 15 is another perspective view thereof;

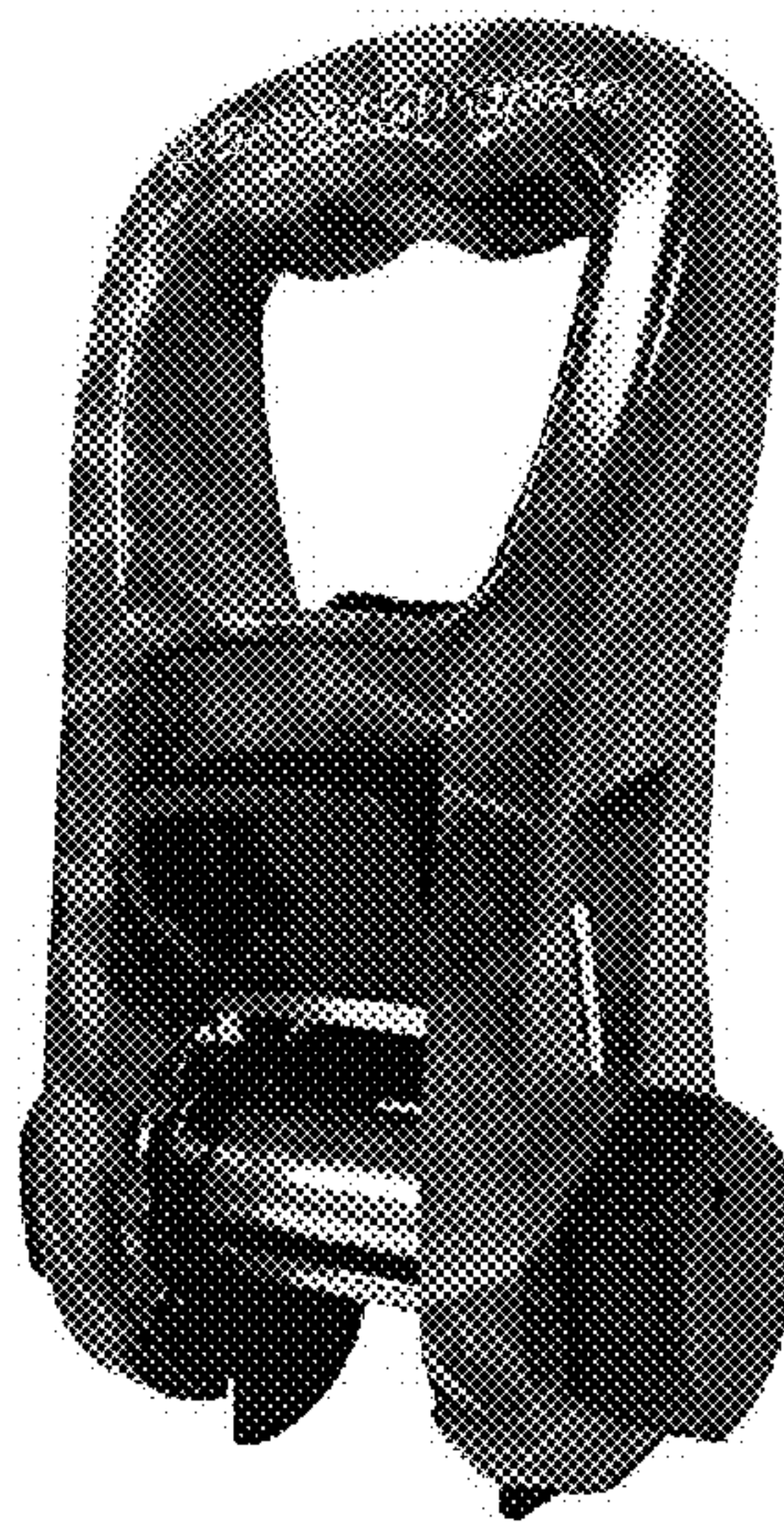
FIG. 16 is another perspective view thereof;

FIG. 17 is another perspective view thereof; and,

FIG. 18 is another perspective view thereof.

The superimposed areas encased in broken lines shown in the drawings illustrate portions of the ratchet with camouflage pattern and form no part of the claimed design.

1 Claim, 18 Drawing Sheets
(18 of 18 Drawing Sheet(s) Filed in Color)



(56)

References Cited

U.S. PATENT DOCUMENTS

2010/0207084 A1* 8/2010 Wang B60P 7/083
254/199
2011/0119877 A1* 5/2011 Jackson B60P 7/0823
24/68 CD
2012/0246895 A1* 10/2012 Lee B60P 7/083
24/68 E
2013/0025098 A1* 1/2013 Smith B60P 7/083
24/68 CD
2014/0008173 A1* 1/2014 Xiao B60P 7/083
192/108
2014/0345097 A1* 11/2014 Hanlon B60P 7/083
24/69 ST

* cited by examiner



FIG. 1



FIG. 2



FIG. 3

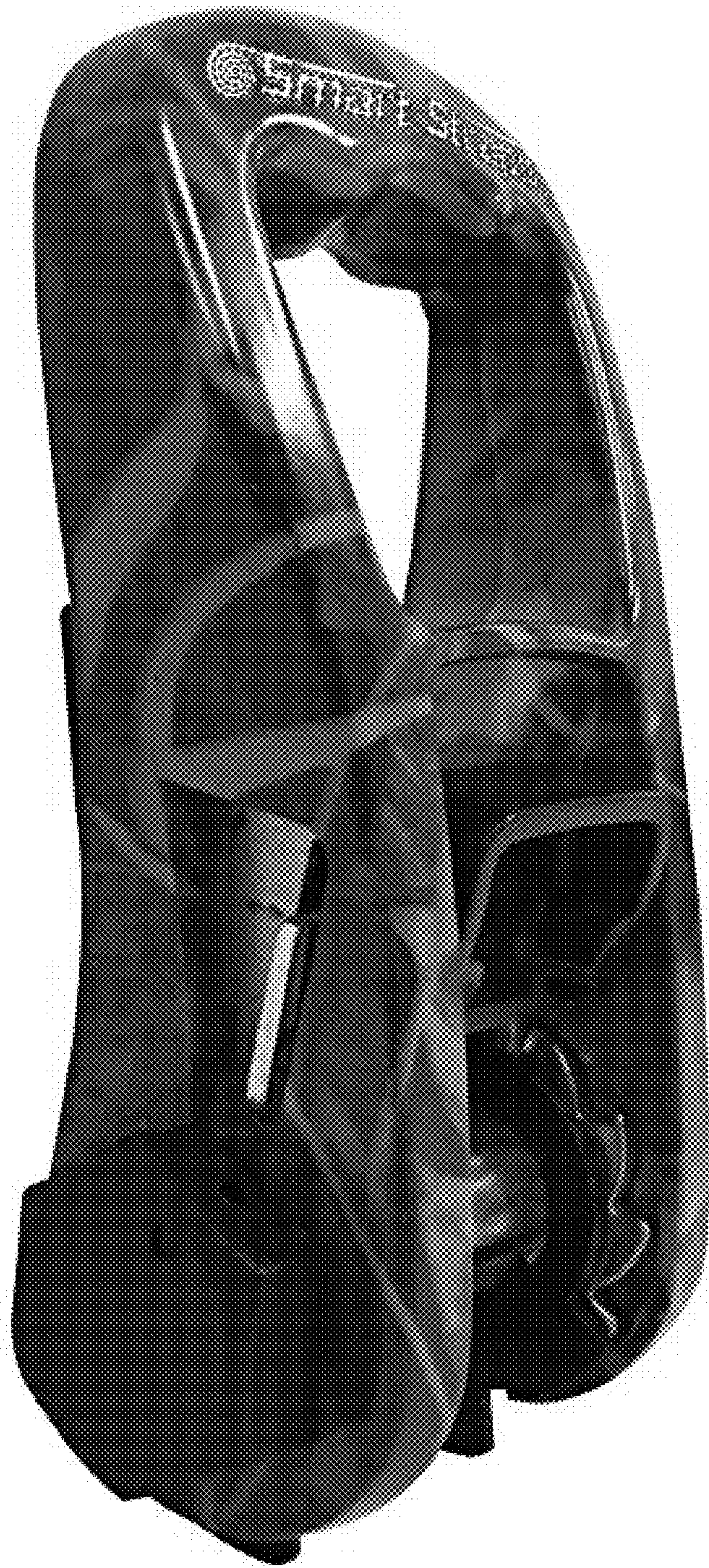


FIG. 4



FIG. 5



FIG. 6



FIG. 7



FIG. 8

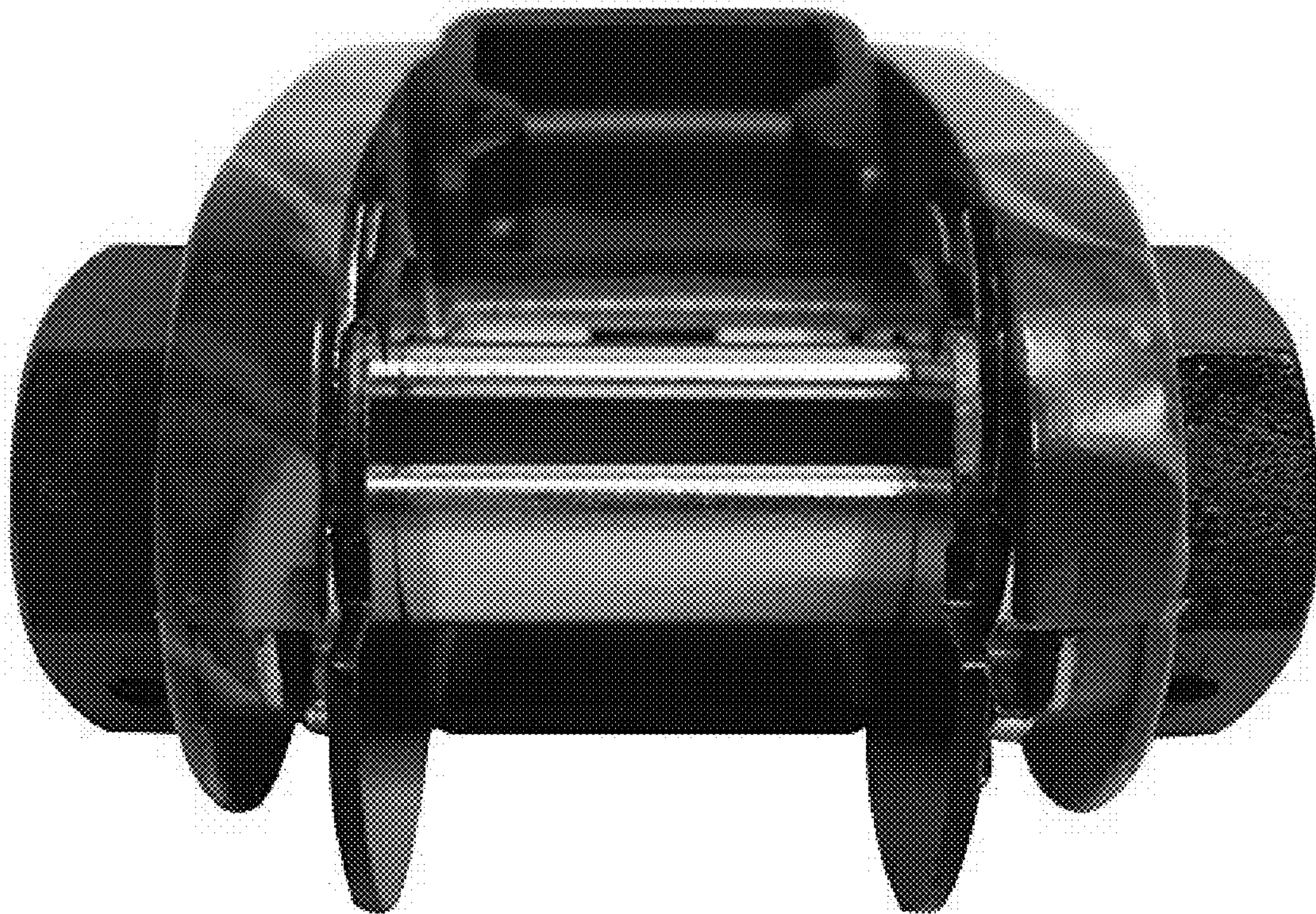


FIG. 9



FIG. 10



FIG. 11



FIG. 12



FIG. 13

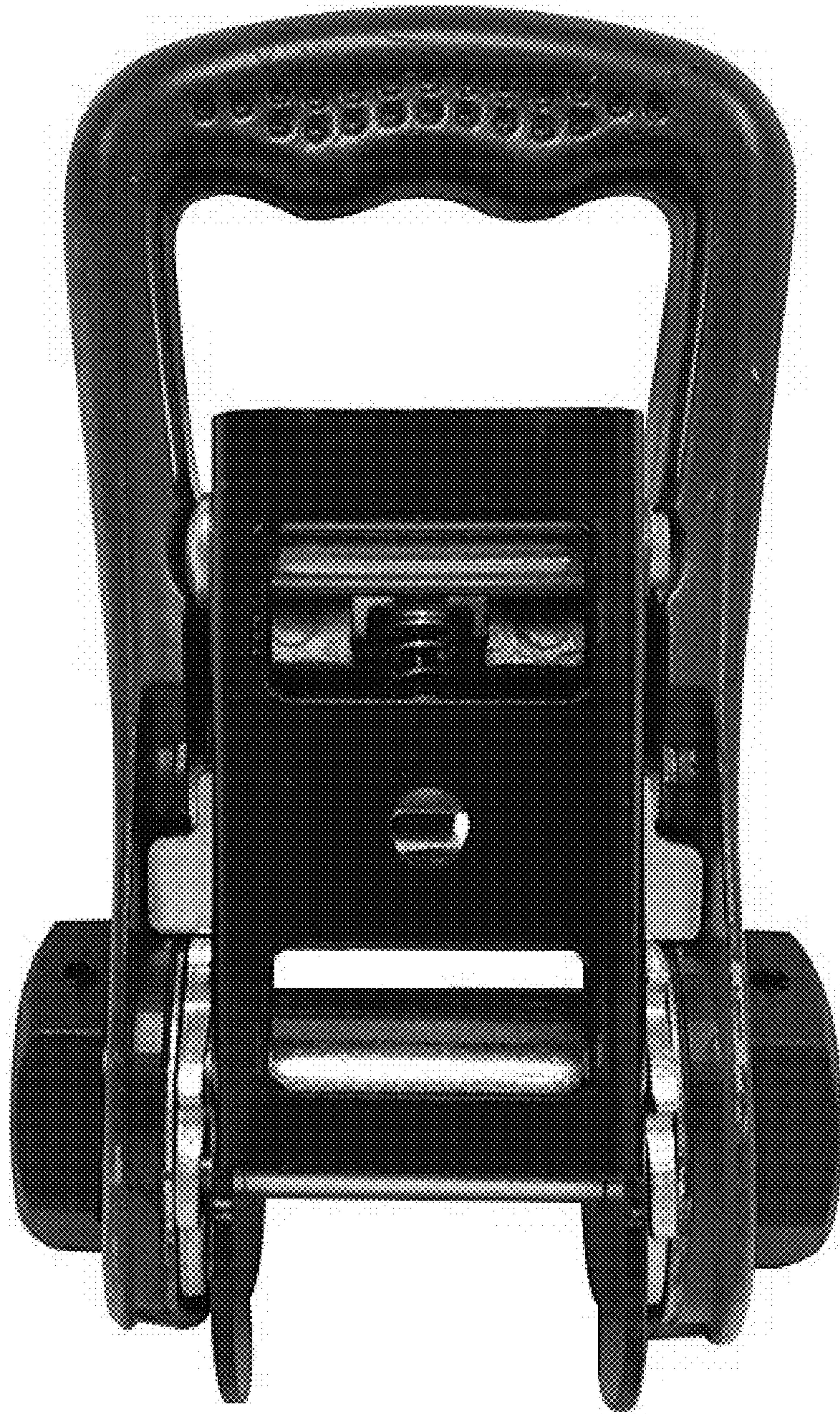


FIG. 14



FIG. 15



FIG. 16



FIG. 17

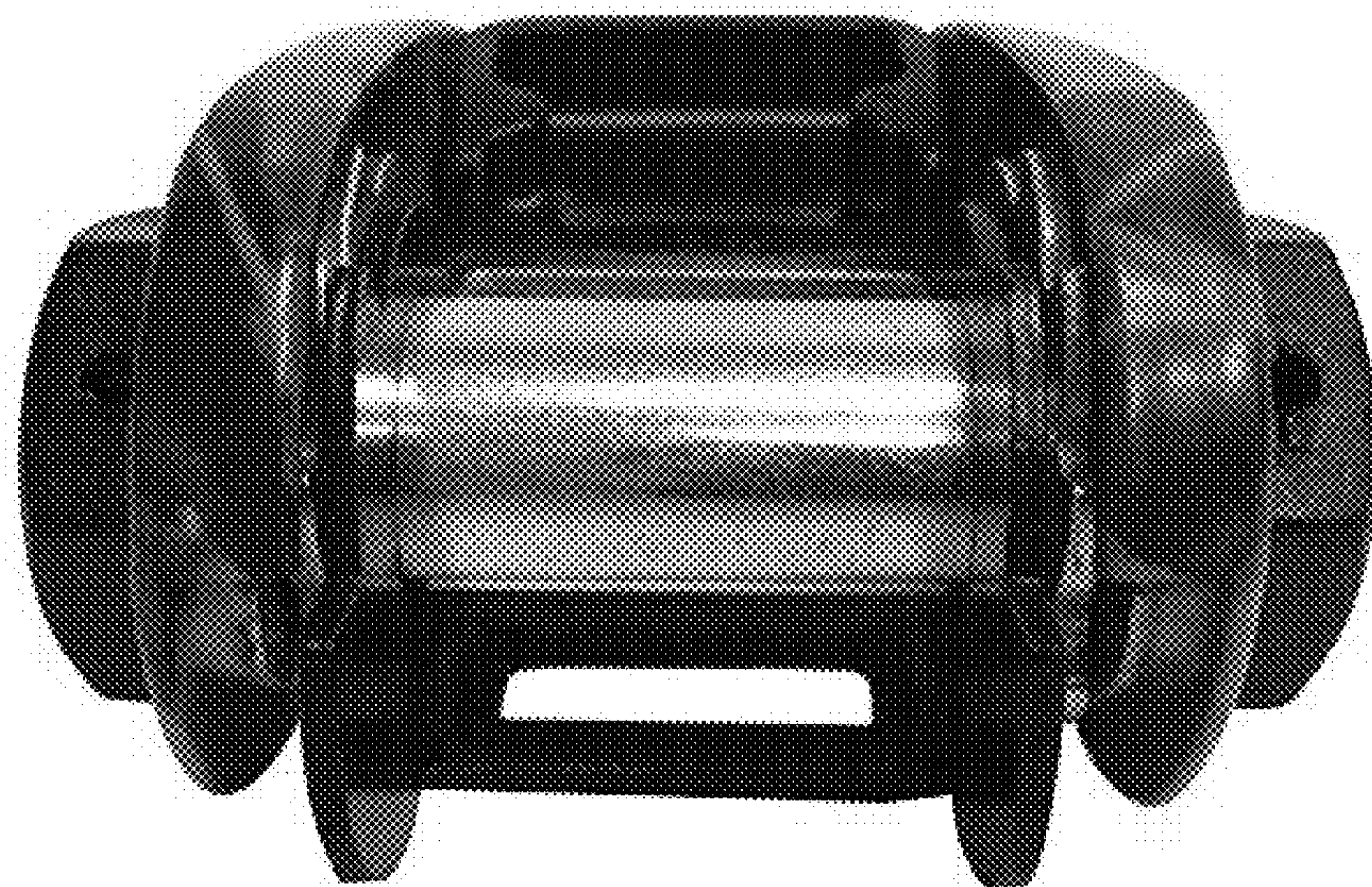


FIG. 18