



US00D805376S

(12) **United States Design Patent**  
**Heindl**

(10) **Patent No.:** **US D805,376 S**

(45) **Date of Patent:** **\*\* Dec. 19, 2017**

(54) **CONNECTING ELEMENT FOR SHEET PILES**

(71) Applicant: **Richard Heindl**, Graefelfing (DE)

(72) Inventor: **Richard Heindl**, Graefelfing (DE)

(\*\*) Term: **15 Years**

(21) Appl. No.: **29/578,591**

(22) Filed: **Sep. 22, 2016**

(30) **Foreign Application Priority Data**

Mar. 23, 2016 (EM) ..... 003038850-0014

(51) **LOC (10) Cl.** ..... **08-08**

(52) **U.S. Cl.**  
USPC ..... **D8/382**

(58) **Field of Classification Search**  
USPC ..... D8/382, 394, 395; D25/119  
CPC .... E02D 5/02; E02D 5/04; E02D 5/06; E02D  
5/08; E02D 5/12; Y10T 403/73  
See application file for complete search history.

(56) **References Cited**

**U.S. PATENT DOCUMENTS**

D527,249 S \* 8/2006 Heindl ..... D8/382  
D527,619 S \* 9/2006 Heindl ..... D8/382  
D618,991 S \* 7/2010 Heindl ..... D8/382

D619,886 S \* 7/2010 Heindl ..... D8/382  
D621,247 S \* 8/2010 Heindl ..... D8/382  
D621,249 S \* 8/2010 Heindl ..... D8/382  
D621,251 S \* 8/2010 Heindl ..... D8/382  
D621,252 S \* 8/2010 Heindl ..... D8/382  
D640,532 S \* 6/2011 Austro ..... D8/382  
D665,659 S \* 8/2012 Heindl ..... D8/382  
2010/0290843 A1 \* 11/2010 Irvine ..... E02D 5/02  
405/274  
2012/0269583 A1 \* 10/2012 Heindl ..... E02D 5/08  
405/251

\* cited by examiner

*Primary Examiner* — Sandra Snapp

*Assistant Examiner* — Ieisha Price

(74) *Attorney, Agent, or Firm* — Shuttleworth & Ingersoll, PLC; Timothy J. Klima

(57) **CLAIM**

The ornamental design for a connecting element for sheet piles, as shown and described.

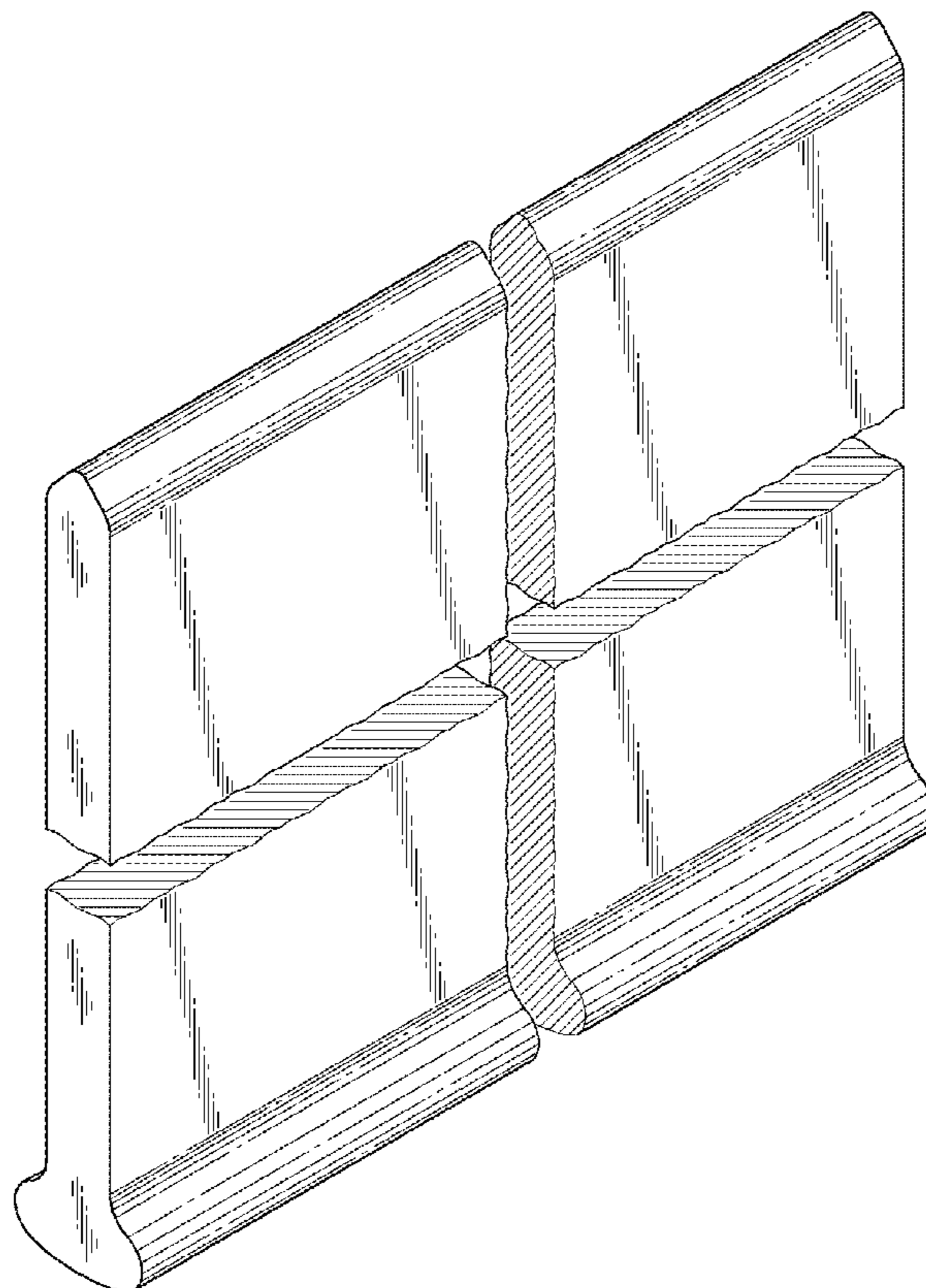
**DESCRIPTION**

FIG. 1 is a perspective view of a connecting element for sheet piles; and,

FIG. 2 is a front view thereof.

All portions of the connecting element for sheet piles located between the break lines, shown throughout the drawing disclosure, form no part of the claimed design.

**1 Claim, 2 Drawing Sheets**



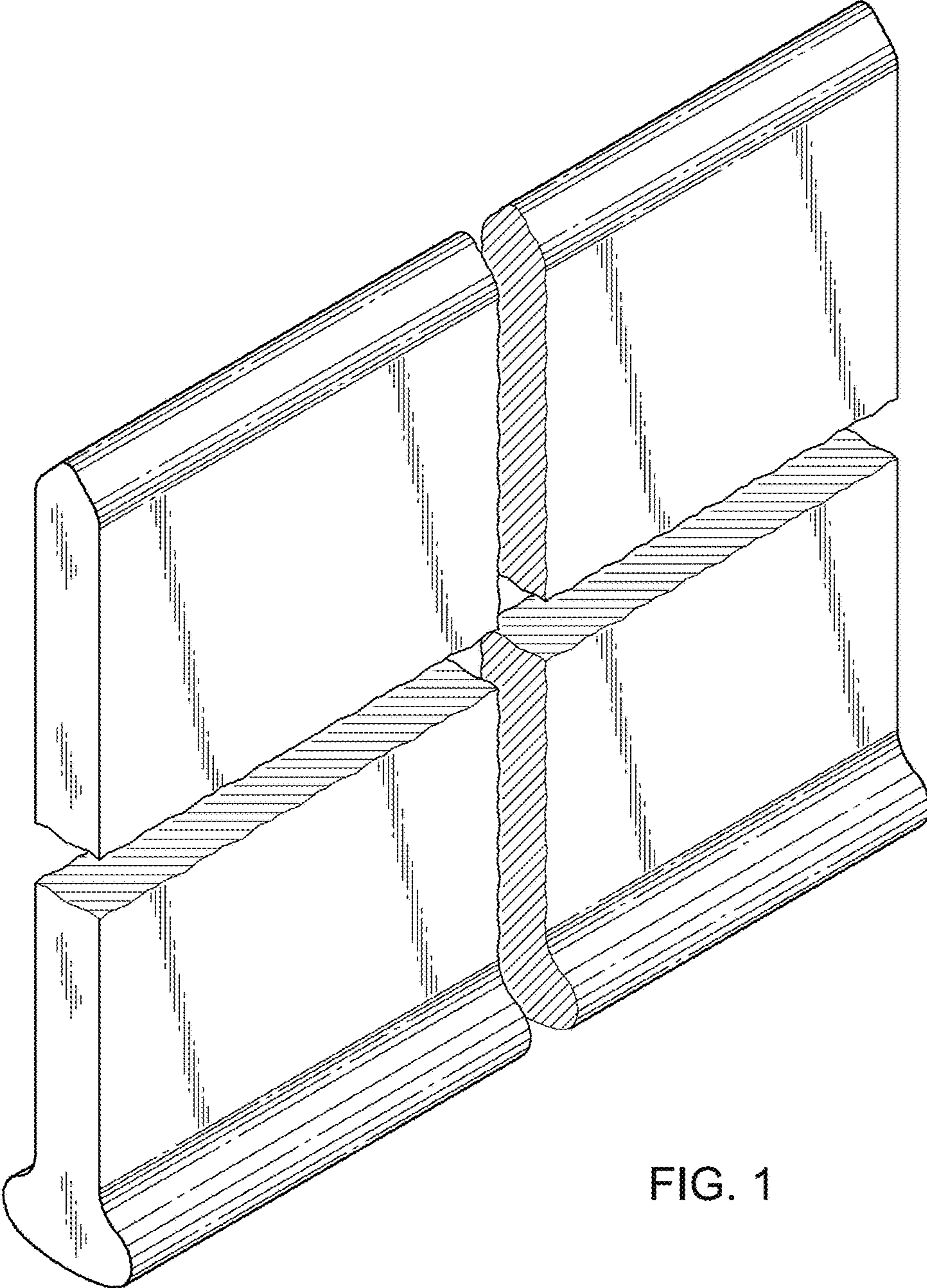


FIG. 1

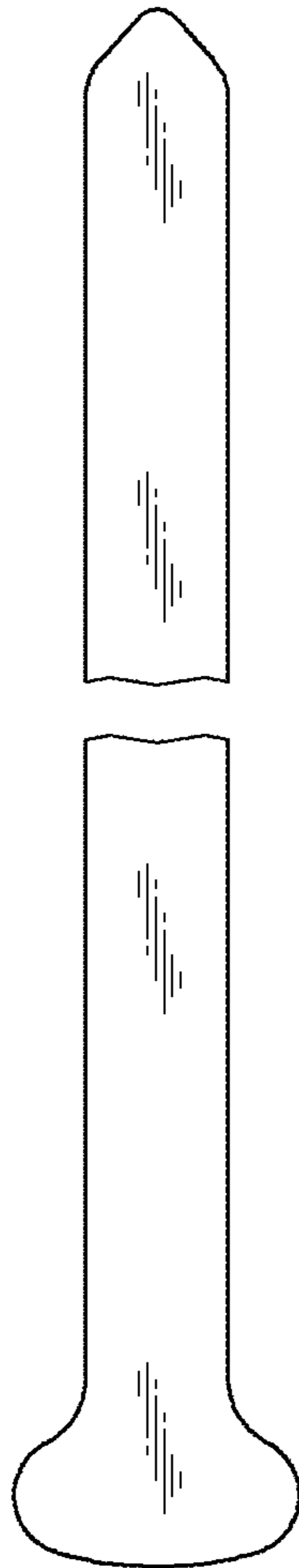


FIG. 2