



US00D805372S

(12) **United States Design Patent** (10) **Patent No.:** **US D805,372 S**  
**Shoenhair et al.** (45) **Date of Patent:** **\*\* Dec. 19, 2017**

(54) **FASHION HOOK**  
(71) Applicant: **THE HILLMAN GROUP, INC.**,  
Cincinnati, OH (US)  
(72) Inventors: **Jordan D. Shoenhair**, Tempe, AZ  
(US); **Amy L. Miller-Blase**, Cincinnati,  
OH (US); **Hyunchul Kim**, Chicago, IL  
(US); **Holly Prouty**, Chicago, IL (US)  
(73) Assignee: **THE HILLMAN GROUP, INC.**,  
Cincinnati, OH (US)  
(\*\*) Term: **15 Years**  
(21) Appl. No.: **29/576,439**  
(22) Filed: **Sep. 2, 2016**  
(51) **LOC (10) Cl.** ..... **08-05**  
(52) **U.S. Cl.**  
USPC ..... **D8/367**  
(58) **Field of Classification Search**  
USPC ..... D8/367, 354, 349, 394  
CPC ..... F16L 3/13; F16L 3/26; A47G 23/0225;  
A47G 25/06; A47G 1/16; A47F 5/0846;  
A47F 5/02; H02G 11/003; D06F 55/00;  
E04H 17/10  
See application file for complete search history.

D330,636 S 11/1992 Sharpe  
D339,058 S \* 9/1993 Greenhut ..... D8/367  
D353,492 S \* 12/1994 Goodman ..... D6/323  
5,372,346 A \* 12/1994 Upchurch ..... F16B 21/04  
248/222.52  
D361,930 S \* 9/1995 Fillipp ..... D8/367  
D390,014 S \* 2/1998 Ho ..... D6/323  
D390,709 S 2/1998 Moore  
D393,412 S \* 4/1998 Bries ..... D8/367  
D397,256 S 8/1998 Moore et al.  
D398,451 S 9/1998 Sharpe  
D416,139 S 11/1999 Roth et al.  
D417,385 S \* 12/1999 Bries ..... D8/367  
D426,390 S 6/2000 Green et al.  
D428,802 S \* 8/2000 Villano ..... D20/43  
D431,451 S \* 10/2000 Kuo ..... D8/367  
D432,316 S 10/2000 Duggan  
D435,971 S 1/2001 Solowiej  
D435,972 S 1/2001 Moore  
D436,452 S 1/2001 Gastelum et al.  
D438,715 S 3/2001 Milrud et al.  
D442,056 S 5/2001 Duggan  
D453,271 S 2/2002 Gilbert et al.  
D456,150 S 4/2002 Moore

(Continued)

*Primary Examiner* — Cynthia Underwood  
(74) *Attorney, Agent, or Firm* — Thompson Hine L.L.P.

(57) **CLAIM**

The ornamental design for a fashion hook, as shown and described.

**DESCRIPTION**

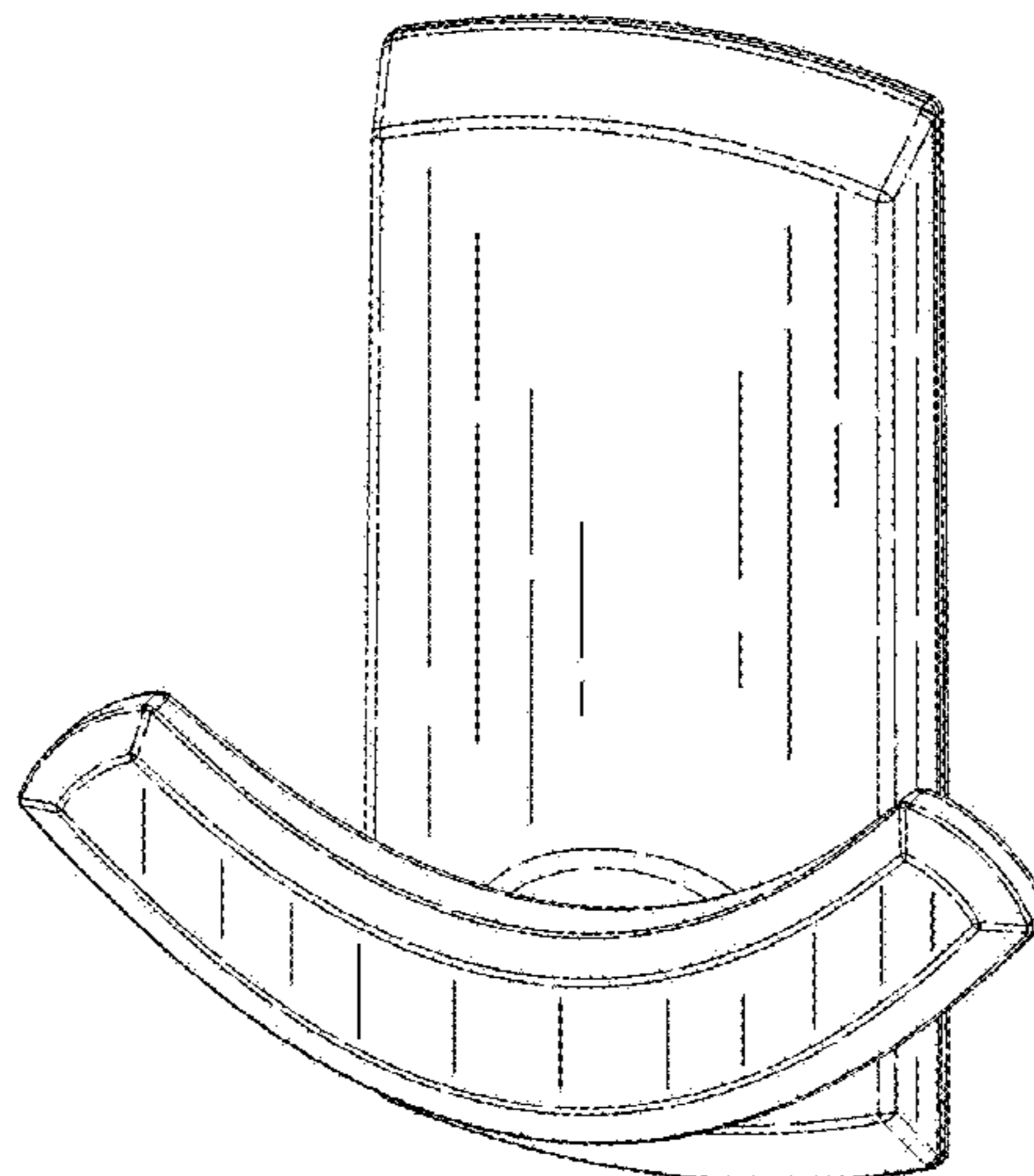
FIG. 1 is a perspective view of a fashion hook;  
FIG. 2 is front elevation thereof;  
FIG. 3 is a top view thereof;  
FIG. 4 is a bottom view thereof;  
FIG. 5 is one side view thereof; and,  
FIG. 6 is another side view thereof.  
The rear portion of the fashion hook is not visible during ordinary use and forms no part of the claimed design.

**1 Claim, 3 Drawing Sheets**

(56) **References Cited**

**U.S. PATENT DOCUMENTS**

D241,206 S \* 8/1976 Halsted et al. .... D6/323  
D289,139 S \* 4/1987 Chasen ..... D6/323  
D289,255 S \* 4/1987 Chasen ..... D6/323  
D307,539 S \* 5/1990 Goodman ..... D8/367  
D312,384 S \* 11/1990 Hamann ..... 248/301  
D312,385 S \* 11/1990 Hamann ..... D8/367  
D312,959 S \* 12/1990 Hamann ..... 248/220.43  
D325,131 S 4/1992 Fujiwara  
D330,289 S 10/1992 Sharpe



(56)

References Cited

U.S. PATENT DOCUMENTS

D462,844 S 9/2002 Chou  
 D465,096 S 11/2002 Ouyoung  
 D465,340 S 11/2002 Hoernig  
 D465,661 S 11/2002 Hoernig  
 D472,060 S 3/2003 Hoernig  
 D477,150 S 7/2003 Hoernig  
 D478,731 S 8/2003 Hoernig  
 D480,292 S \* 10/2003 Johansson ..... D8/367  
 D485,156 S 1/2004 Moore  
 D494,452 S \* 8/2004 Sheldon ..... D8/367  
 D496,258 S 9/2004 Fields  
 D500,602 S 1/2005 Solowiej  
 D505,545 S \* 5/2005 Kay ..... D3/228  
 D526,132 S 8/2006 Solowiej  
 D526,493 S 8/2006 Fields  
 D526,494 S 8/2006 Fields  
 D532,982 S 12/2006 Chang et al.  
 D535,110 S 1/2007 Hoernig  
 D542,038 S 5/2007 Tau  
 D543,709 S 6/2007 Krumpe et al.  
 D543,837 S \* 6/2007 Newbould ..... D8/367  
 D548,983 S 8/2007 Krumpe  
 D554,481 S \* 11/2007 Newbould ..... D8/367  
 D554,482 S \* 11/2007 Hager ..... D8/367  
 D558,034 S \* 12/2007 Ernst ..... D8/372  
 D563,109 S 3/2008 Krumpe et al.  
 D565,939 S \* 4/2008 Newbould ..... D8/367  
 D568,621 S 5/2008 Krumpe et al.  
 D570,613 S 6/2008 Ricereto  
 D573,357 S 7/2008 Bickler et al.  
 D578,779 S 10/2008 Lee et al.  
 D579,322 S \* 10/2008 Newbould ..... D8/367  
 D580,186 S 11/2008 Krumpe et al.  
 D583,653 S \* 12/2008 Thompson ..... D8/367  
 D591,143 S \* 4/2009 Ernst ..... D8/370  
 D603,688 S \* 11/2009 Chiu ..... D8/367  
 D607,650 S 1/2010 Krumpe  
 D608,100 S 1/2010 Yoo  
 D609,995 S \* 2/2010 Hager ..... D8/367

7,789,248 B1 \* 9/2010 Salerno ..... A47G 25/08  
 211/106.01  
 D627,995 S \* 11/2010 Osterle ..... D6/716  
 D630,027 S 1/2011 Romero  
 D632,951 S \* 2/2011 McGreevy ..... D8/367  
 D641,228 S \* 7/2011 Qiblawi ..... D8/367  
 D641,229 S \* 7/2011 Qiblawi ..... D8/367  
 7,972,100 B2 \* 7/2011 Horvath ..... F16B 13/002  
 248/304  
 8,002,225 B1 \* 8/2011 Malone ..... A47B 81/00  
 211/118  
 D665,653 S \* 8/2012 Thompson ..... D8/367  
 D668,935 S 10/2012 Yoo  
 D670,997 S \* 11/2012 Thompson ..... D8/367  
 D672,974 S 12/2012 Krumpe  
 D678,041 S \* 3/2013 Pan et al. .... D8/367  
 D680,804 S \* 4/2013 Gilboe ..... D7/367  
 D692,244 S 10/2013 Romero et al.  
 D697,387 S \* 1/2014 Starck ..... D8/367  
 D697,388 S \* 1/2014 Pan ..... D8/367  
 D697,389 S \* 1/2014 Pan ..... D8/367  
 D715,133 S \* 10/2014 Pan ..... D8/367  
 D715,625 S \* 10/2014 Pan ..... D8/367  
 D715,626 S \* 10/2014 Pan ..... D8/367  
 D720,937 S 1/2015 Fritz  
 D734,133 S \* 7/2015 Spindler ..... F21V 21/0808  
 D8/367  
 D746,664 S \* 1/2016 Najieb ..... D23/411  
 D750,390 S 3/2016 Bahler  
 D751,371 S \* 3/2016 Pan ..... D8/372  
 D751,372 S \* 3/2016 Thompson ..... D8/372  
 D756,205 S \* 5/2016 New ..... D8/367  
 D756,755 S \* 5/2016 Kuehn ..... D8/367  
 D756,756 S \* 5/2016 Kuehn ..... D8/367  
 D759,469 S \* 6/2016 Garland ..... D8/367  
 D760,068 S \* 6/2016 Sehl ..... D8/367  
 D762,108 S \* 7/2016 Knight ..... D8/372  
 D764,901 S \* 8/2016 Esparza ..... D8/367  
 D769,004 S 10/2016 Bahler  
 D781,683 S \* 3/2017 Yi ..... D8/354  
 2006/0022105 A1 \* 2/2006 MacKay ..... F16B 45/00  
 248/304

\* cited by examiner

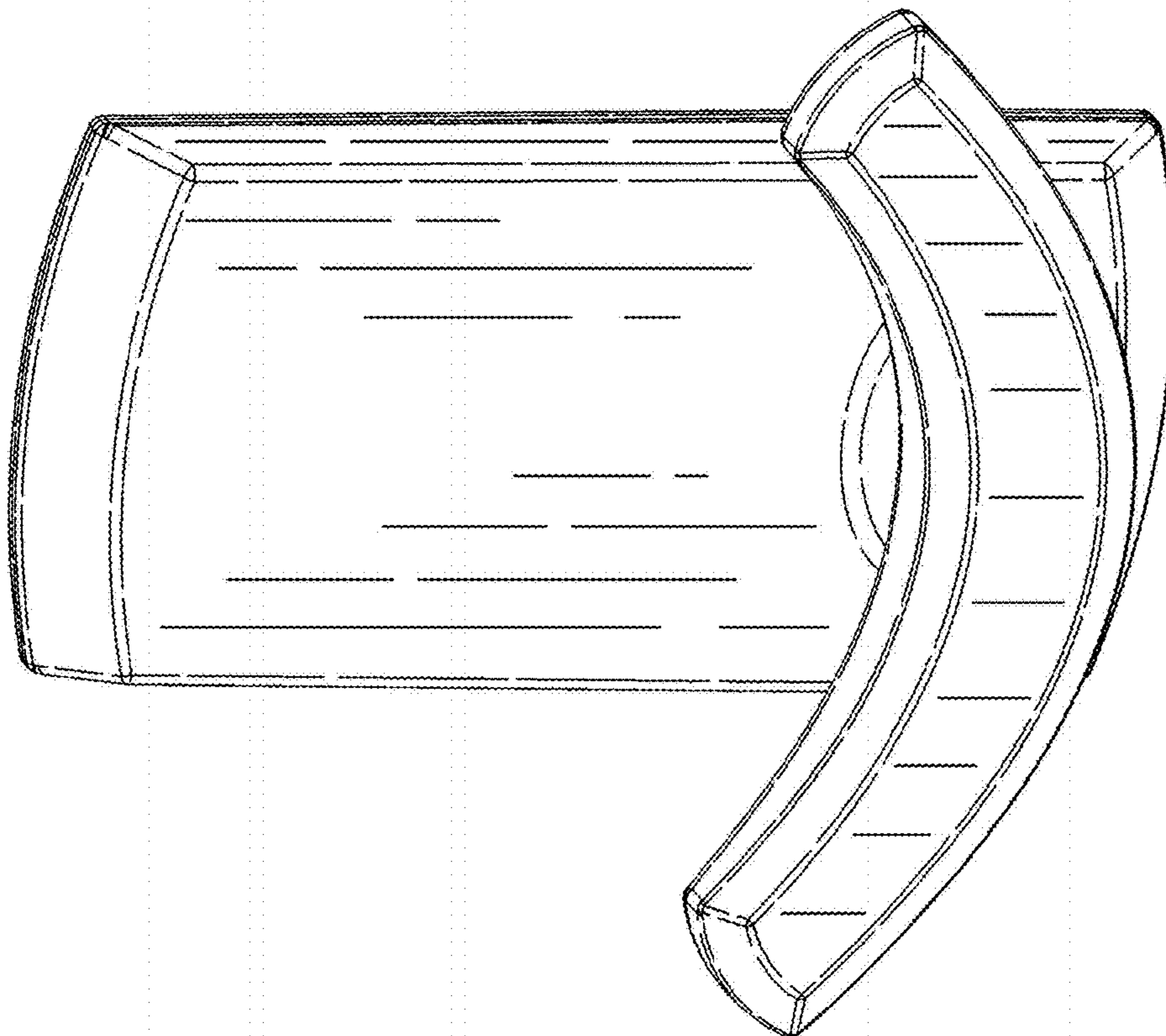


Fig. 1

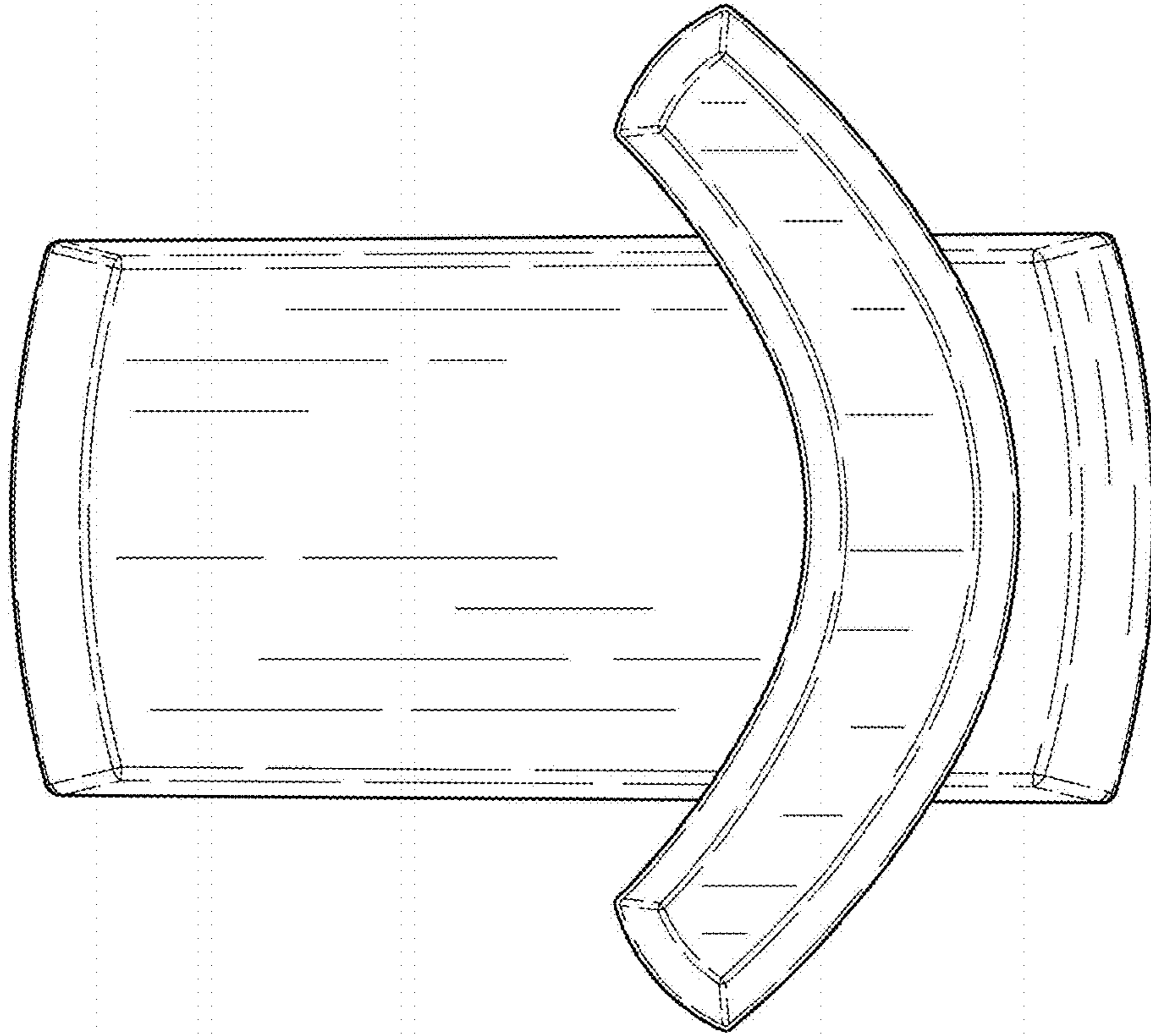


Fig. 2

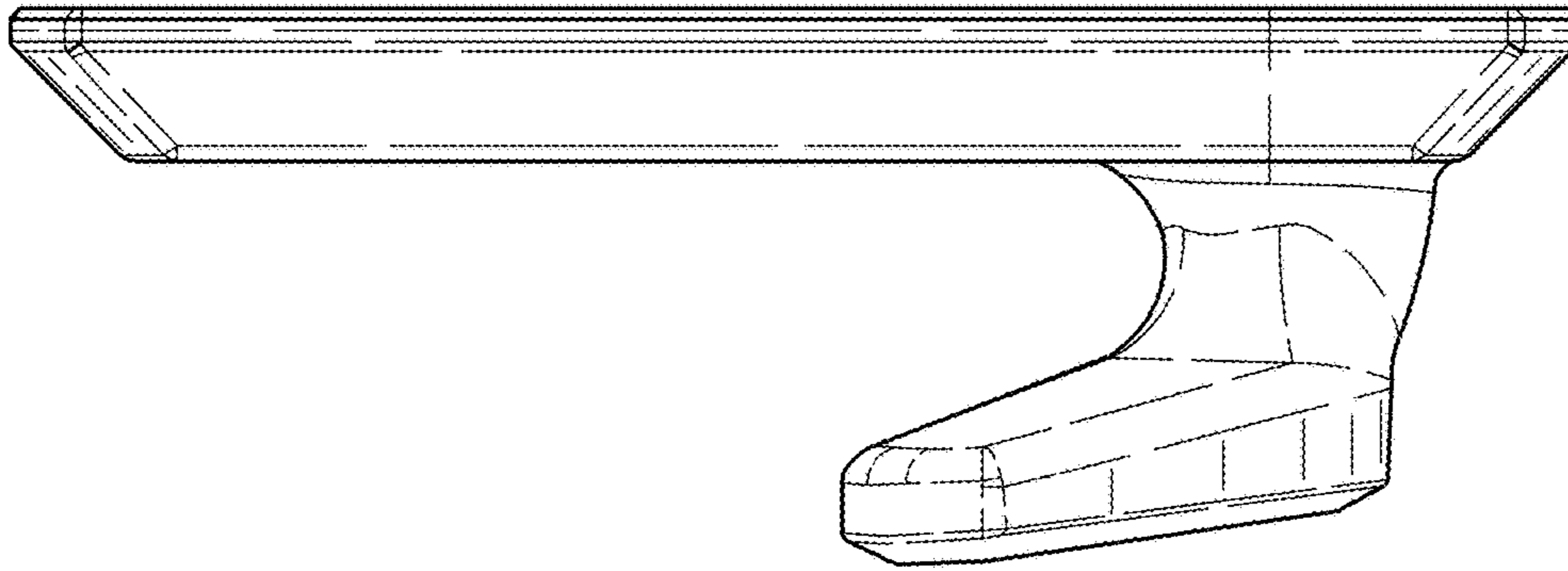


Fig. 3

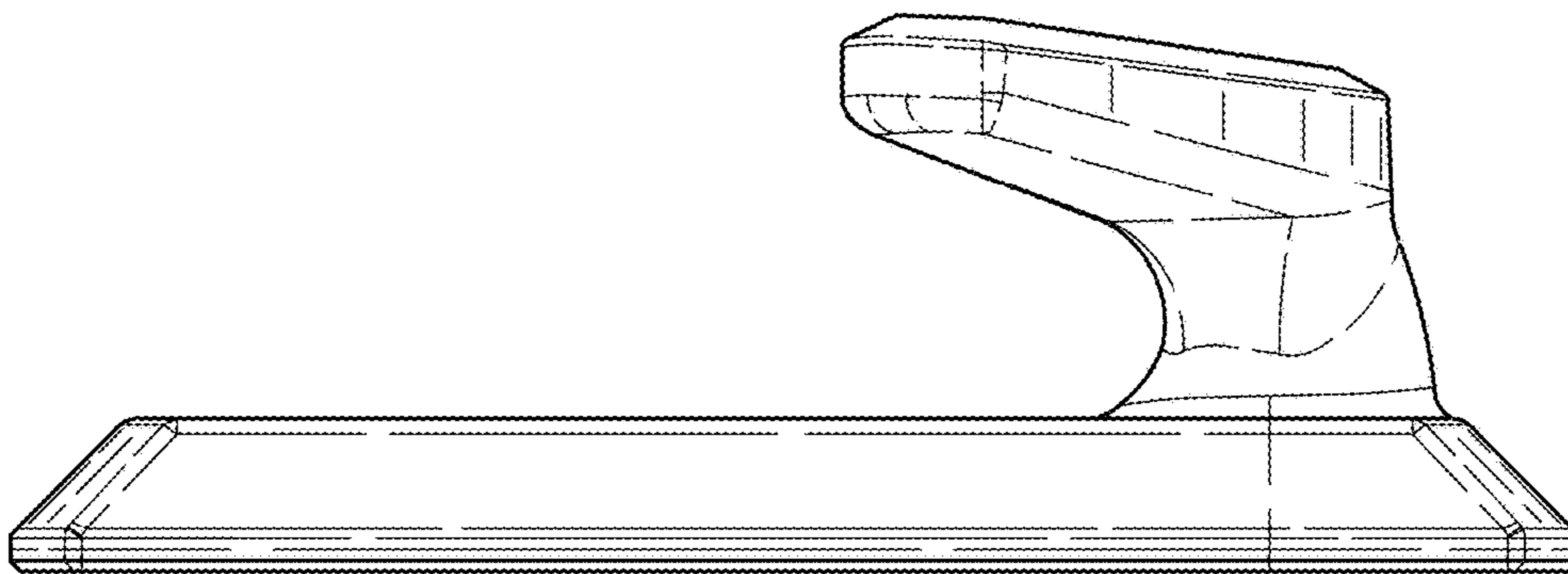


Fig. 4

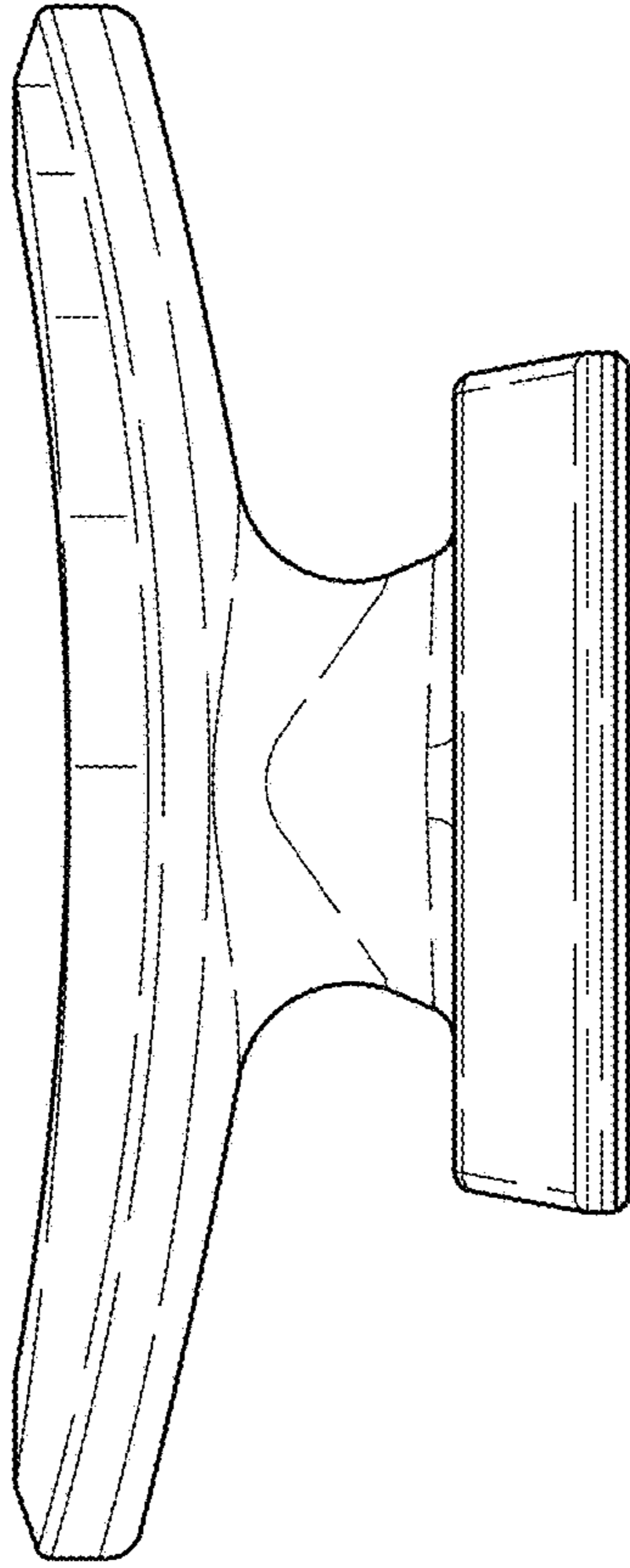


Fig. 6

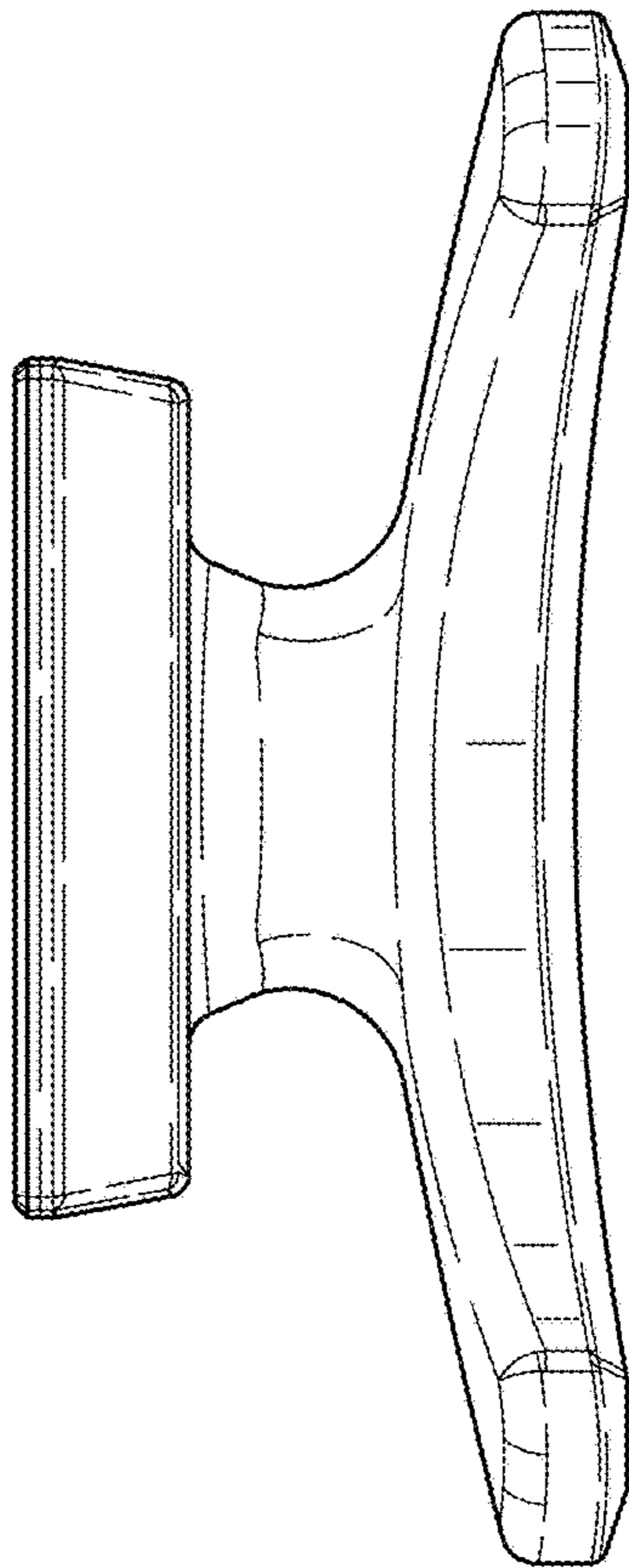


Fig. 5