



US00D805371S

(12) **United States Design Patent** (10) **Patent No.:** **US D805,371 S**
Thuma et al. (45) **Date of Patent:** **** Dec. 19, 2017**

- (54) **HOSE REEL ENCLOSURE**
- (71) Applicant: **Suncast Technologies, LLC**, Palm Beach Gardens, FL (US)
- (72) Inventors: **Michael Thuma**, La Grange, IL (US); **Torrence Anderson**, Overland Park, KS (US); **Michael R. Vogler**, Oswego, IL (US)
- (73) Assignee: **Suncast Technologies, LLC**, Palm Beach Gardens, FL (US)
- (**) Term: **15 Years**
- (21) Appl. No.: **29/560,627**
- (22) Filed: **Apr. 8, 2016**
- (51) **LOC (10) Cl.** **08-05**
- (52) **U.S. Cl.**
USPC **D8/359**
- (58) **Field of Classification Search**
USPC D8/74, 347, 373, 375, 380, 381, 396, D8/356, 359, 358, 360.1; D6/306, 309, D6/677
CPC . B65H 75/40; B65H 75/4407; B65H 75/4471
See application file for complete search history.

- D702,537 S * 4/2014 Hyp D8/359
- D715,048 S * 10/2014 Donnelly D3/273
- D717,542 S * 11/2014 Vogler D3/273
- D724,320 S * 3/2015 Russell D3/273
- D734,656 S * 7/2015 Blaszcak B65H 75/40 D8/358
- D737,669 S * 9/2015 Anderson D8/359
- D761,090 S * 7/2016 Anderson D8/359
- D761,091 S * 7/2016 Anderson D8/359
- 2012/0199600 A1 * 8/2012 Anderson A47C 7/62 220/810
- 2012/0227349 A1 * 9/2012 Phillips E04H 1/1205 52/588.1

* cited by examiner

Primary Examiner — Robert M Spear
Assistant Examiner — Eliza Bennett-Hattan
(74) *Attorney, Agent, or Firm* — McHale & Slavin, P.A.

(57) **CLAIM**

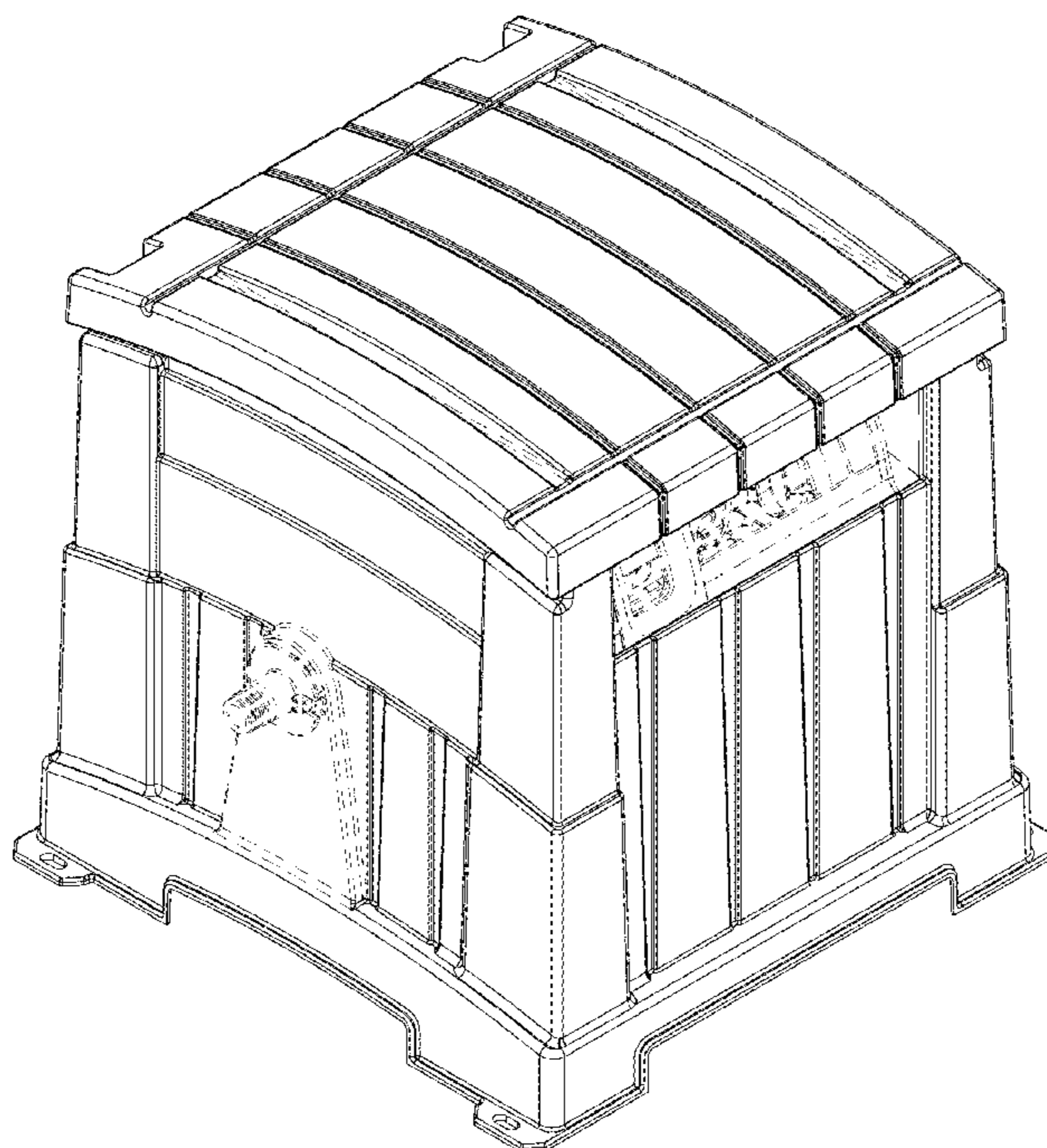
The ornamental design for a hose reel enclosure, as shown and described.

DESCRIPTION

FIG. 1 is a top left isometric view of the hose reel enclosure of the present invention;
FIG. 2 is a left side view thereof;
FIG. 3 is a front view thereof;
FIG. 4 is a right side view thereof;
FIG. 5 is a top view thereof;
FIG. 6 is a top right isometric view thereof; and,
FIG. 7 is a bottom left isometric view thereof.
The portions of the hose reel enclosure illustrated in broken lines form no part of the claimed subject matter.

1 Claim, 7 Drawing Sheets

- (56) **References Cited**
U.S. PATENT DOCUMENTS
D644,391 S * 8/2011 Kopp D34/7
D658,374 S * 5/2012 Anderson D3/273
D661,977 S * 6/2012 Donnelly D8/358



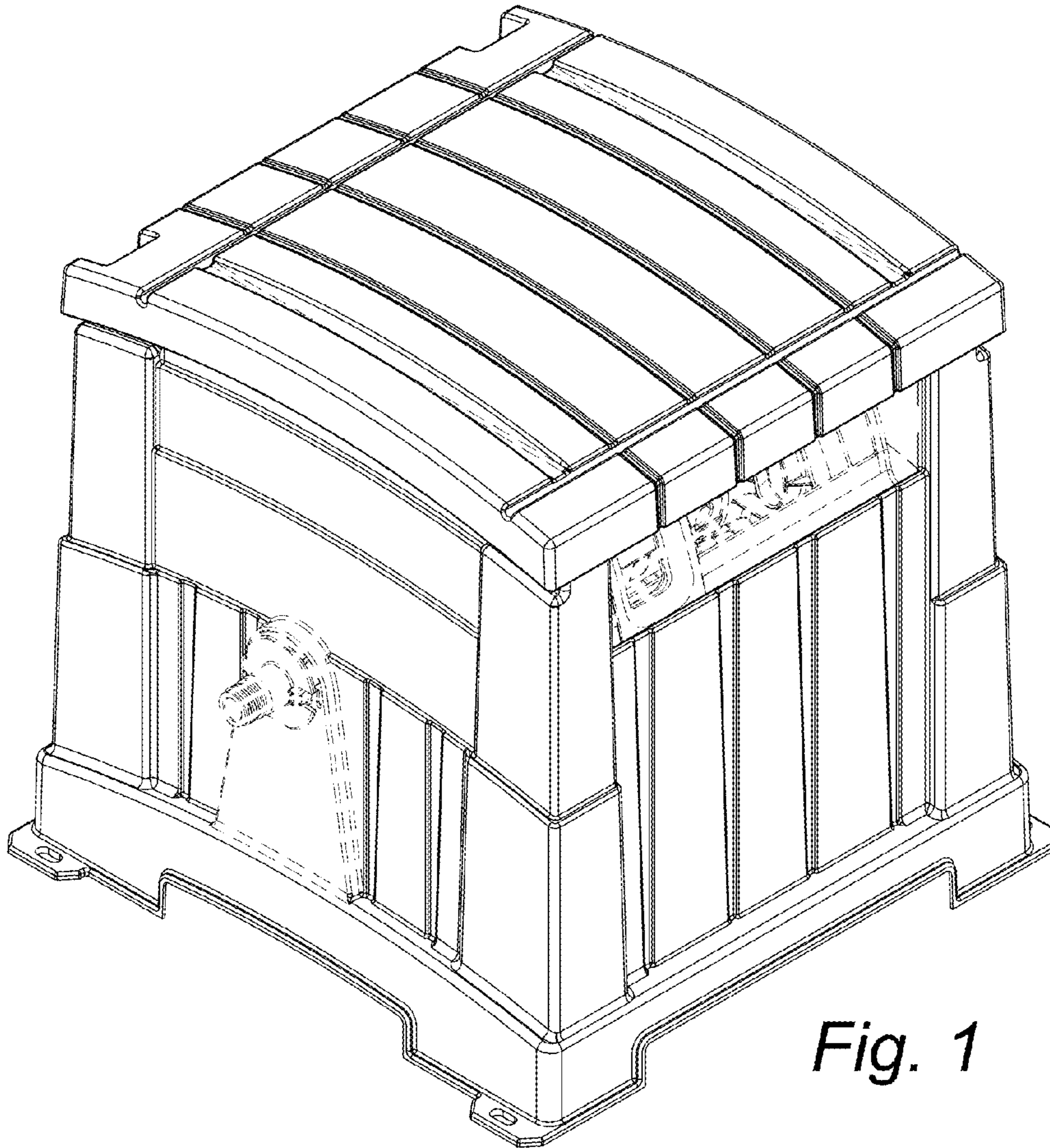


Fig. 1

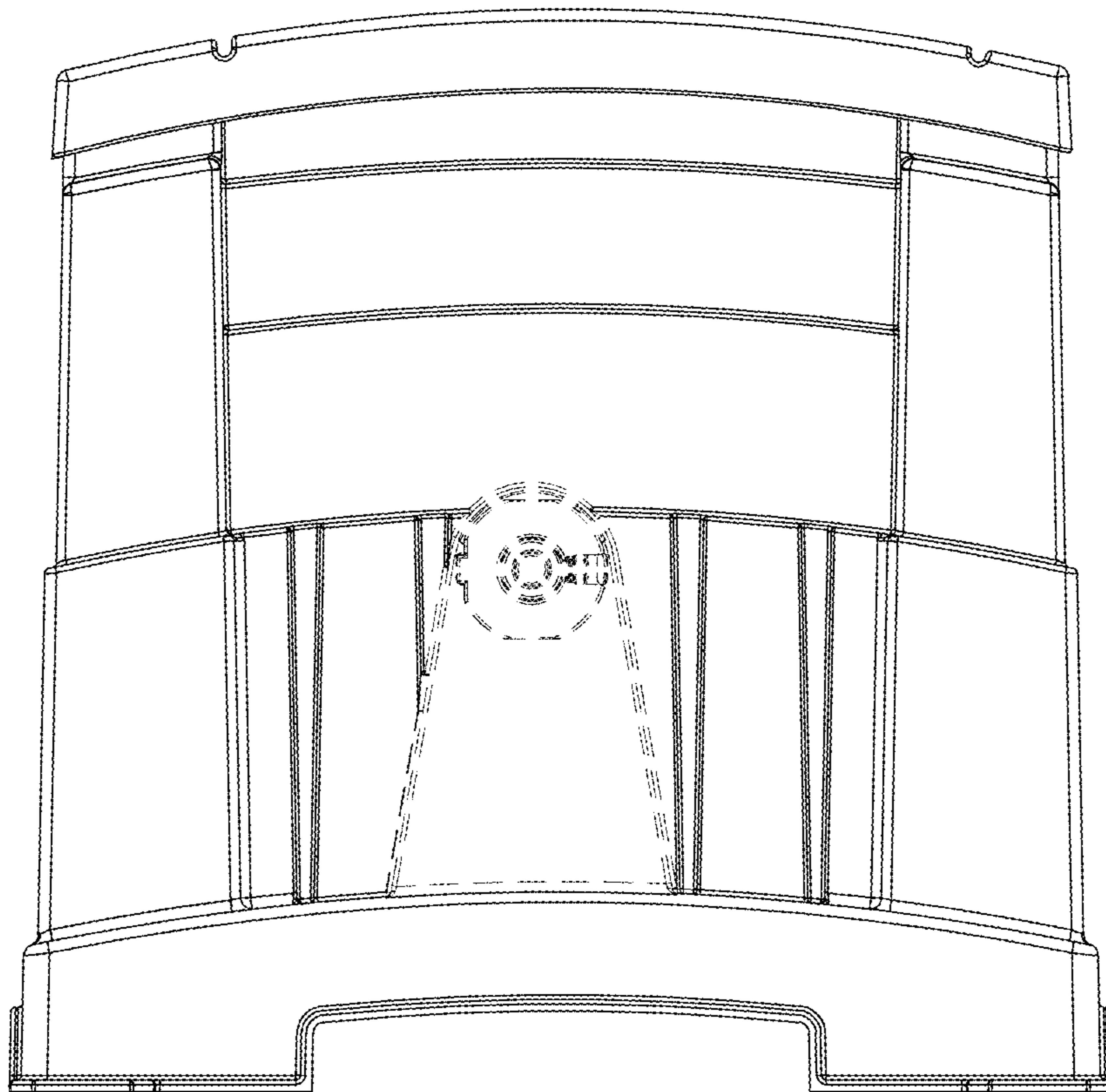


Fig. 2

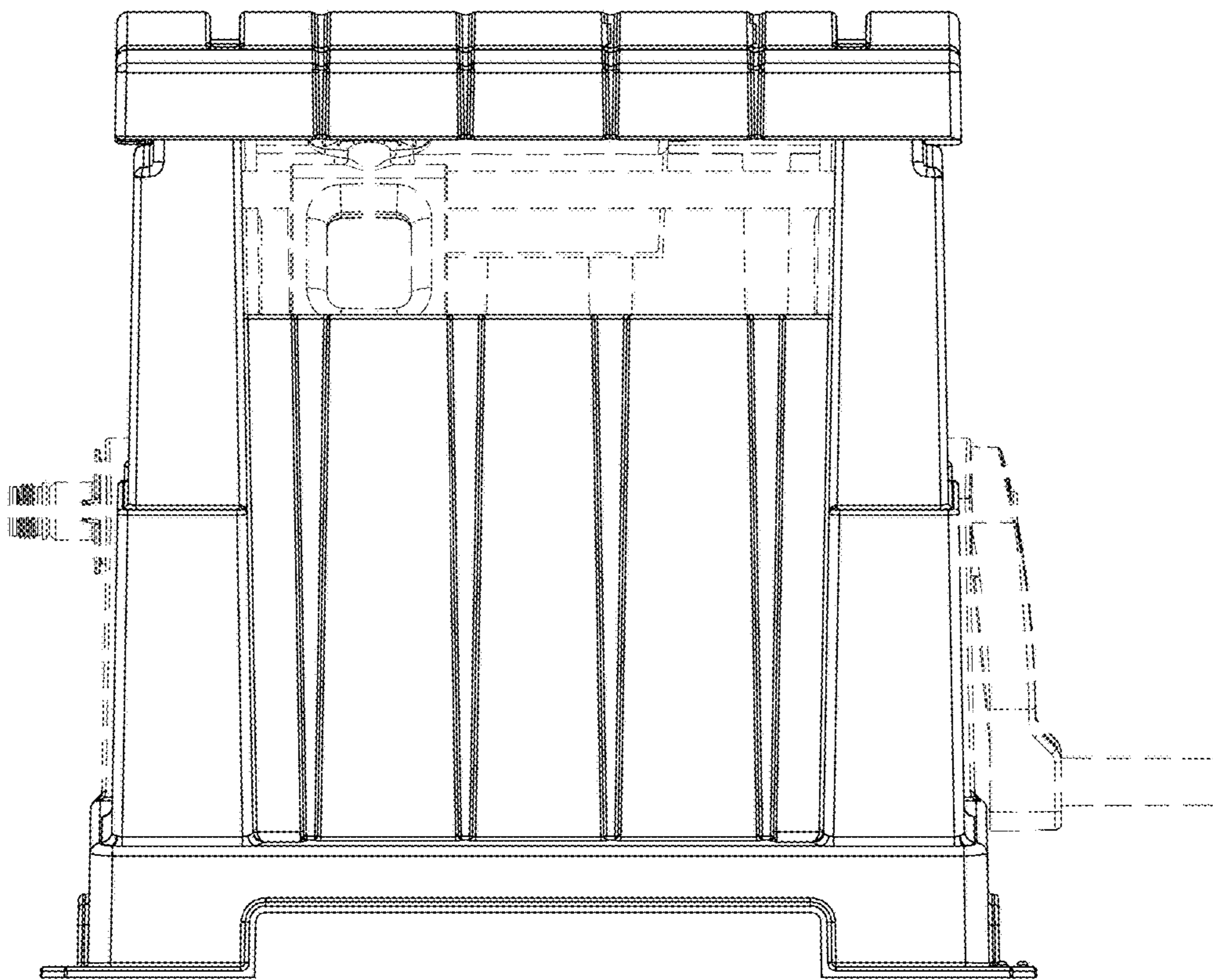


Fig. 3

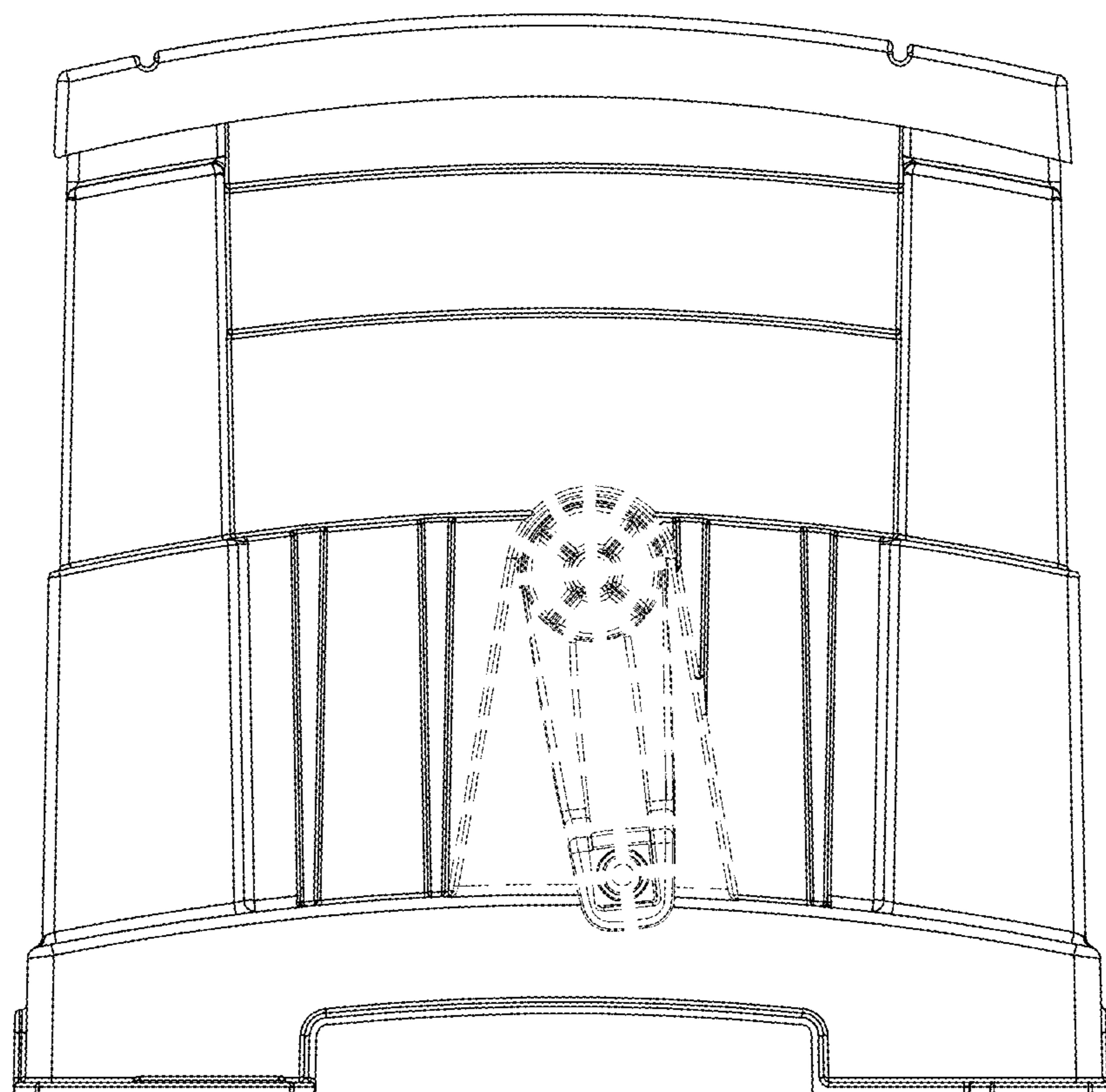


Fig. 4

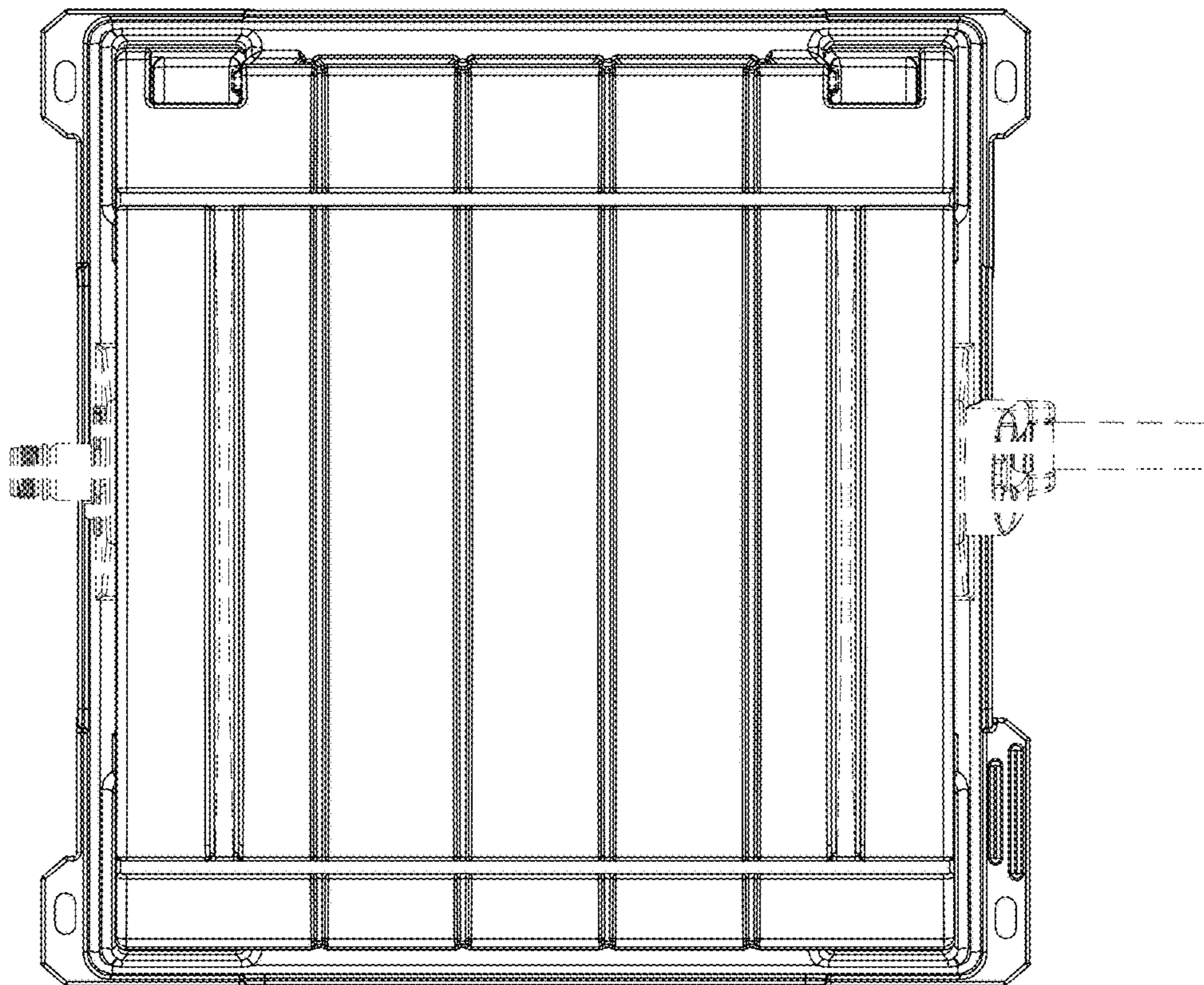


Fig. 5

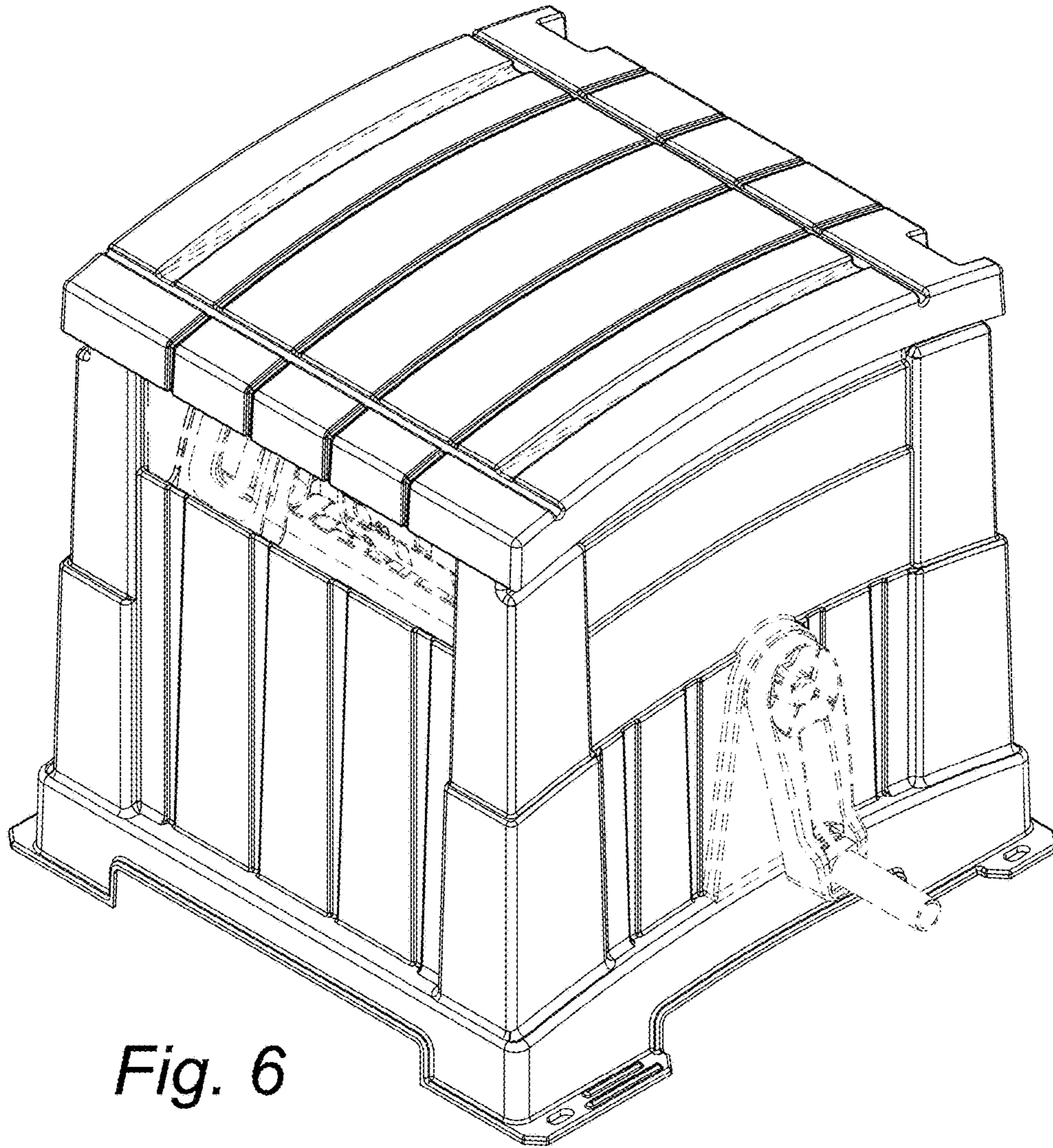


Fig. 6

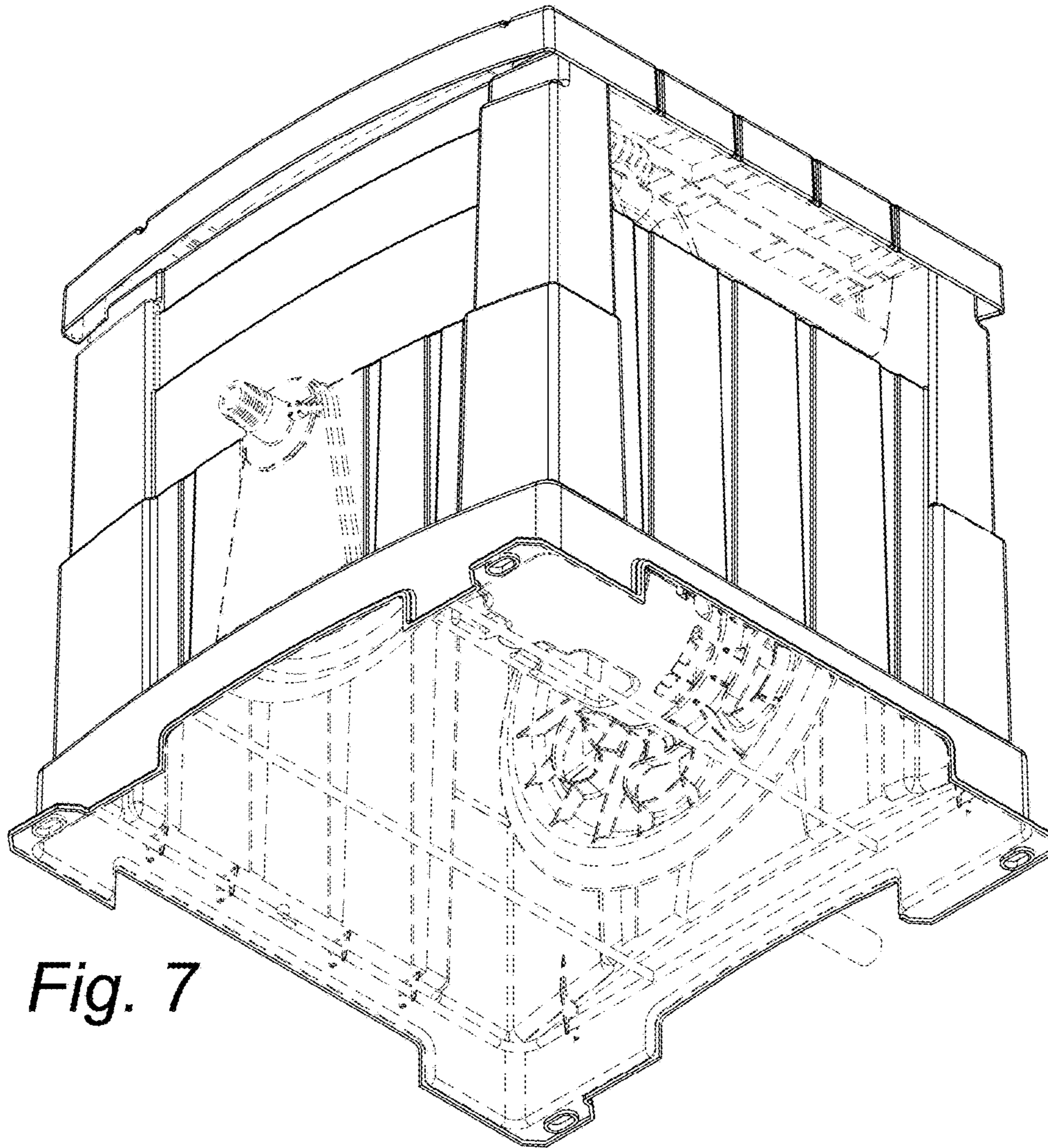


Fig. 7