



US00D805370S

(12) **United States Design Patent** (10) **Patent No.:** **US D805,370 S**
Ng (45) **Date of Patent:** **** Dec. 19, 2017**

- (54) **CABLE ORGANIZER**
- (71) Applicant: **Superior Communications, Inc.**,
Irwindale, CA (US)
- (72) Inventor: **Timothy Ng**, Monrovia, CA (US)
- (73) Assignee: **SUPERIOR COMMUNICATIONS, INC.**, Irwindale, CA (US)
- (**) Term: **15 Years**
- (21) Appl. No.: **29/580,895**
- (22) Filed: **Oct. 13, 2016**
- (51) **LOC (10) Cl.** **09-06**
- (52) **U.S. Cl.**
USPC **D8/356**
- (58) **Field of Classification Search**
USPC D8/356, 354, 349; 206/233
CPC B65H 57/16; E02D 5/803; B63B 21/045;
B63B 59/02; B60D 1/18; B60P 1/103;
B60P 7/0823; Y10T 24/3918; A62B
35/0081; H04R 1/1033; A44B 13/0029
See application file for complete search history.

D667,796 S *	9/2012	Boussekey	D13/156
D675,579 S *	2/2013	Rucker	D13/156
8,602,370 B2 *	12/2013	McKenzie	A47G 25/0614 248/215
D708,052 S *	7/2014	Symons	D8/394
D709,359 S *	7/2014	Symons	D8/396
D741,701 S *	10/2015	McNeil	D8/356
D741,807 S *	10/2015	Kim	D13/133
D758,838 S *	6/2016	Symons	D8/383
D761,088 S *	7/2016	Leonard	D8/356
D763,666 S *	8/2016	Wengreen	D8/356
D765,037 S *	8/2016	Hebert	D13/156
D776,517 S *	1/2017	Sterling	D8/356
D795,044 S *	8/2017	McNutt	D13/156
2009/0094798 A1 *	4/2009	Yao	A43C 1/00 24/115 G
2010/0148018 A1 *	6/2010	Schoenau	F16L 5/14 248/74.4

* cited by examiner

Primary Examiner — Cynthia Underwood

(74) *Attorney, Agent, or Firm* — Snell & Wilmer L.L.P.

(57) **CLAIM**

I claim the ornamental design for a cable organizer, as shown and described.

DESCRIPTION

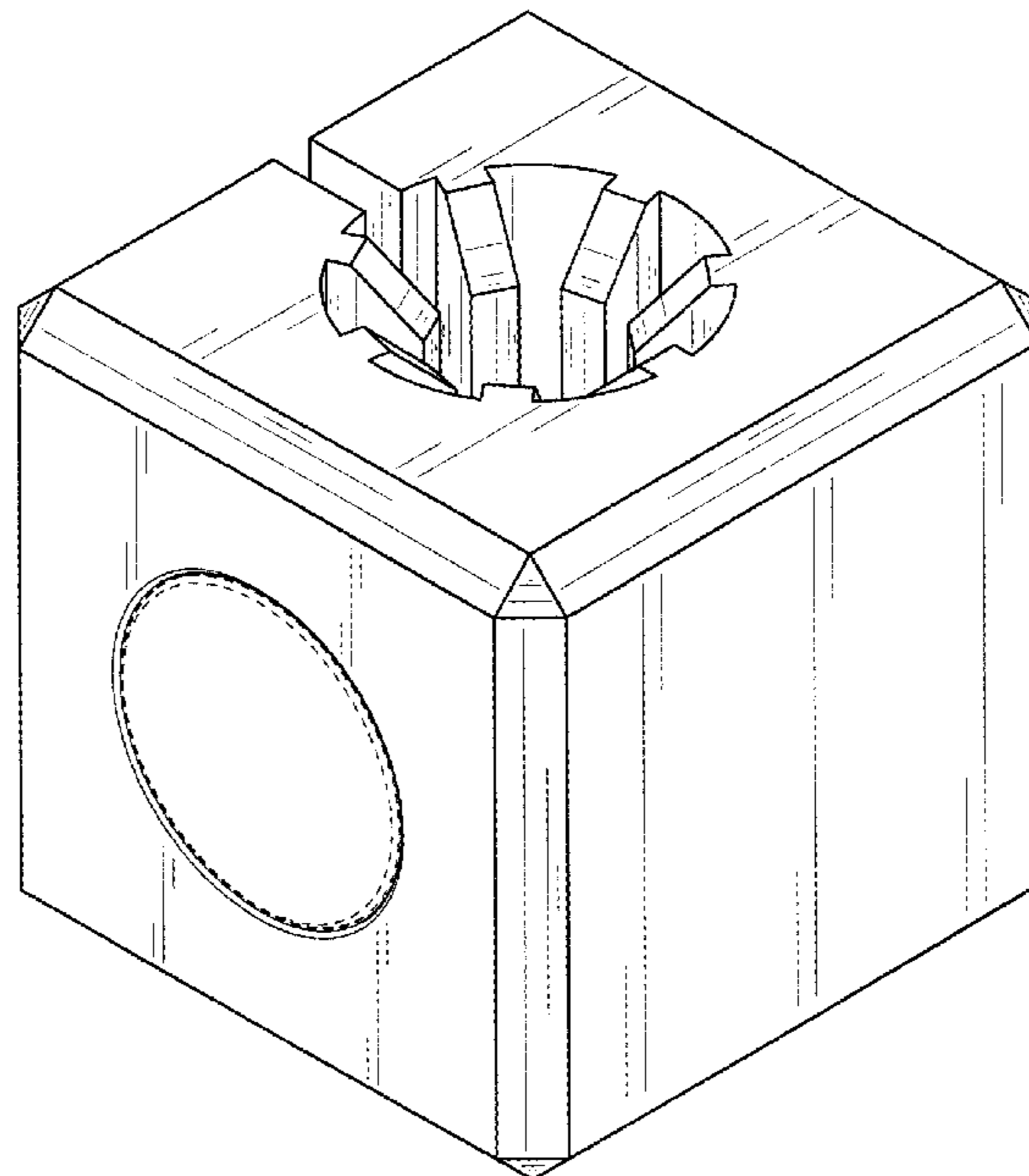
FIG. 1 is a perspective view of the cable organizer; FIG. 2 is a bottom view of the cable organizer; FIG. 3 is a right side view of the cable organizer; FIG. 4 is a left side view of the cable organizer; FIG. 5 is a top view of the cable organizer; FIG. 6 is a front view of the cable organizer; and, FIG. 7 is a rear view of the cable organizer. The broken lines represent environment that forms no part of the claim.

1 Claim, 7 Drawing Sheets

(56) **References Cited**

U.S. PATENT DOCUMENTS

D264,828 S *	6/1982	Gray	D11/87
D323,102 S *	1/1992	Kipling	D8/331
D331,725 S *	12/1992	Mastoloni	59/80
D460,421 S *	7/2002	Marozsan, Jr.	D13/156
D466,433 S *	12/2002	Goto	D11/87
D569,349 S *	5/2008	Preston	D13/156
D627,001 S *	11/2010	De Niet	D20/22
D649,444 S *	11/2011	Gallagher, Jr.	D8/383
D649,864 S *	12/2011	Symons	D8/356
D660,138 S *	5/2012	Gallagher, Jr.	D11/87



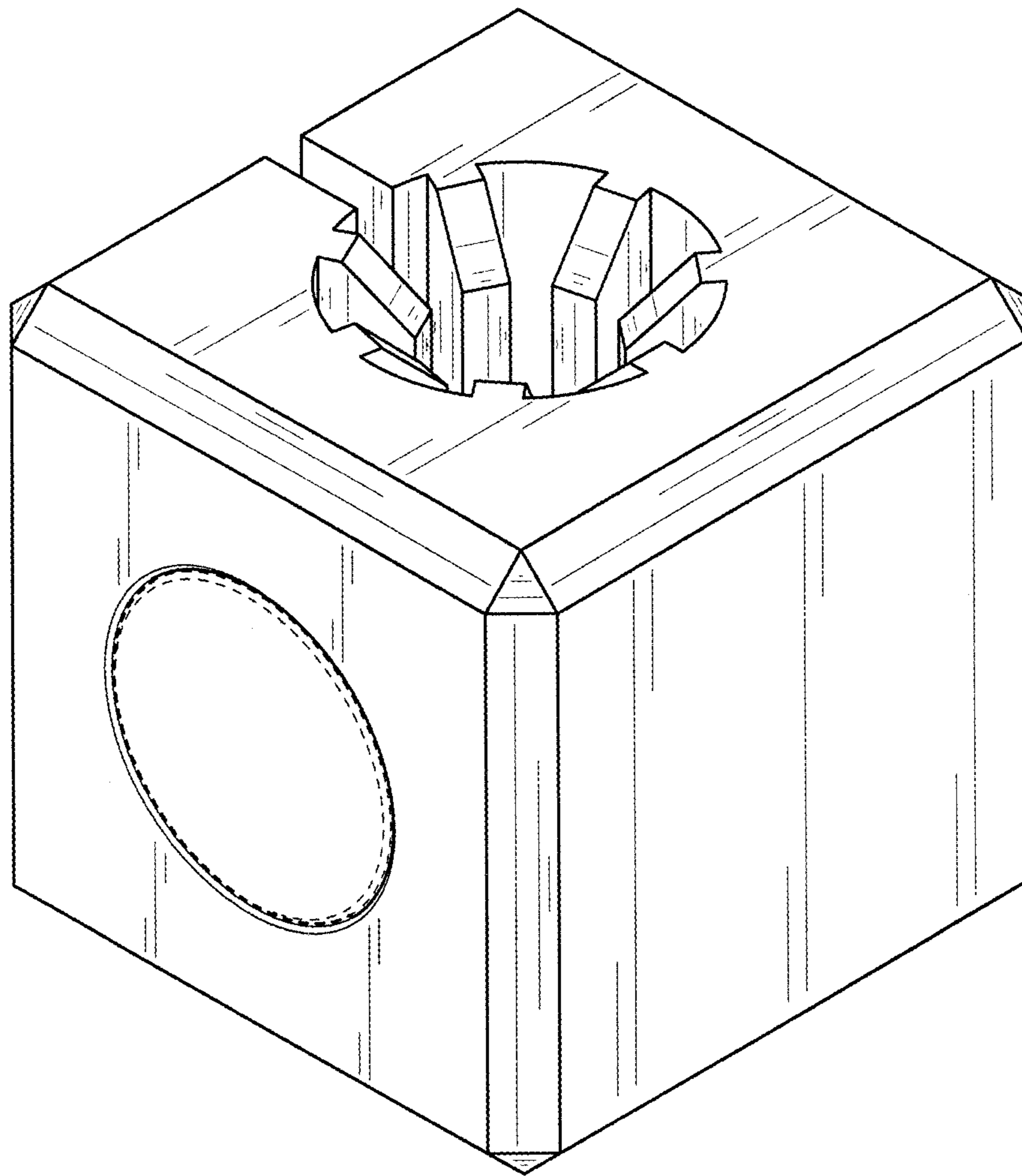


FIG. 1

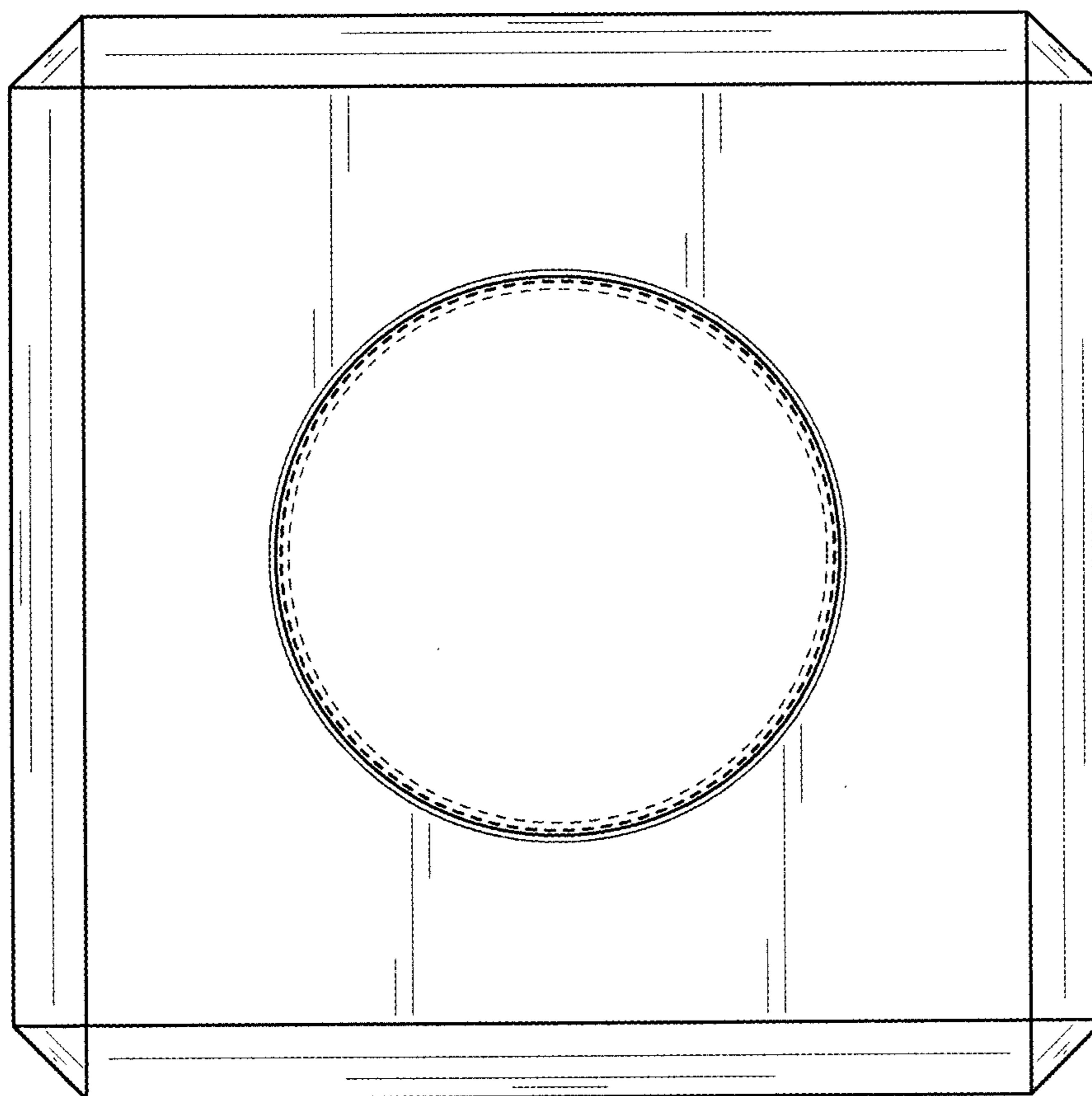


FIG. 2

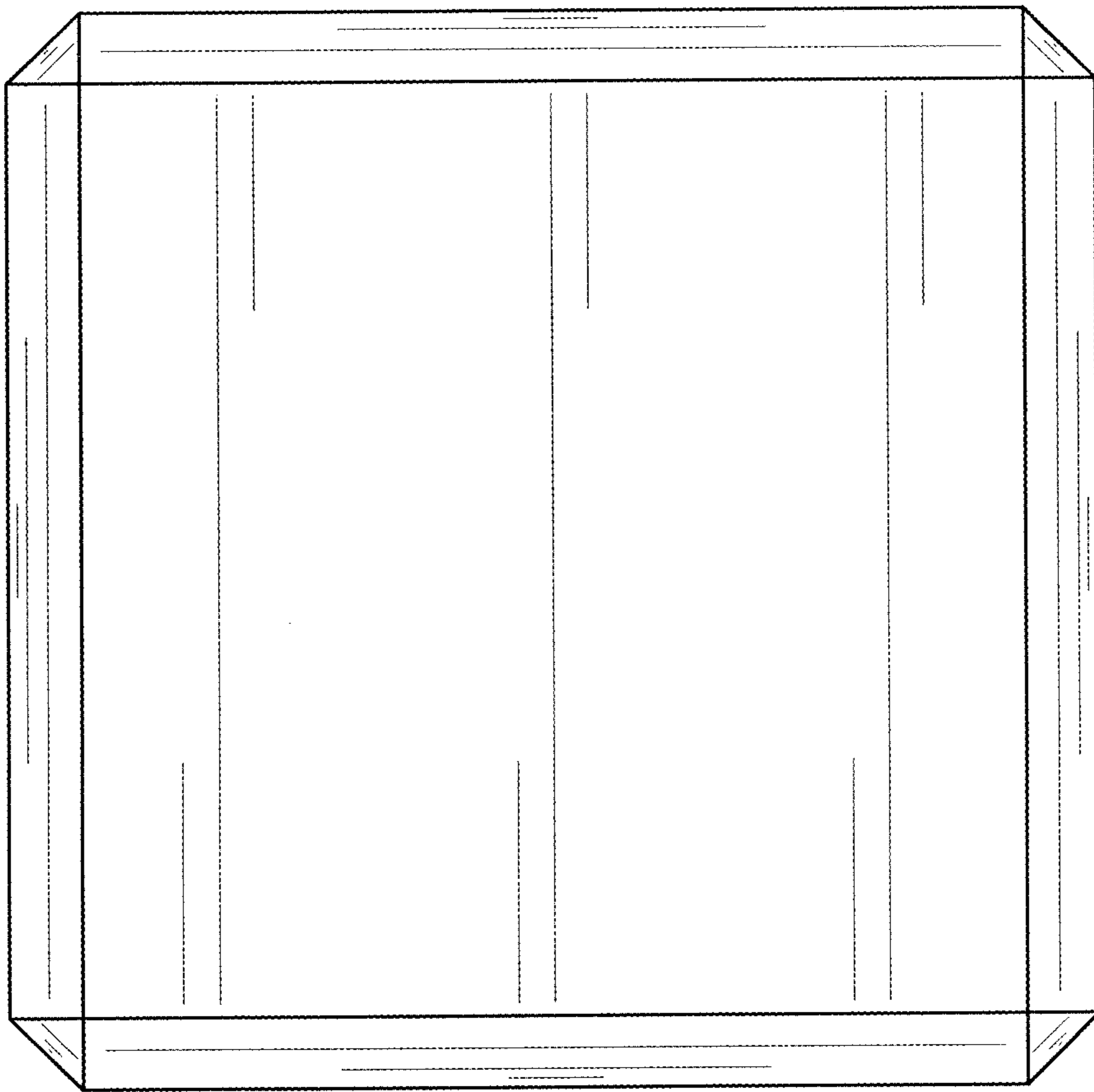


FIG. 3

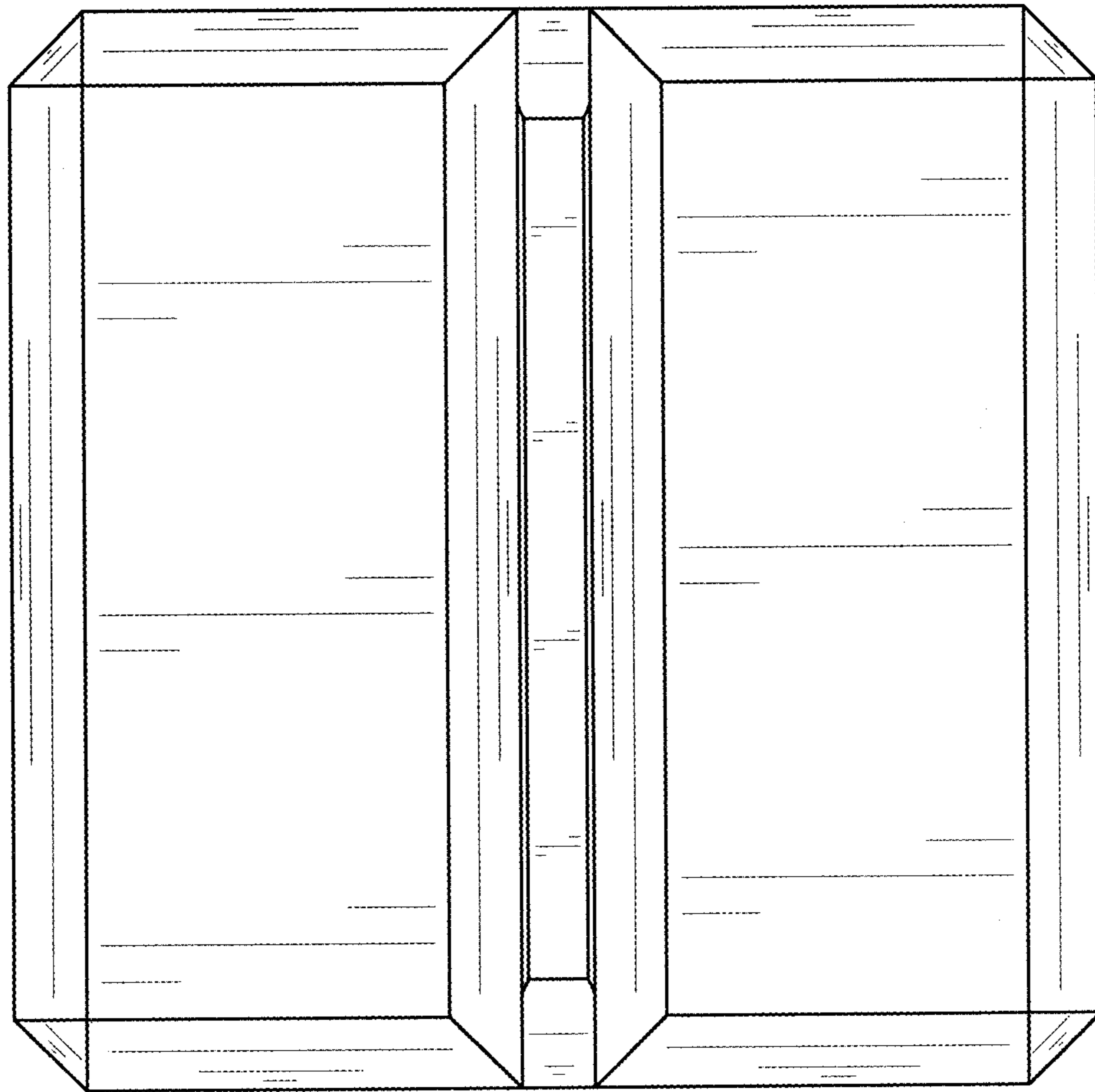


FIG. 4

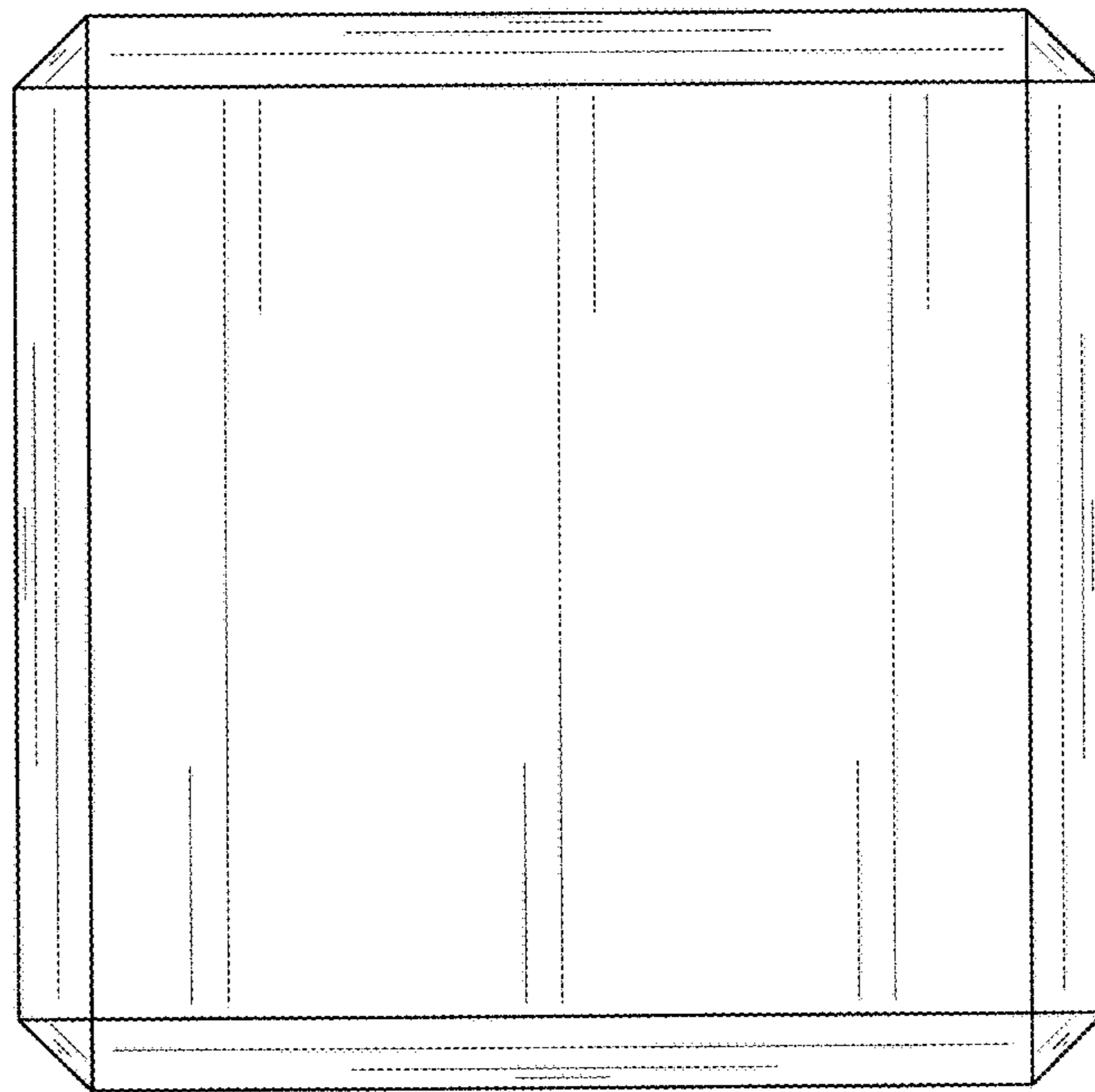


FIG. 5

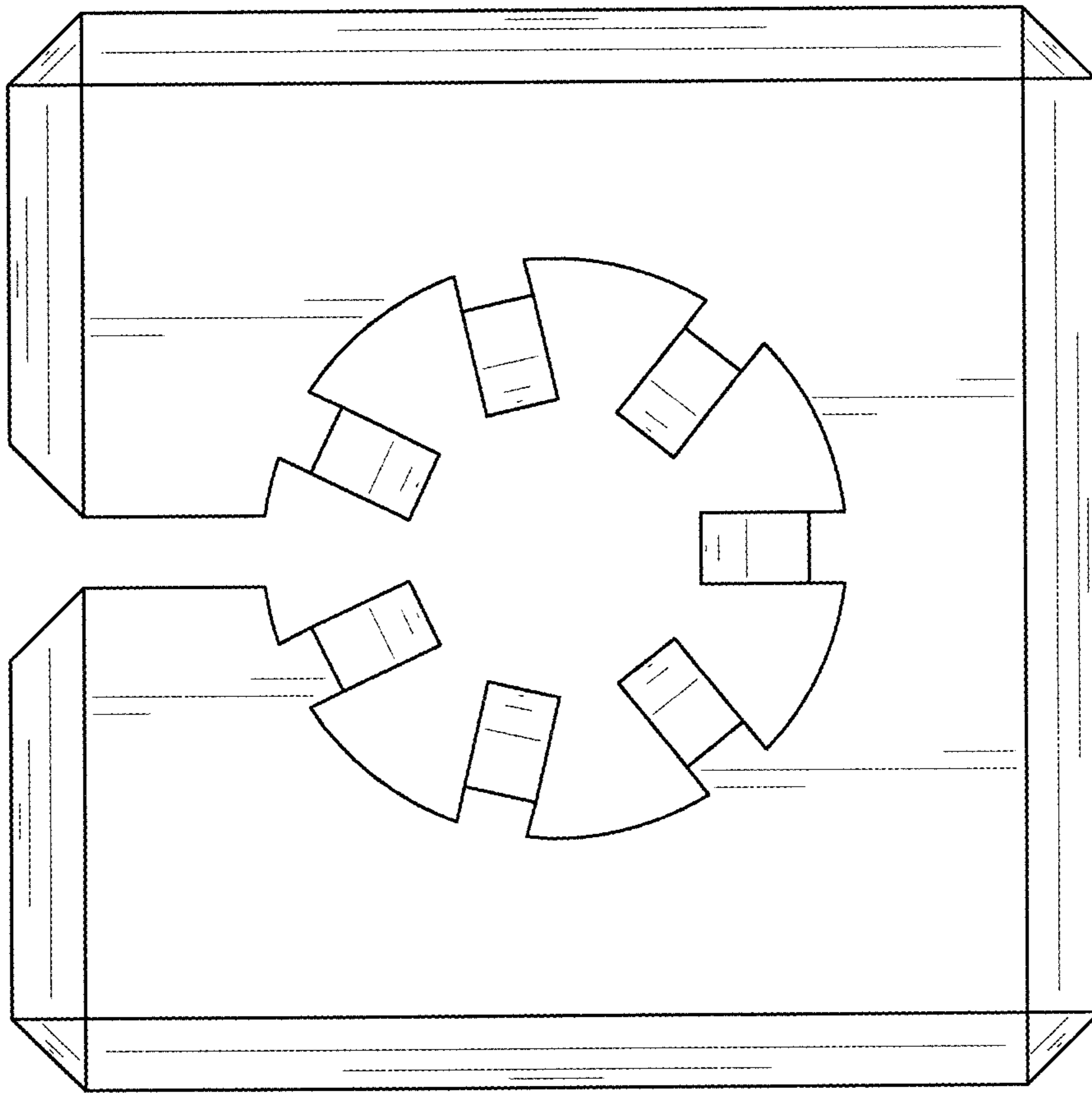


FIG. 6

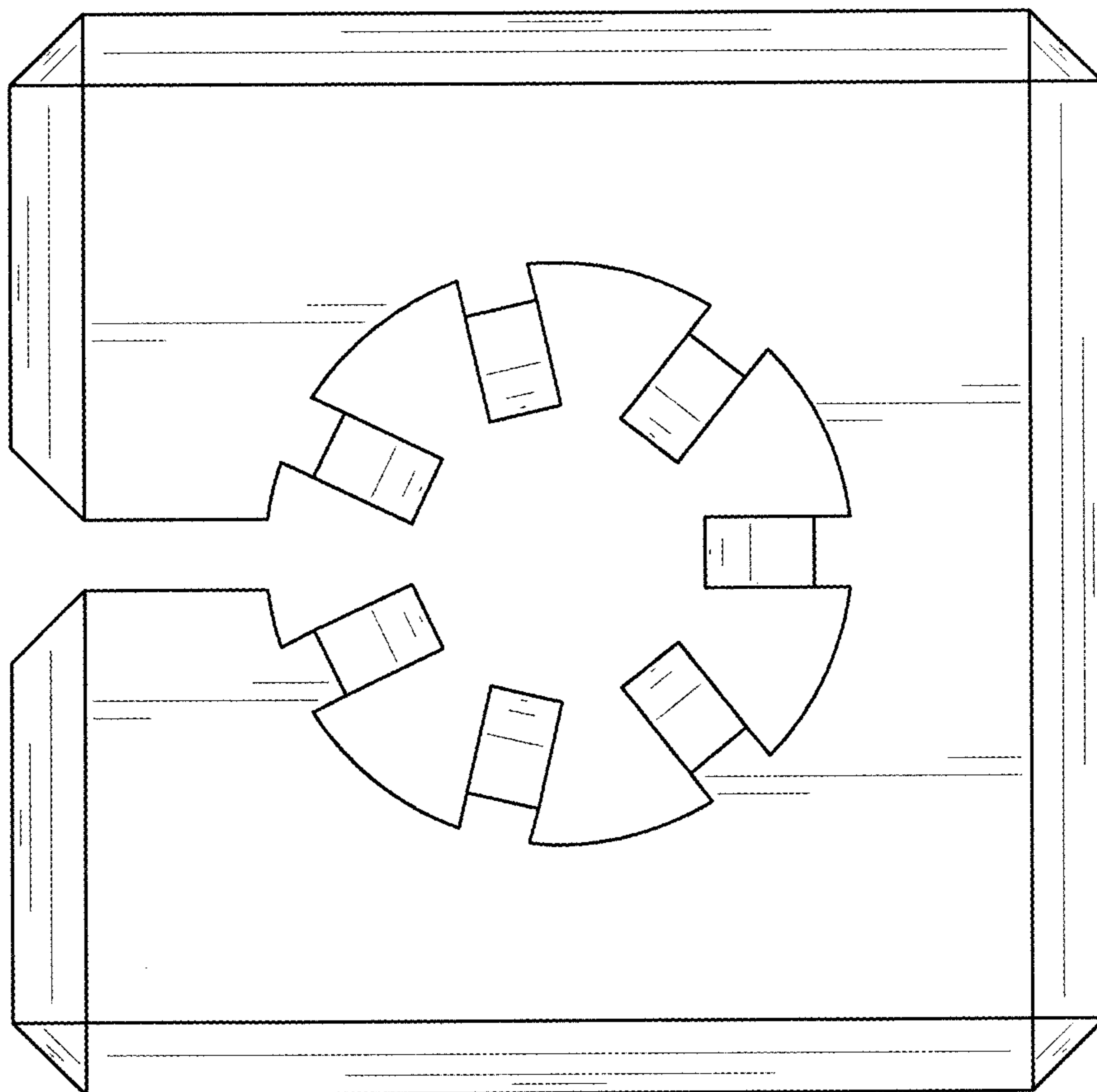


FIG. 7