



US00D805369S

(12) **United States Design Patent** (10) **Patent No.:** **US D805,369 S**
Vassar et al. (45) **Date of Patent:** **** Dec. 19, 2017**

(54) **SUPPORT FRAME**

(71) Applicant: **Target Brands, Inc.**, Minneapolis, MN (US)

(72) Inventors: **Daniel B. Vassar**, Shorewood, MN (US); **Janet L. Campbell**, Forest Lake, MN (US)

(73) Assignee: **Target Brands, Inc.**, Minneapolis, MN (US)

(**) Term: **15 Years**

(21) Appl. No.: **29/564,145**

(22) Filed: **May 11, 2016**

(51) **LOC (10) Cl.** **08-08**

(52) **U.S. Cl.**
USPC **D8/349**

(58) **Field of Classification Search**
 USPC D8/349, 354, 363, 355, 364, 366, 371, D8/373, 380, 381; D14/451, 452; 248/222.11, 274.1, 278.1, 284.1, 220.22, 248/221.11, 221.12, 222.13, 222.41, 248/223.31, 223.41, 224.51, 224.61, 248/224.8, 225.11, 316.2, 407, 346.03, 248/346.04, 346.06, 177.1, 178.1, 187.1; 224/547, 548, 554, 567, 571
 CPC B60R 2011/0059; B60R 2011/0061; B60R 2011/0073; B60R 2011/0078; B60R 2011/0084; F16M 11/041; F16M 13/02; F16M 2200/02; B60P 7/0807; B60P 7/0815; F16B 2/14; A61B 90/50; A47K 5/12; A47K 5/00

See application file for complete search history.

(56) **References Cited**

U.S. PATENT DOCUMENTS

1,829,353 A * 10/1931 Hogan B67D 3/0029
 248/105
 2,029,051 A * 1/1936 Blevins A47G 23/0241
 215/395
 2,200,024 A * 5/1940 De Sipio A47K 5/12
 222/162
 2,431,698 A * 12/1947 Lombard A62C 13/78
 248/311.2
 D305,629 S * 1/1990 Wood D12/133
 D337,851 S * 7/1993 Gary D26/138
 D704,900 S * 5/2014 Childs D29/130
 D747,177 S * 1/2016 McGinty D8/349

OTHER PUBLICATIONS

Photo of Prototype Version, first publicly available Feb. 2015.

* cited by examiner

Primary Examiner — Mark Goodwin

(74) *Attorney, Agent, or Firm* — Leanne Taveggia Farrell; Westman, Champlin & Koehler, P.A.

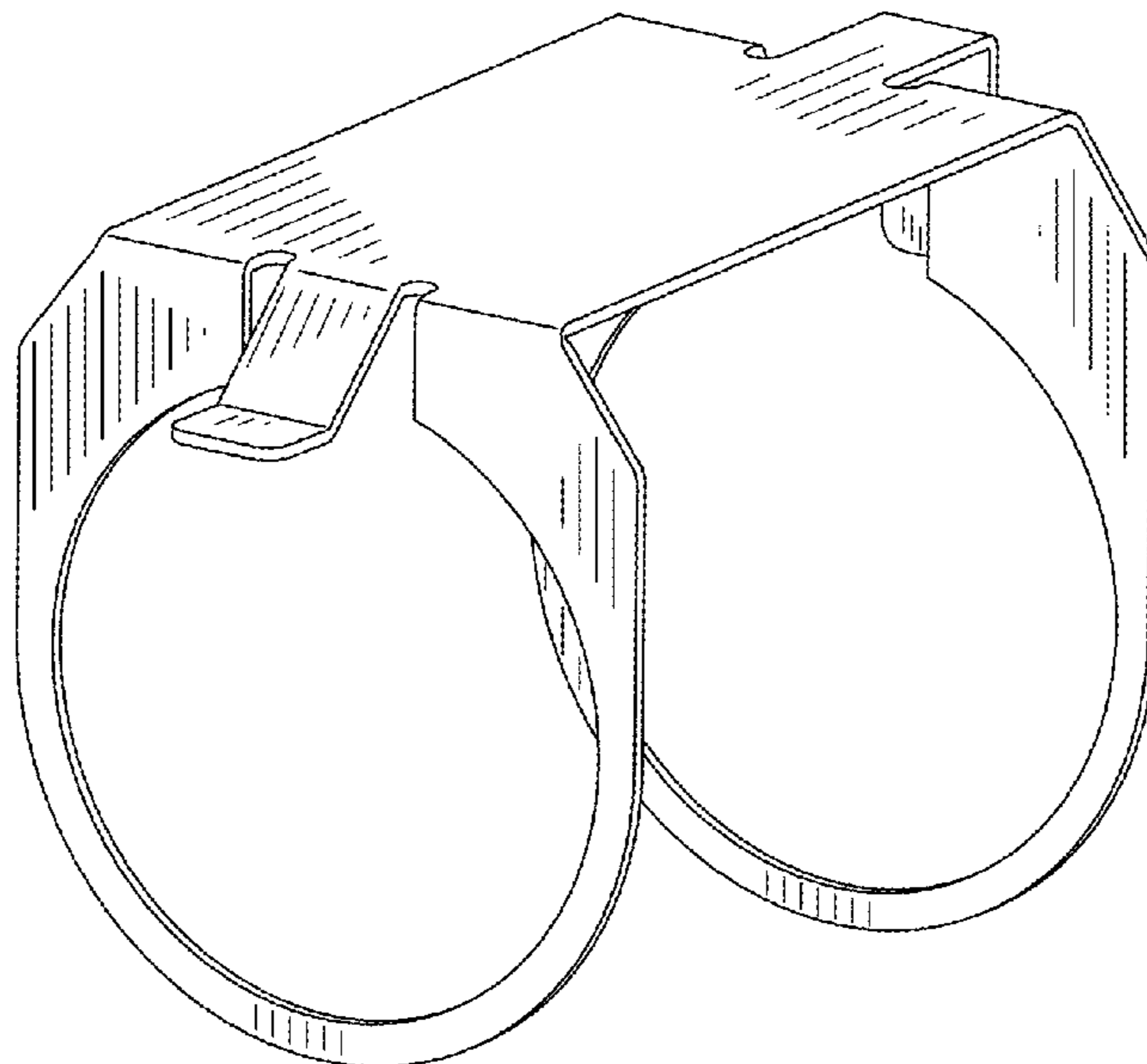
(57) **CLAIM**

The ornamental design for a support frame, as shown.

DESCRIPTION

FIG. 1 is a perspective view of a support frame, showing our new design;
 FIG. 2 is a front view thereof;
 FIG. 3 is a back view thereof;
 FIG. 4 is a right side view thereof, the left side view is a mirror image;
 FIG. 5 is a top view thereof; and,
 FIG. 6 is a bottom view thereof.

1 Claim, 2 Drawing Sheets



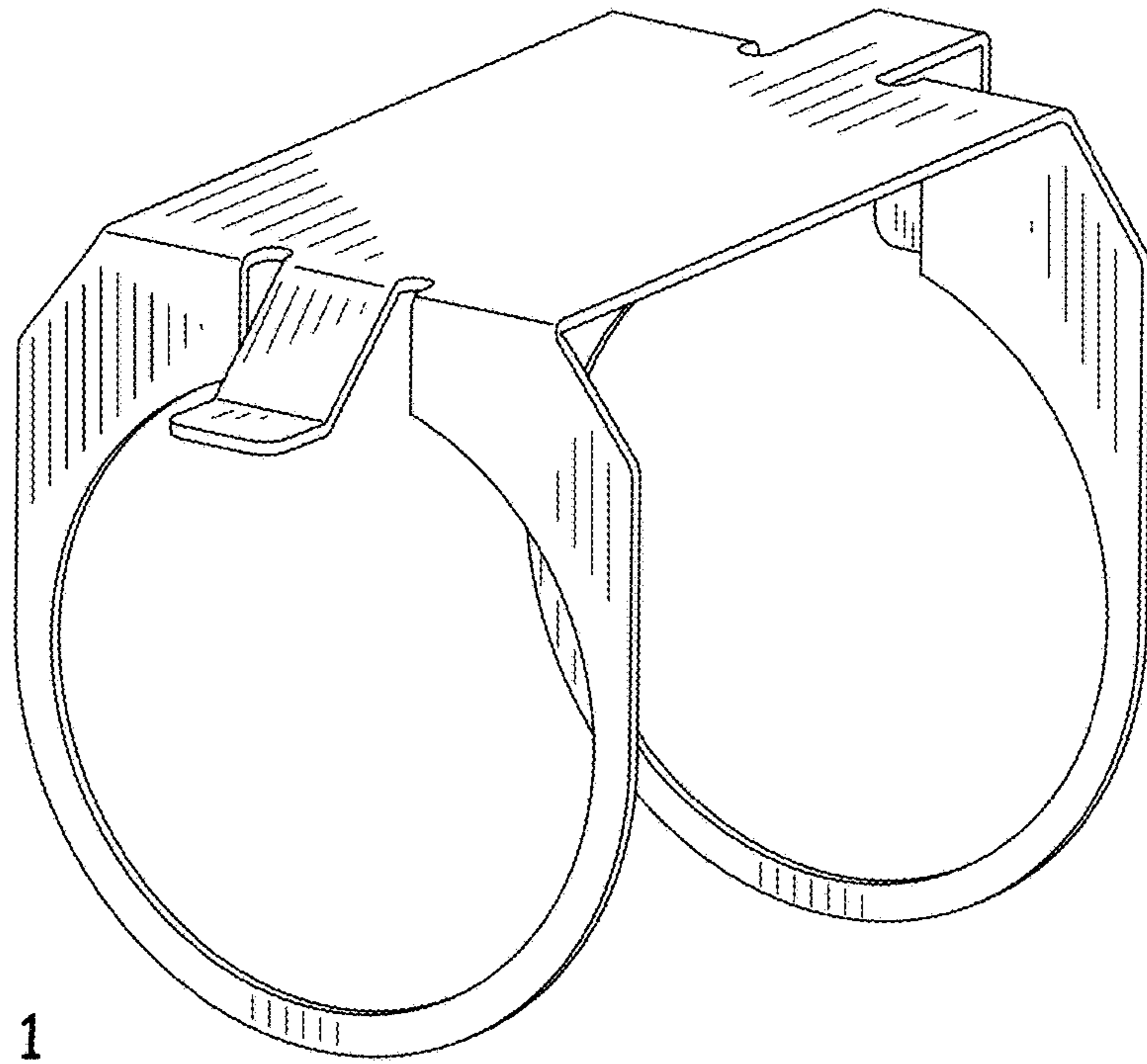


Fig. 1

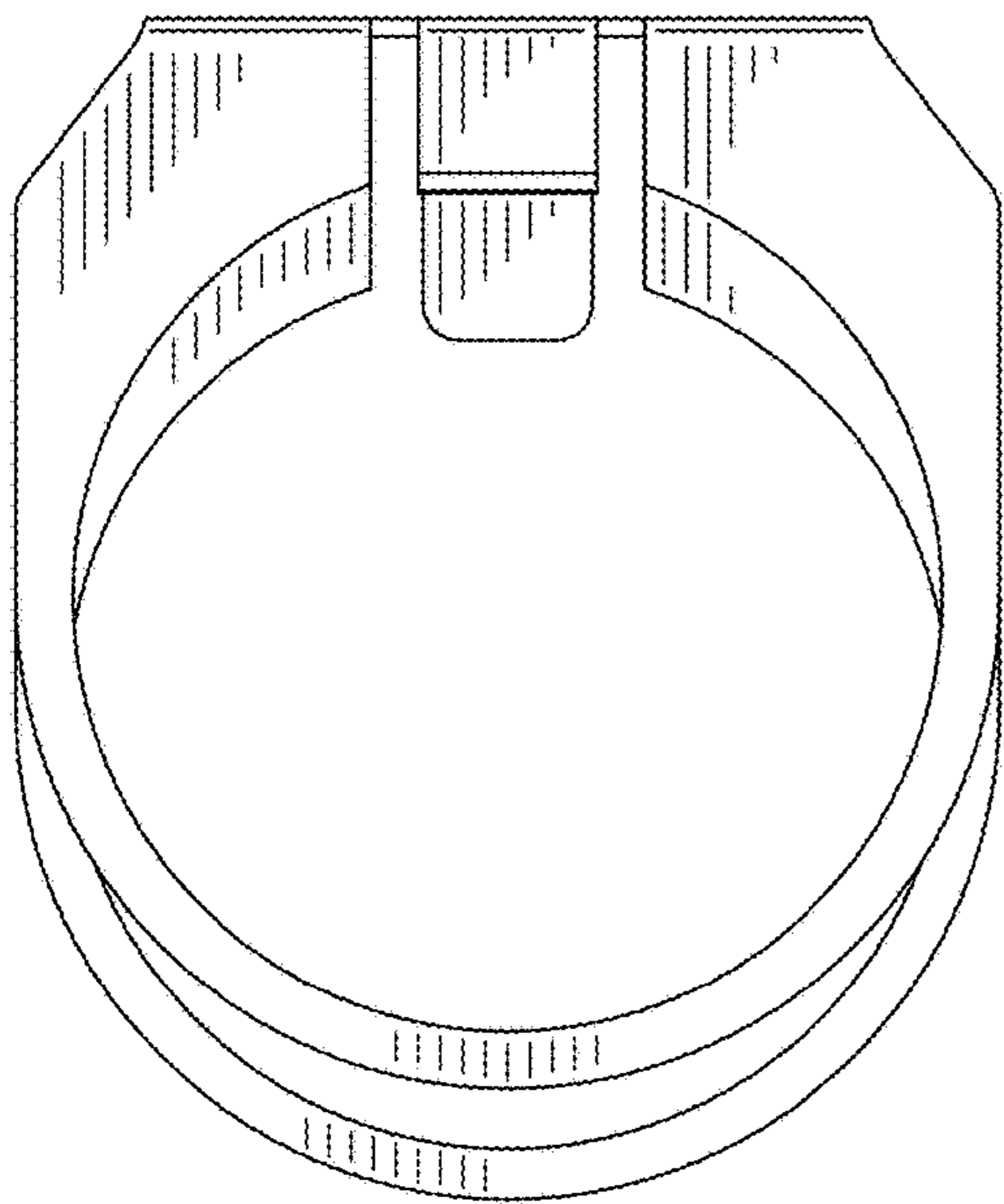


Fig. 2

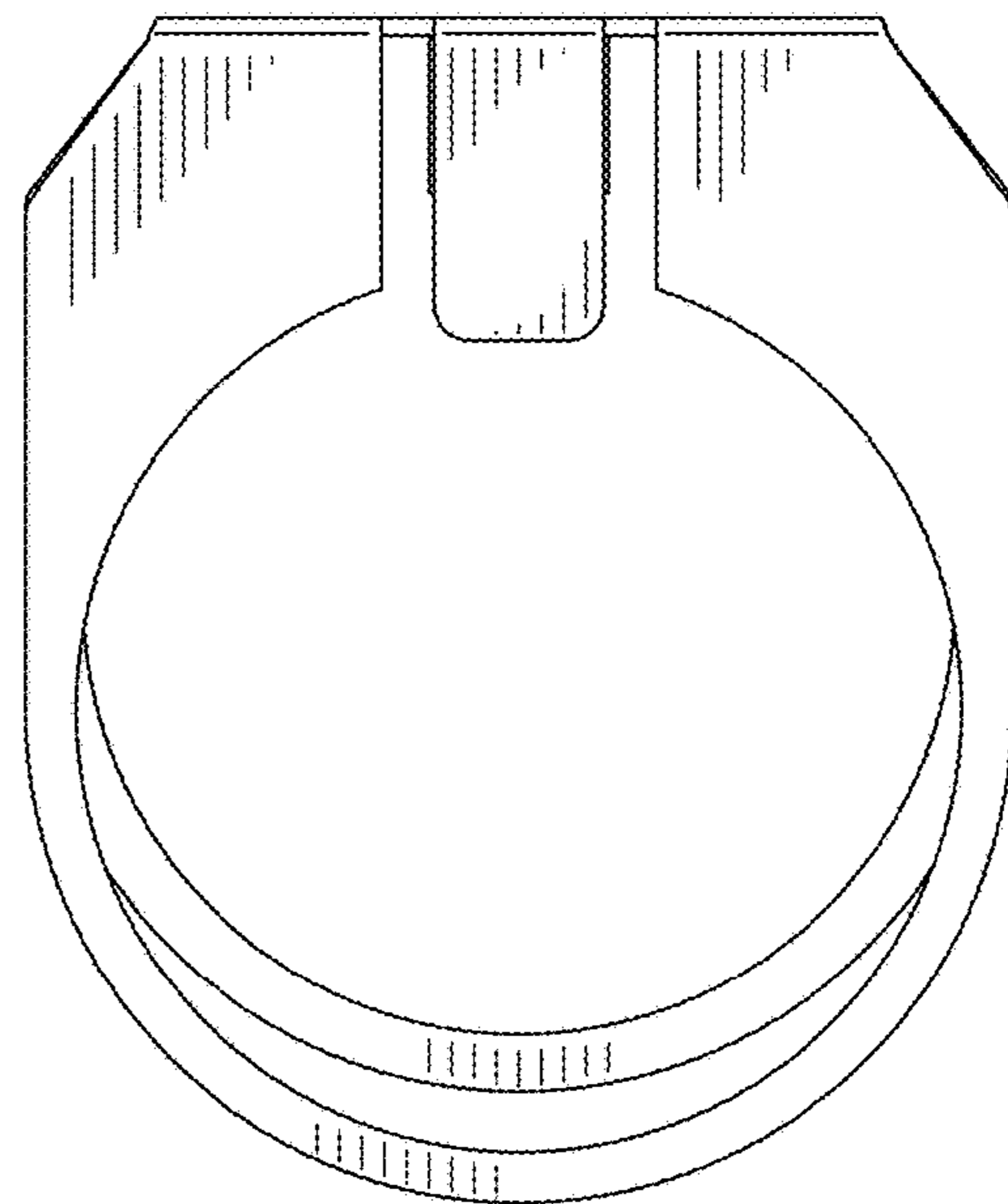


Fig. 3

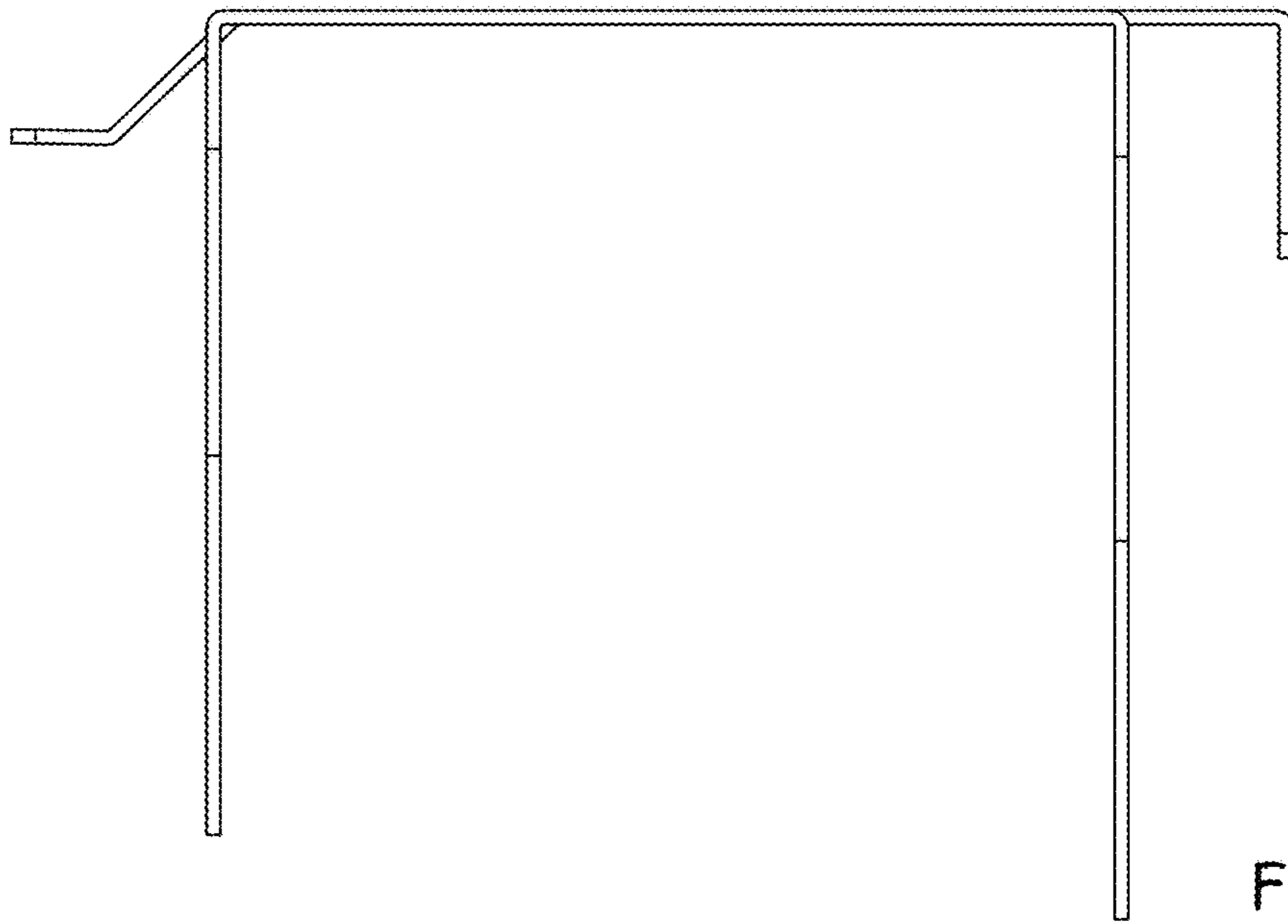


Fig. 4

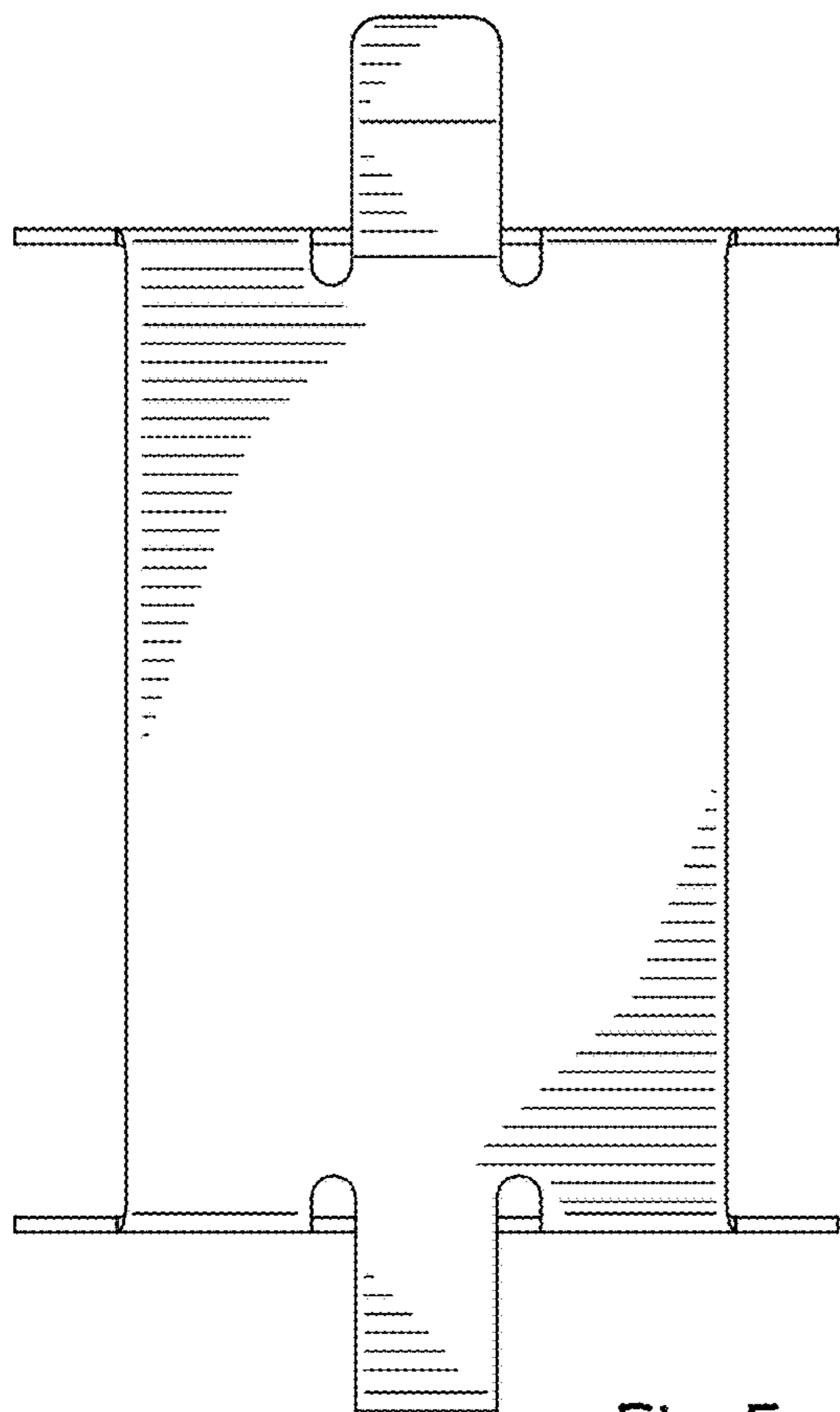


Fig. 5

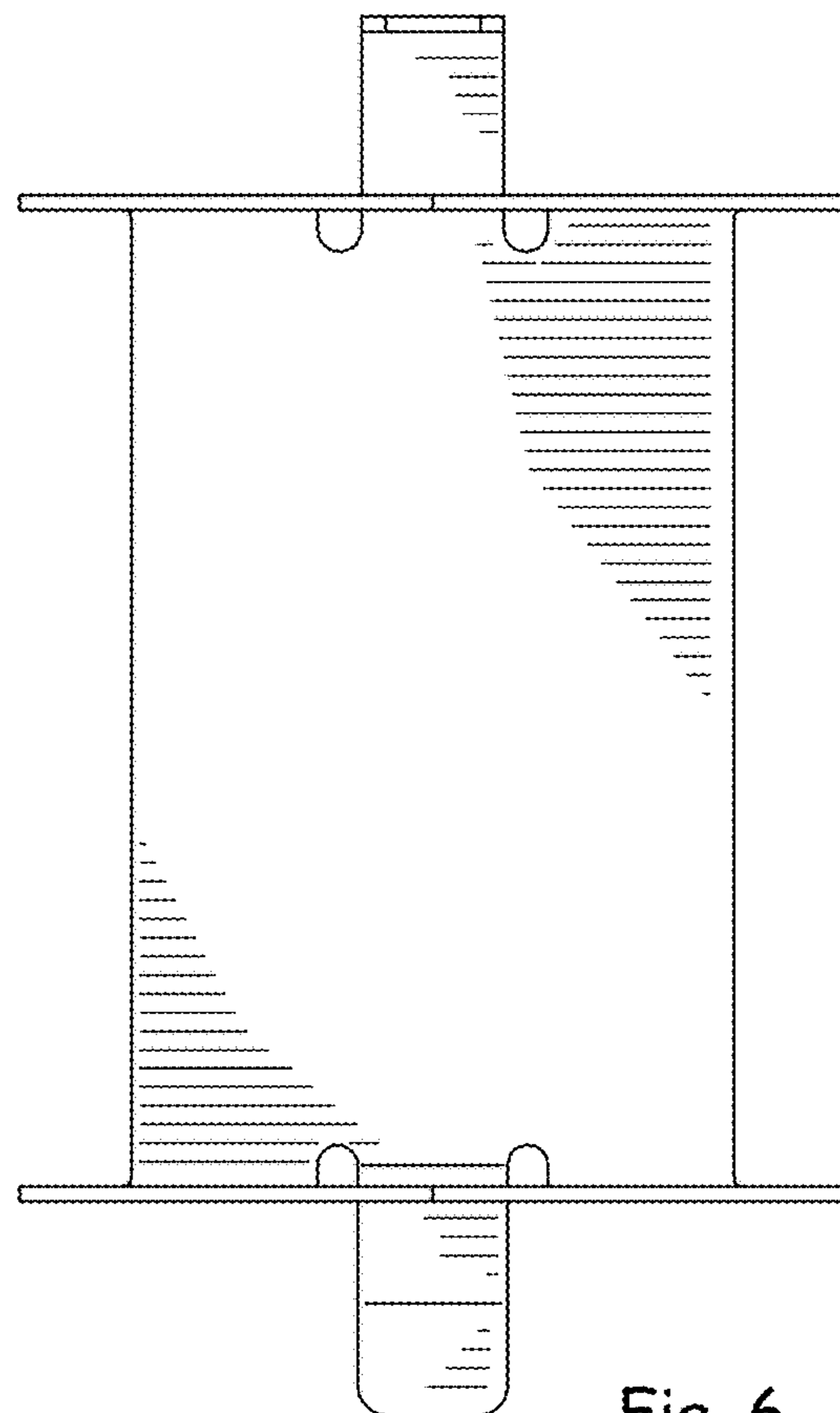


Fig. 6