



US00D805368S

(12) **United States Design Patent**  
**Gui**

(10) **Patent No.:** **US D805,368 S**

(45) **Date of Patent:** **\*\* Dec. 19, 2017**

(54) **MAGNETIC DRAWER LOCK**

(71) Applicant: **Jian Jiang Gui**, Hunan (CN)

(72) Inventor: **Jian Jiang Gui**, Hunan (CN)

(\*\*) Term: **15 Years**

(21) Appl. No.: **29/588,814**

(22) Filed: **Dec. 22, 2016**

(51) **LOC (10) Cl.** ..... **08-07**

(52) **U.S. Cl.**  
USPC ..... **D8/336; D8/343; D8/339**

(58) **Field of Classification Search**  
USPC ..... D8/330, 331, 336, 339, 343, 344, 349,  
D8/367, 400; 70/78-84, 85-88, 14, 51,  
70/52, 57, 1, 64, 69, 431, 416, 465, 466;  
292/163, 210, 84, 56, 63, 95, 349;  
312/333, 332.1, 317.1, 351.1  
CPC . A47B 88/00; A47B 88/40; A47B 2088/4015;  
E05B 65/44; E05B 65/46  
See application file for complete search history.

(56) **References Cited**

**U.S. PATENT DOCUMENTS**

D313,337 S *	1/1991	Haskell	.....	D8/336
6,082,839 A *	7/2000	Chiku	.....	E05B 65/463 312/217
6,173,593 B1 *	1/2001	Liermann	.....	E05B 65/0014 292/DIG. 65
D453,468 S *	2/2002	Ziemer	.....	D8/339
6,942,257 B2 *	9/2005	Wong	.....	E05B 65/0014 292/128

D620,341 S *	7/2010	Rechberg	.....	D8/331
7,823,425 B2 *	11/2010	Crossley	.....	E05B 65/0014 292/139
8,347,974 B2 *	1/2013	Calvert	.....	E02F 3/3622 172/272
8,523,301 B1 *	9/2013	Britson	.....	E05B 65/46 312/333
D721,569 S *	1/2015	Ziegler	.....	D8/331
9,593,509 B2 *	3/2017	Murray	.....	E05B 65/46
9,717,335 B2 *	8/2017	Zhang	.....	A47B 88/477
9,725,924 B2 *	8/2017	Hashemi	.....	E05B 47/0001

\* cited by examiner

*Primary Examiner* — Prabhakar G Deshmukh

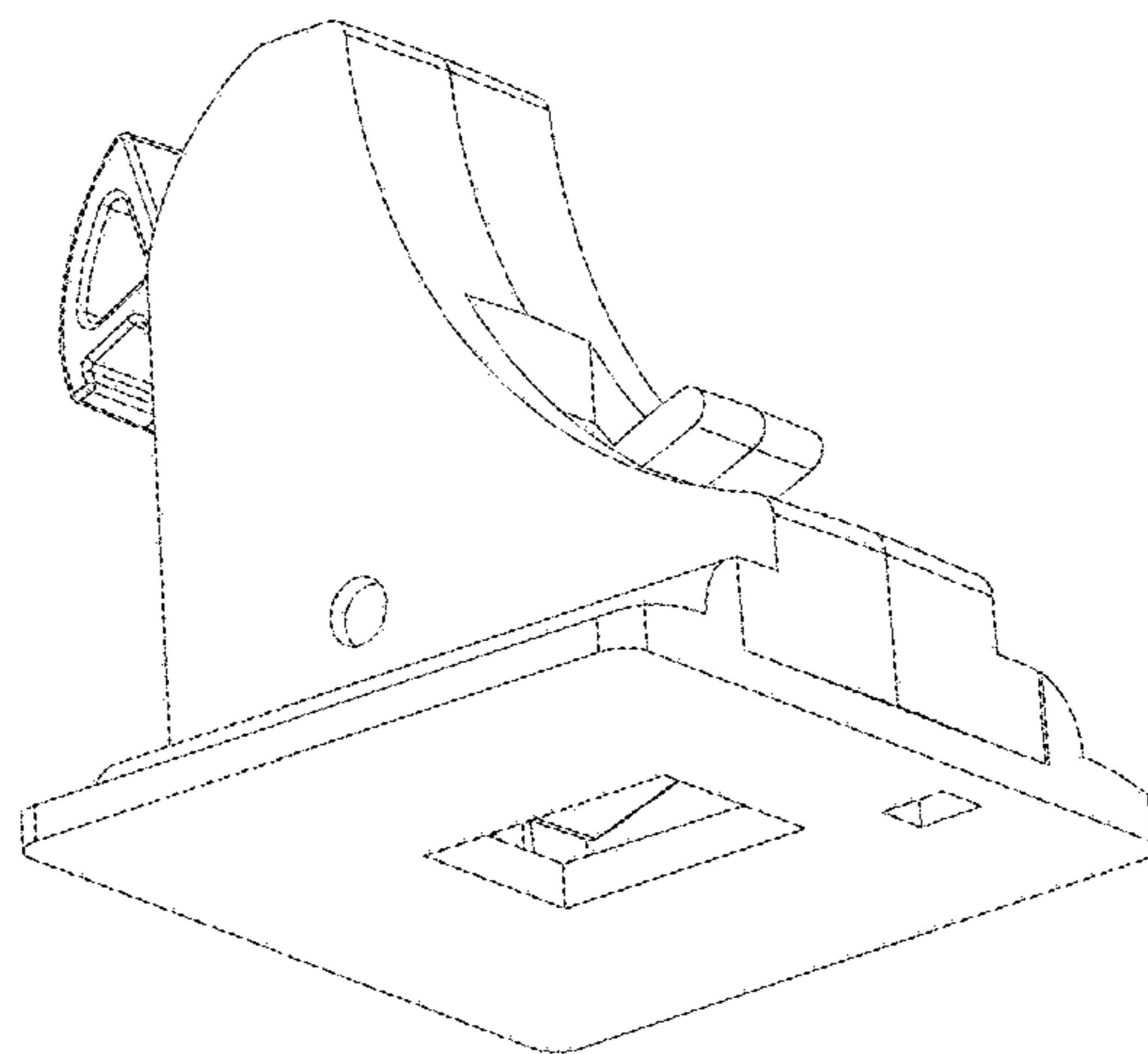
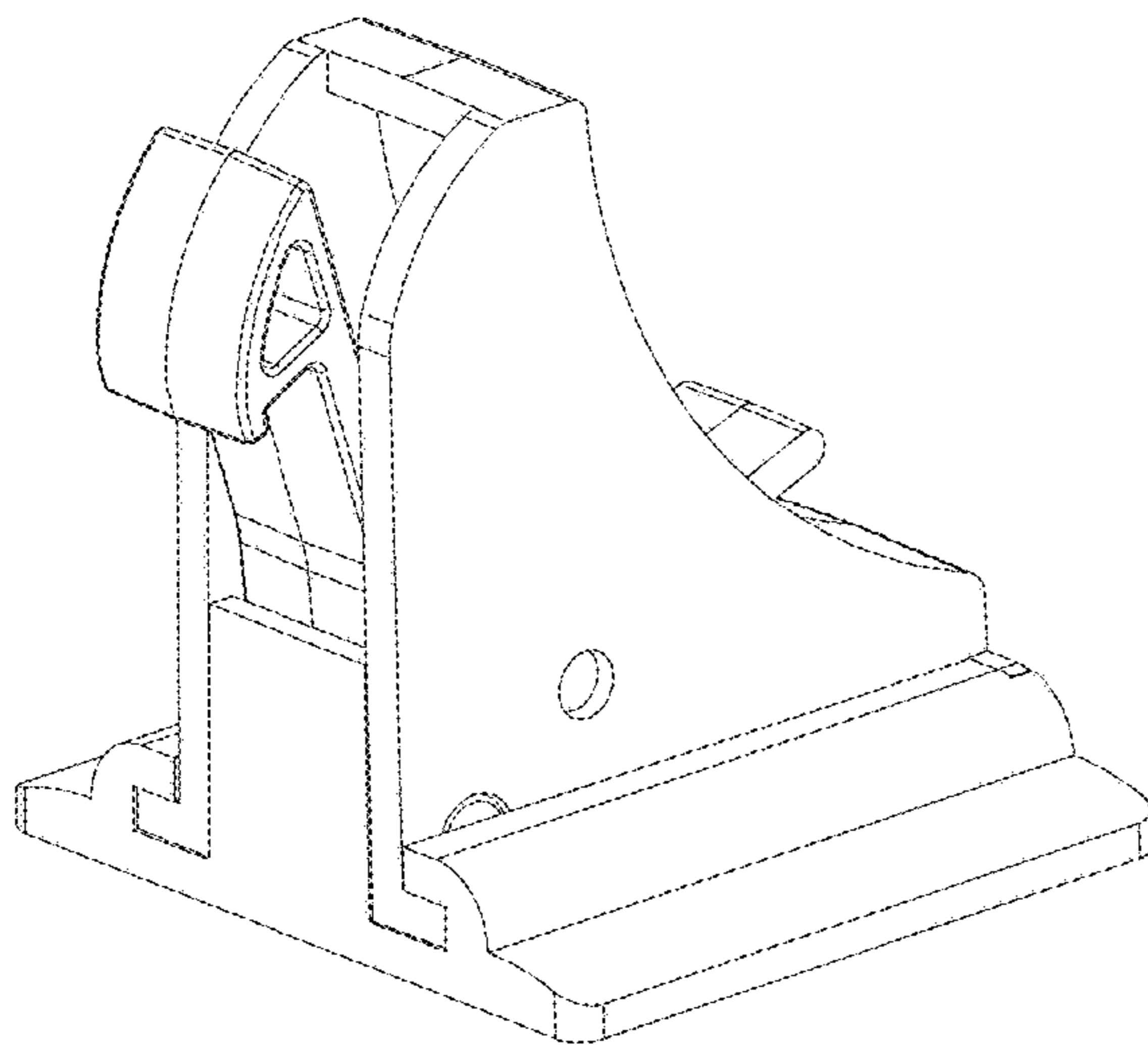
(57) **CLAIM**

The ornamental design for a magnetic drawer lock, as shown.

**DESCRIPTION**

FIG. 1 is a front elevational view of a magnetic drawer lock showing my new design;  
FIG. 2 is a rear elevational view thereof;  
FIG. 3 is a left side view thereof;  
FIG. 4 is a right side view thereof;  
FIG. 5 is a top plan view thereof;  
FIG. 6 is a bottom plan view thereof;  
FIG. 7 is a perspective view thereof;  
FIG. 8 is a second perspective view thereof;  
FIG. 9 is a third perspective view thereof; and,  
FIG. 10 is a fourth perspective view thereof.

**1 Claim, 5 Drawing Sheets**



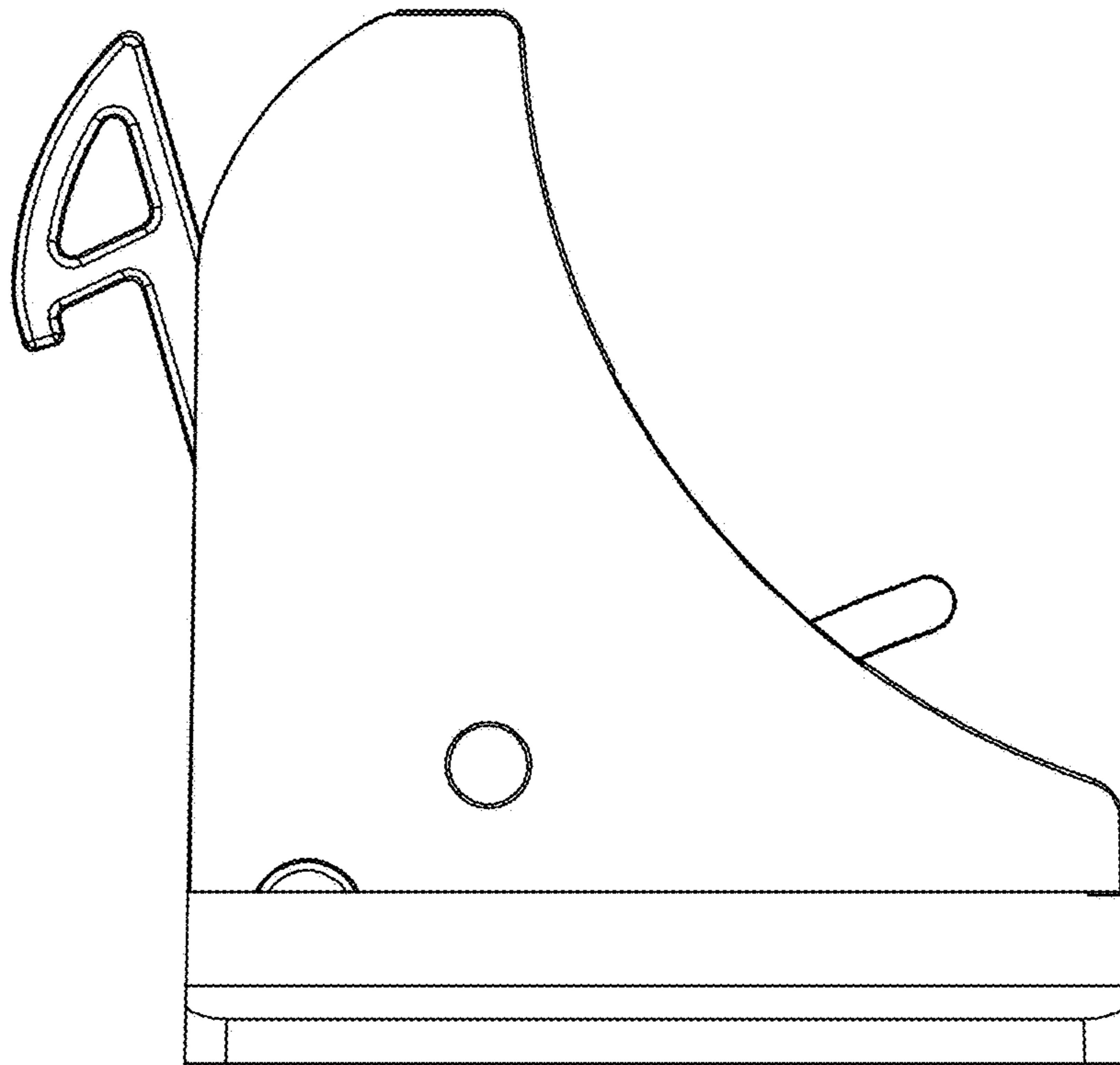


FIG. 1

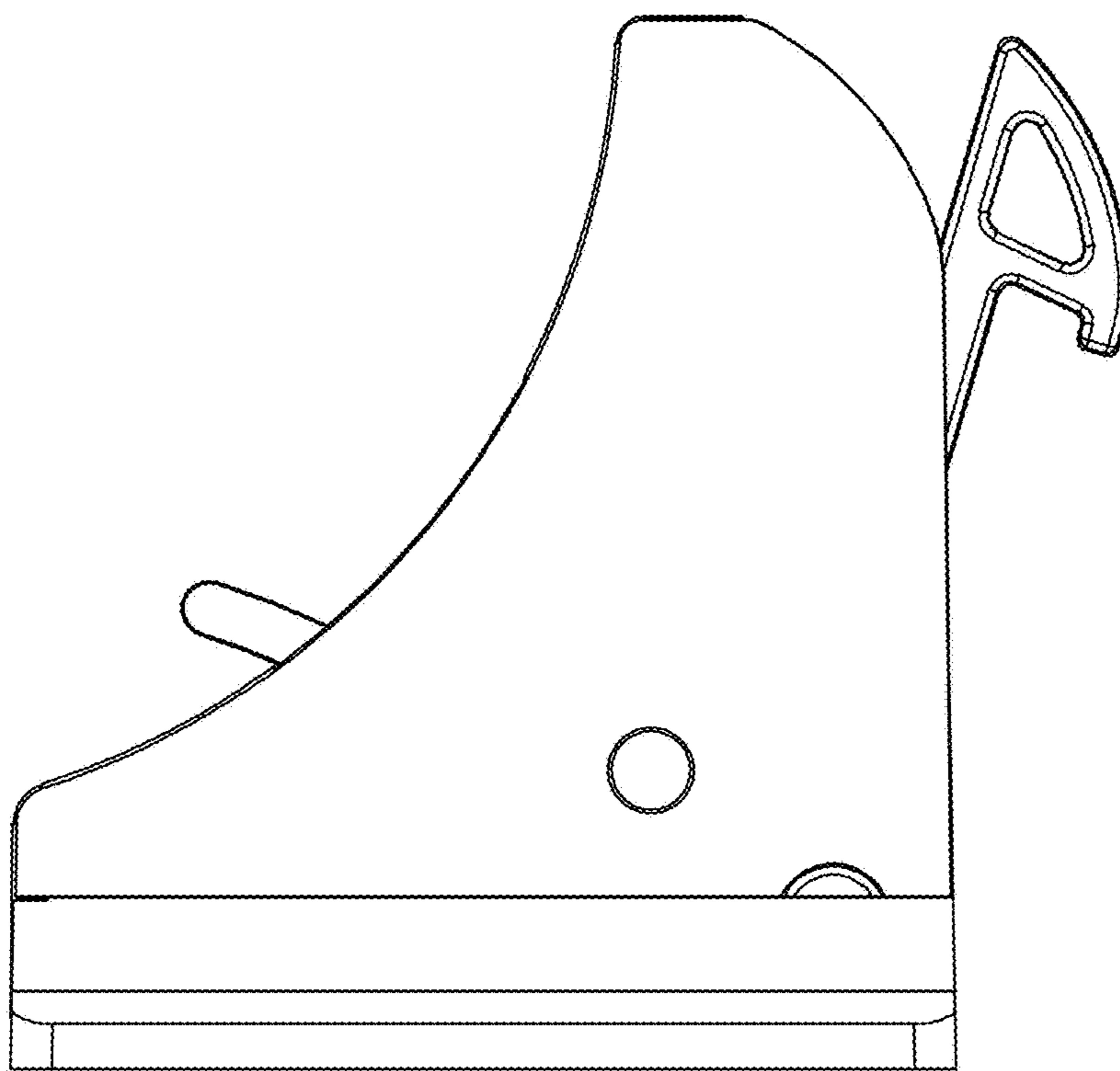


FIG. 2

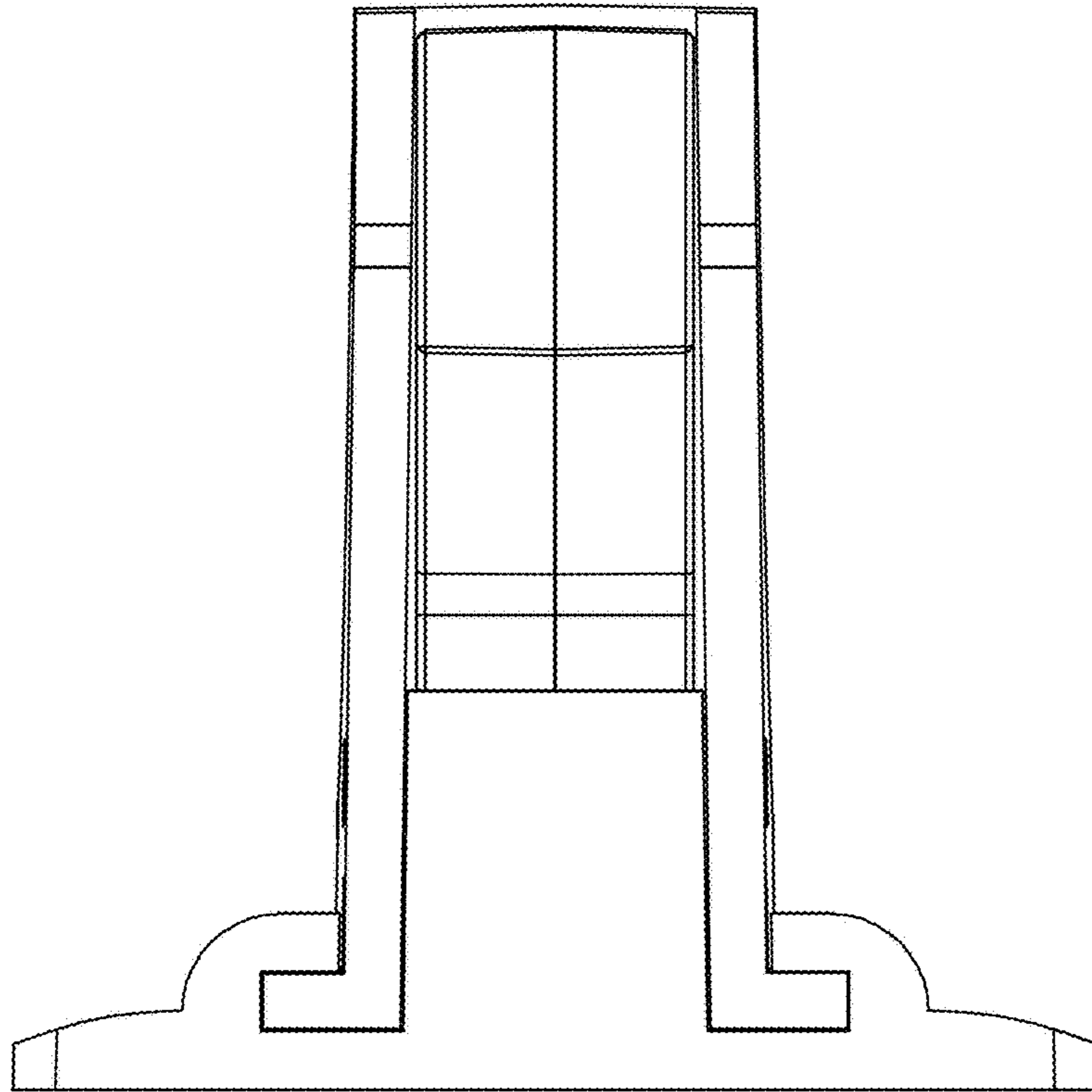


FIG. 3

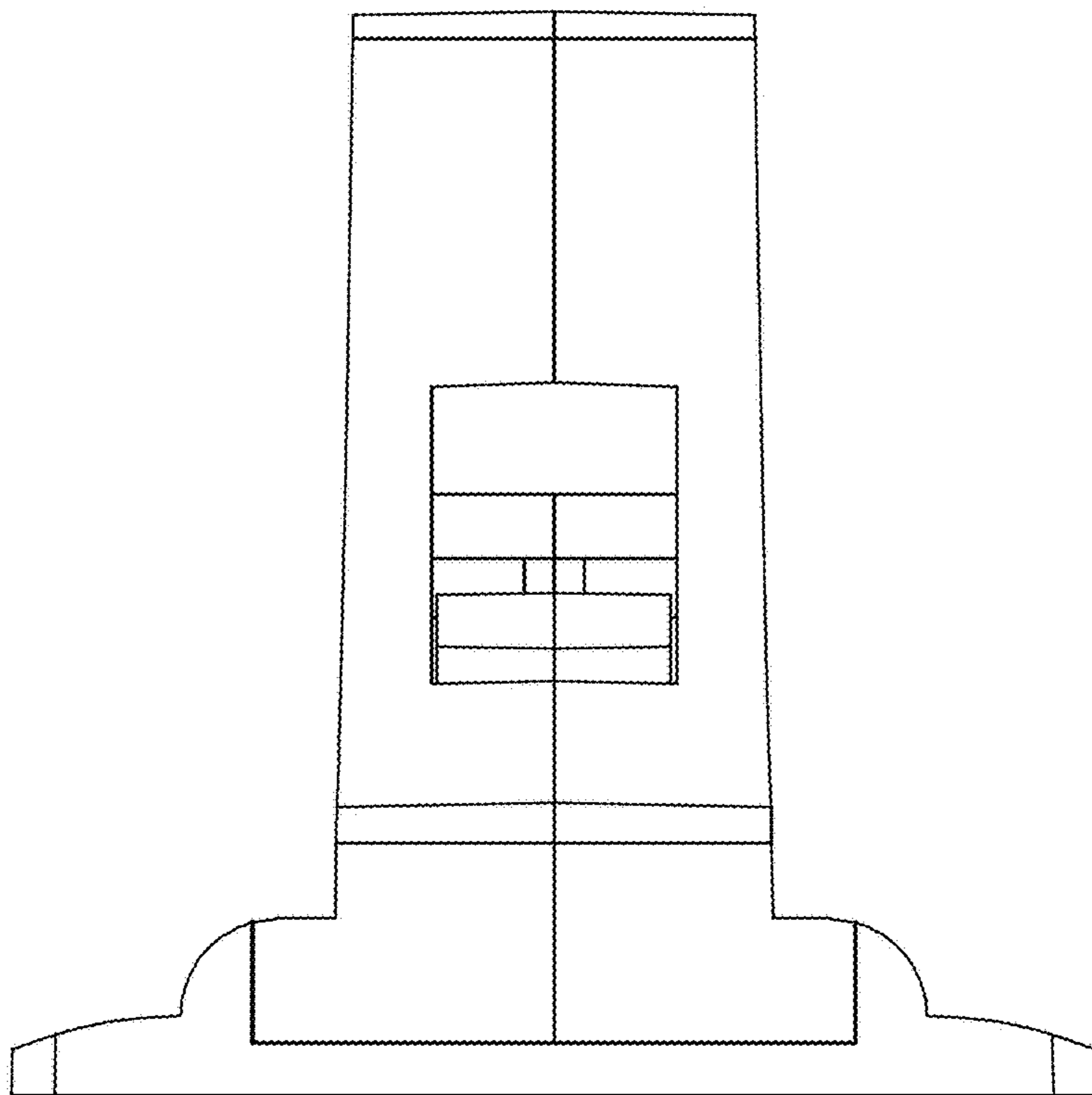


FIG. 4

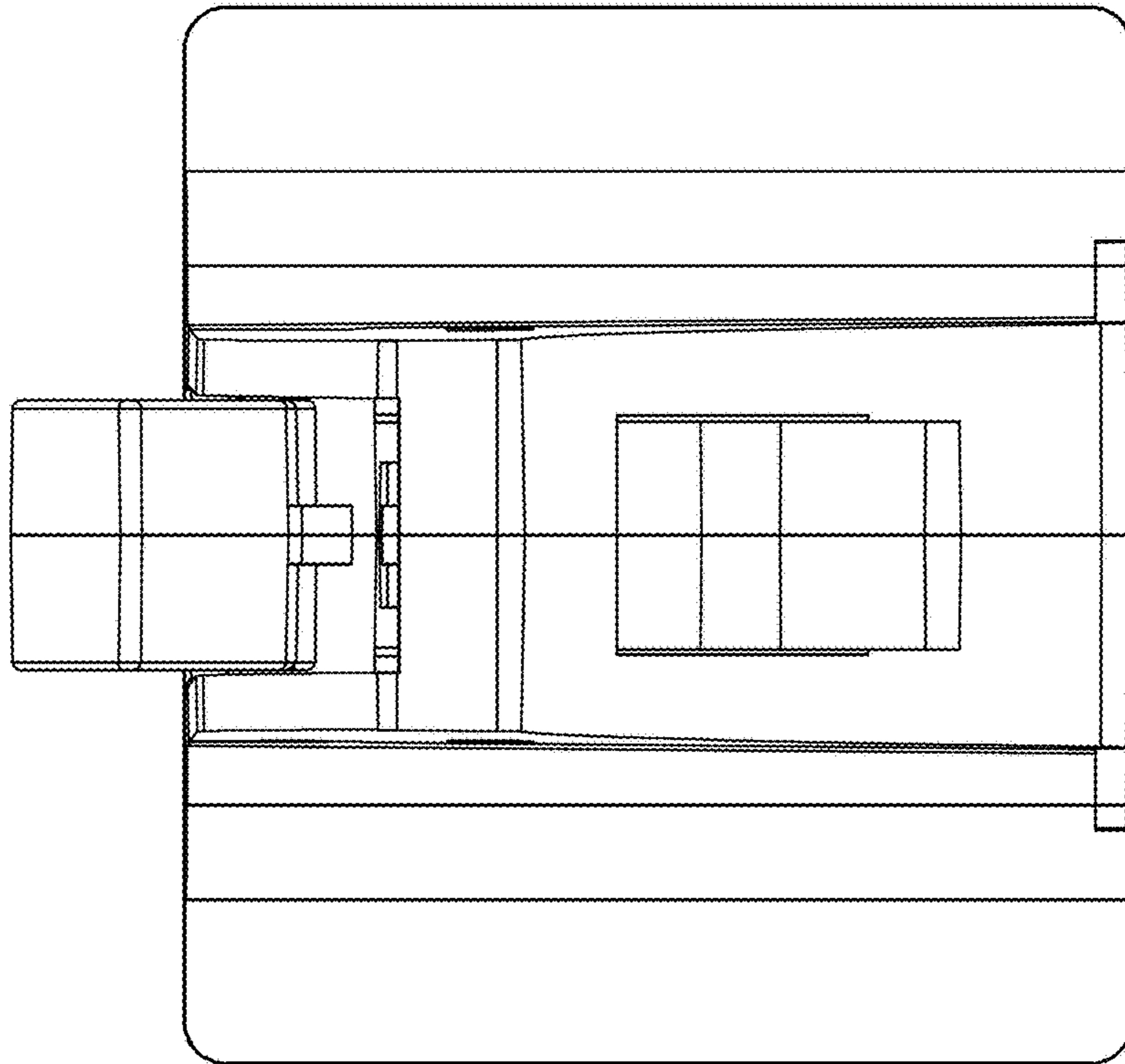


FIG. 5

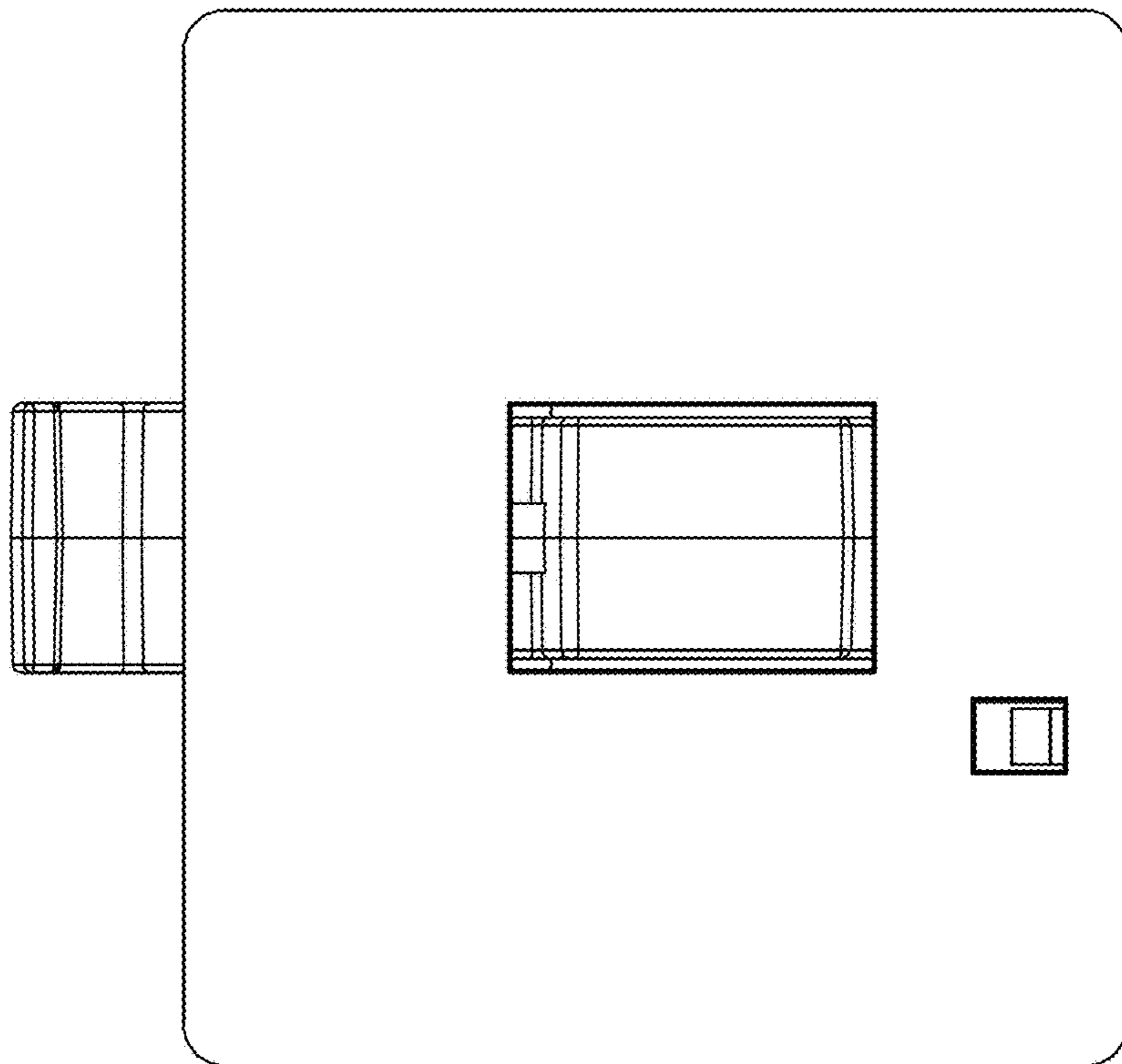


FIG. 6

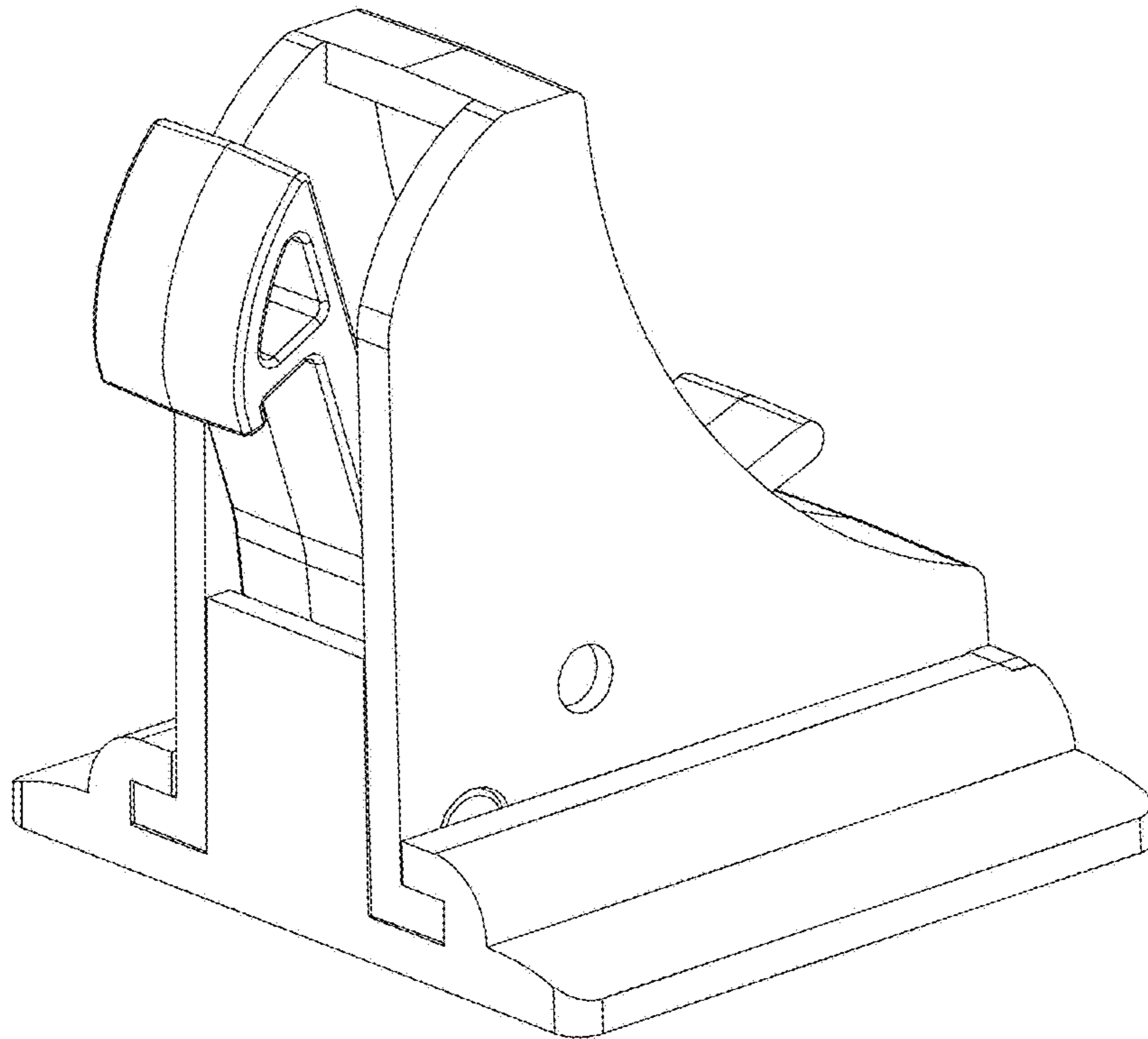


FIG. 7

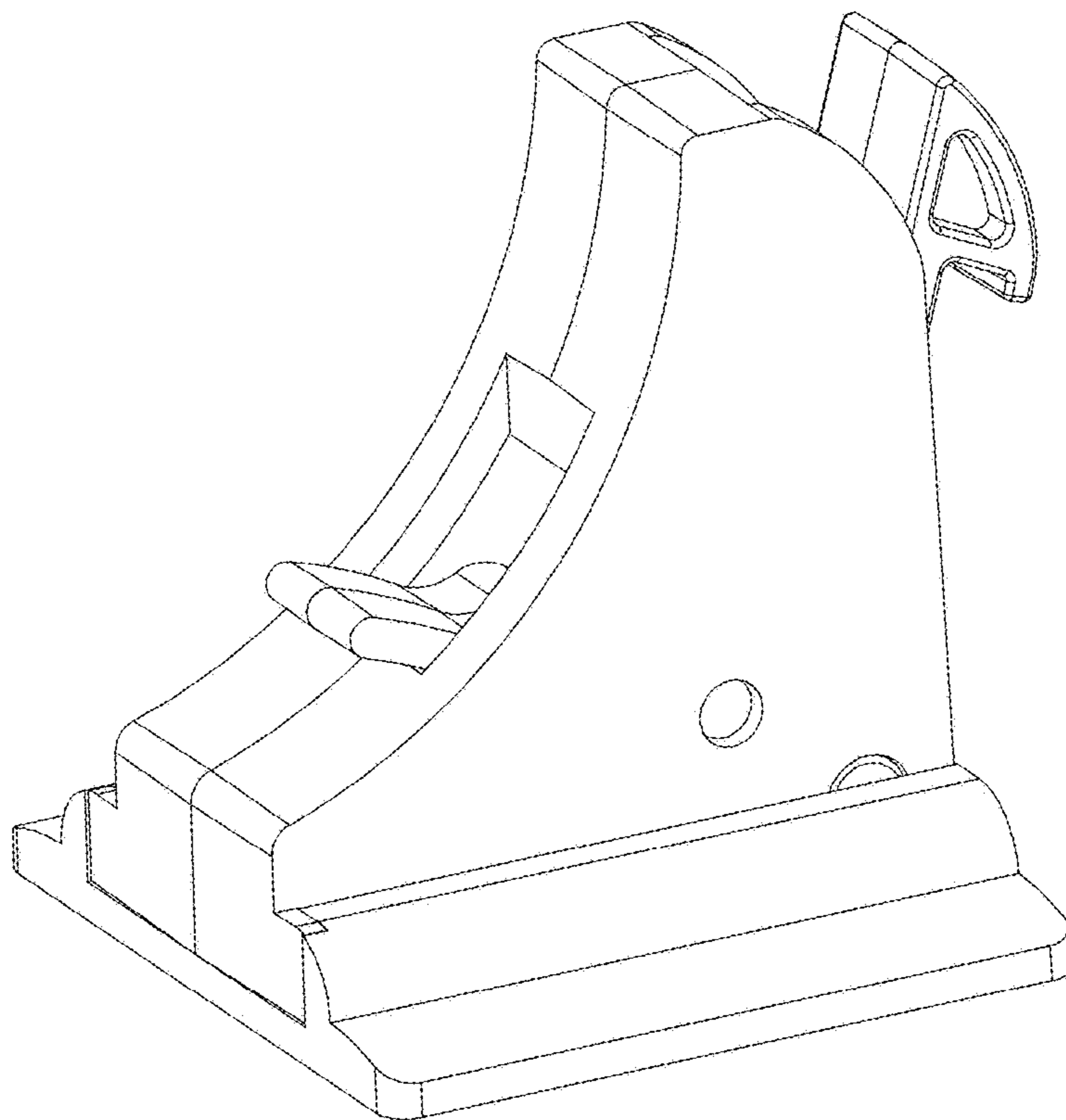


FIG. 8



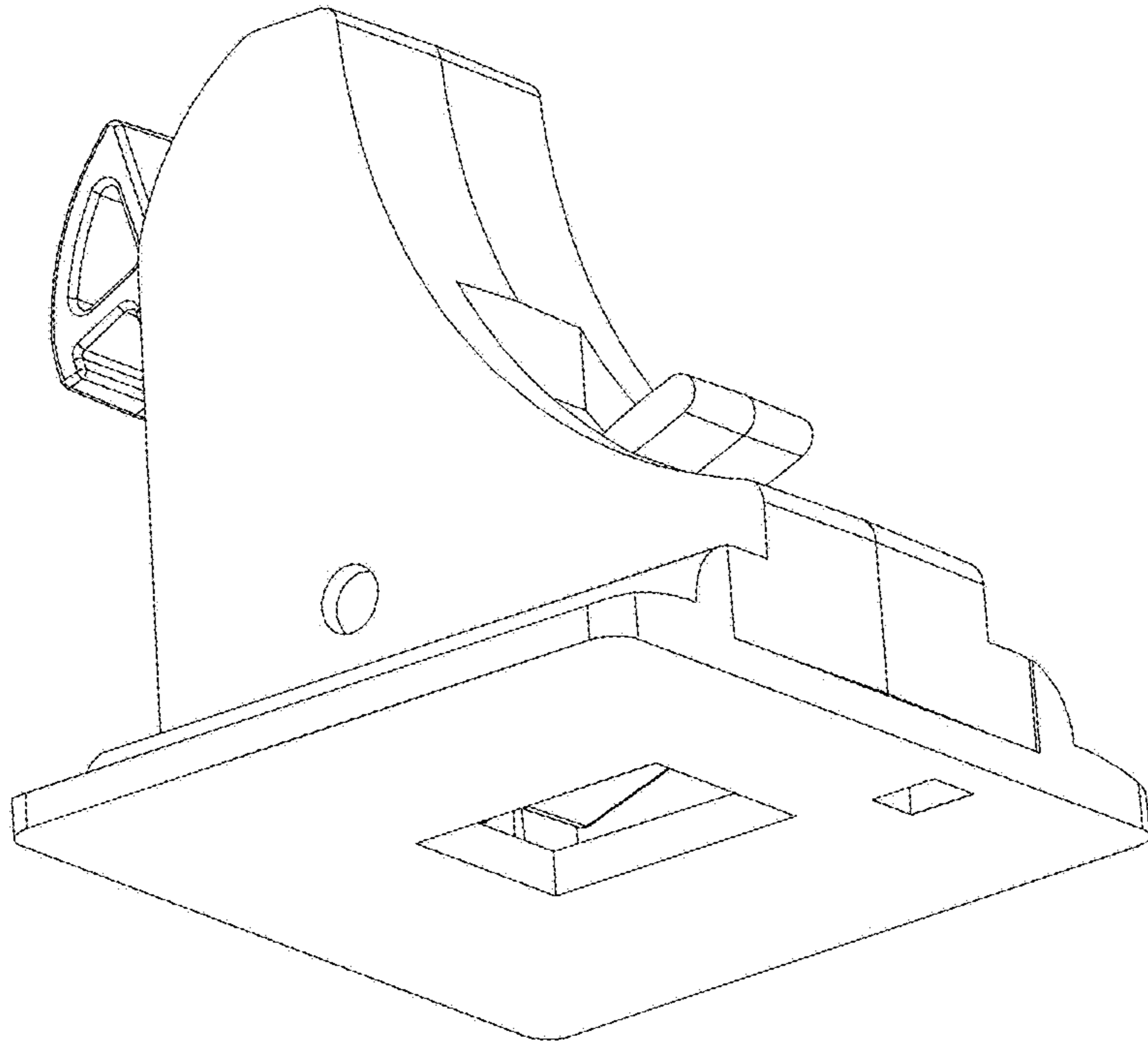


FIG. 9

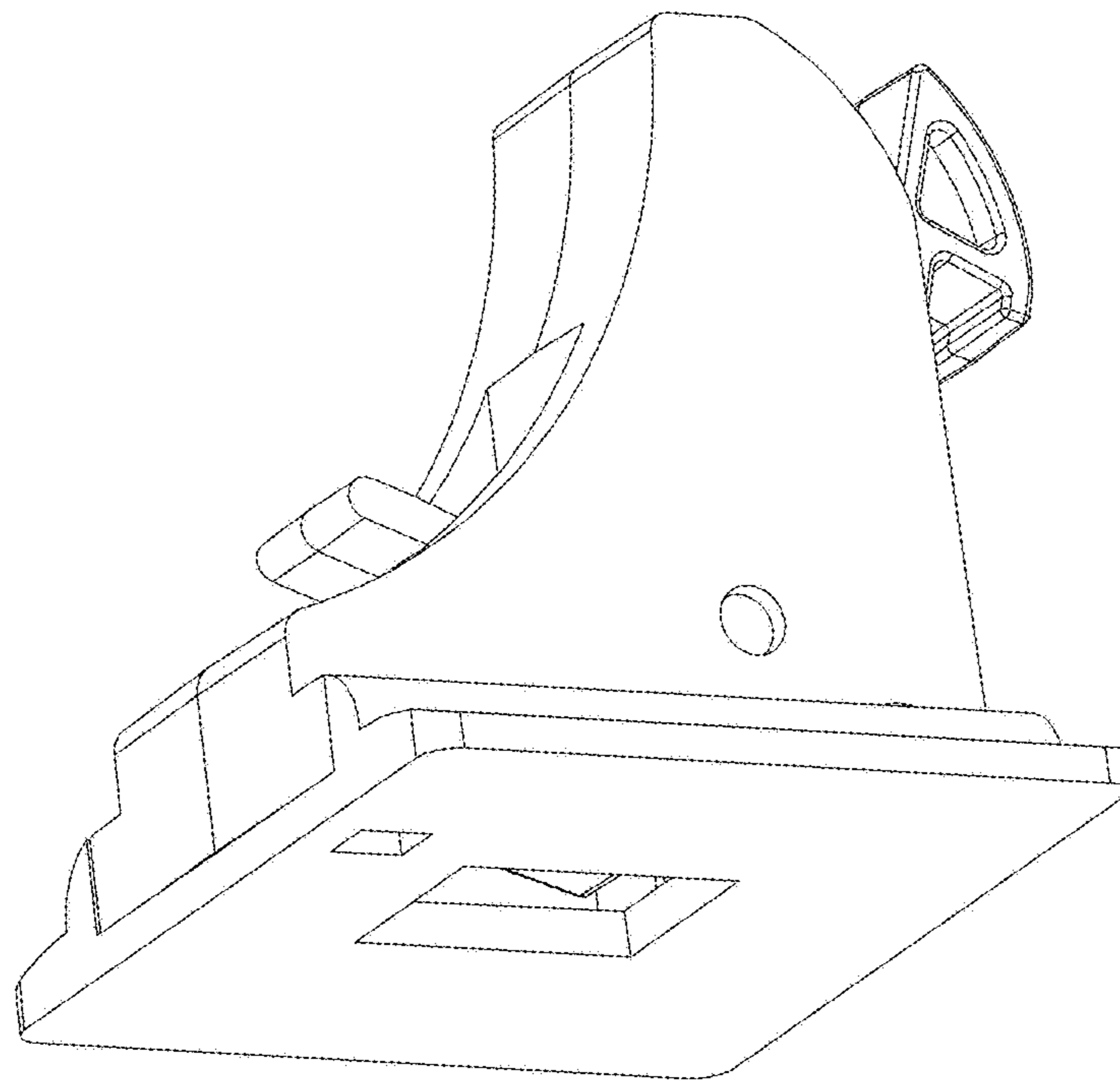


FIG. 10