



US00D805366S

(12) **United States Design Patent** (10) **Patent No.:** **US D805,366 S**
Gassner (45) **Date of Patent:** **** Dec. 19, 2017**

(54) **HANDLE CLAMP FOR AN EXOTHERMIC WELDING MOLD**

(71) Applicant: **Hubbell Incorporated**, Shelton, CT (US)

(72) Inventor: **Gabriel J Gassner**, Tulsa, OK (US)

(73) Assignee: **Hubbell Incorporated**, Shelton, CT (US)

(**) Term: **15 Years**

(21) Appl. No.: **29/588,131**

(22) Filed: **Dec. 19, 2016**

3,934,849 A	1/1976	Morain et al.	
3,941,145 A	3/1976	Morain et al.	
3,944,262 A	3/1976	Stiner et al.	
4,094,536 A	6/1978	Cole et al.	
4,099,670 A	7/1978	Cole et al.	
D249,889 S	10/1978	DeAmicis	
D265,055 S *	6/1982	Bone	D8/394
D277,165 S	1/1985	DeVroom	
4,889,180 A	12/1989	Sloan	
4,889,324 A	12/1989	Brosnan et al.	
4,905,725 A	3/1990	Sinkinson et al.	
4,976,366 A	12/1990	Russell	
D342,747 S	12/1993	Garcia	
5,299,609 A *	4/1994	Wedler	B23Q 9/0028 144/136.95
D349,232 S	8/1994	Lebow	
D351,775 S	10/1994	Wedler	
5,366,260 A	11/1994	Warluft	

(Continued)

Related U.S. Application Data

(62) Division of application No. 29/444,316, filed on Mar. 22, 2013, now Pat. No. Des. 777,547.

(51) **LOC (10) Cl.** **08-05**

(52) **U.S. Cl.**
USPC **D8/72**

(58) **Field of Classification Search**
USPC D8/71-74, 394-399, 354, 355, 356, 59;
248/62, 63, 72, 74.1, 689, 124.2; 81/487,
81/385, 386, 388-390; 269/3, 4, 6, 143,
269/165, 240, 243, 246-249, 254 R,
269/147-149; 29/256, 257, 276;
D15/140; D24/143; 408/103, 104-109;
D7/683, 685, 686; D6/684
CPC B25B 1/00; B25B 5/00
See application file for complete search history.

(56) **References Cited**

U.S. PATENT DOCUMENTS

D214,092 S *	5/1969	Bogaerts	D15/140
3,896,842 A	7/1975	Cole	
3,922,008 A	11/1975	Stiner et al.	

Primary Examiner — David G Muller

Assistant Examiner — Nathan M Johnston

(74) *Attorney, Agent, or Firm* — Wissing Miller LLP

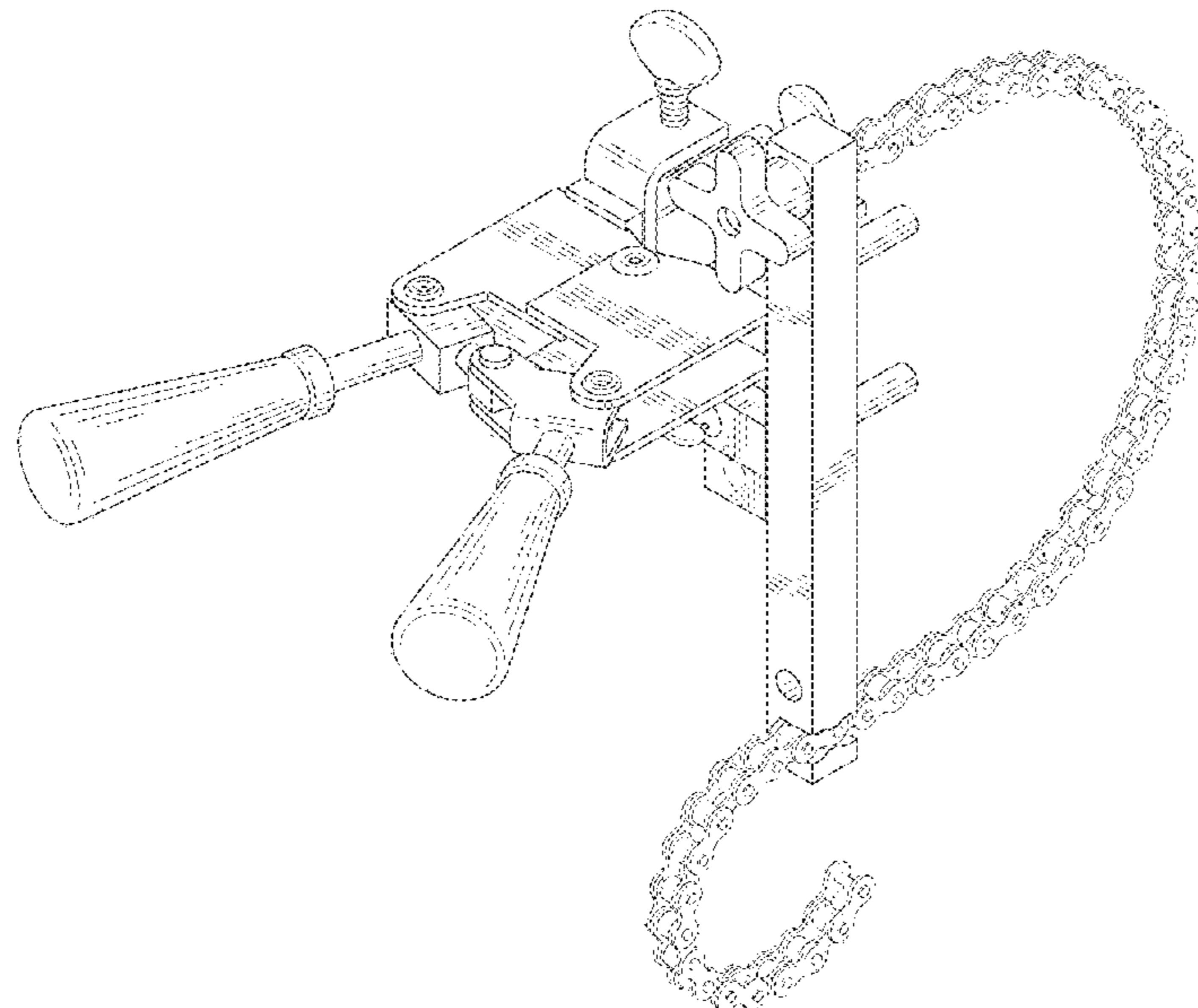
(57) **CLAIM**

The ornamental design for a handle clamp for an exothermic welding mold, as shown and described.

DESCRIPTION

FIG. 1 is a perspective view of a handle clamp for an exothermic welding mold constructed in accordance with the present invention;
FIG. 2 is a top plan view thereof;
FIG. 3 is a left side elevation view thereof;
FIG. 4 is a bottom plan view thereof;
FIG. 5 is a right side elevation view thereof;
FIG. 6 is a front elevation view thereof; and,
FIG. 7 is a rear elevation view thereof.
The broken lines within the claimed design and the spaces therein are for environmental purposes only and form no part of the claimed design.

1 Claim, 5 Drawing Sheets



(56)

References Cited

U.S. PATENT DOCUMENTS

5,431,068 A	7/1995	Alsch		D580,859 S	11/2008	Jones et al.	
5,524,940 A	6/1996	Warluft		D603,671 S	11/2009	Tippmann, Sr.	
D378,094 S	2/1997	Eberhard		7,946,466 B1	5/2011	Lofton	
5,692,785 A	12/1997	Warluft et al.		7,950,568 B2	5/2011	Stidham et al.	
5,791,698 A	8/1998	Warluft et al.		7,975,900 B2	7/2011	Lofton et al.	
5,853,272 A	12/1998	Warluft et al.		7,980,017 B2	7/2011	Harman, III	
5,975,587 A	11/1999	Wood et al.		7,997,166 B2 *	8/2011	Lauzon	E21B 19/161
D427,890 S *	7/2000	Griffin	D8/355				81/57.34
D442,454 S	5/2001	Kolpin		8,074,864 B2	12/2011	Lofton et al.	
6,285,008 B1	9/2001	Fleetwood et al.		D666,976 S	9/2012	Gassner	
6,286,542 B1	9/2001	Morain et al.		D702,100 S	4/2014	Larard	
6,486,402 B2	11/2002	Harger et al.		D775,917 S *	1/2017	Wu	D8/52
D481,402 S	10/2003	Jenkins et al.		D777,547 S *	1/2017	Gassner	D8/72
6,746,055 B1	6/2004	Wood et al.		D778,135 S *	2/2017	Blank	D8/72
6,776,386 B1	8/2004	Morrissey et al.		D783,377 S *	4/2017	Gargano	D8/52
6,994,244 B2	2/2006	Harger et al.		2005/0093412 A1	5/2005	Lykowski et al.	
D519,827 S *	5/2006	Malzacher	D34/33	2008/0216548 A1 *	9/2008	Steiner	B21D 39/048
7,240,717 B2	7/2007	Lofton					72/409.12
7,294,913 B2	11/2007	Fischer et al.		2010/0181710 A1 *	7/2010	Martin	E05C 19/14
							269/6
				2016/0243676 A1 *	8/2016	Grobbel	B25B 5/16

* cited by examiner

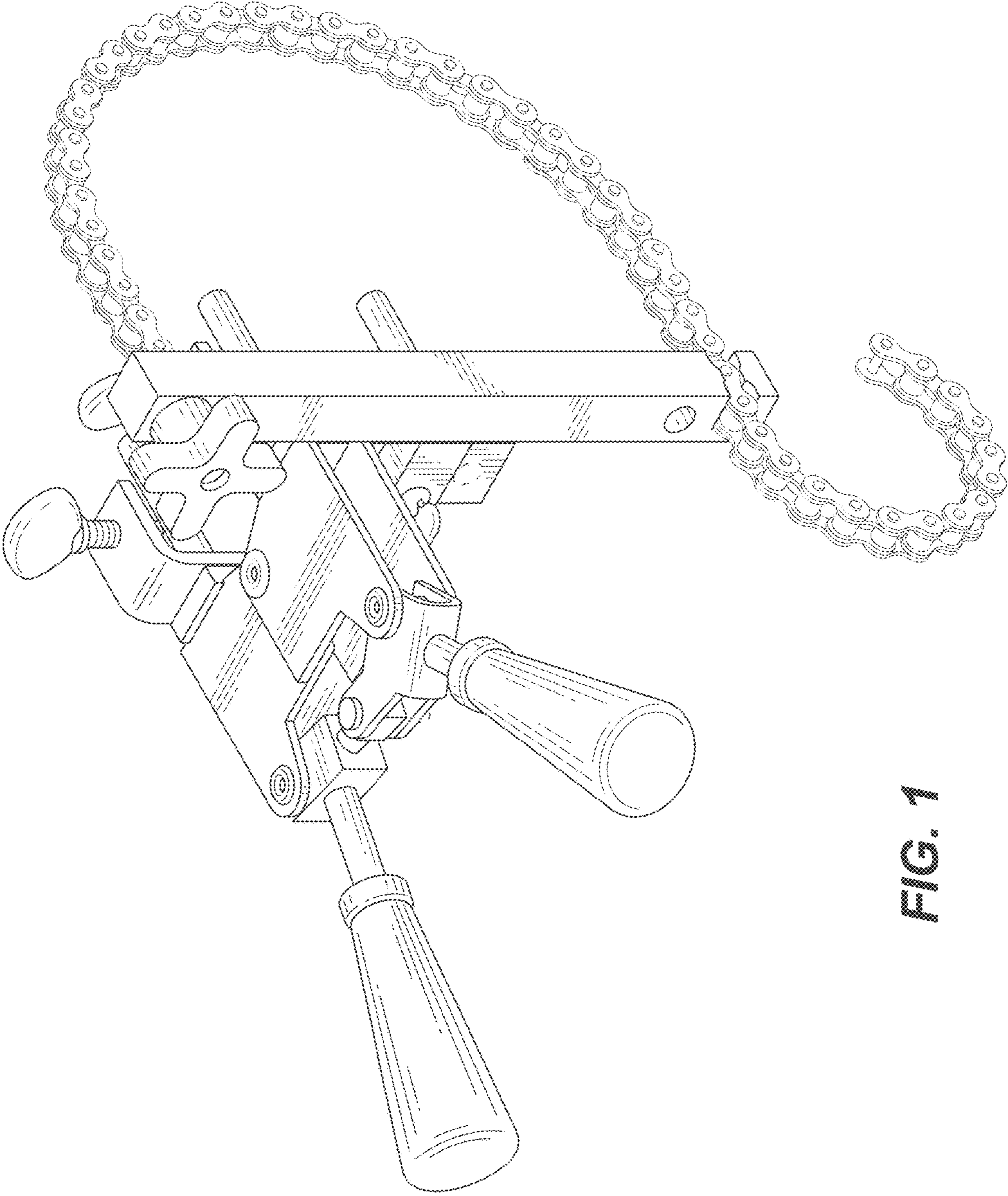


FIG. 1

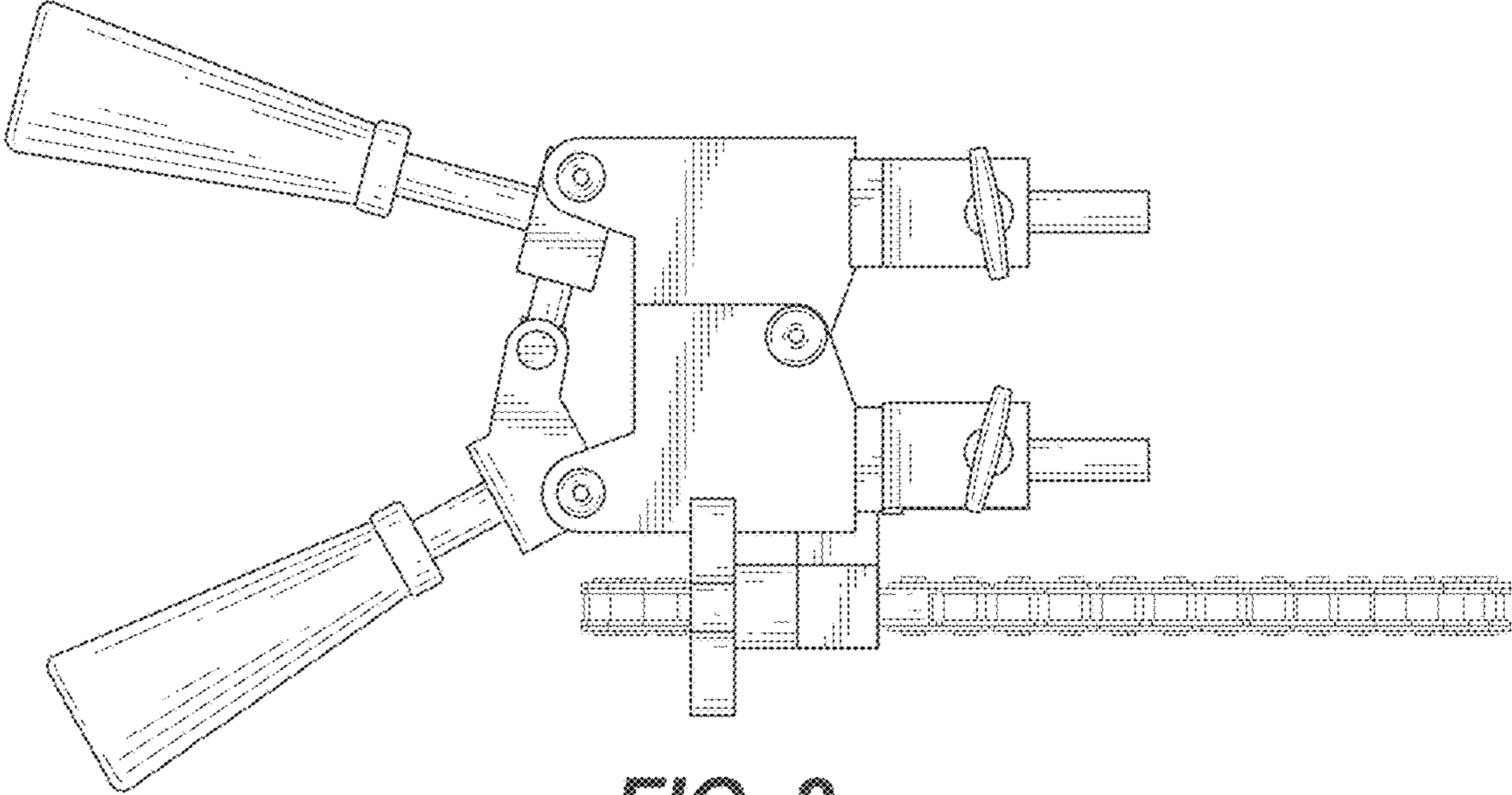


FIG. 2

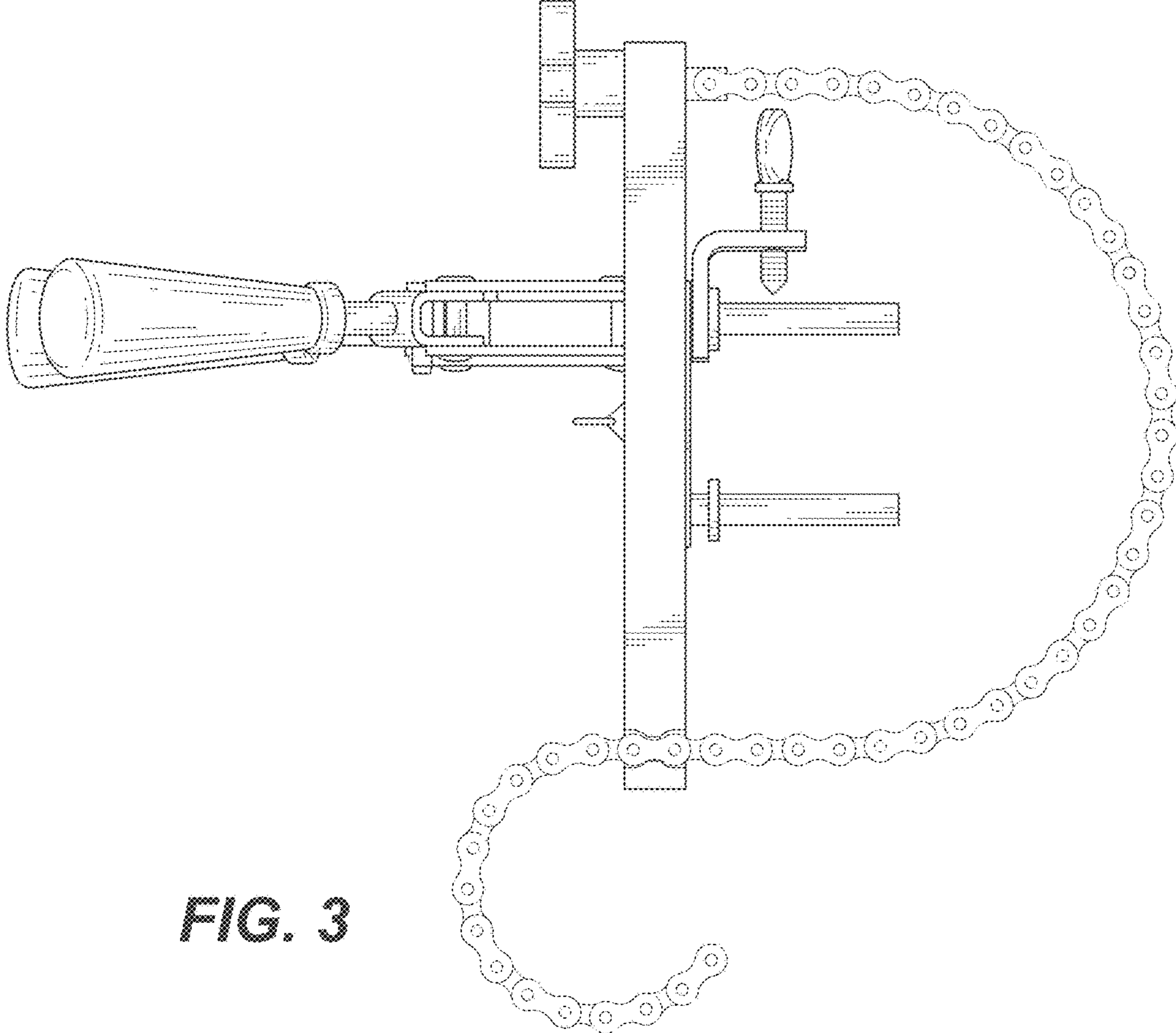


FIG. 3

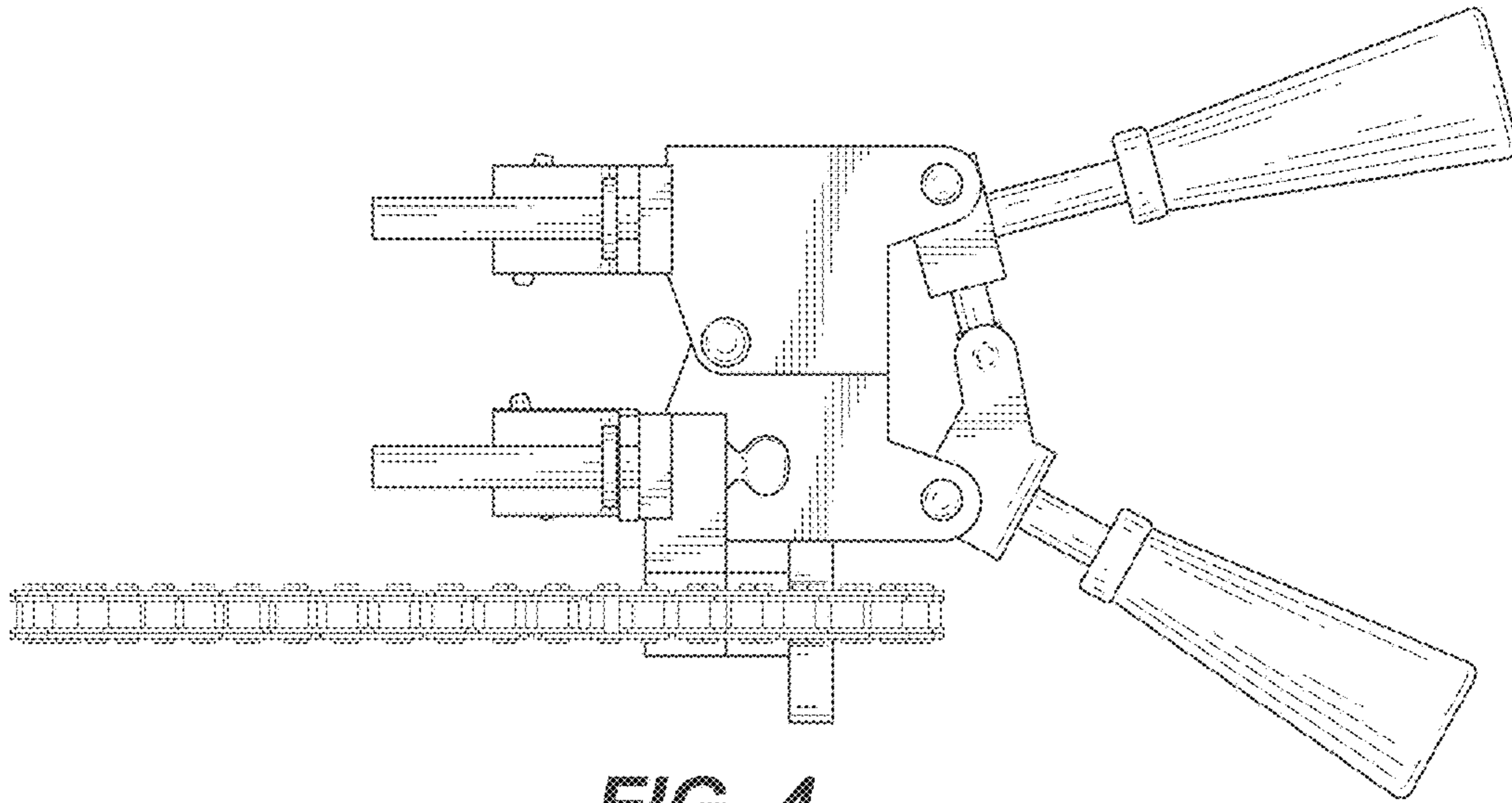


FIG. 4

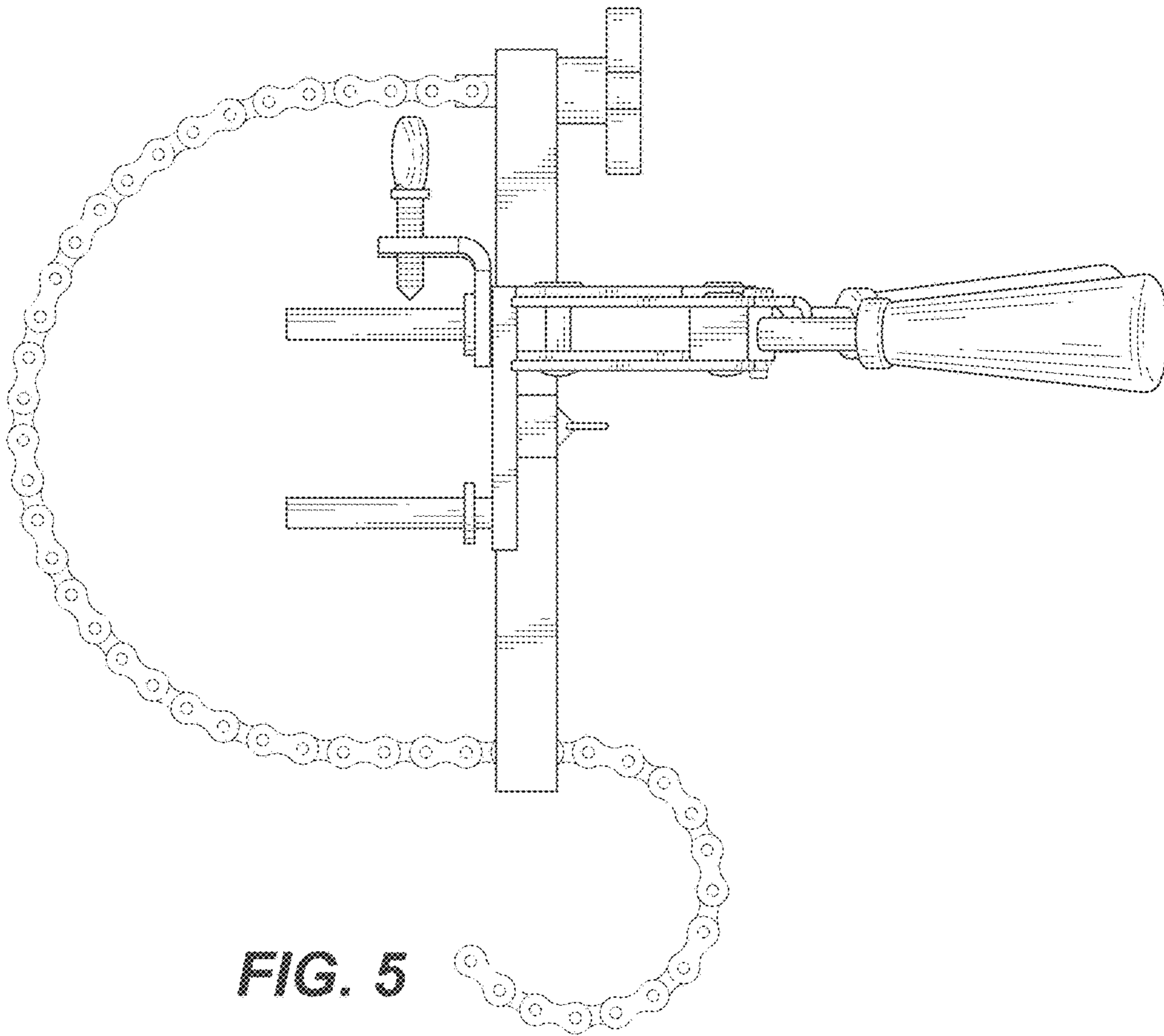


FIG. 5

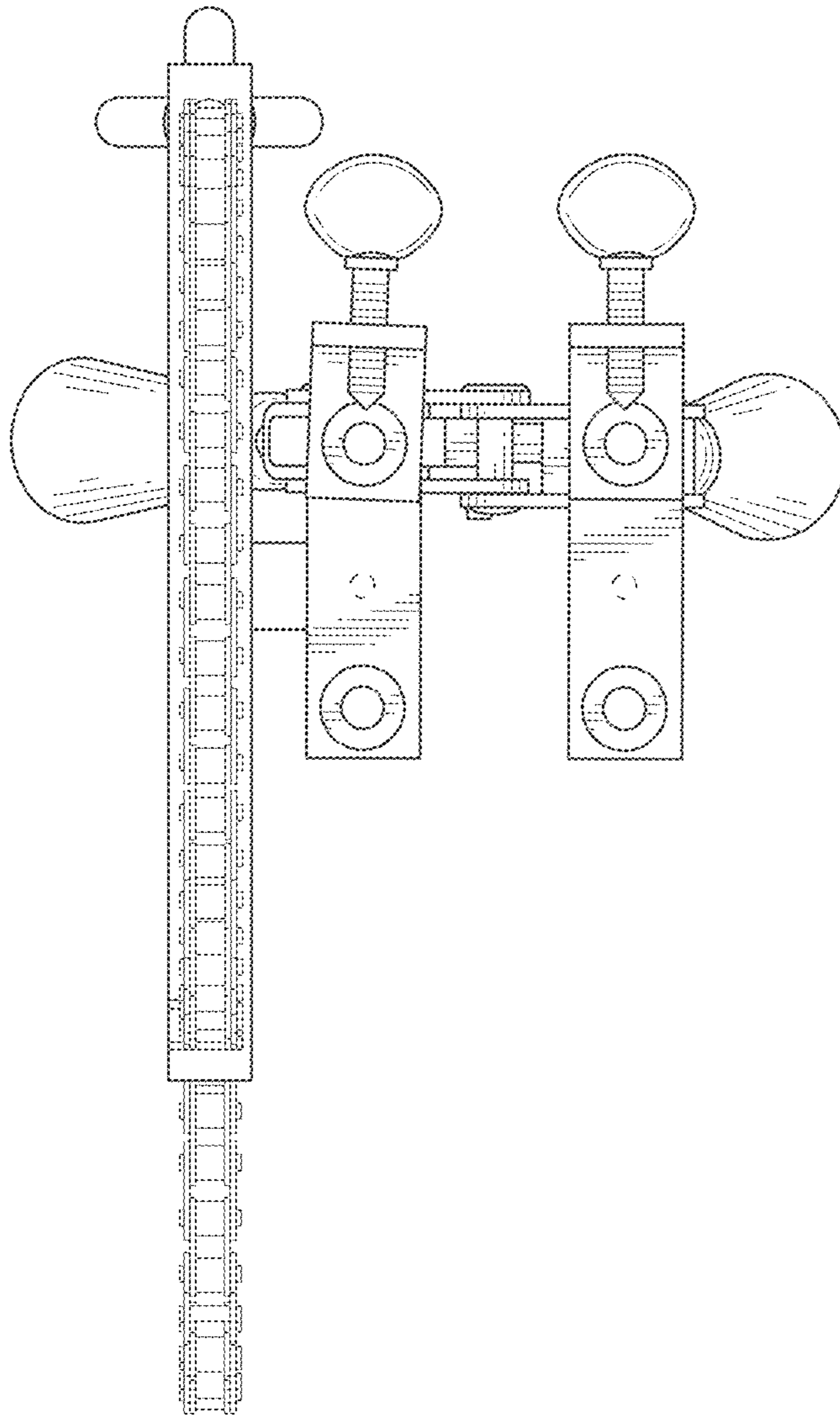


FIG. 6

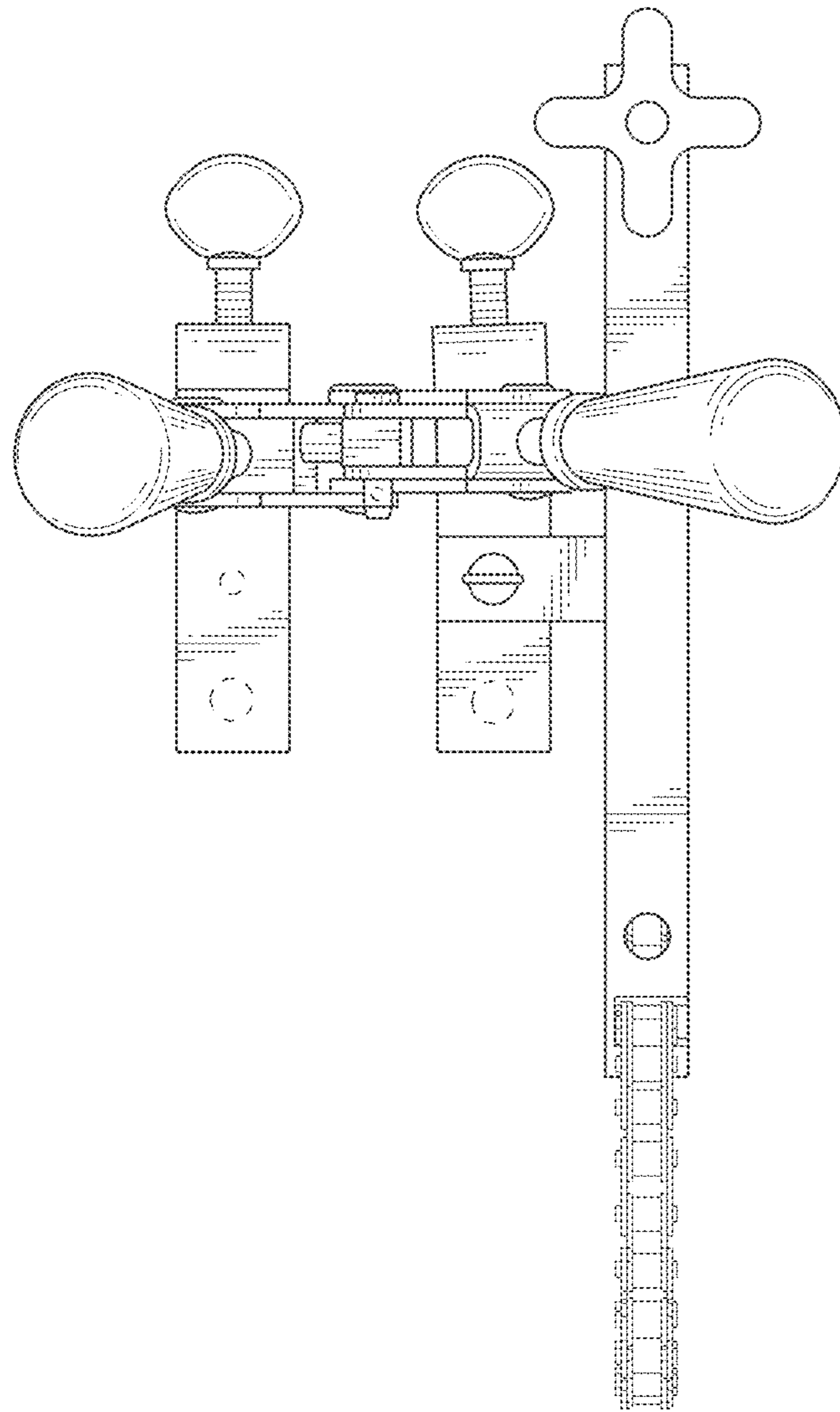


FIG. 7