



US00D805364S

(12) **United States Design Patent**
Gu

(10) **Patent No.:** **US D805,364 S**

(45) **Date of Patent:** **** *Dec. 19, 2017**

- (54) **RIGHT ANGLE DRILL**
- (71) Applicant: **BLACK & DECKER INC.**, Newark (DE)
- (72) Inventor: **Chage Gu**, Jiangsu (CN)
- (73) Assignee: **BLACK & DECKER INC.**, New Britain, CT (US)
- (*) Notice: This patent is subject to a terminal disclaimer.
- (**) Term: **15 Years**
- (21) Appl. No.: **29/543,759**
- (22) Filed: **Oct. 28, 2015**
- (51) **LOC (10) Cl.** **08-01**
- (52) **U.S. Cl.**
USPC **D8/69**
- (58) **Field of Classification Search**
USPC D8/14.1, 61-70; 81/429, 454-456, 469, 81/489; 173/104, 114, 168-171, 178, 173/201, 211, 213, 217; 408/20, 124, 408/125, 234; 388/809
CPC B25D 16/00; B25D 17/00; B25F 5/02
See application file for complete search history.

| | | | | |
|----------------|---------|-------------|-------|-----------|
| D301,967 S * | 7/1989 | Sakamoto | | D8/61 |
| D479,679 S * | 9/2003 | Wright | | D8/62 |
| 6,764,256 B2 * | 7/2004 | Miura | | B25F 5/02 |
| | | | | 16/430 |
| D591,130 S * | 4/2009 | Palermo | | D8/69 |
| D600,088 S * | 9/2009 | DiPasquale | | D8/69 |
| D606,377 S * | 12/2009 | Ho | | D8/69 |
| D615,838 S * | 5/2010 | Aglassinger | | D8/69 |
| D618,529 S * | 6/2010 | Stirm | | D8/69 |
| D618,530 S * | 6/2010 | Stirm | | D8/69 |
| D626,813 S * | 11/2010 | Stirm | | D8/69 |
| D687,280 S * | 8/2013 | Koalick | | D8/69 |

* cited by examiner

Primary Examiner — Darlington Ly

(74) *Attorney, Agent, or Firm* — Scott B. Markow

(57) **CLAIM**

The ornamental design for a right angle drill, as shown and described.

DESCRIPTION

FIG. 1 is a front perspective view of a right angle drill.
 FIG. 2 front view of the right angle drill of FIG. 1.
 FIG. 3 is a rear view of the right angle drill of FIG. 1.
 FIG. 4 is a left view of the right angle drill of FIG. 1.
 FIG. 5 is a right view of the right angle drill of FIG. 1.
 FIG. 6 is a top view of the right angle drill of FIG. 1.
 FIG. 7 is a bottom view of the right angle drill of FIG. 1; and,
 FIG. 8 is a rear perspective view of the right angle drill of FIG. 1.

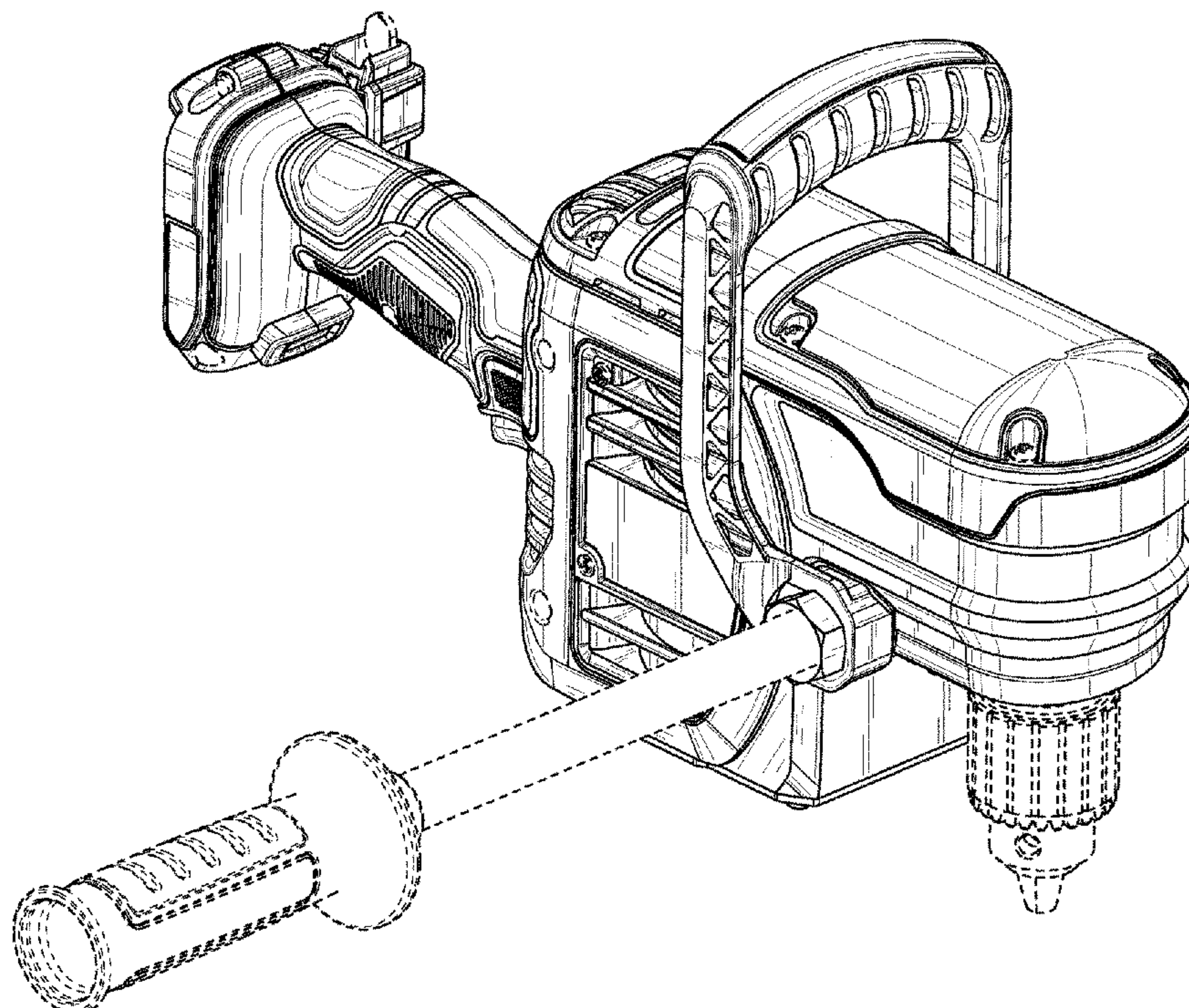
The broken lines illustrate portions of the right angle drill that forms no part of the claimed design.

1 Claim, 8 Drawing Sheets

(56) **References Cited**

U.S. PATENT DOCUMENTS

| | | | | |
|--------------|---------|----------------|-------|-------|
| D171,221 S * | 12/1953 | Nystrom | | D8/67 |
| D197,142 S * | 12/1963 | Godfrey et al. | | D8/67 |



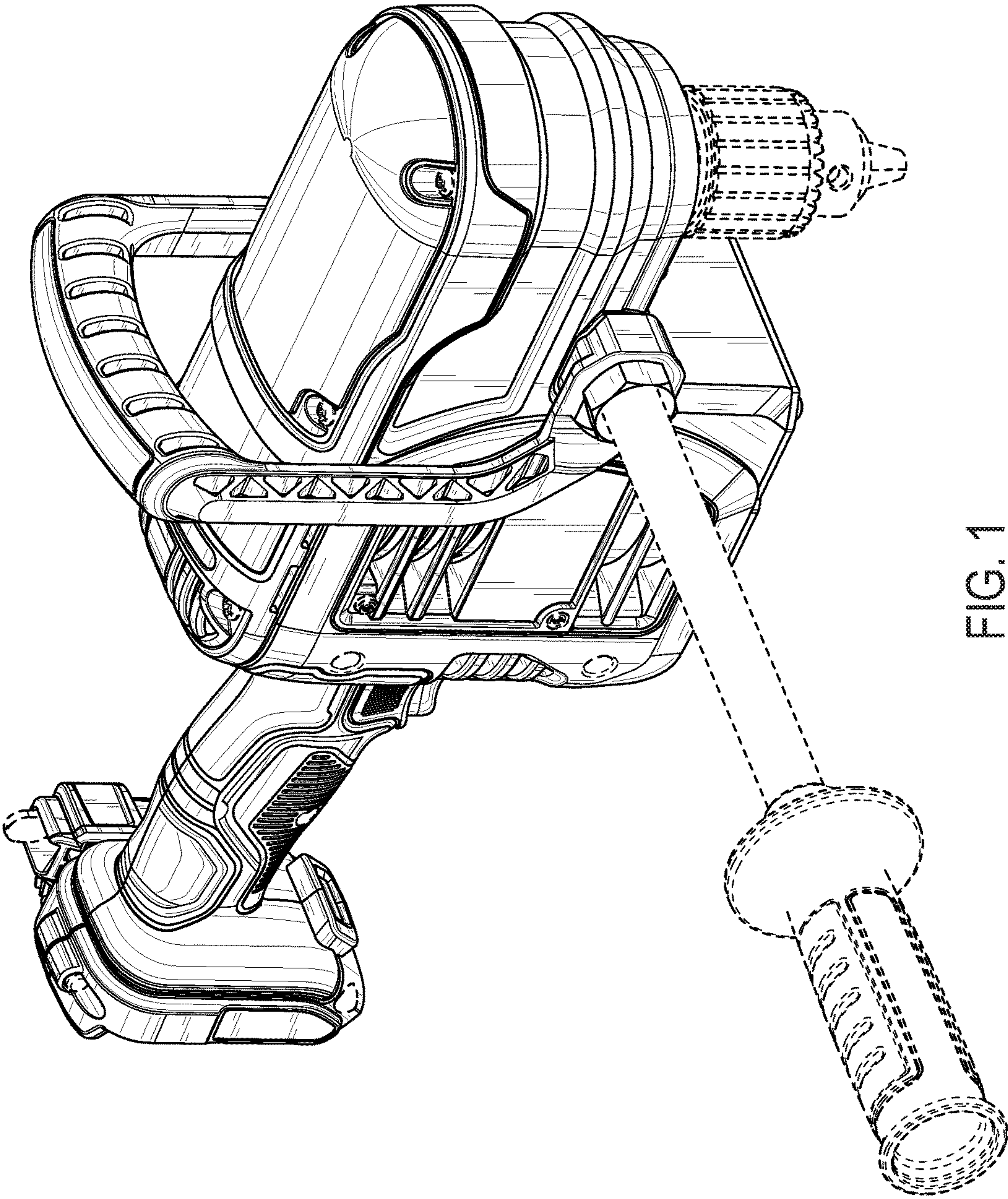


FIG. 1

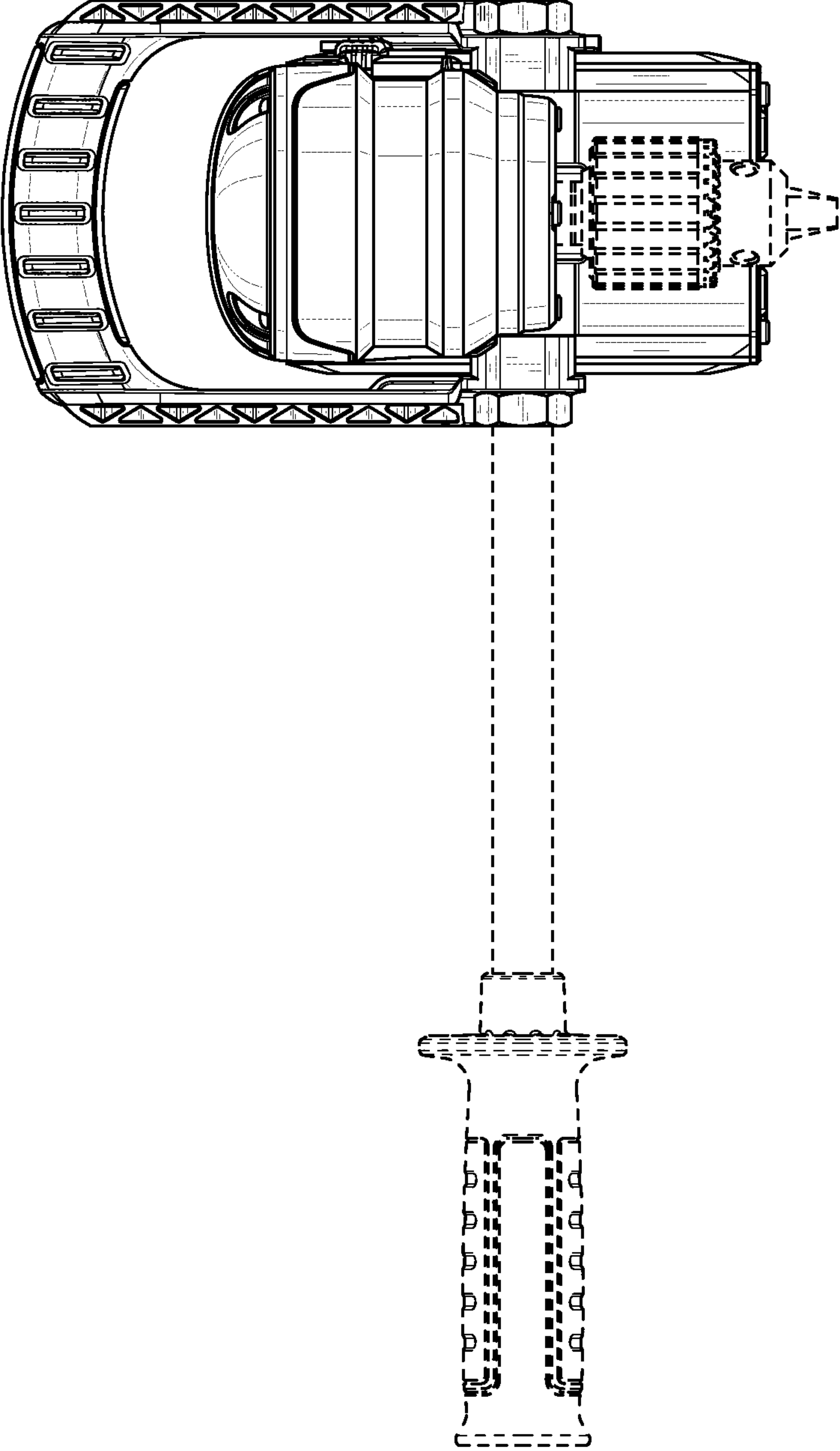


FIG. 2

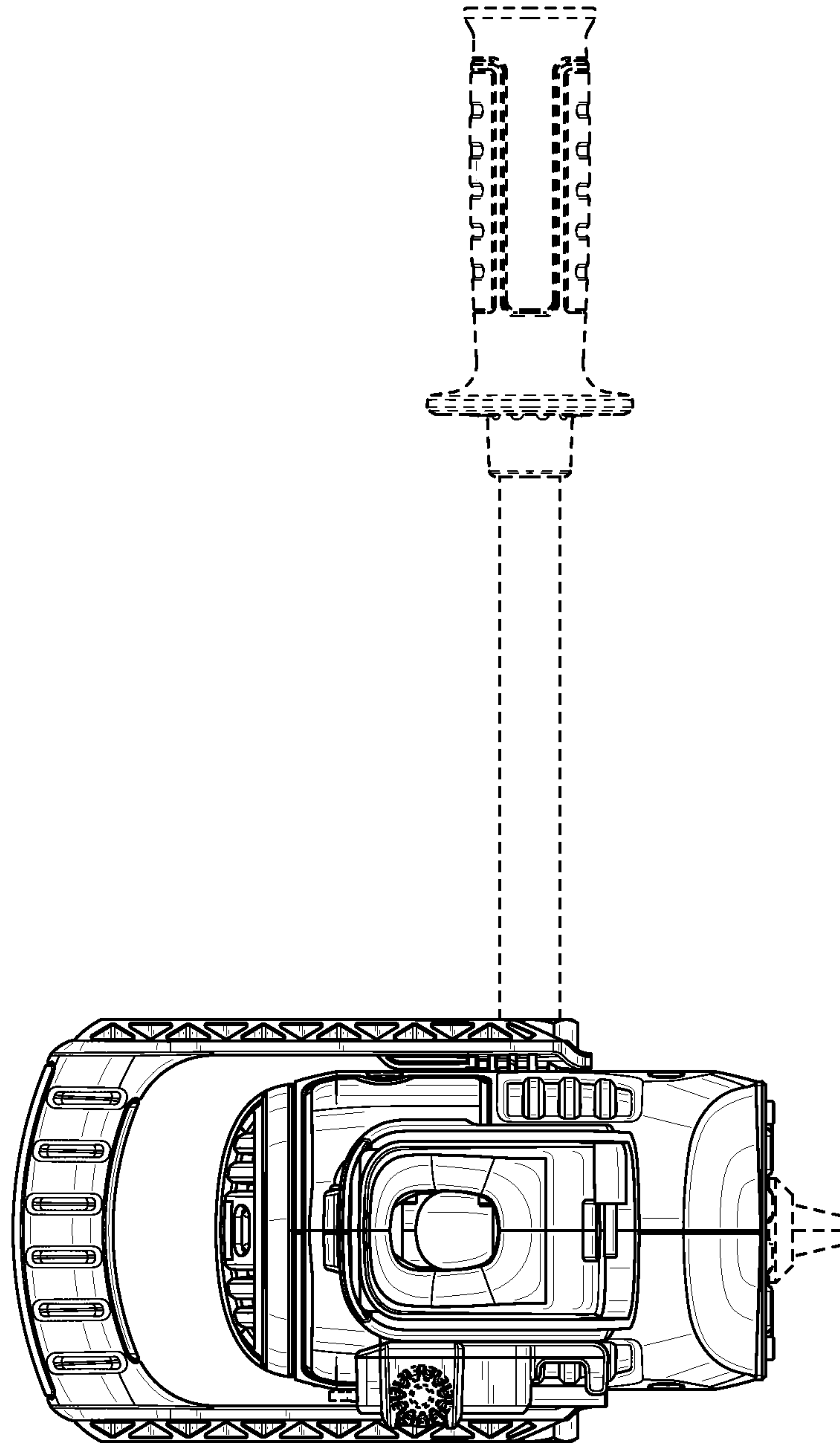


FIG. 3

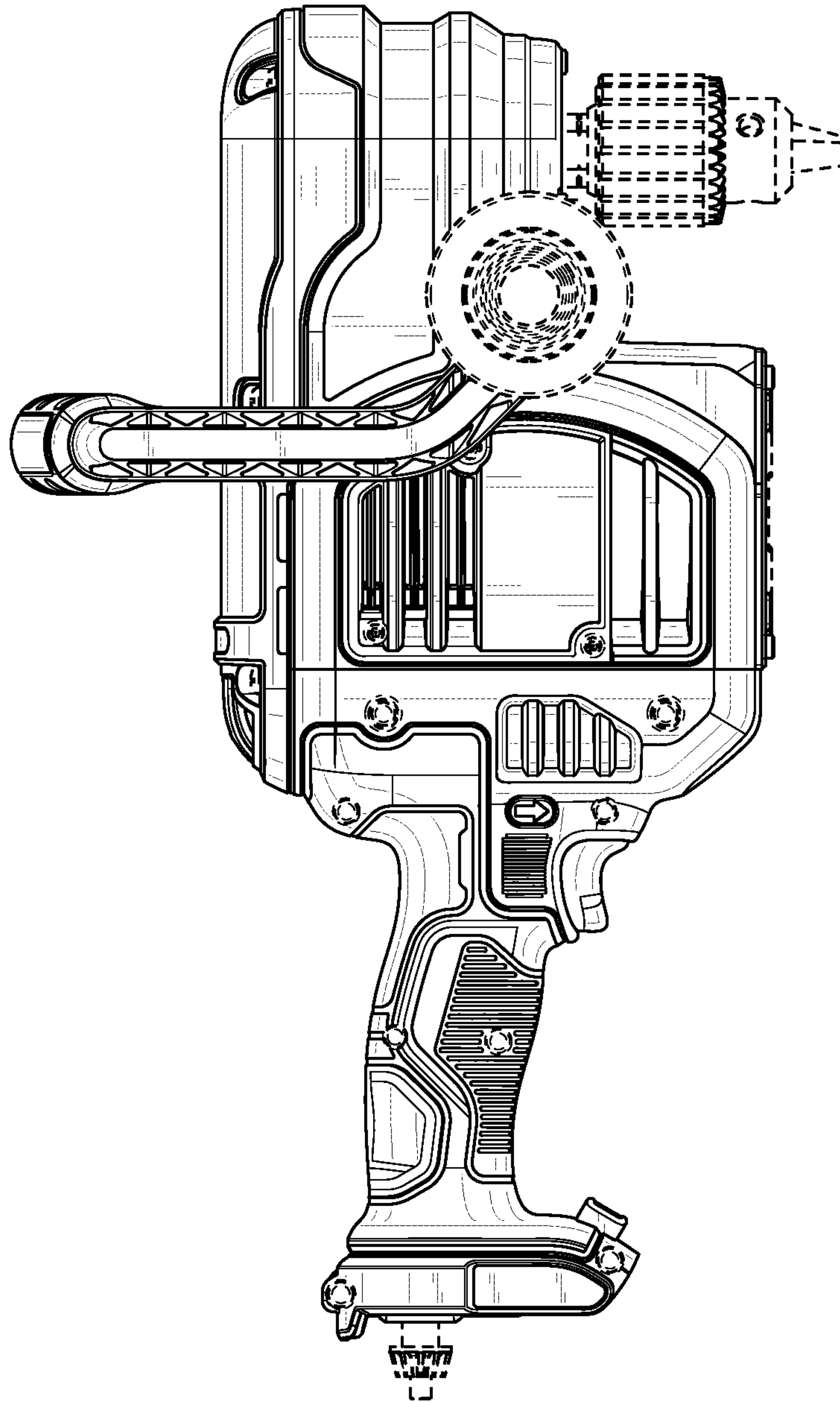


FIG. 4

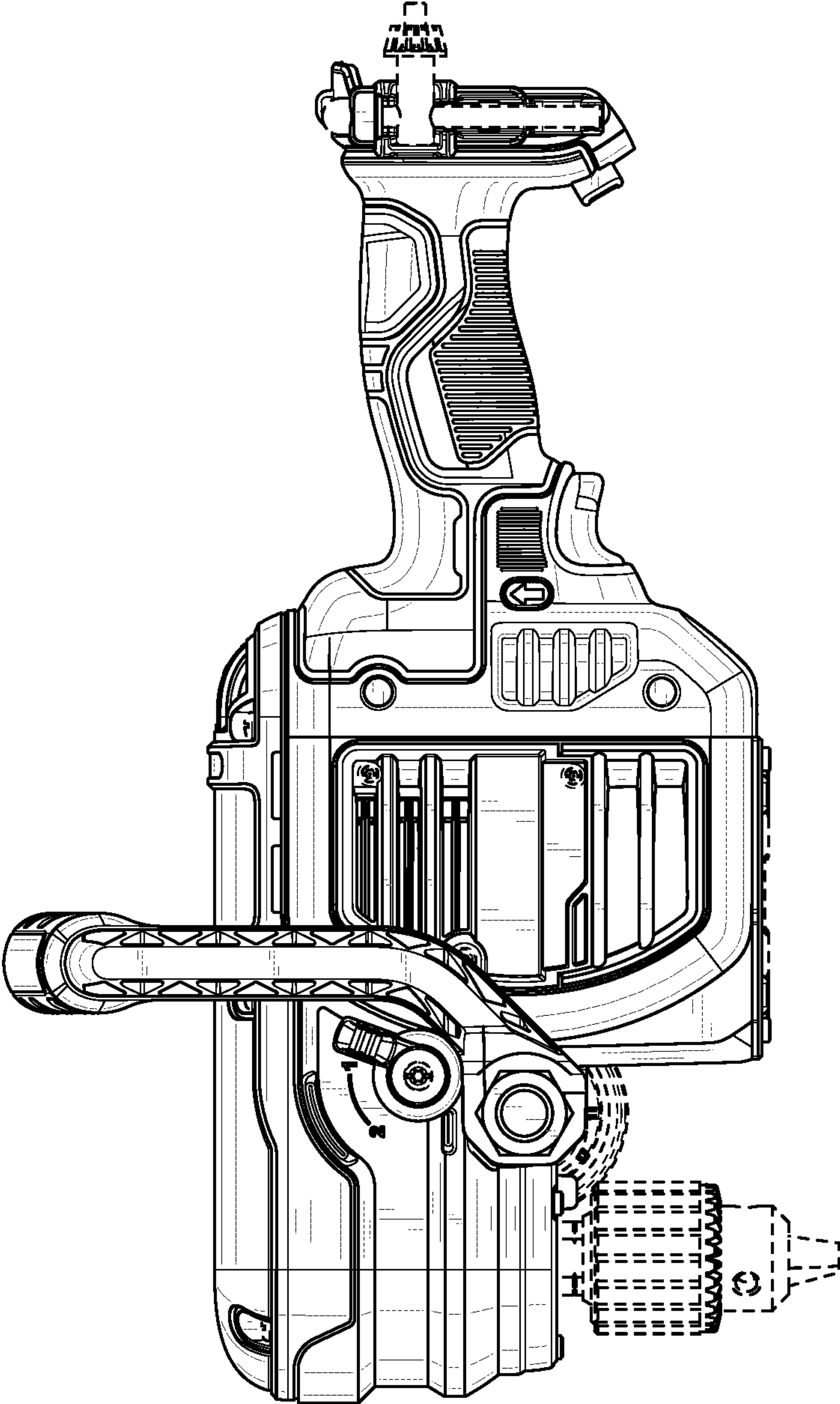


FIG. 5

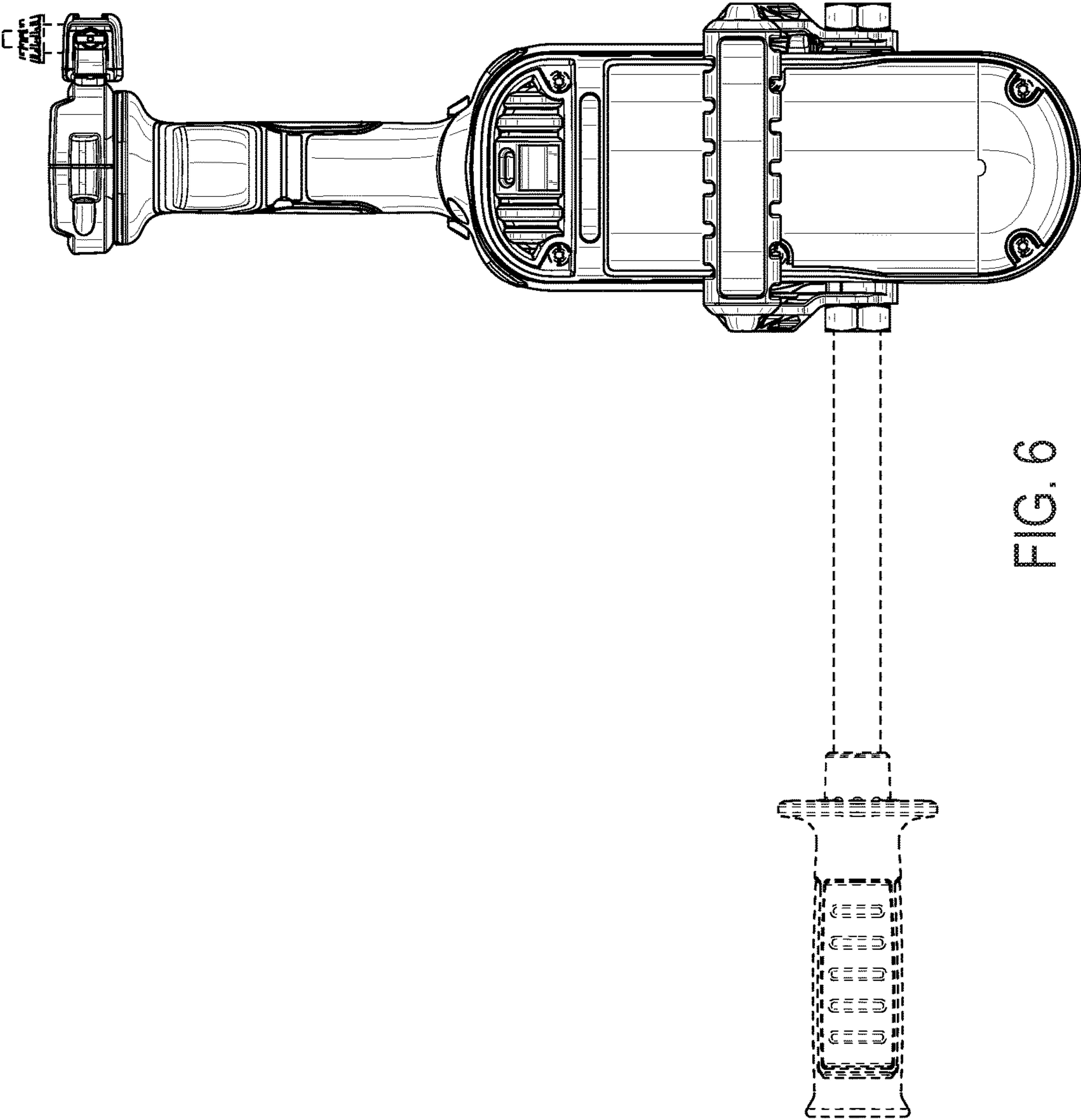


FIG. 6

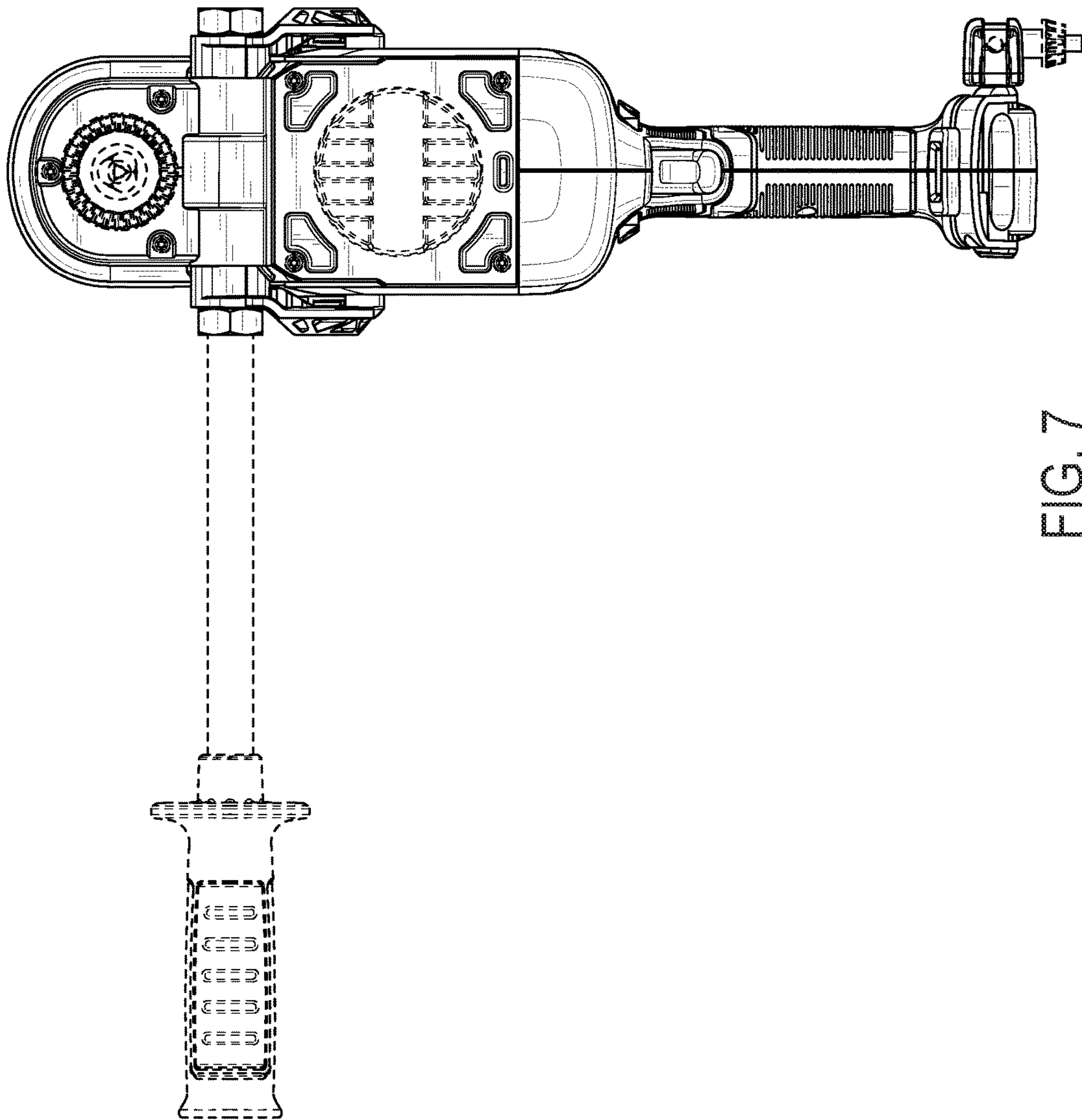


FIG. 7

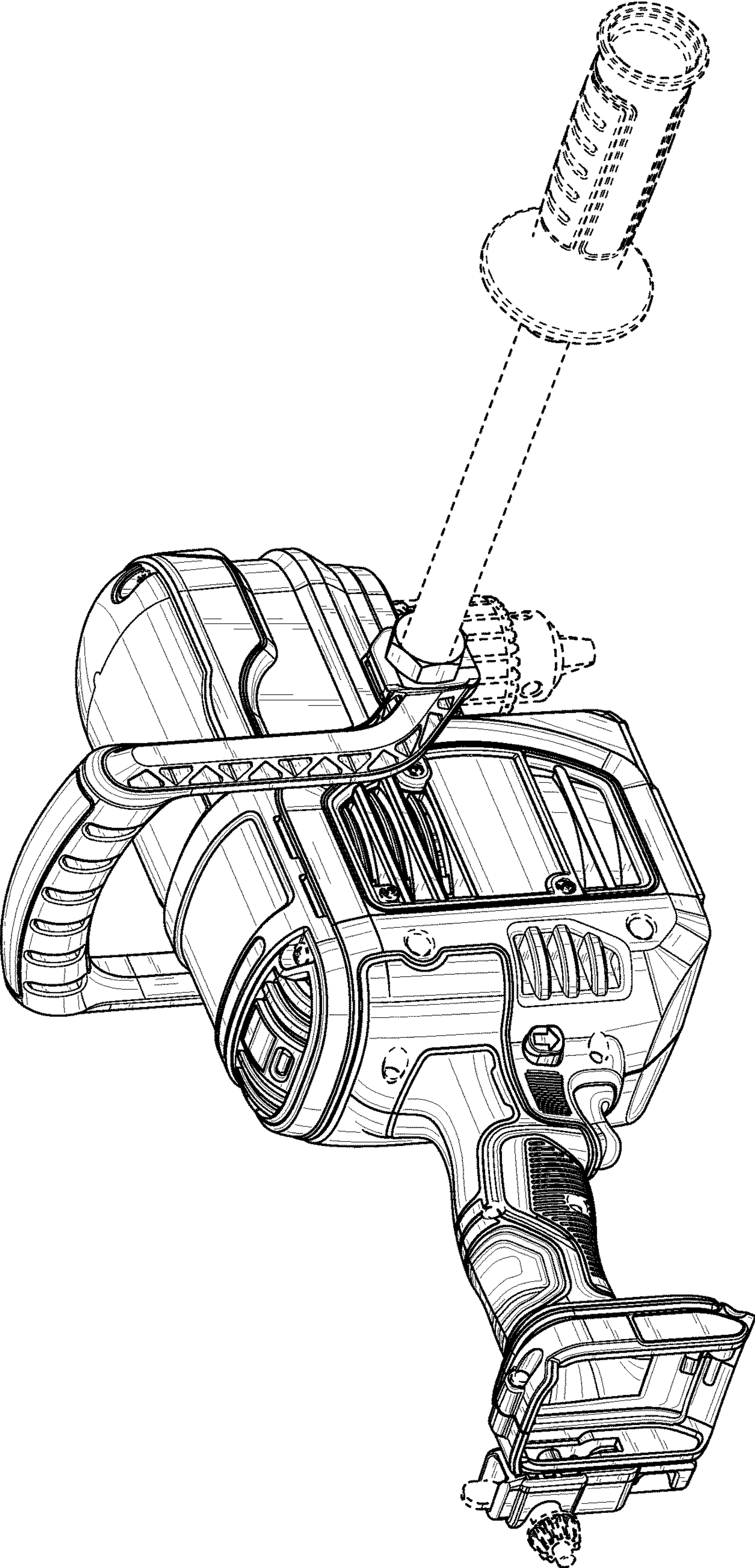


FIG. 8