



US00D805363S

(12) **United States Design Patent**
Weinberg

(10) **Patent No.:** **US D805,363 S**

(45) **Date of Patent:** **** Dec. 19, 2017**

(54) **CONTAINER**

(71) Applicant: **Francine Weinberg**, New York, NY
(US)

(72) Inventor: **Francine Weinberg**, New York, NY
(US)

(**) Term: **15 Years**

(21) Appl. No.: **29/567,281**

(22) Filed: **Jun. 7, 2016**

(51) **LOC (10) Cl.** **07-06**

(52) **U.S. Cl.**
USPC **D7/703**

(58) **Field of Classification Search**
USPC D3/294, 295; D7/213, 387, 392, 392.1,
D7/396.1, 396.3, 541, 546, 549, 554.2,
D7/554.3, 602, 605, 701, 703, 705;
D9/414, 420, 426, 428, 430, 434-436,
D9/438, 443, 449, 454, 455, 499, 703,
D9/717, 721
CPC B65D 21/02; B65D 51/246; B65D 77/245
See application file for complete search history.

(56) **References Cited**

U.S. PATENT DOCUMENTS

D48,994 S *	5/1916	Sutter	D9/436
D168,709 S *	1/1953	Reinecke	D18/2
D342,609 S *	12/1993	Brightbill	D3/272
D515,313 S *	2/2006	Uffner	D3/273
D533,075 S *	12/2006	Snedden	D9/717
D548,970 S *	8/2007	Huang	D3/294
D577,960 S *	10/2008	Ersan	D7/538

(Continued)

OTHER PUBLICATIONS

Seaflo (UK). Collapsible Lunch Box with Spork. Jan. 30, 2016
[earliest online date], [site visited Apr. 7, 2017]. Available from

Internet, <URL:http://seaflo-uk.com/collapsible-lunch-box-with-spork-a-food-storage-container-wacky-but-practical-984-p.asp>.*

(Continued)

Primary Examiner — Robert M. Spear

Assistant Examiner — Darcey E Heflin

(74) *Attorney, Agent, or Firm* — Christopher Pilling

(57) **CLAIM**

The ornamental design for a container, substantially as shown and described.

DESCRIPTION

FIG. 1 is a perspective view of a container showing my new design;

FIG. 2 is a front view thereof;

FIG. 3 is a rear view thereof;

FIG. 4 is a top plan view thereof;

FIG. 5 is a bottom plan view thereof;

FIG. 6 is a left side view thereof;

FIG. 7 is a right side view thereof;

FIG. 8 is a perspective view thereof, with the first and secondary lids in the open position;

FIG. 9 is a front view thereof;

FIG. 10 is a rear view thereof;

FIG. 11 is a top plan view thereof;

FIG. 12 is a bottom plan view thereof;

FIG. 13 is a left side view thereof;

FIG. 14 is a right side view thereof;

FIG. 15 is a perspective view thereof, with the first lid in the open position and secondary lid in the closed position showing the utensil;

FIG. 16 is a front view thereof;

FIG. 17 is a rear view thereof;

FIG. 18 is a top plan view thereof;

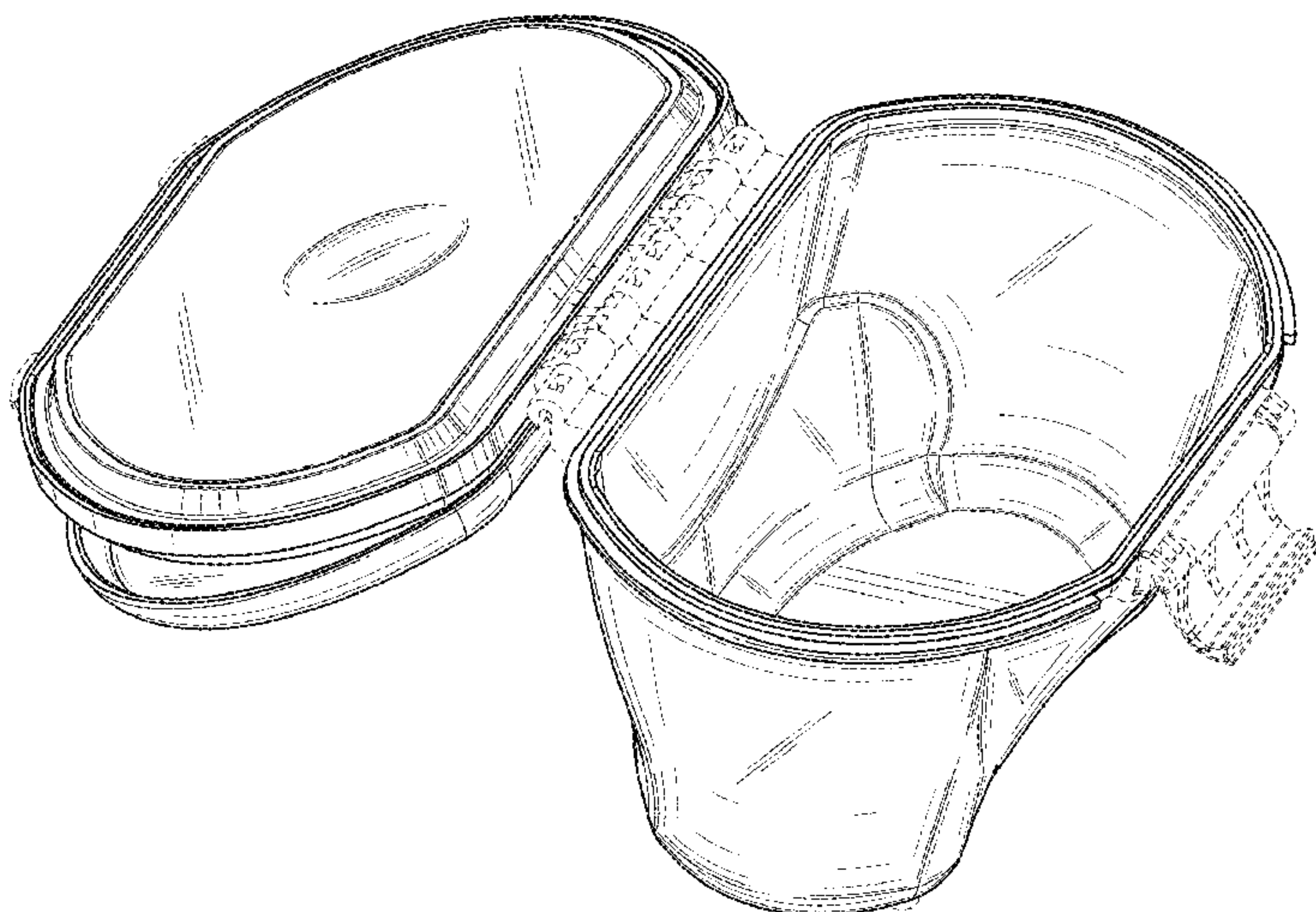
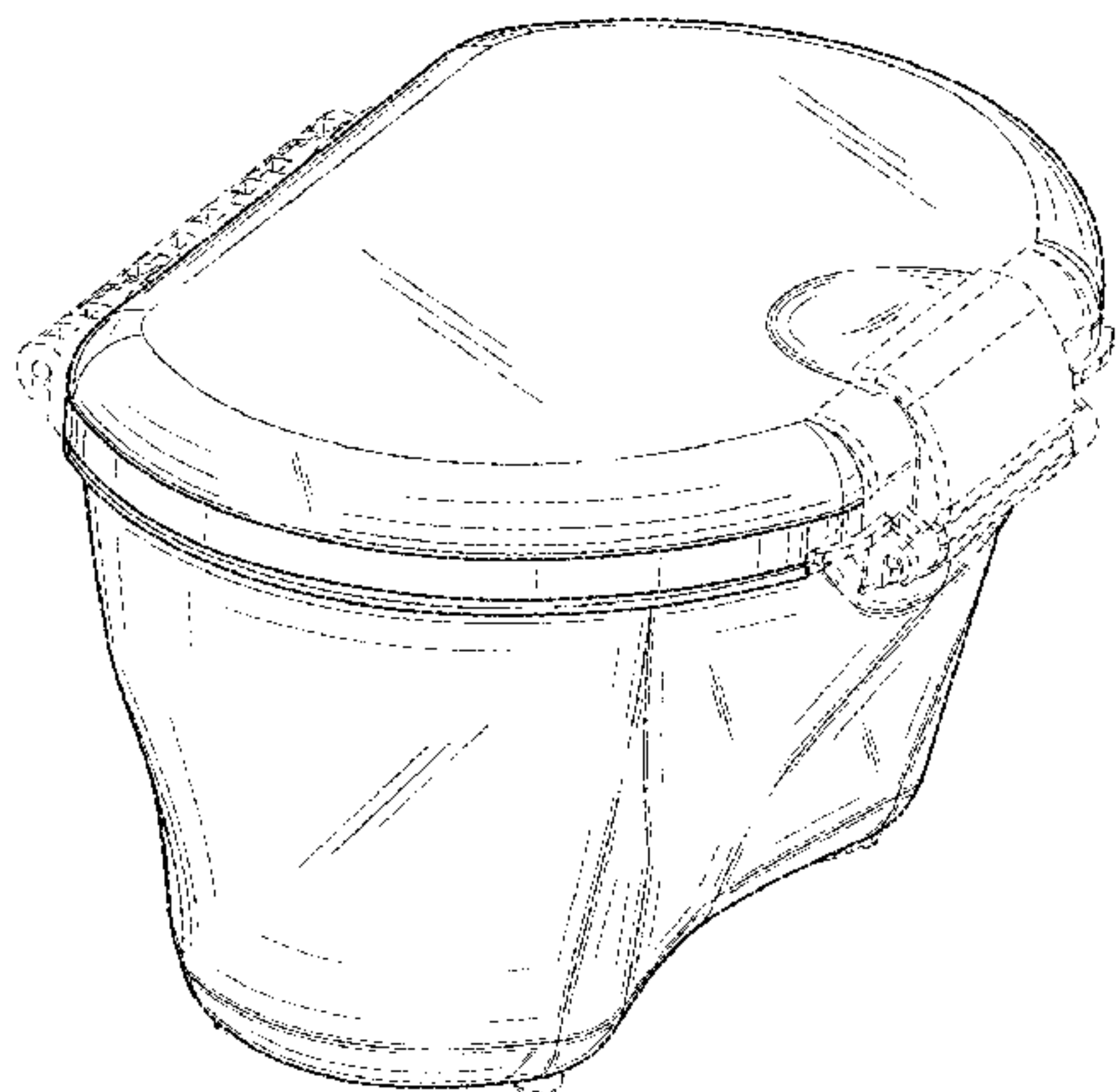
FIG. 19 is a bottom plan view thereof;

FIG. 20 is a left side view thereof; and,

FIG. 21 is a right side view thereof.

In the drawings, the broken lines showing portions of a container depict environment and form no part of the claim.

1 Claim, 21 Drawing Sheets



(56)

References Cited

U.S. PATENT DOCUMENTS

D635,415 S * 4/2011 Chin D7/703
D676,238 S * 2/2013 Wu D3/294
D718,148 S * 11/2014 Marret D9/717
D735,577 S * 8/2015 Lee D9/436
2009/0120942 A1* 5/2009 Vovan B65D 43/0239
220/574.1
2009/0184120 A1* 7/2009 Stevens B29C 45/16
220/212.5
2012/0285845 A1* 11/2012 Jackson A47G 19/186
206/223
2014/0021206 A1* 1/2014 Vernon A47G 19/06
220/574.1
2015/0298883 A1* 10/2015 Van Puijenbroek . B65D 77/245
426/106

OTHER PUBLICATIONS

My Daily Sales. Dual-Compartment Airtight Lunch Box. Jan. 3, 2014 [earliest online date], [site visited Apr. 7, 2017]. Available from Internet, <URL:https://www.mydailysales.com/ready-stock-dual-compartment-airtight-lunch-box-includes-delivery/>.*

Amazon. Collapsible Lunch Box XL with 2 Compartments & Utensil. Jan. 7, 2015 [earliest online date], [site visited Apr. 7, 2017]. Available from Internet, <URL:https://www.amazon.com/Collapsible-Lunch-Box-Compartments-Utensil/dp/B00OHZT9IS>.*

* cited by examiner

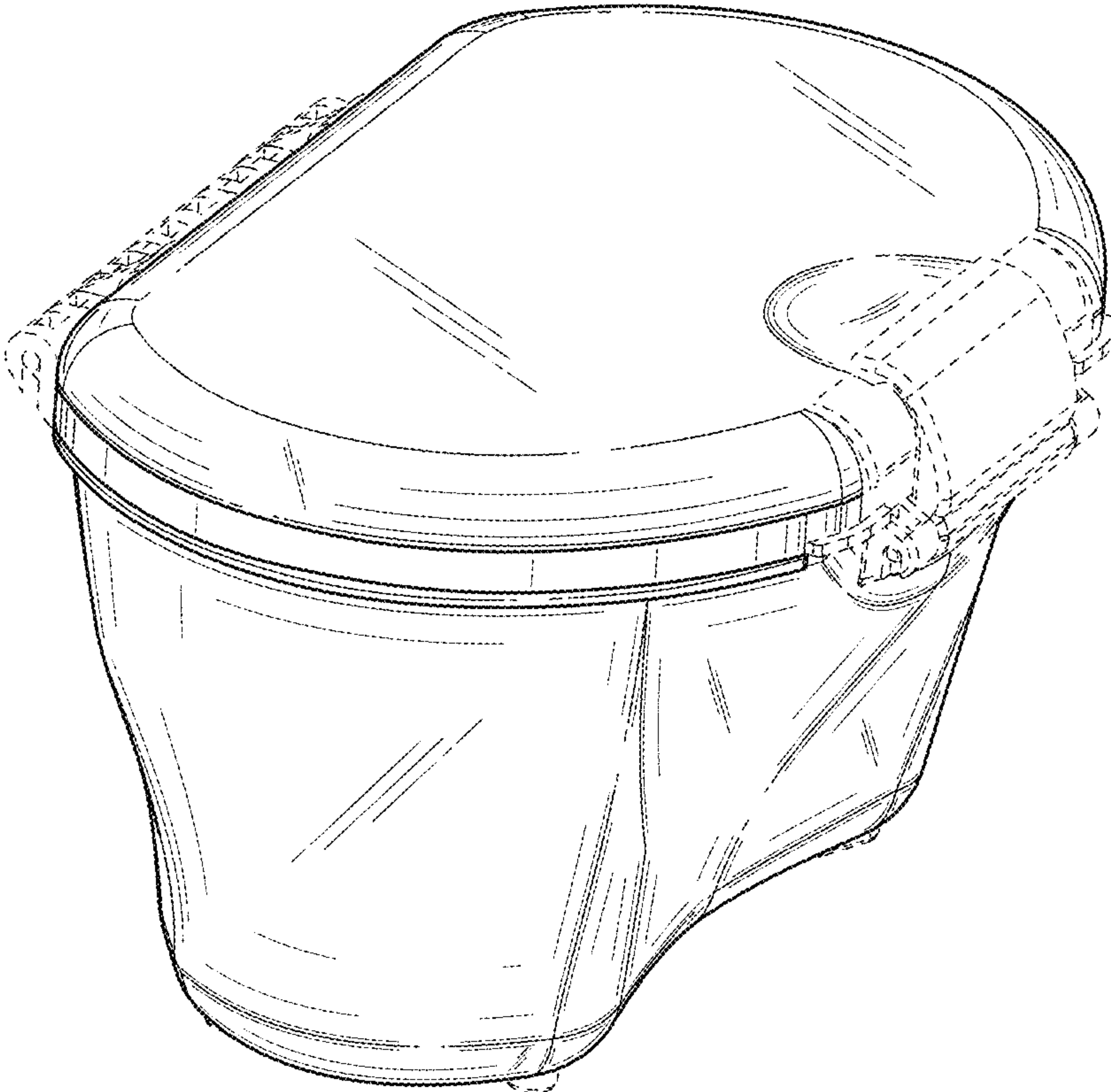


FIG. 1

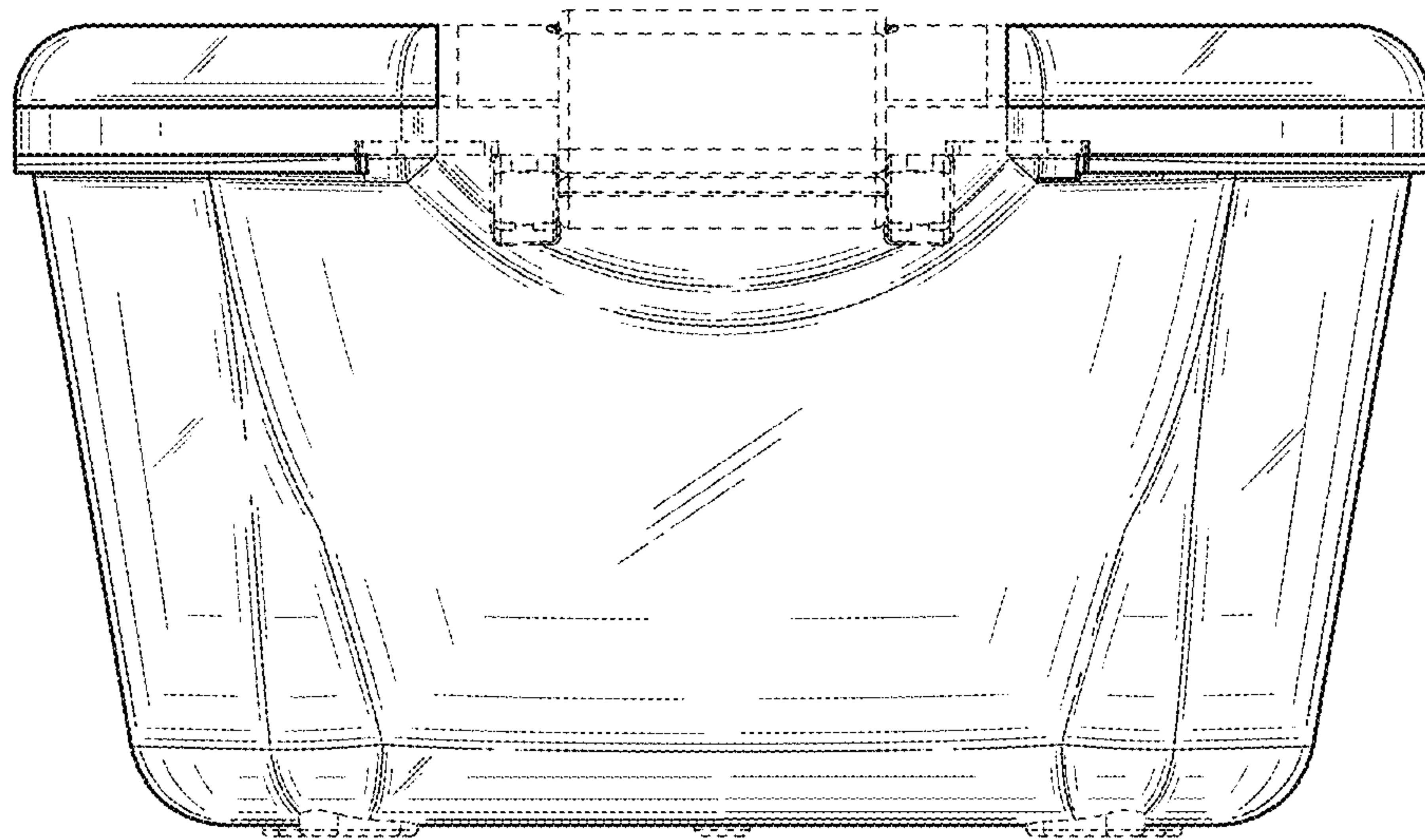


FIG. 2

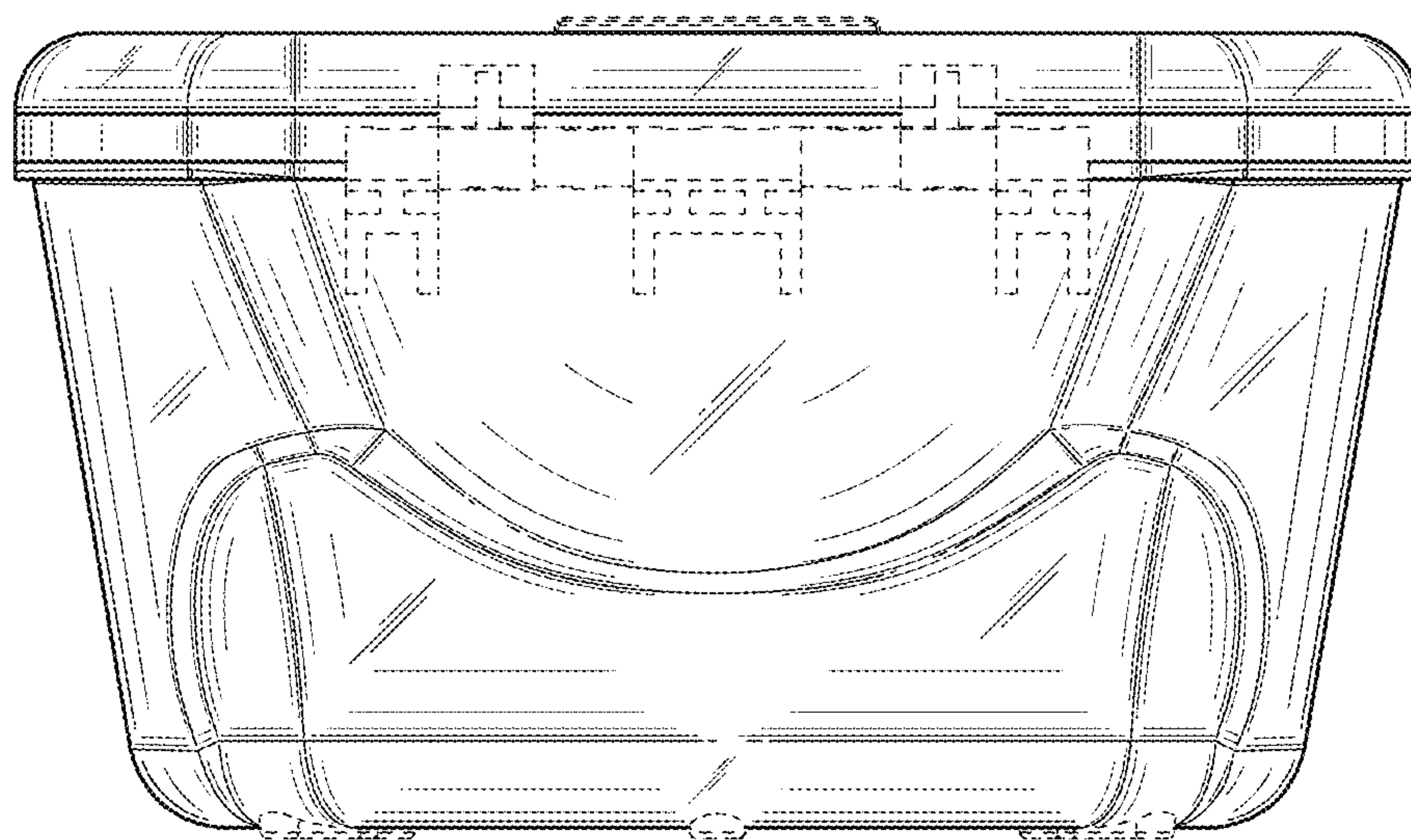


FIG. 3

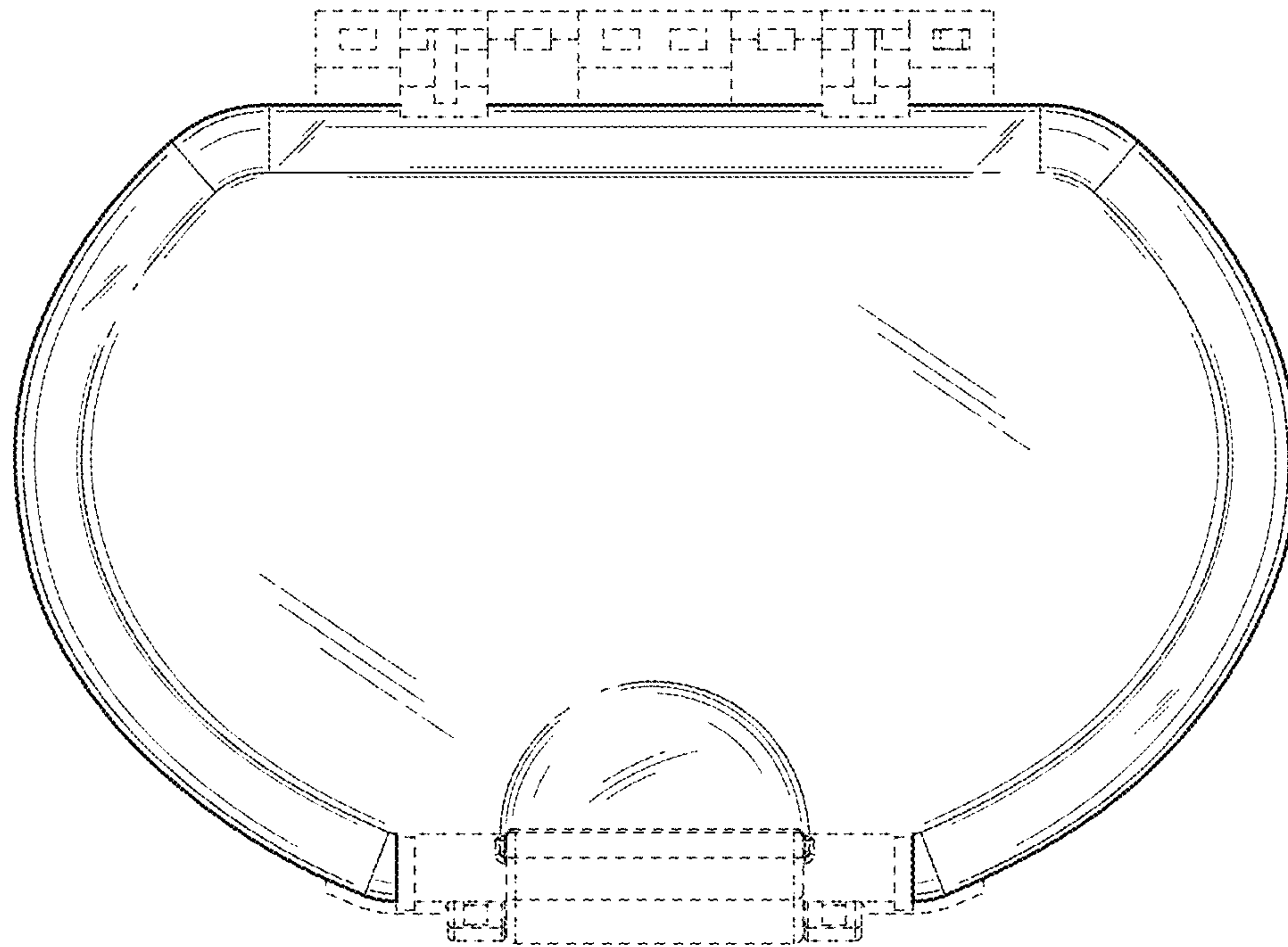


FIG. 4

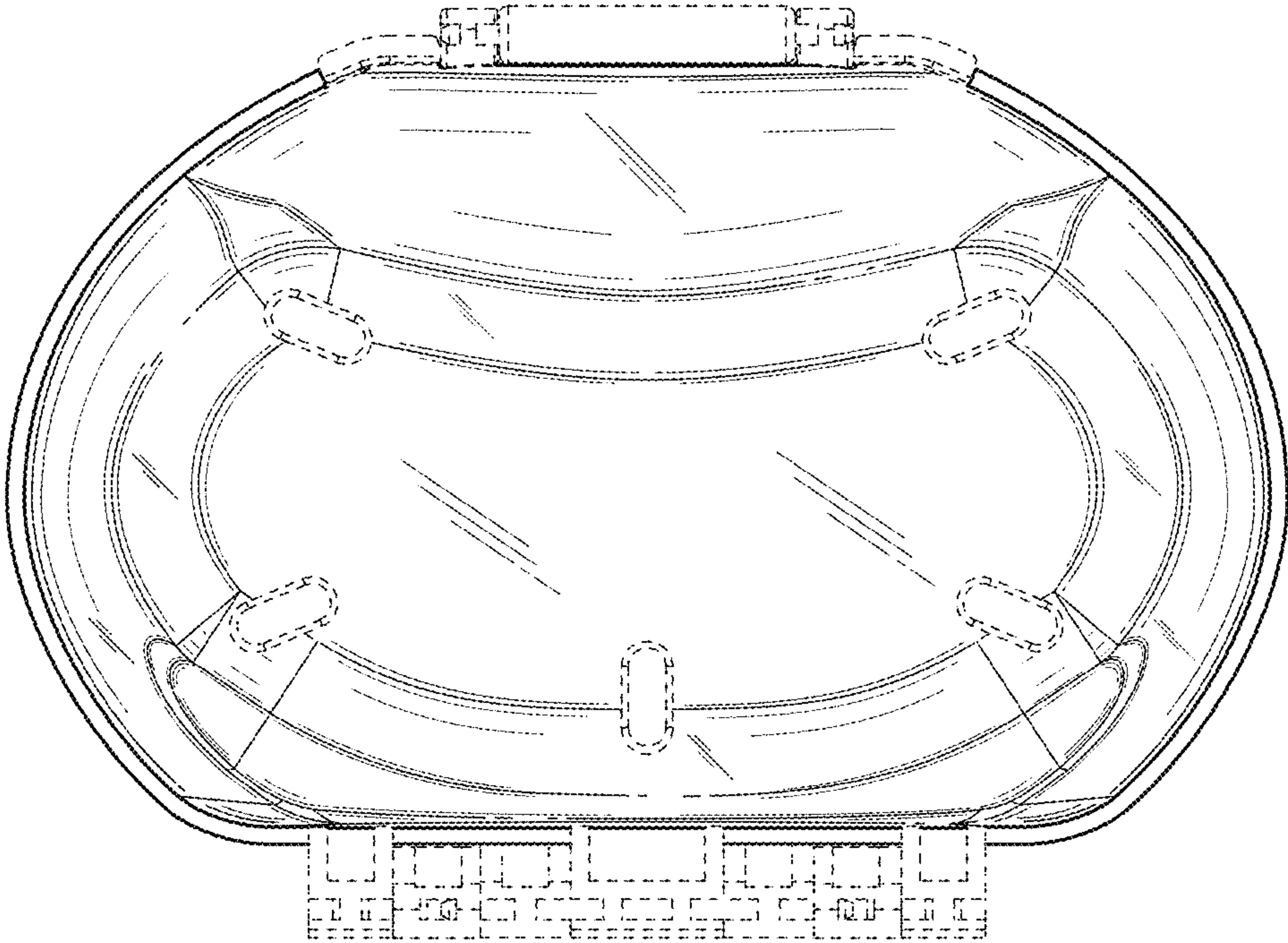


FIG. 5

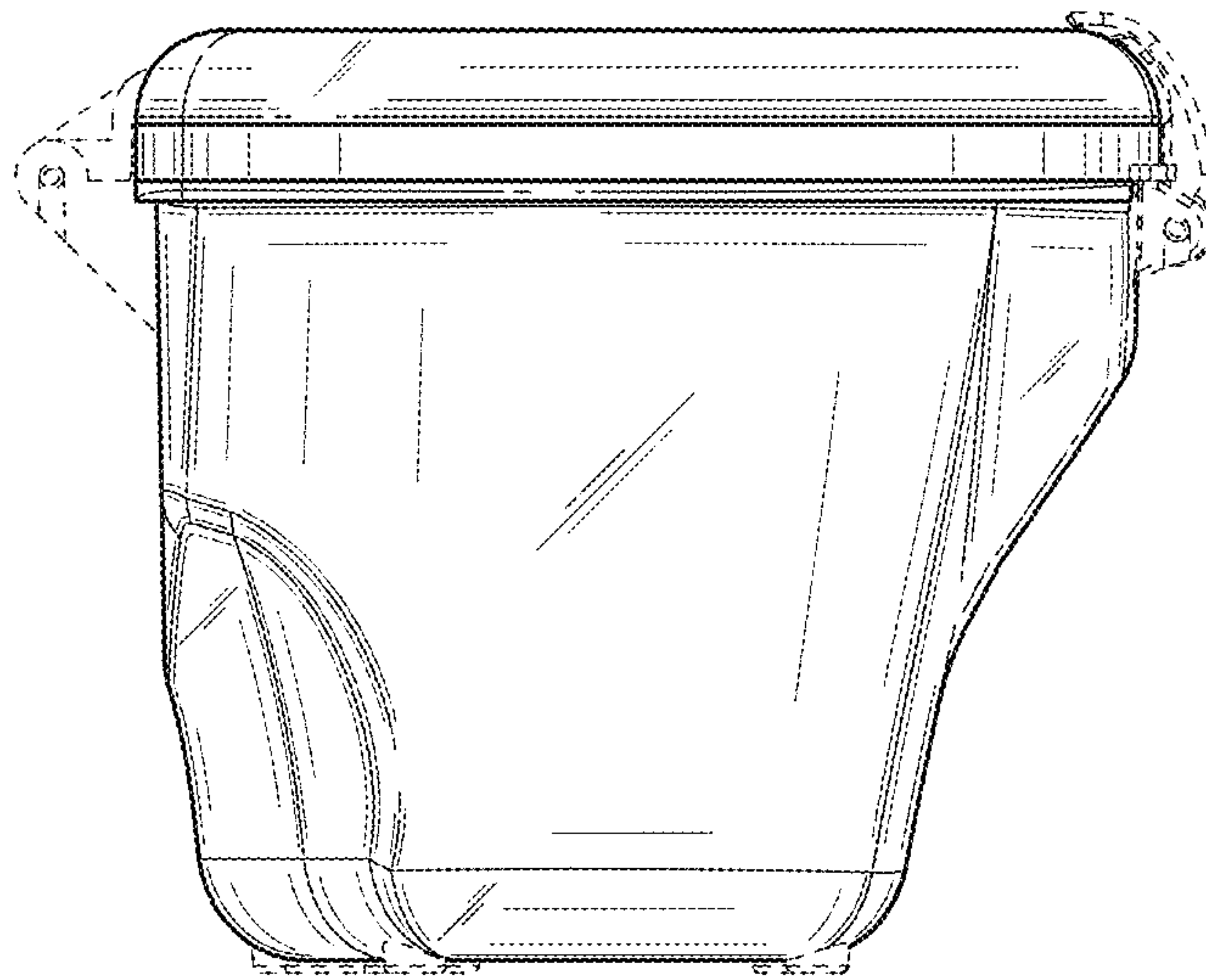


FIG. 6

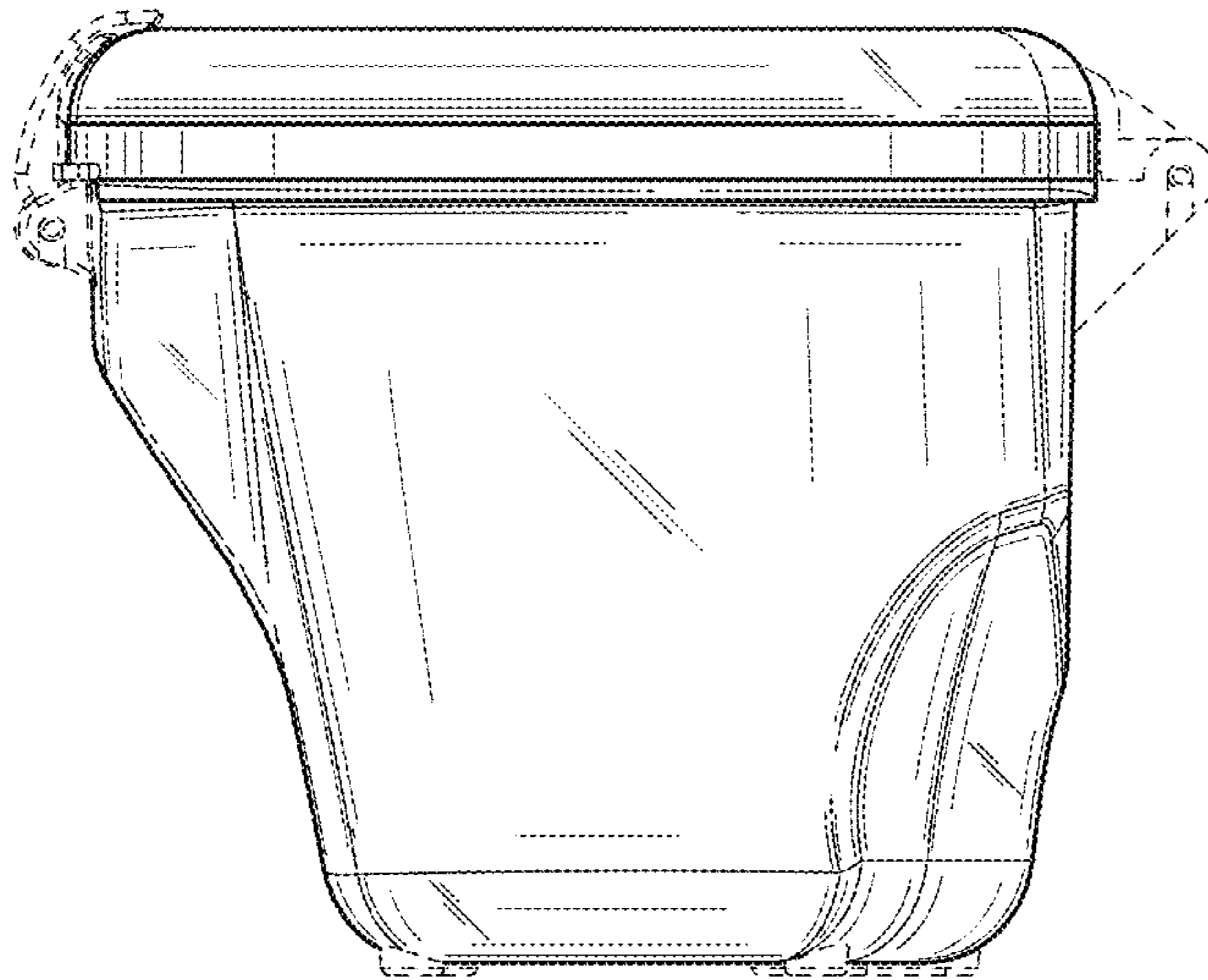


FIG. 7

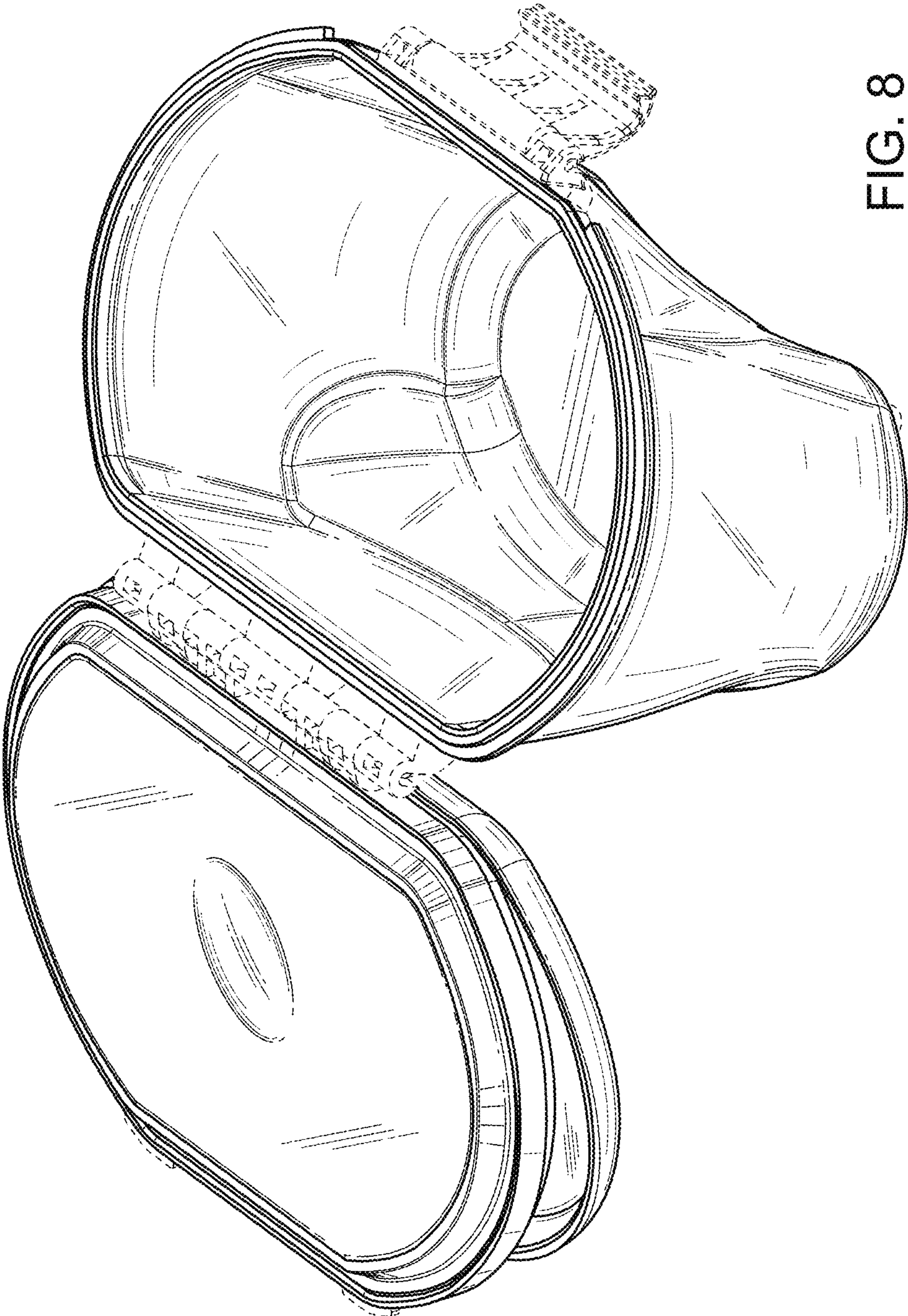


FIG. 8

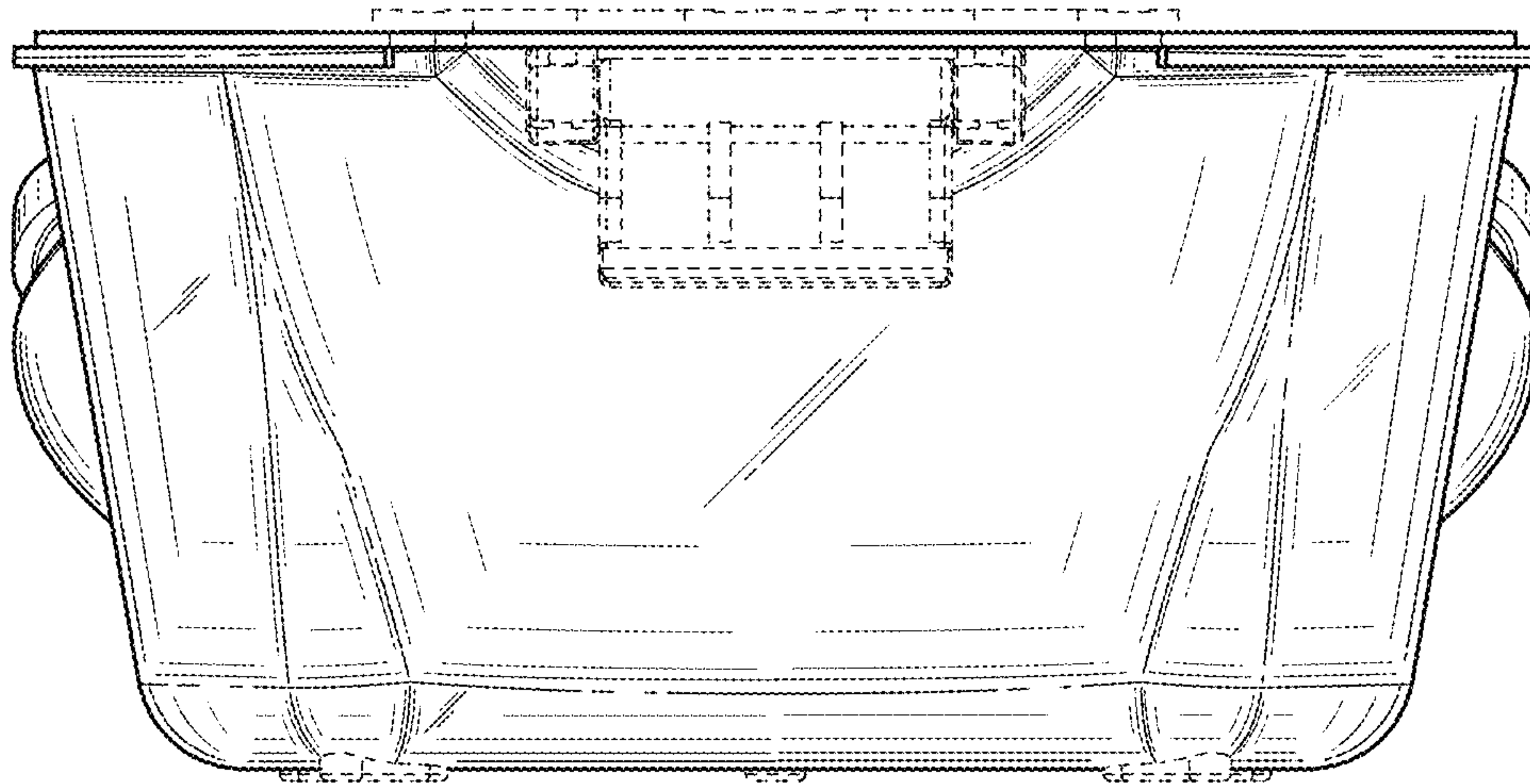


FIG. 9

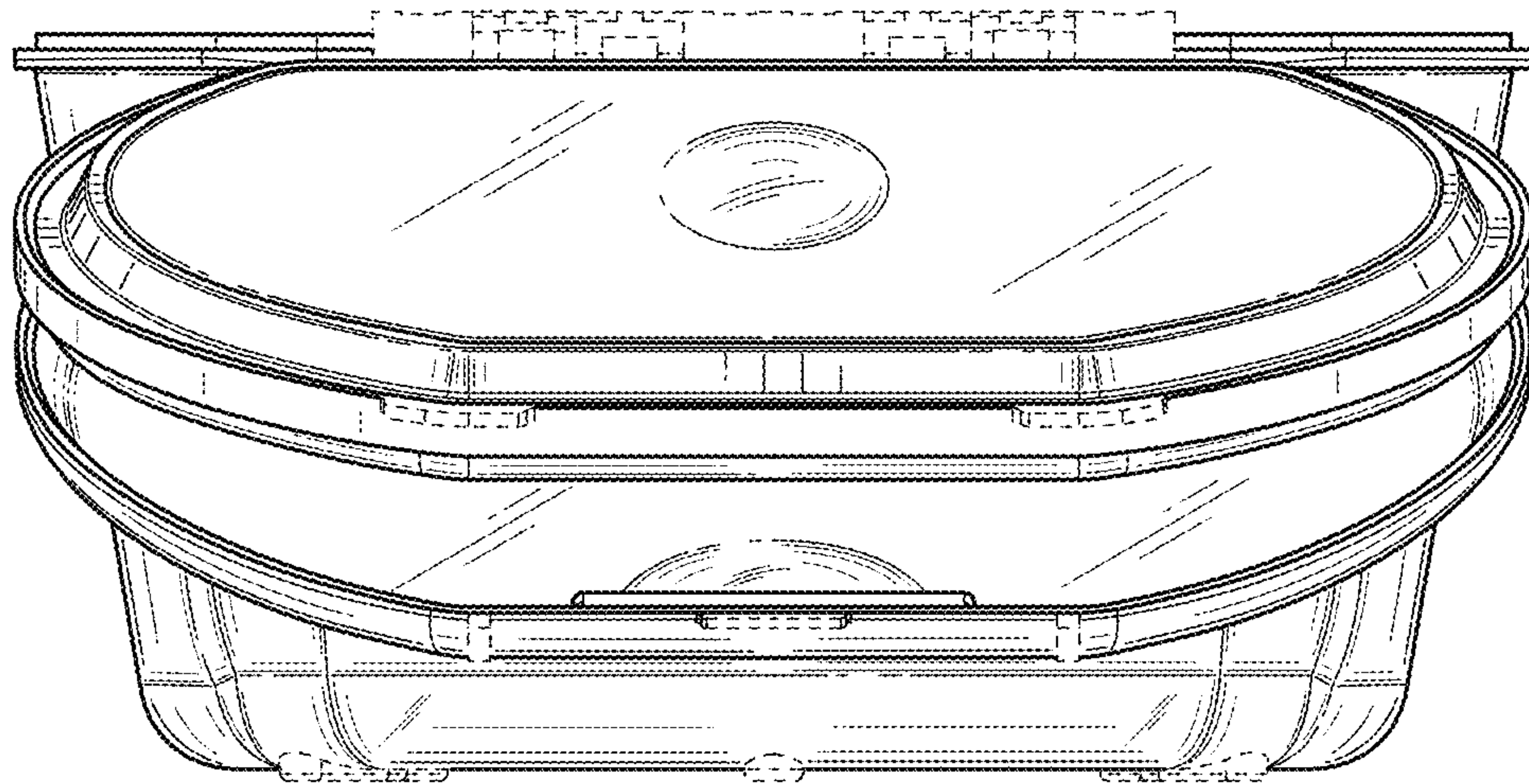


FIG. 10

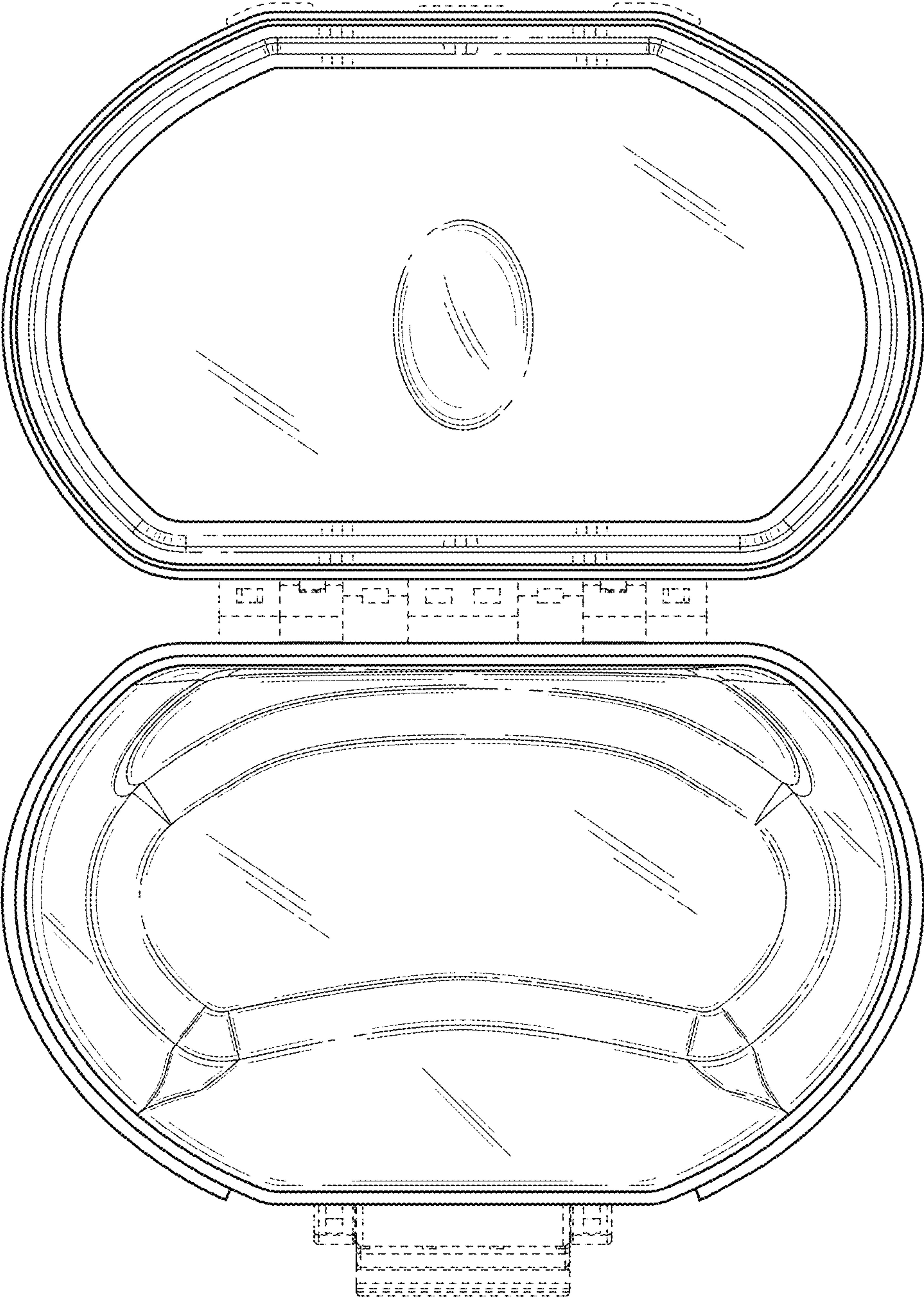


FIG. 11

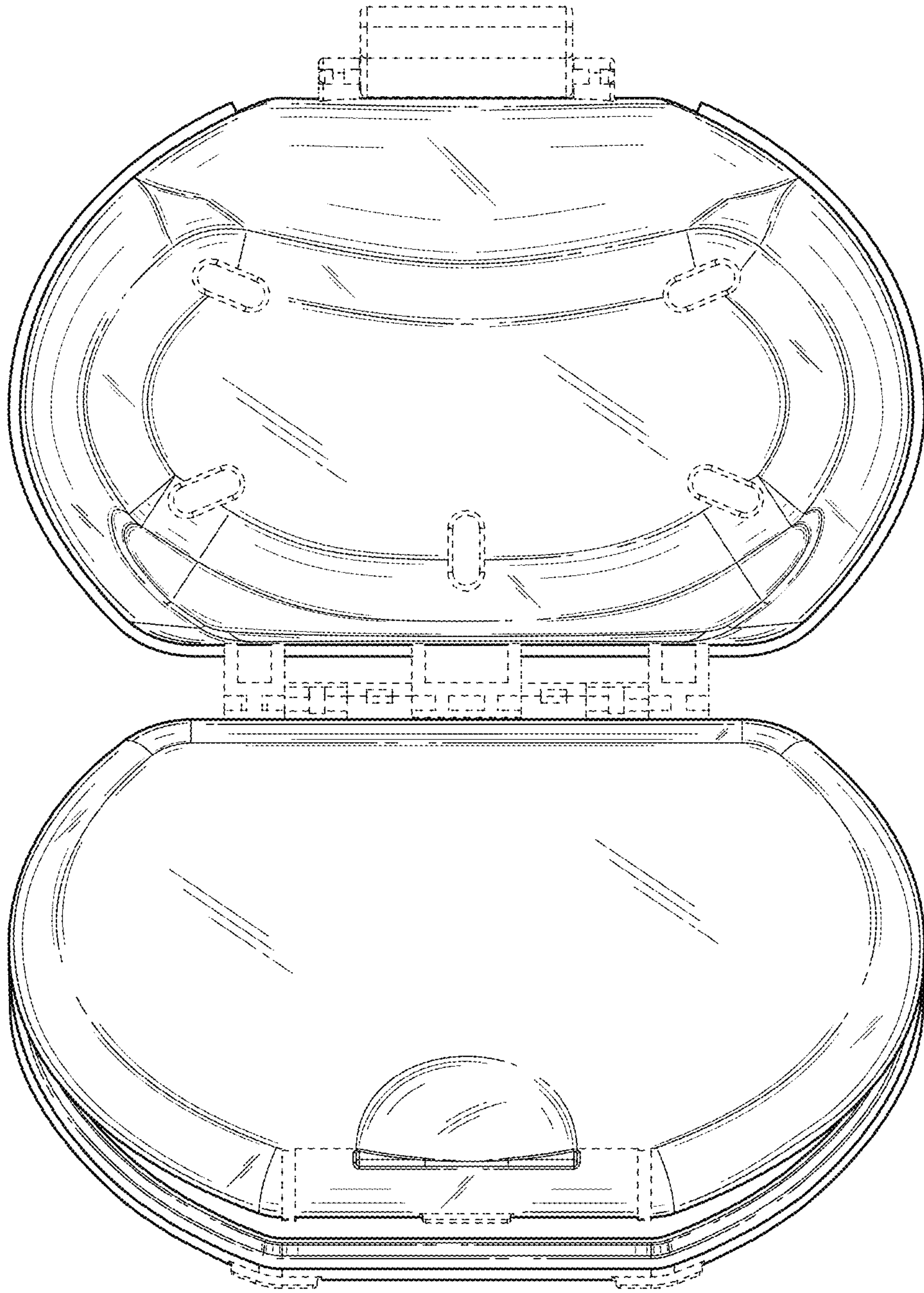


FIG. 12

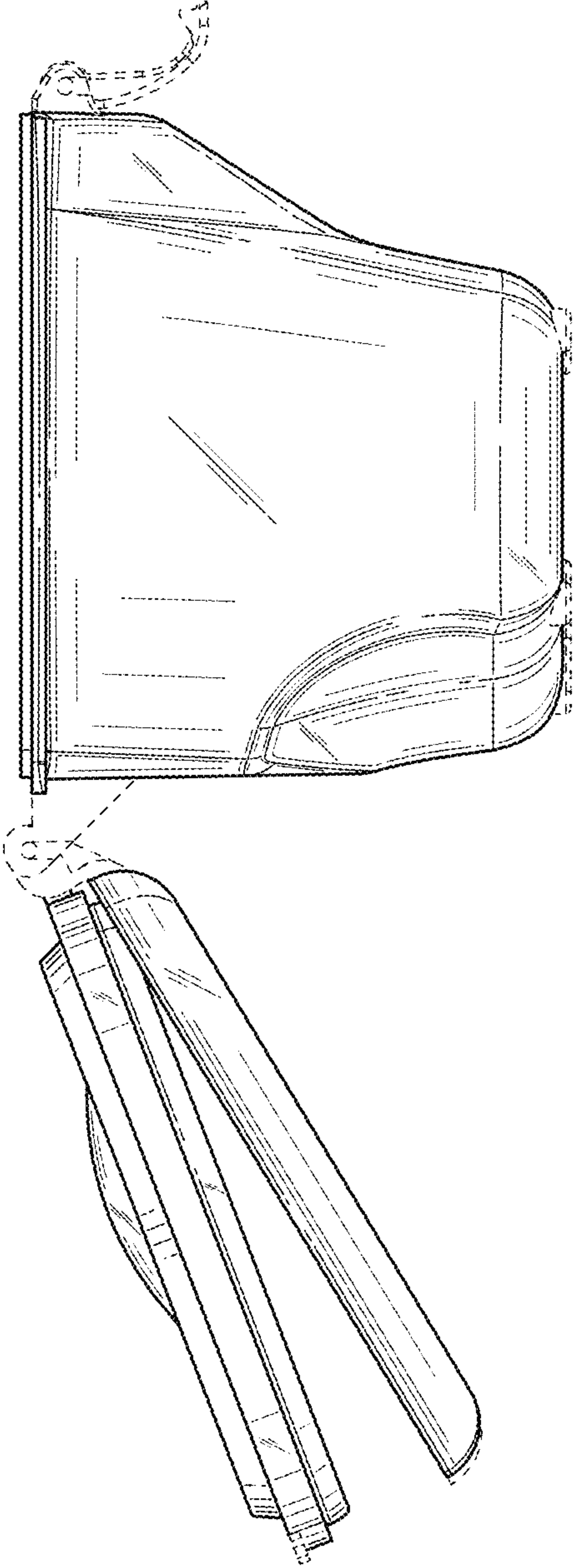


FIG. 13

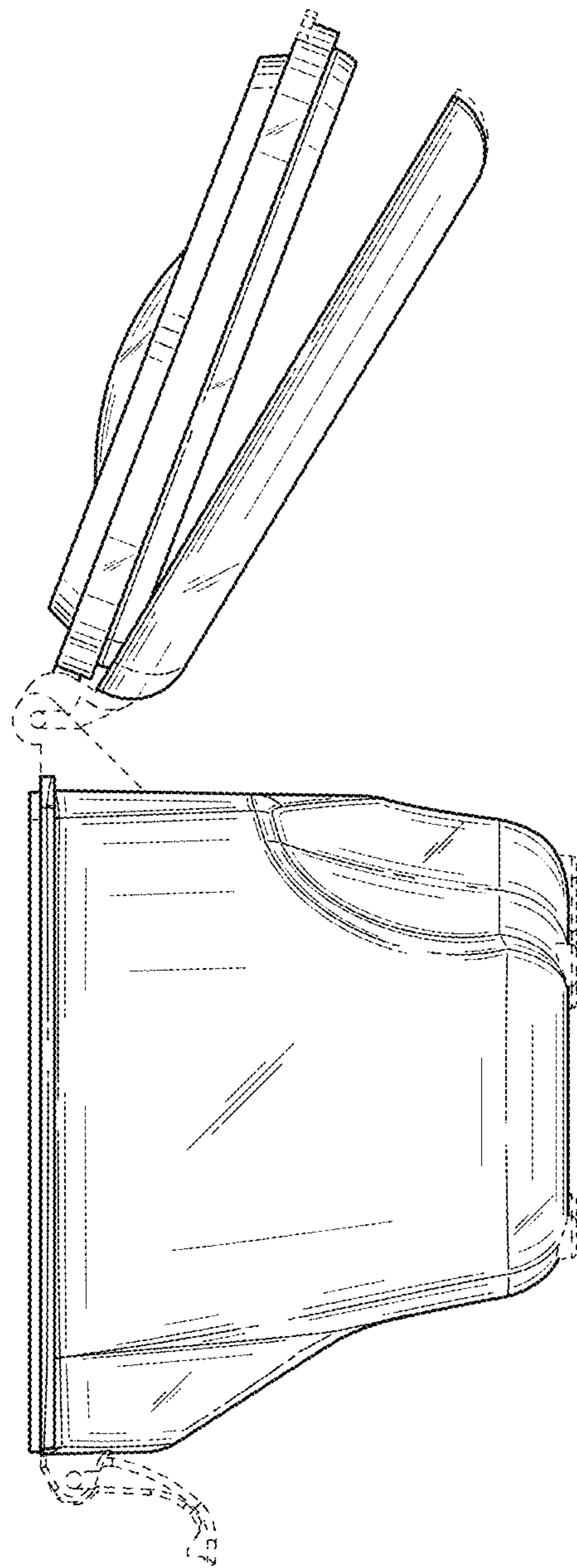


FIG. 14

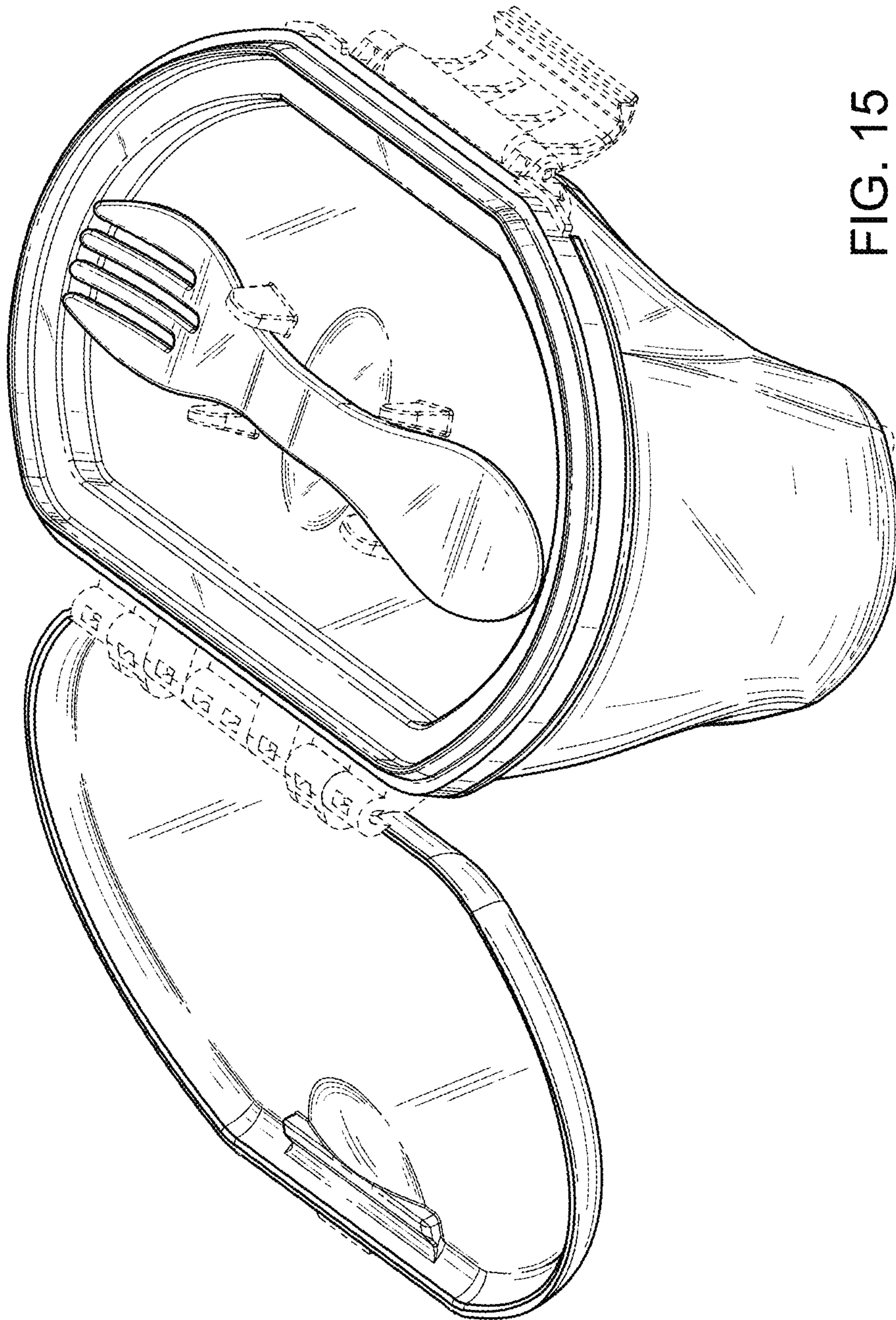


FIG. 15

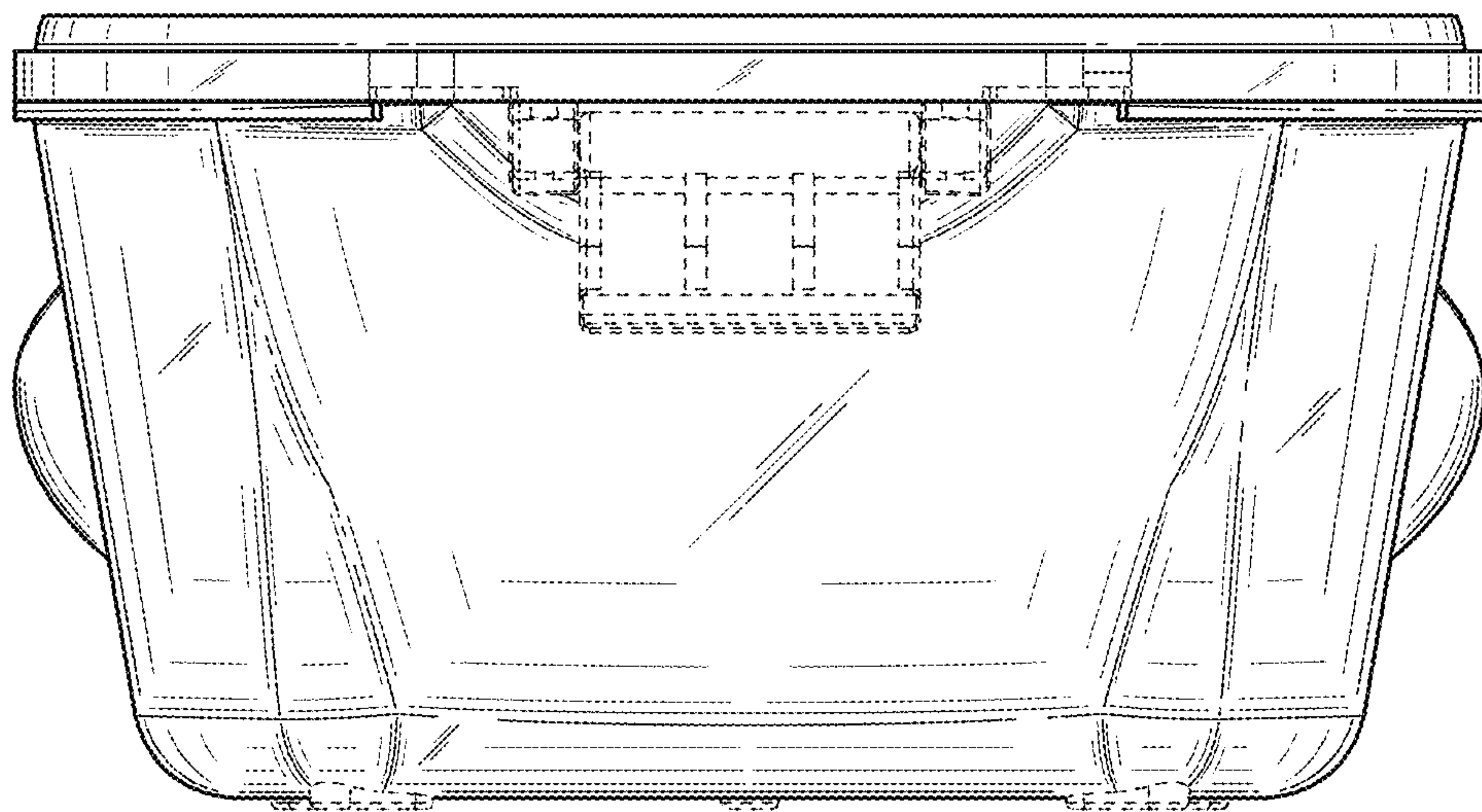


FIG. 16

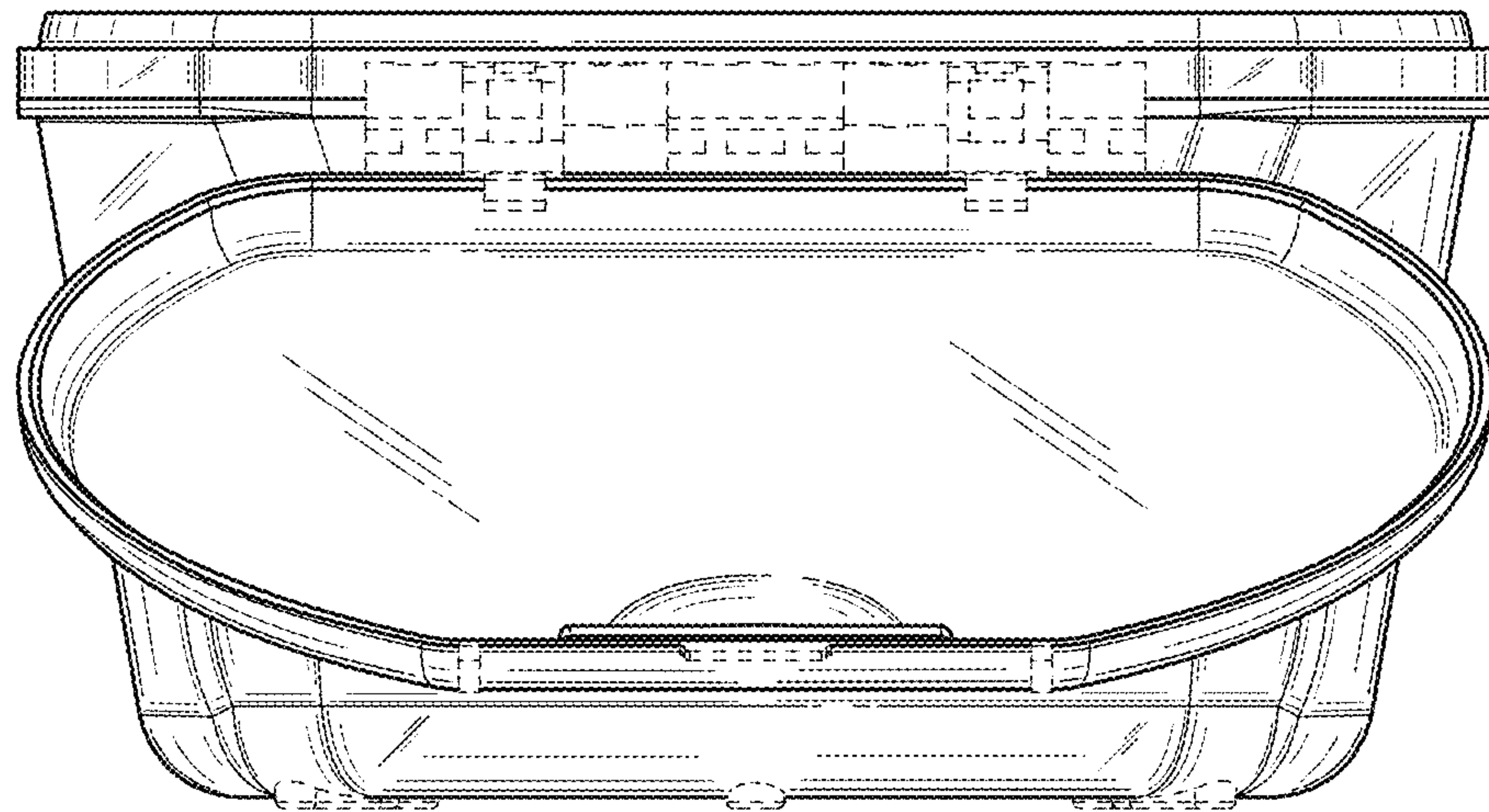


FIG. 17

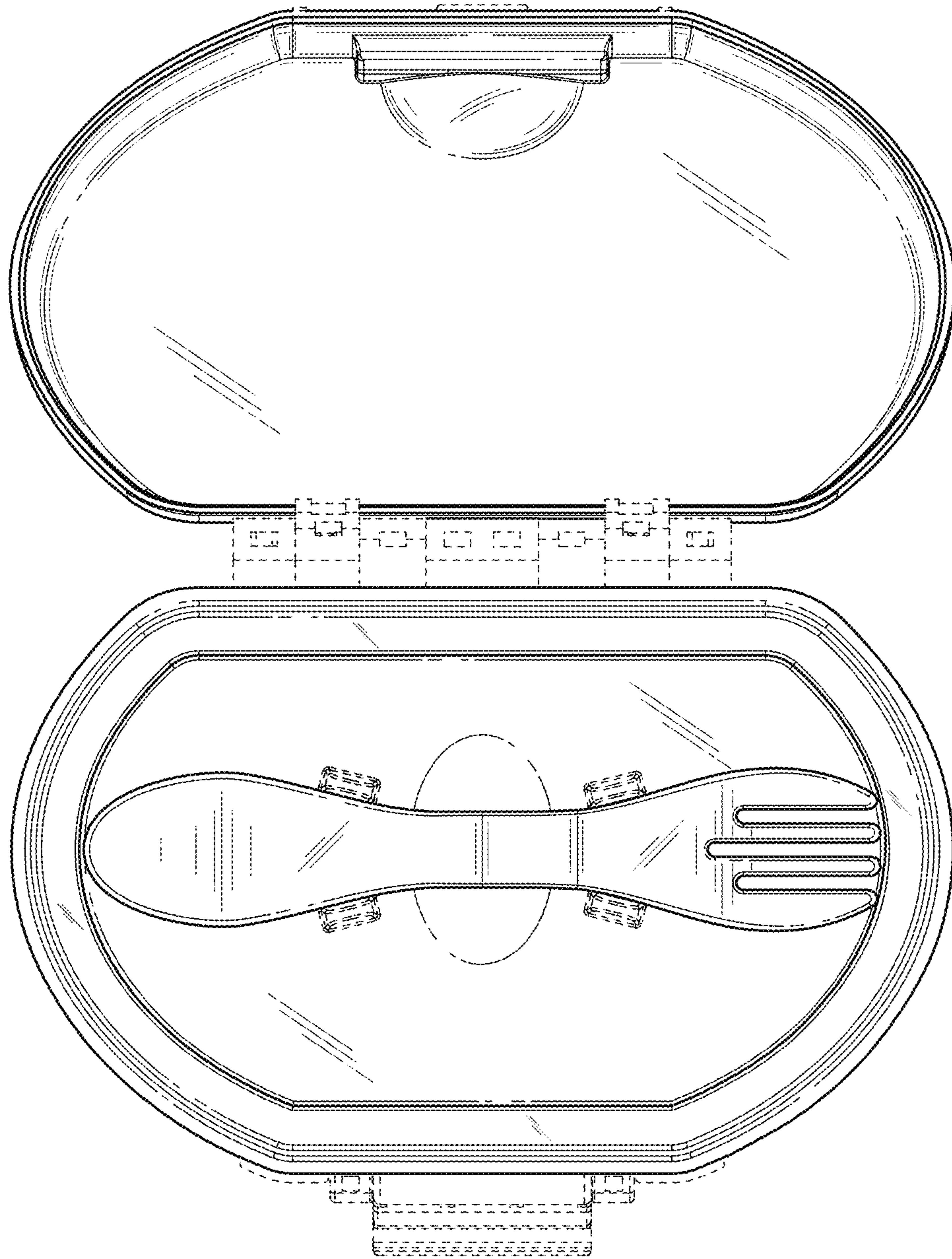


FIG. 18

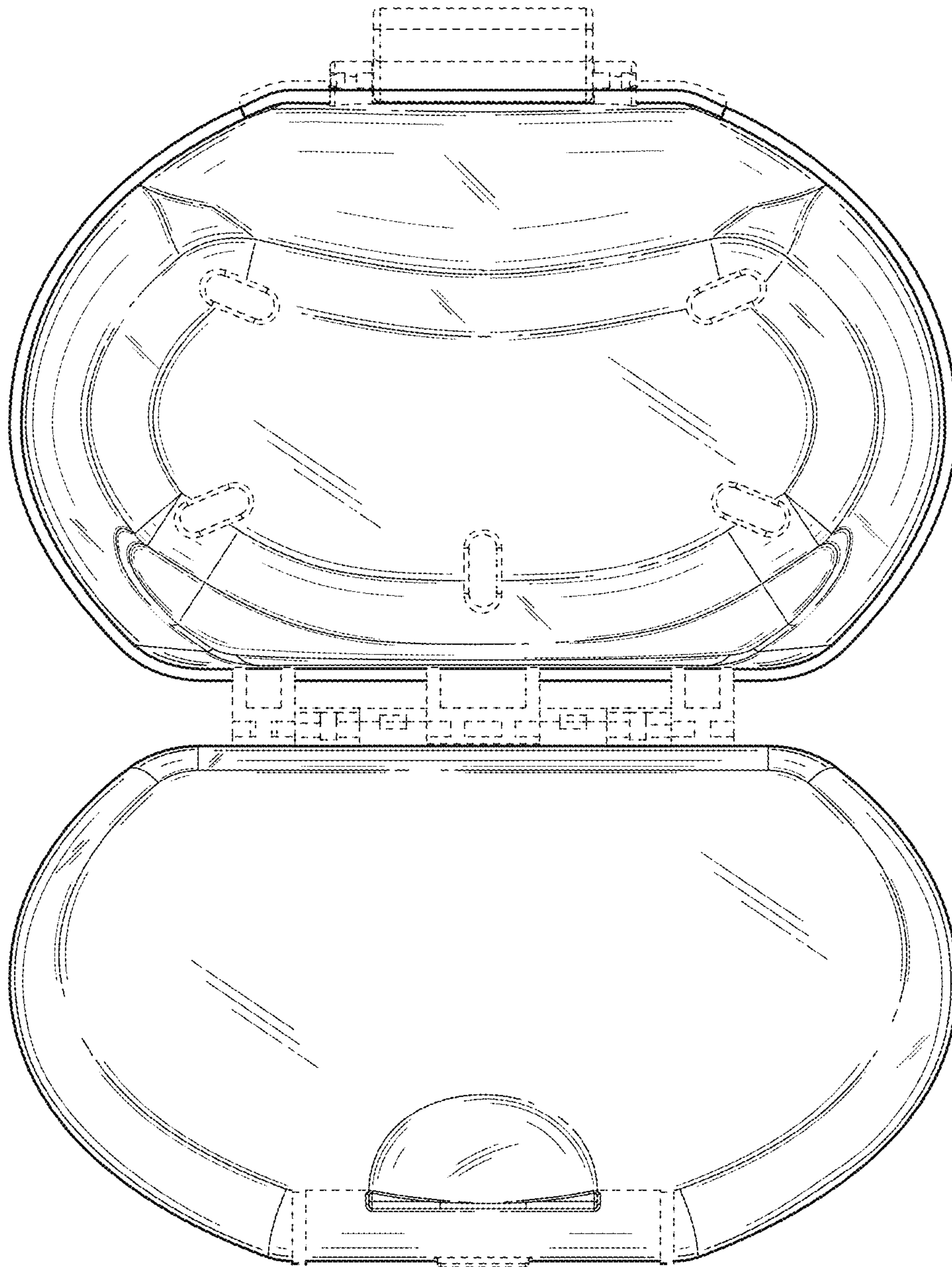


FIG. 19

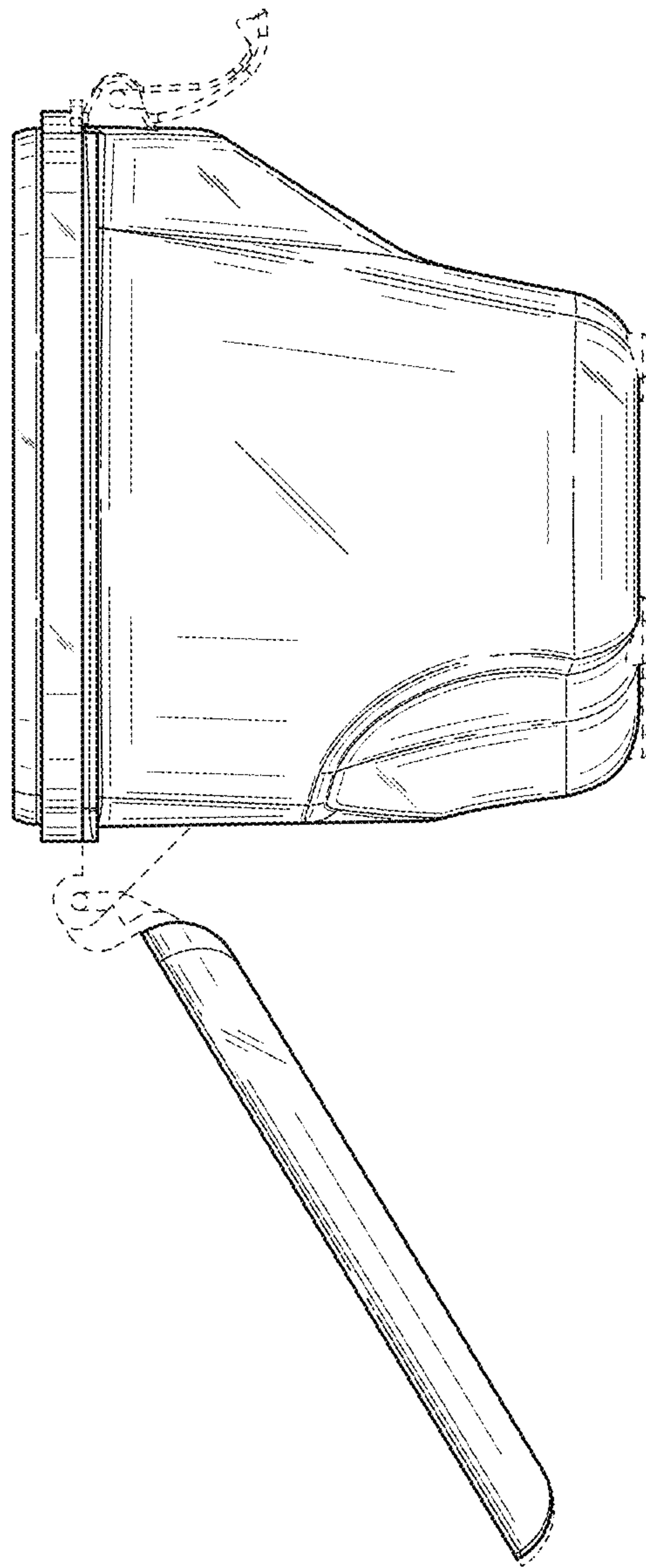


FIG. 20

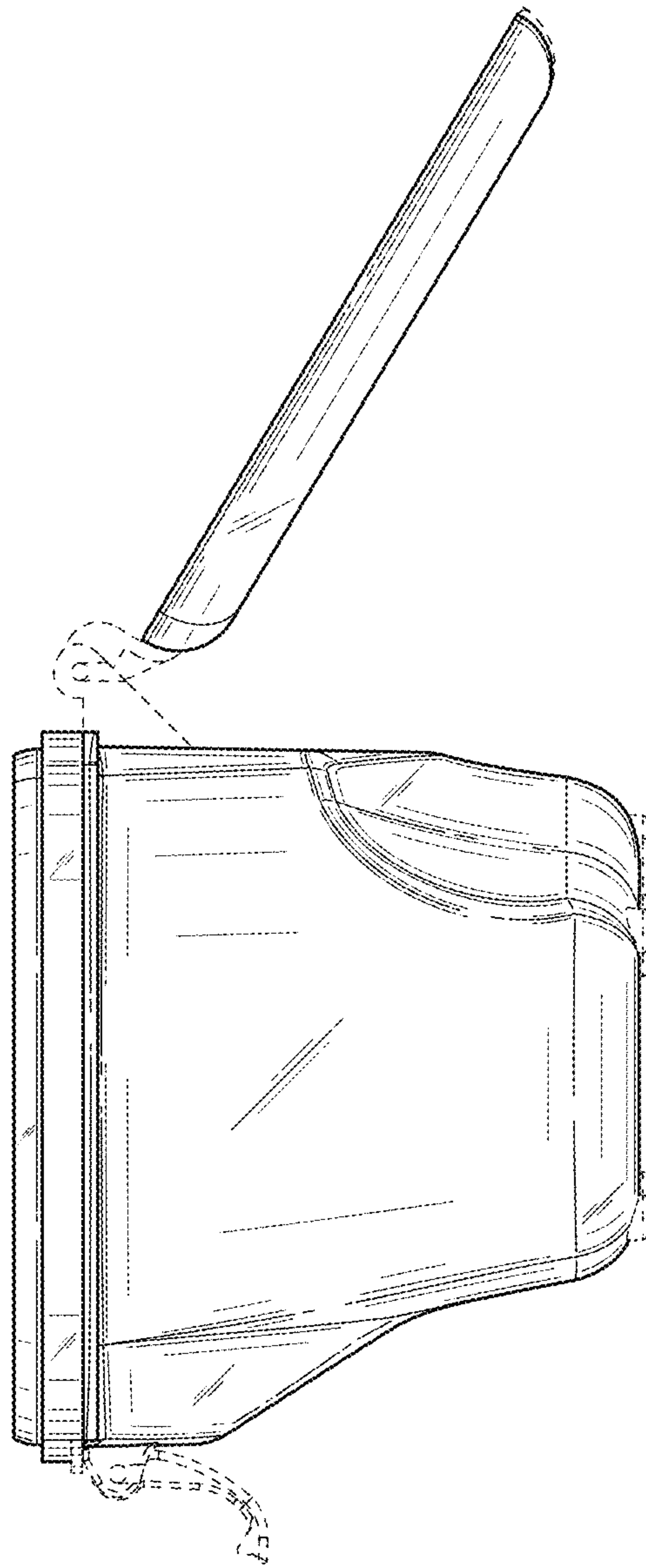


FIG. 21