



US00D805362S

(12) **United States Design Patent** (10) **Patent No.:** **US D805,362 S**
Perez, Sr. (45) **Date of Patent:** **** Dec. 19, 2017**

(54) **STORAGE CONTAINER SWINGING RACK**

OTHER PUBLICATIONS

(71) Applicant: **Julio E. Perez, Sr.**, Key West, FL (US)

(72) Inventor: **Julio E. Perez, Sr.**, Key West, FL (US)

(**) Term: **15 Years**

(21) Appl. No.: **29/588,570**

(22) Filed: **Dec. 21, 2016**

(51) **LOC (10) Cl.** **07-06**

(52) **U.S. Cl.**
USPC **D7/701**

(58) **Field of Classification Search**

USPC D3/304, 306, 307, 315; D6/512, 672,
D6/680.2, 681; D7/601, 602, 608, 701,
D7/704, 708; D9/434, 499; D32/55, 58,
D32/65

CPC A47J 47/16
See application file for complete search history.

Mason Jar Storage. 2016 [earliest online date], [site visited Aug. 22, 2017]. Available from Internet, <URL:http://www.masonjarstorage.com/>.*

Simplified Building. Free Standing Bookshelf: Plans to Build Your Own. 2017 [earliest online date], [site visited Sep. 19, 2017]. Available from Internet, <URL:https://www.simplifiedbuilding.com/projects/free-standing-bookshelf?utm_content=buffer67553&utm_medium=social&utm_source=pinterest.com&utm_campaign=buffer>.*

Amazon. Tandem Sport-Wall Mounted Vertical Challenger. Aug. 20, 2012 [earliest online date], [site visited Sep. 19, 2017]. Available from Internet, <URL:https://www.amazon.com/Tandem-Sport-Wall-Mounted-Vertical-Challenger/dp/B01JTA4S1S>.*

* cited by examiner

Primary Examiner — Robert M. Spear

Assistant Examiner — Darcey E Heflin

(74) *Attorney, Agent, or Firm* — Robert C. Montgomery; Montgomery Patent & Design, LP.

(57) **CLAIM**

The ornamental design for a storage container swinging rack, as shown and described.

(56) **References Cited**

DESCRIPTION

U.S. PATENT DOCUMENTS

3,606,023	A *	9/1971	Edmunds	A47B 73/006 211/194
D253,802	S *	1/1980	Loud	D6/682.2
D364,943	S *	12/1995	Valentine	248/121
D374,594	S *	10/1996	Munoz	D7/708
7,878,340	B1 *	2/2011	Olsen	A47B 73/00 211/186
D759,443	S *	6/2016	Christie	D7/701
D760,560	S *	7/2016	Chosovich	D7/701
9,414,671	B1 *	8/2016	Smith	A47B 73/00
D786,029	S *	5/2017	Pannell	D7/708
D789,163	S *	6/2017	Nemoto	D7/701

FIG. 1 is a perspective top front side view of a storage container swinging rack, showing my new design;

FIG. 2 is a right-side elevation view thereof;

FIG. 3 is a left-side elevation view thereof;

FIG. 4 is a front side elevation view thereof;

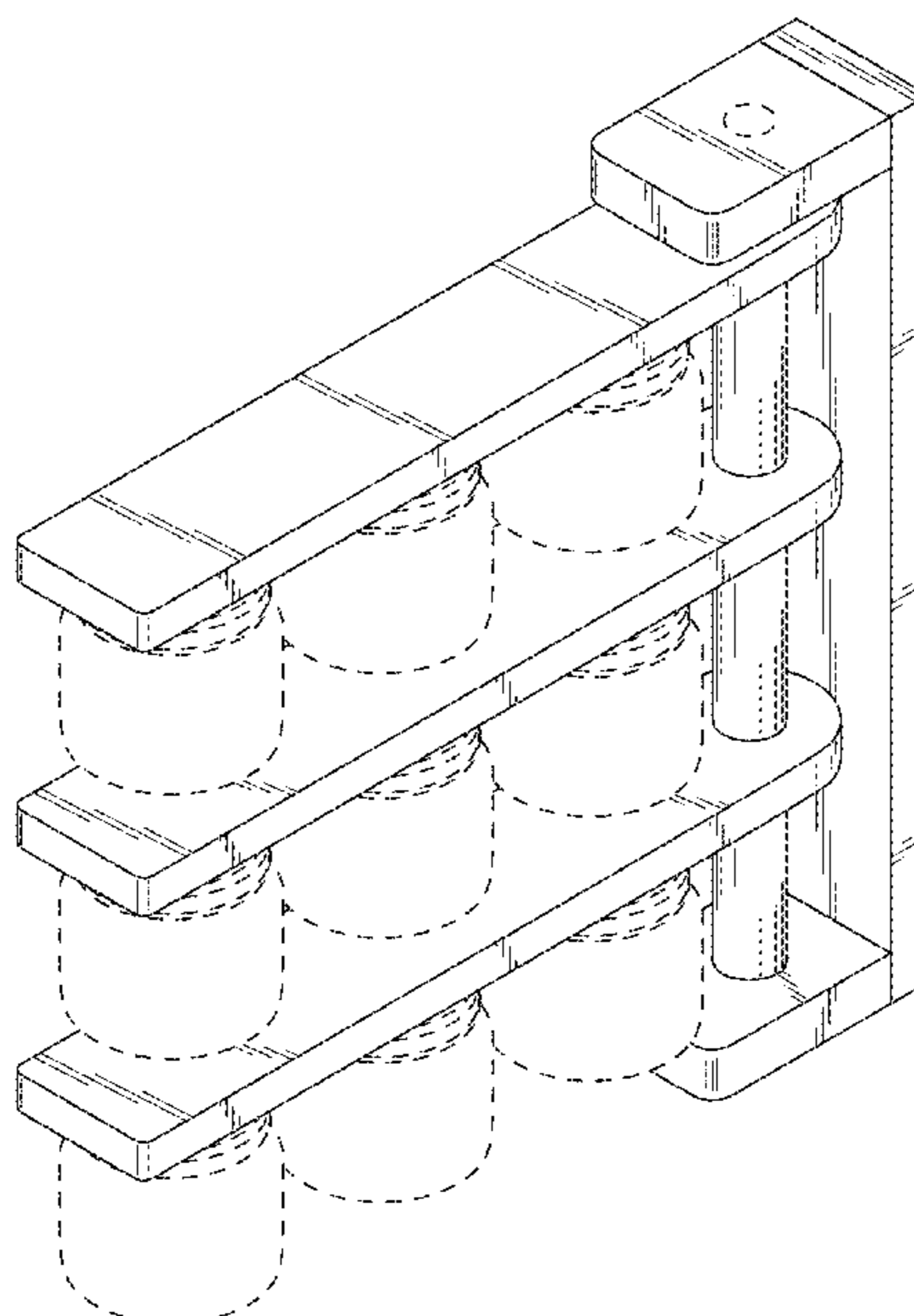
FIG. 5 is a rear side elevation view thereof;

FIG. 6 is a top side plan view thereof; and,

FIG. 7 is a bottom side plan view thereof.

The broken lines are intended to illustrate the intended use of the device and are not part of the claimed design.

1 Claim, 7 Drawing Sheets



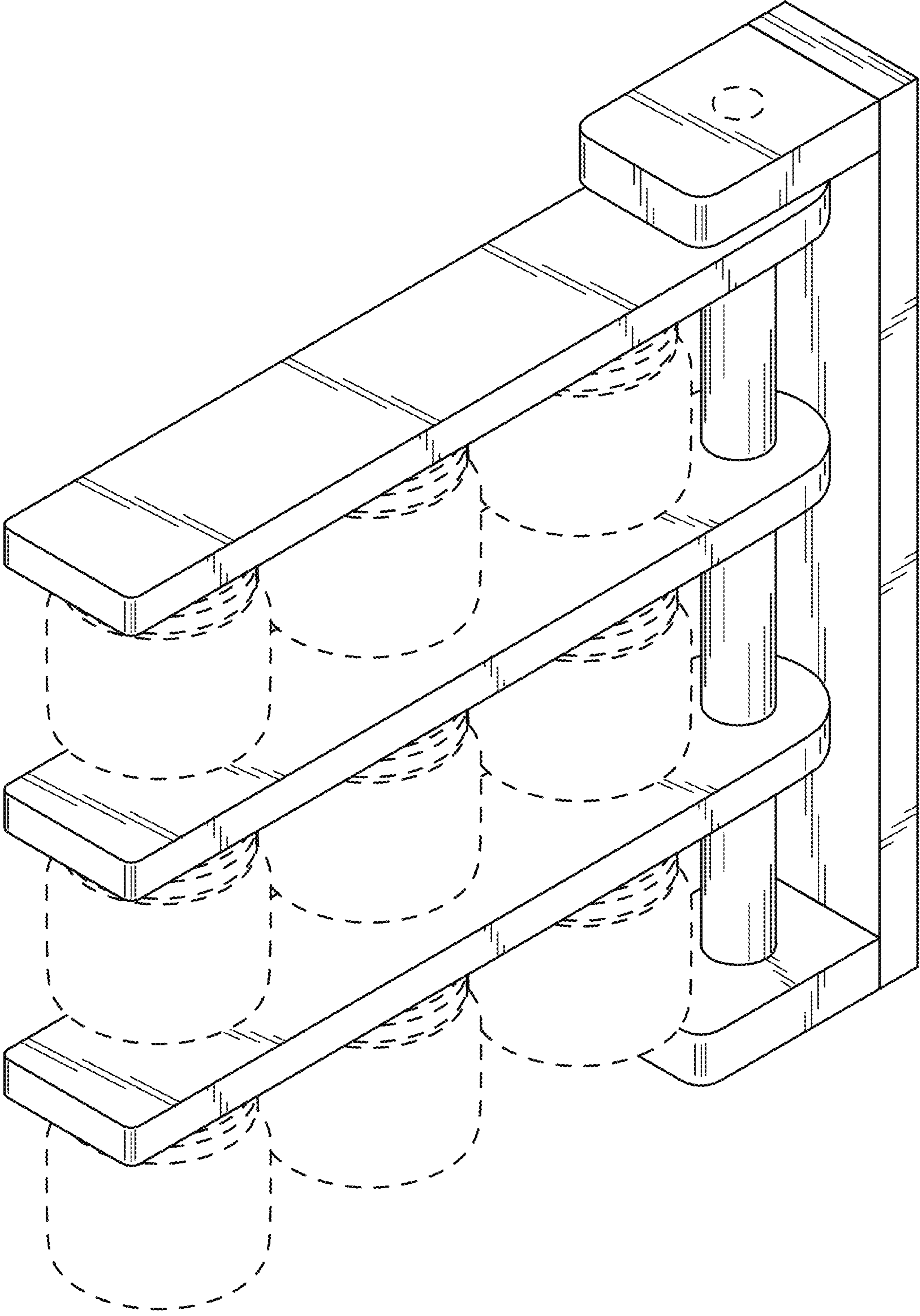


FIG. 1

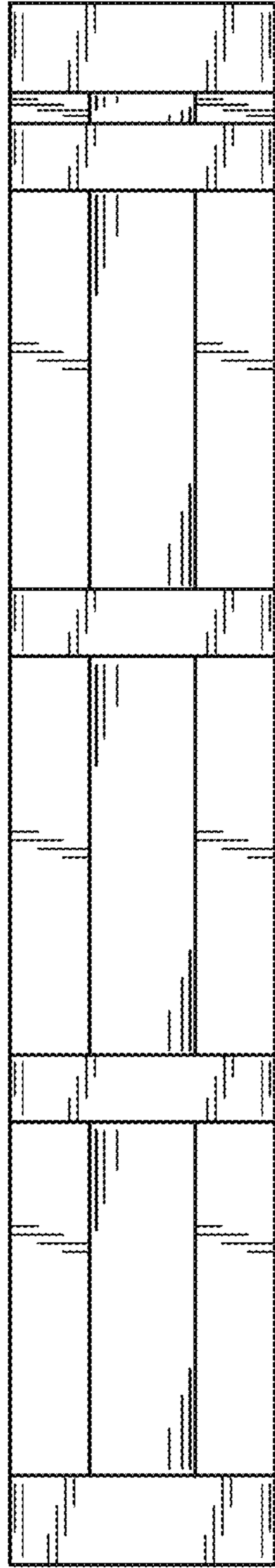


FIG. 2

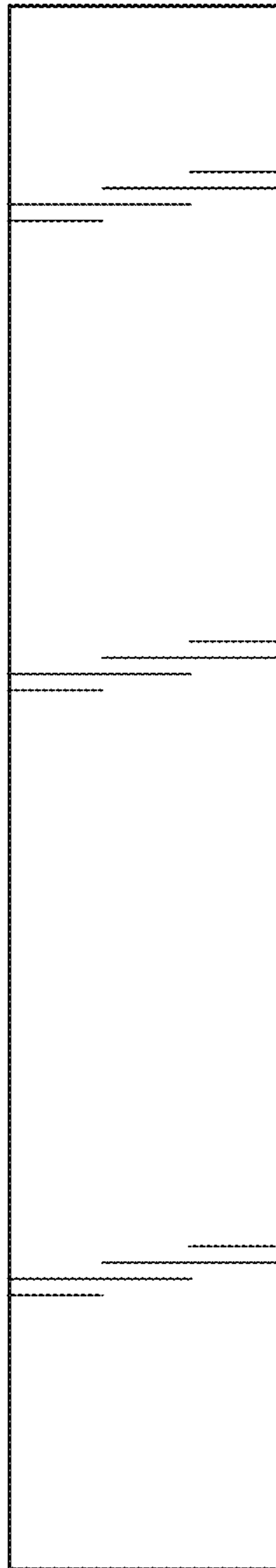


FIG. 3

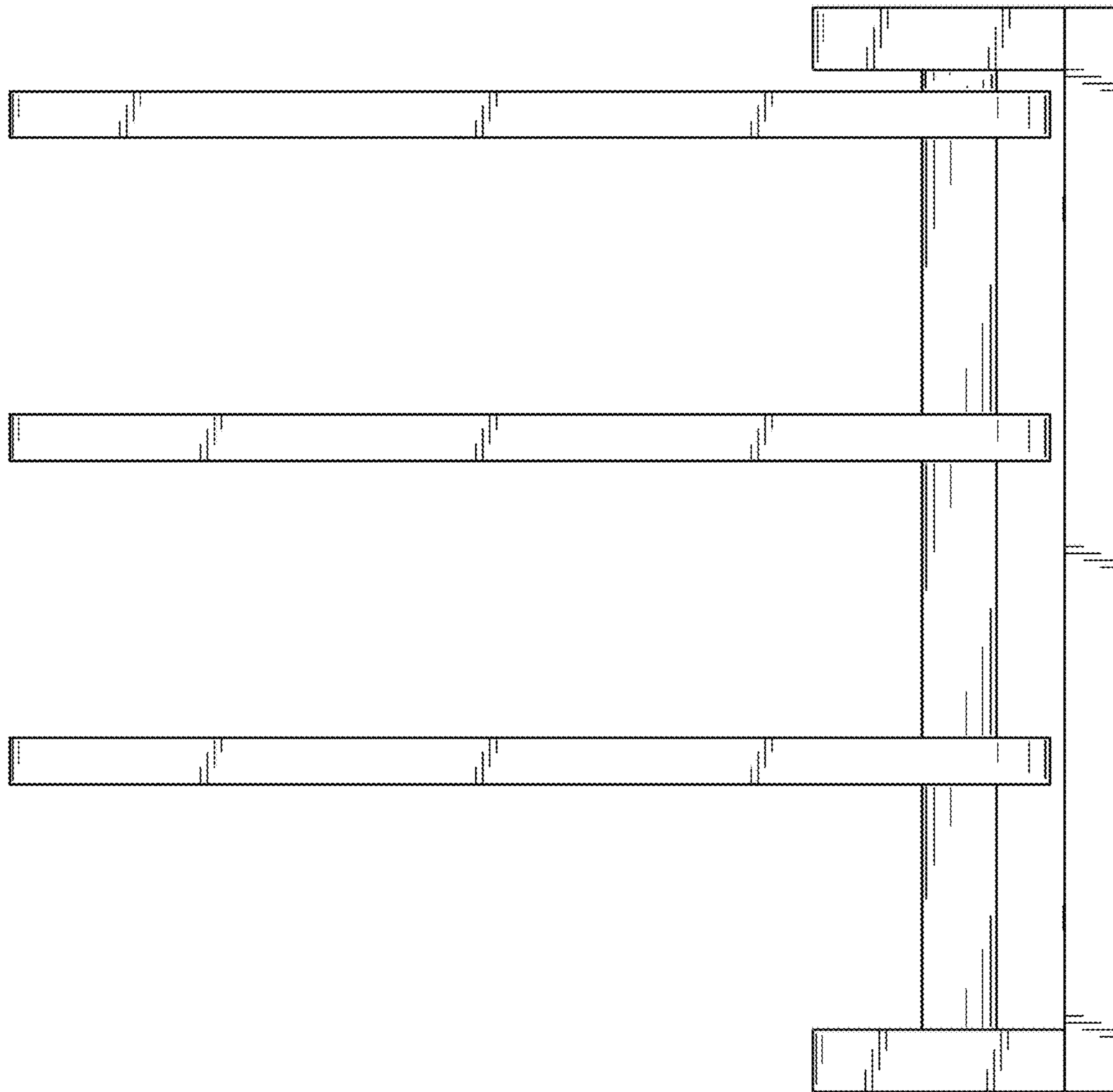


FIG. 4

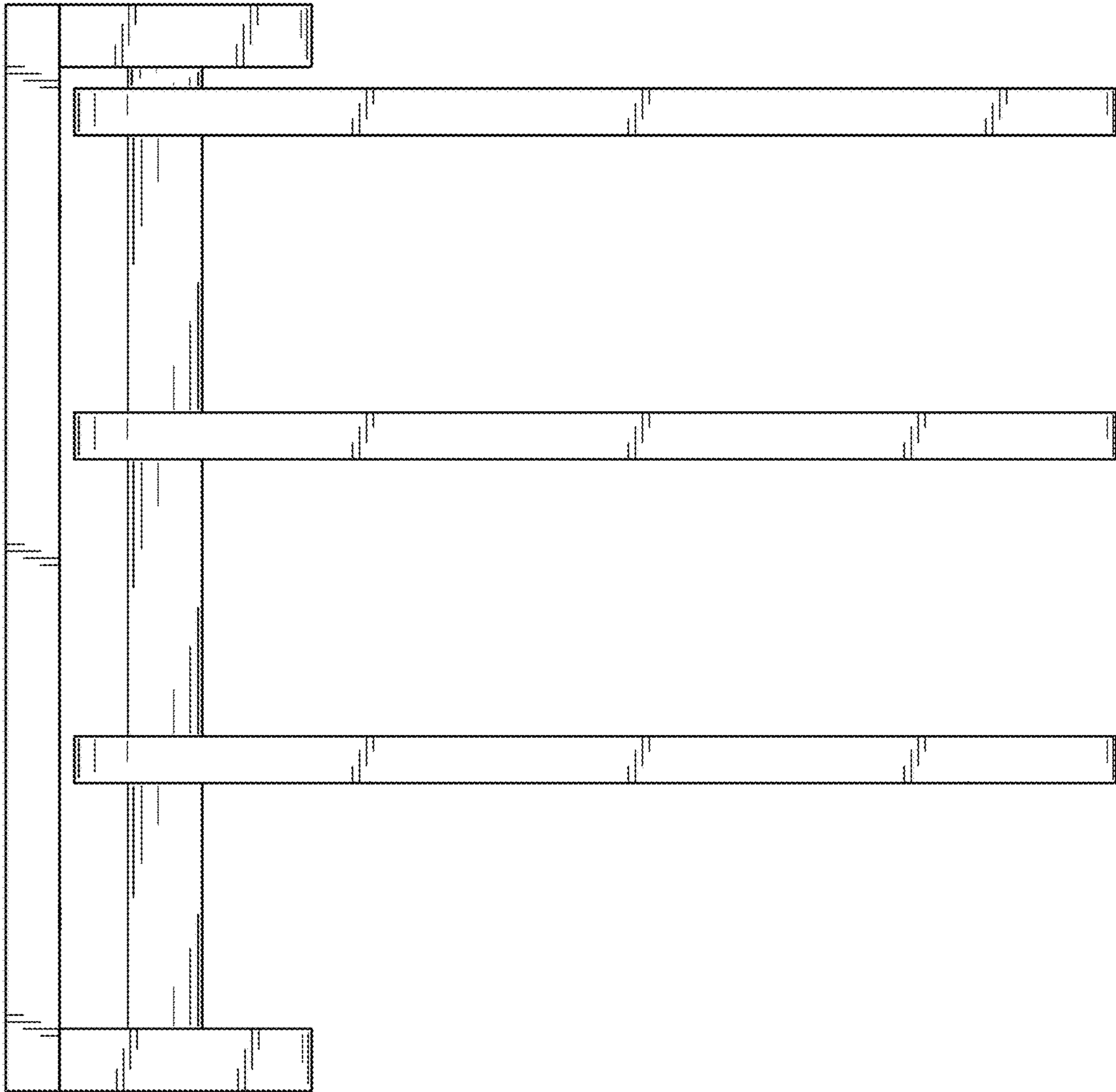


FIG. 5

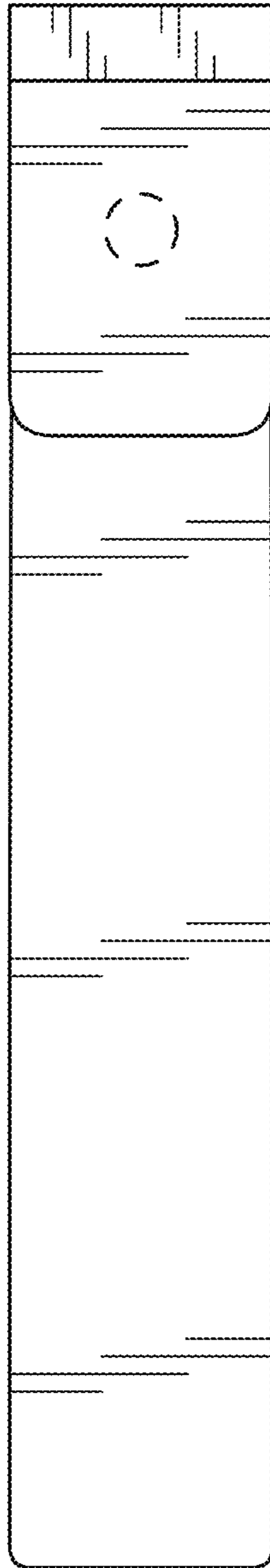


FIG. 6

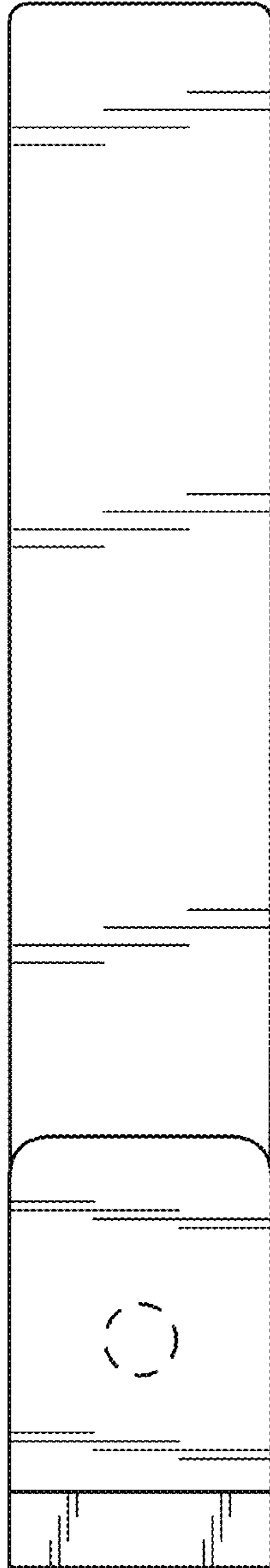


FIG. 7