



US00D805361S

(12) **United States Design Patent** (10) **Patent No.:** **US D805,361 S**
Bellacicco (45) **Date of Patent:** **** Dec. 19, 2017**

(54) **DIE FOR MAKING A GARLIC KNOT ROLL**

(71) Applicant: **Joseph V. Bellacicco**, Elmhurst, NY
(US)

(72) Inventor: **Joseph V. Bellacicco**, Elmhurst, NY
(US)

(**) Term: **15 Years**

(21) Appl. No.: **29/543,233**

(22) Filed: **Oct. 22, 2015**

(51) **LOC (10) Cl.** **07-04**

(52) **U.S. Cl.**
USPC **D7/672**

(58) **Field of Classification Search**
USPC D7/672, 673-676, 357, 686-688,
D7/409-410, 354, 387; D15/90, 80;
99/426; D1/102-105; D9/757; 426/241
CPC A47J 43/20; A47J 43/282; A47J 43/283;
A47J 43/288; A22C 7/00; A22C 7/0076;
A22C 7/0023; A22C 7/0046; A21B
3/132; A21B 3/133; A21B 3/138; A21B
3/139; A63B 45/00; A63B 45/02; A23G
9/26; A23G 9/503; A23G 9/221; A23G
9/083; A21C 11/106; A21C 11/10; A21C
11/04; A21C 11/08; A21C 11/12

See application file for complete search history.

(56) **References Cited**

U.S. PATENT DOCUMENTS

398,139 A * 2/1889 Eaton A21C 11/106
30/301
4,789,555 A * 12/1988 Judd A47J 43/20
30/301

D436,799 S * 1/2001 Bellacicco D7/387
D558,531 S * 1/2008 Ewald D7/611
D680,816 S * 4/2013 Patel D7/672
D680,817 S * 4/2013 Patel D7/672
D685,221 S * 7/2013 Buzzelli D7/354
2014/0120228 A1* 5/2014 Buzzelli A47J 43/20
426/512

* cited by examiner

Primary Examiner — Susan Bennett Hattan

Assistant Examiner — Brett Miller

(74) *Attorney, Agent, or Firm* — Collard & Roe, P.C.

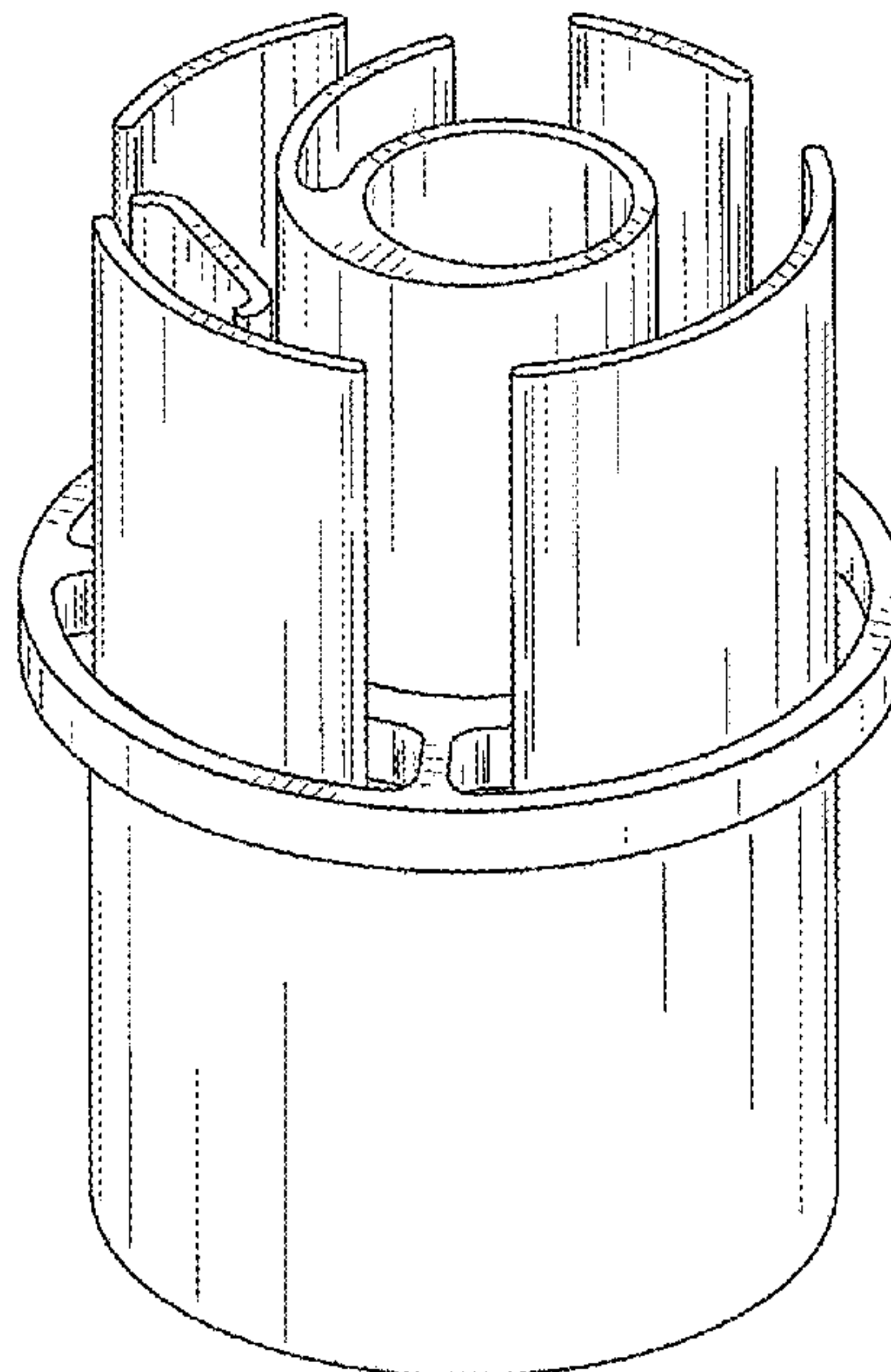
(57) **CLAIM**

The ornamental design for a die for making a garlic knot roll, as shown and described.

DESCRIPTION

FIG. 1 shows a top-front perspective view of my design for a die for making a garlic knot roll;
FIG. 2 shows a top-right perspective view thereof with respect to the orientation of FIG. 1;
FIG. 3 shows a front side view thereof;
FIG. 4 shows an opposite side view thereof;
FIG. 5 shows a right side view thereof;
FIG. 6 is a left side view thereof;
FIG. 7 is a top side view thereof;
FIG. 8 is a bottom side view thereof; and,
FIG. 9 is a bottom left side perspective view thereof.

1 Claim, 5 Drawing Sheets



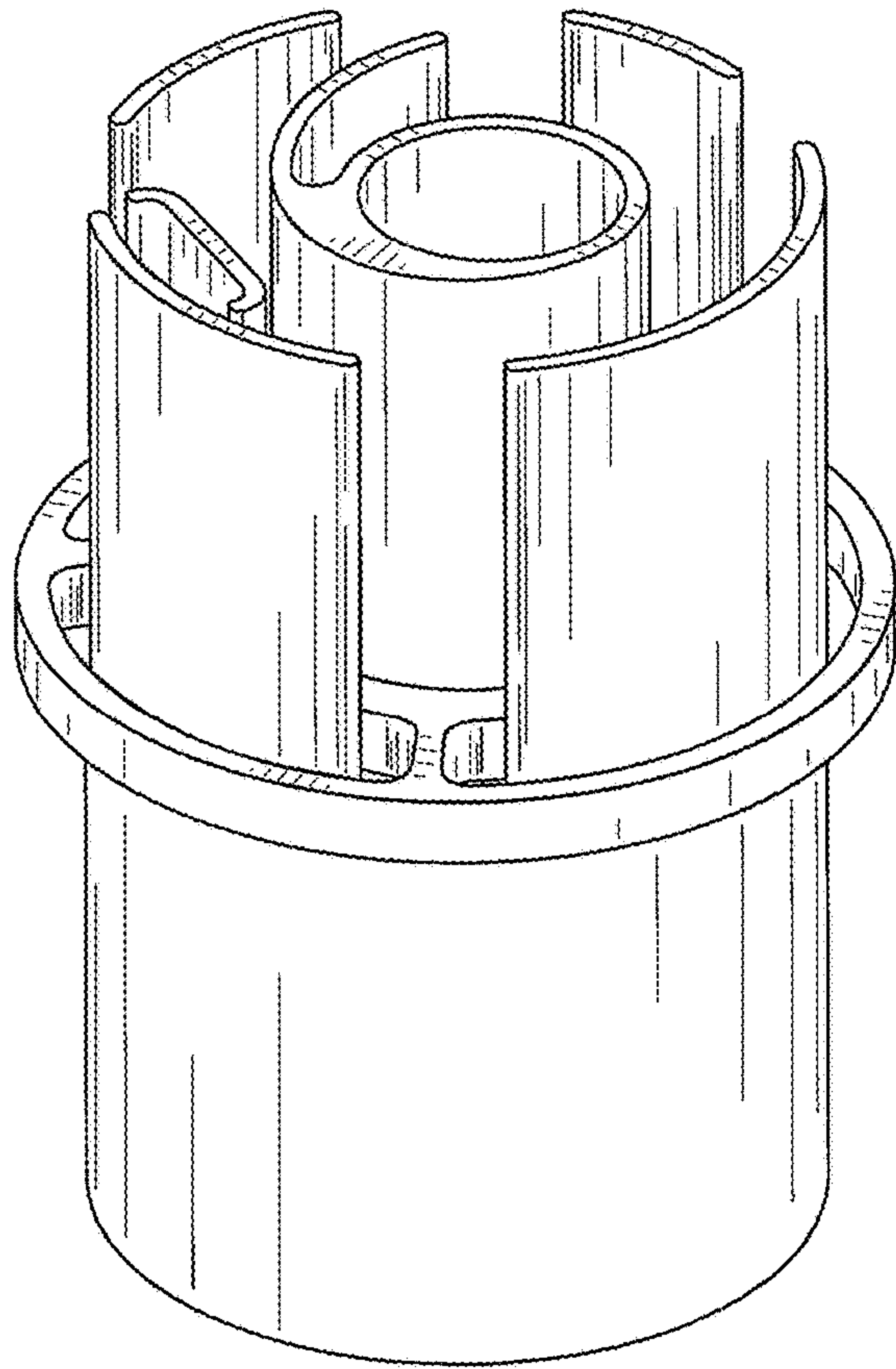


FIG. 1

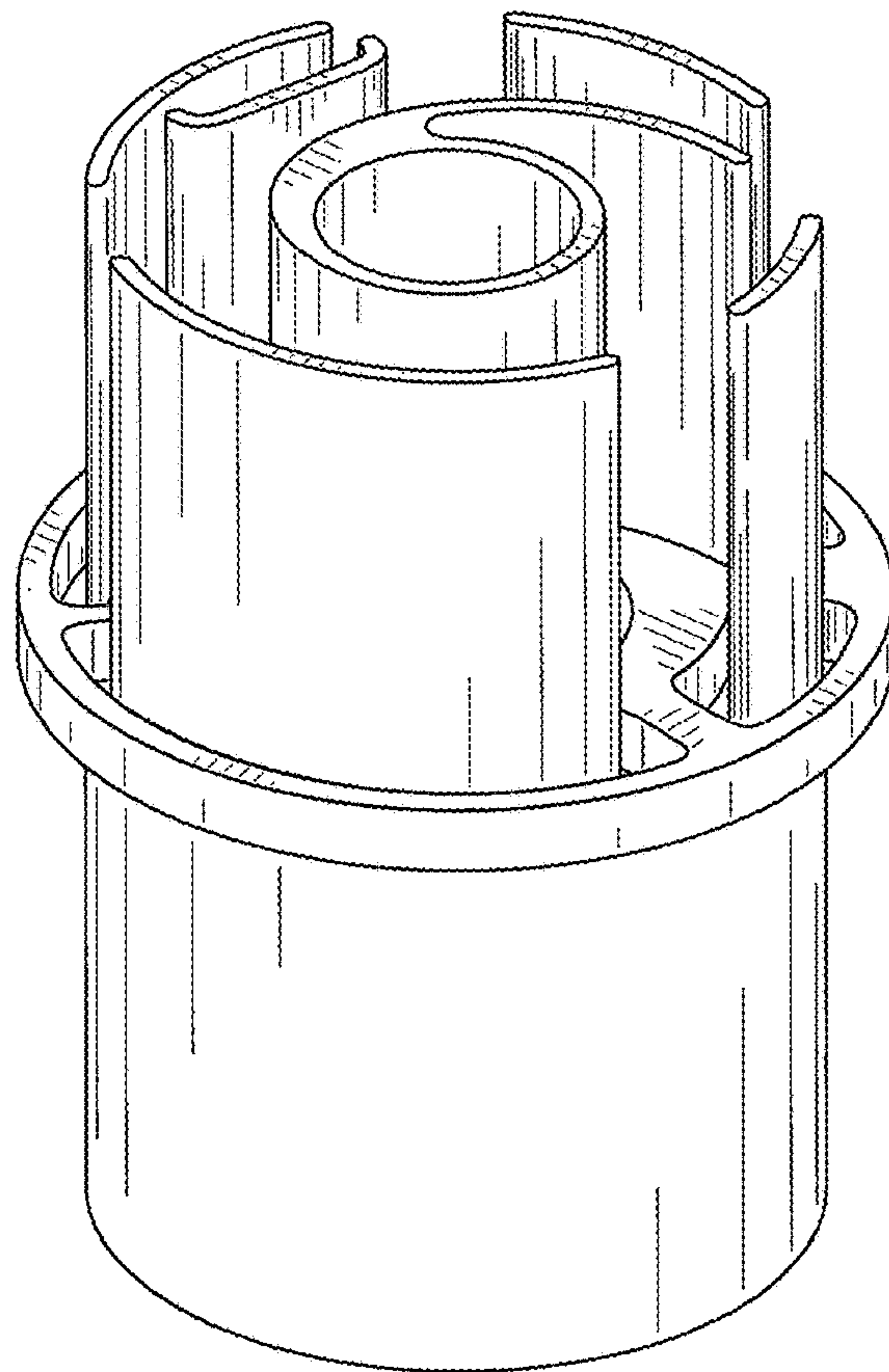


FIG. 2

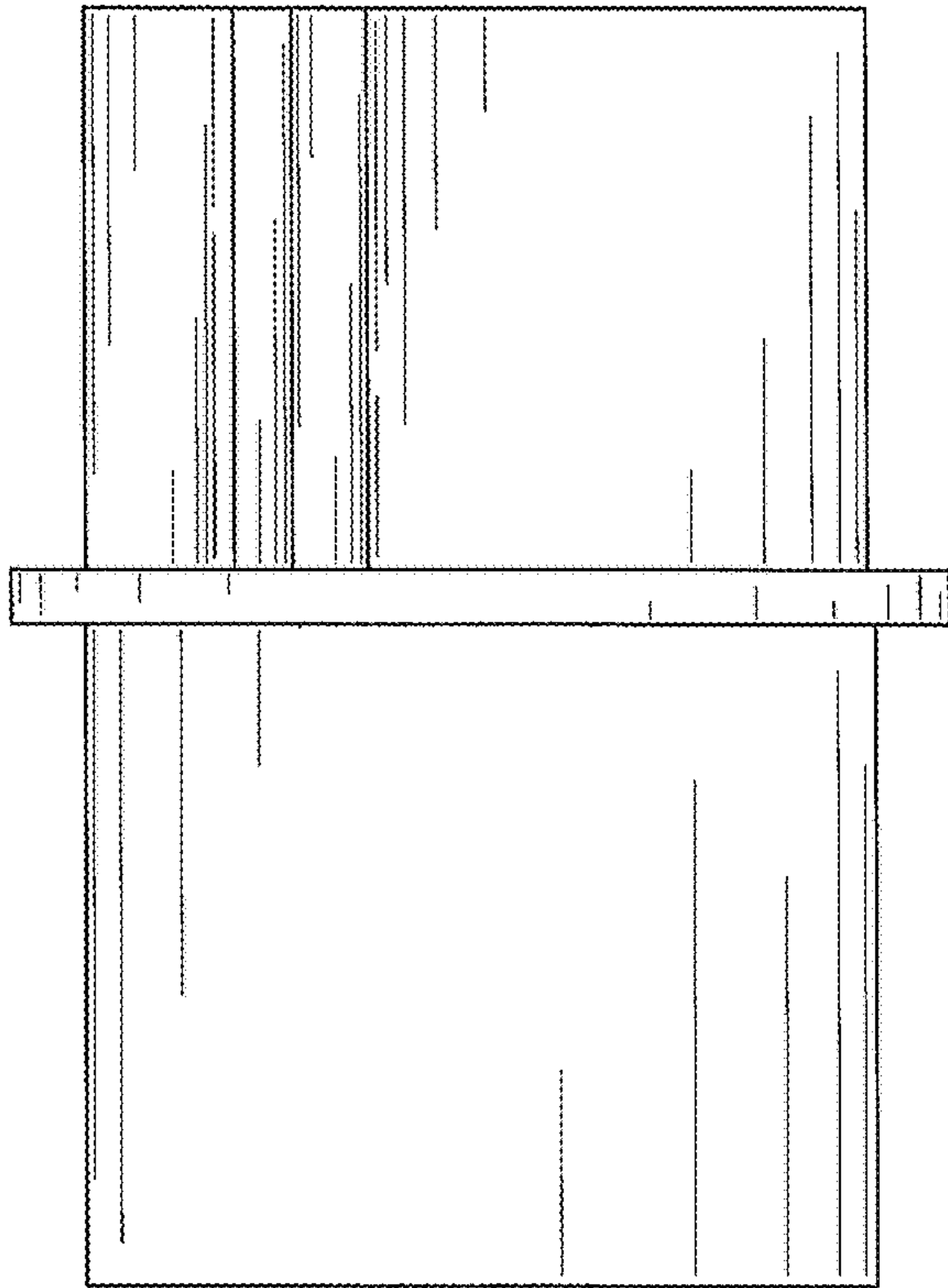


FIG. 3

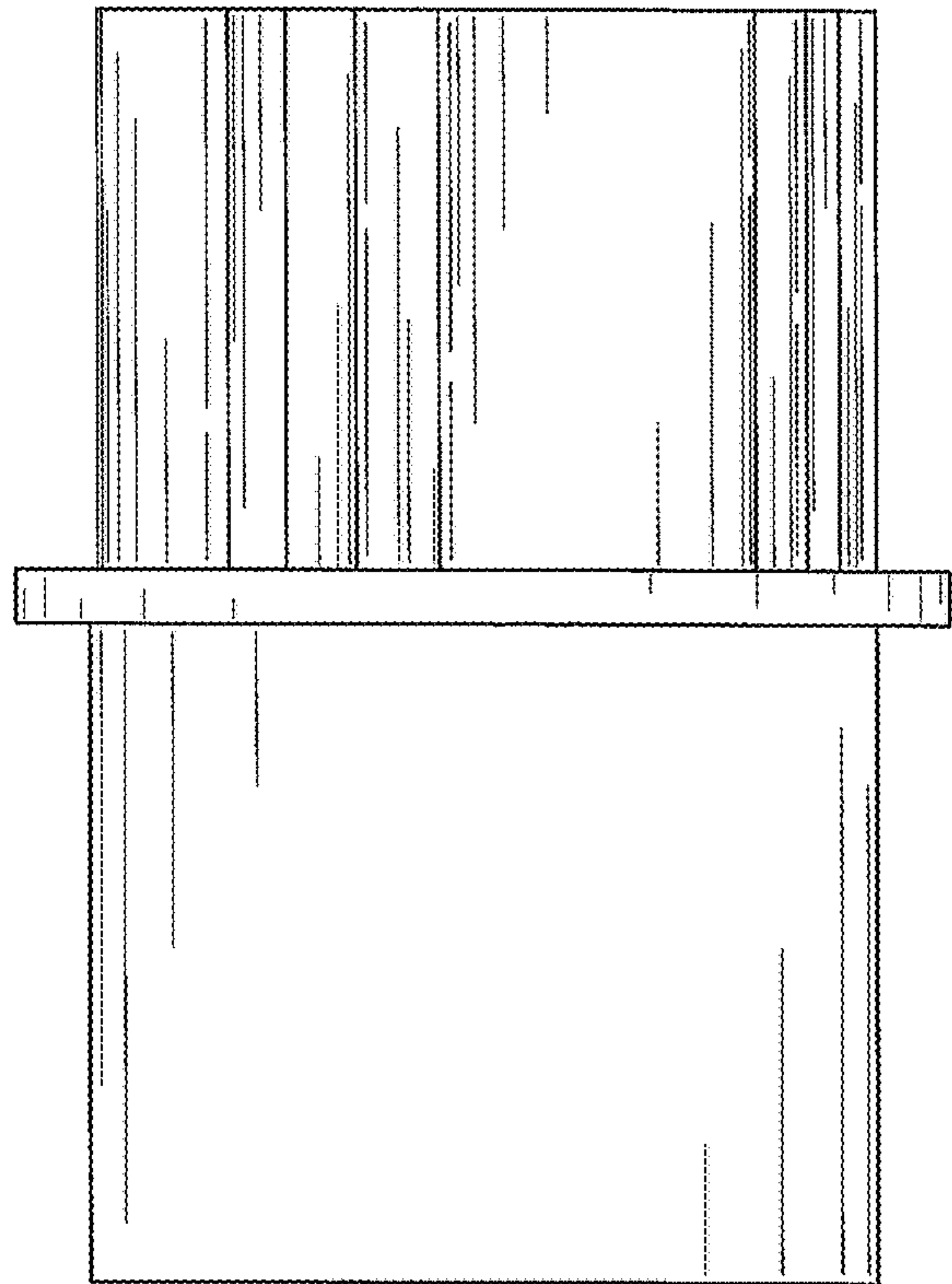


FIG. 4

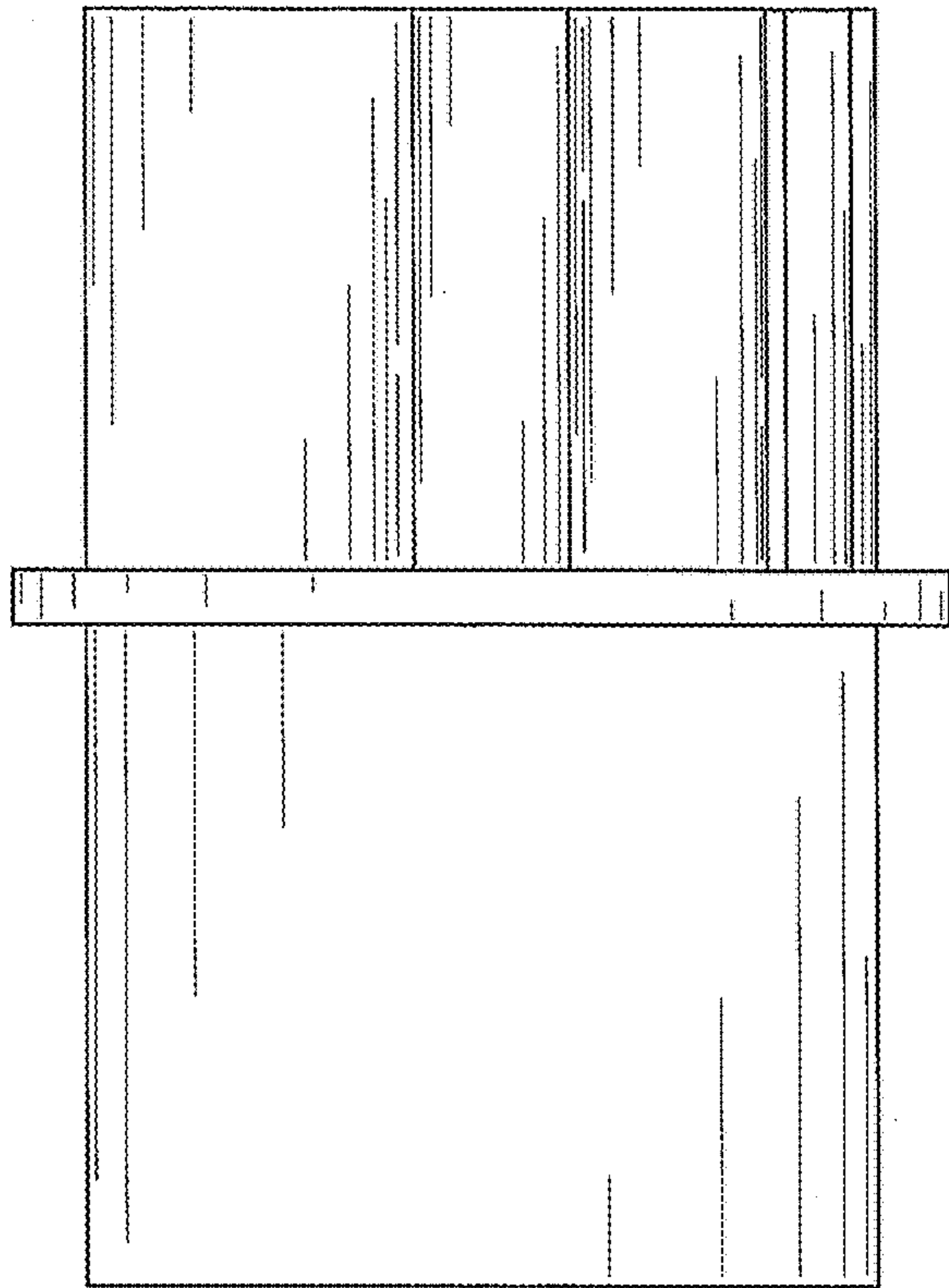


FIG. 5

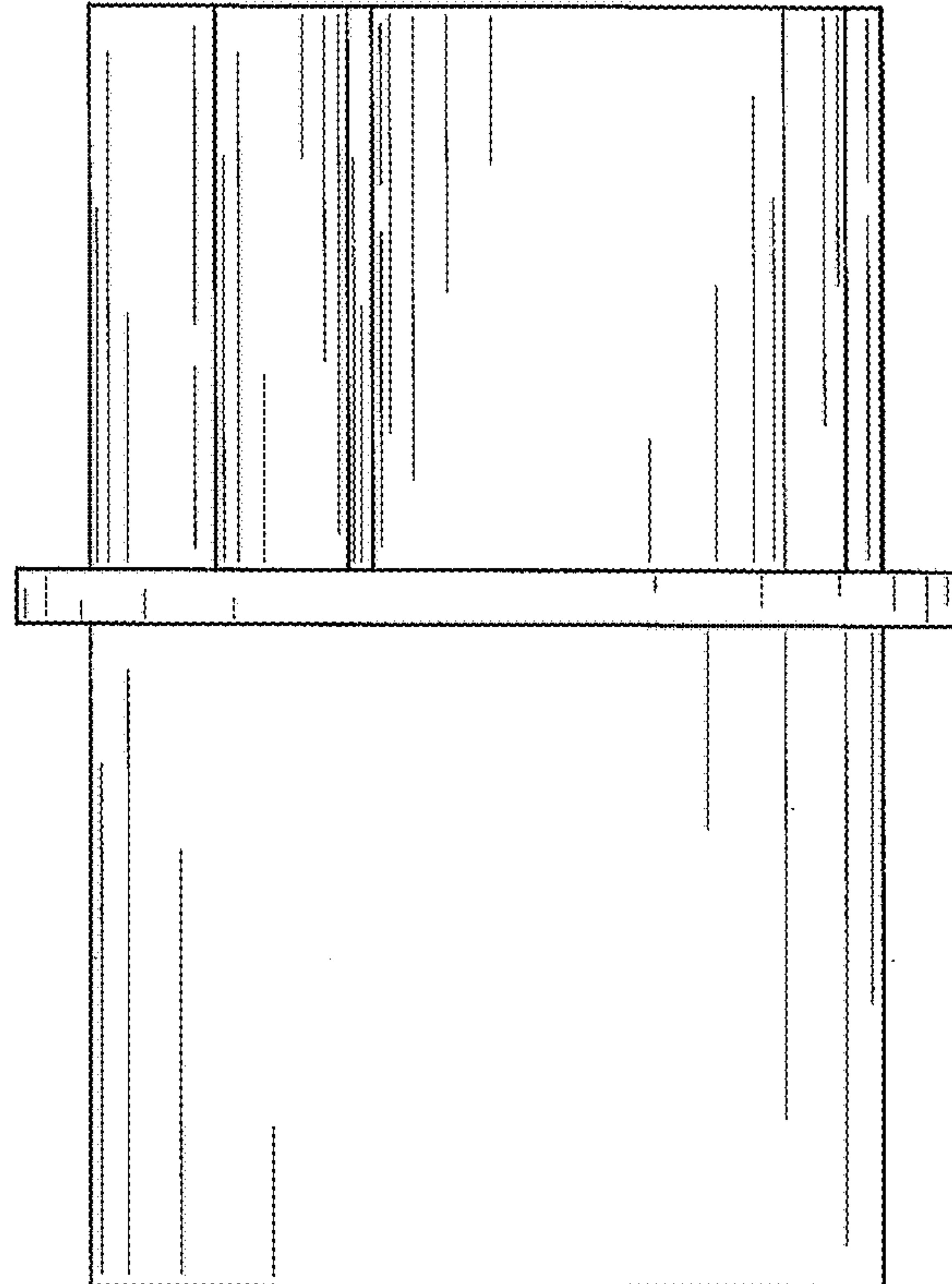


FIG. 6

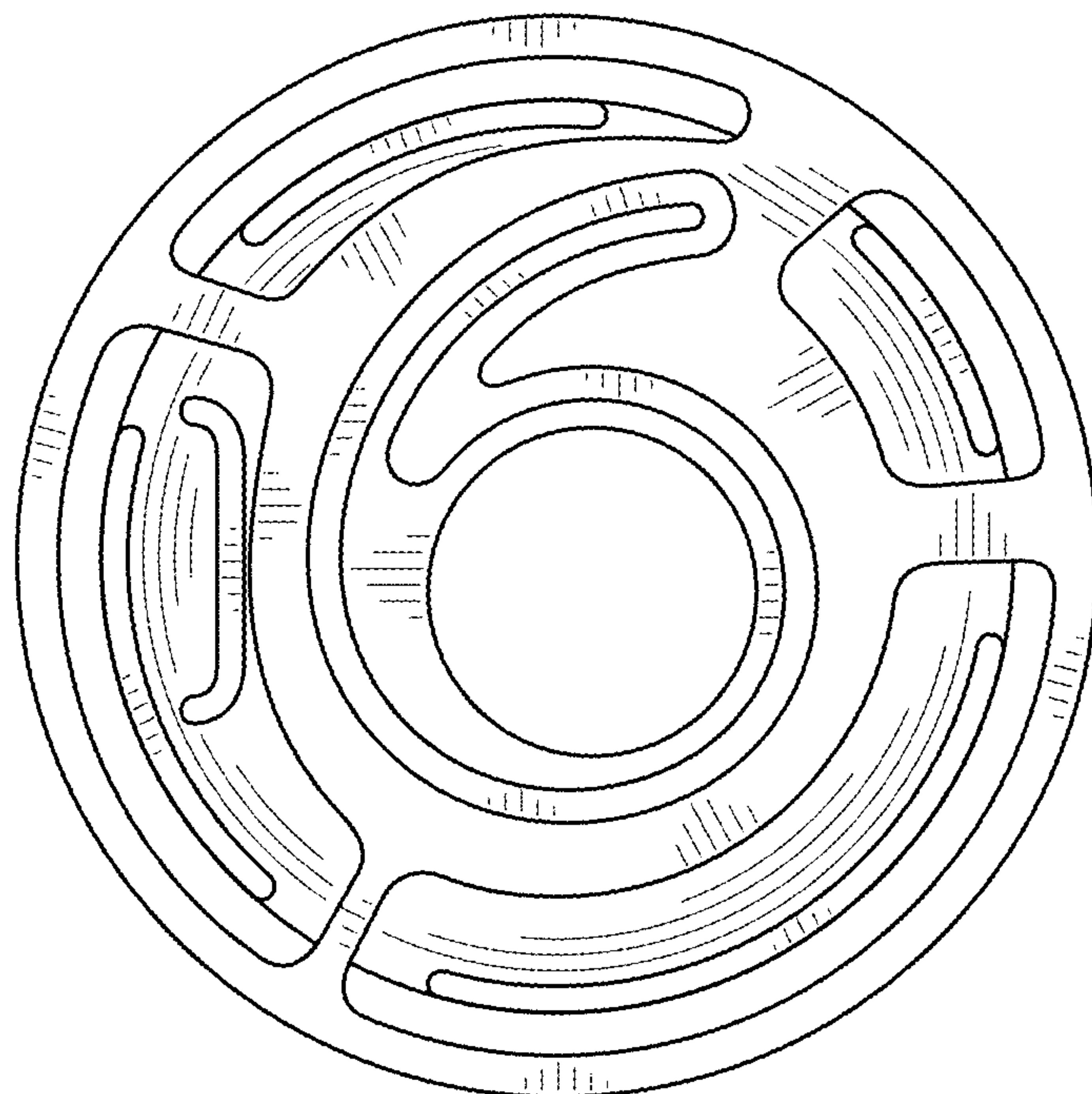


FIG. 7

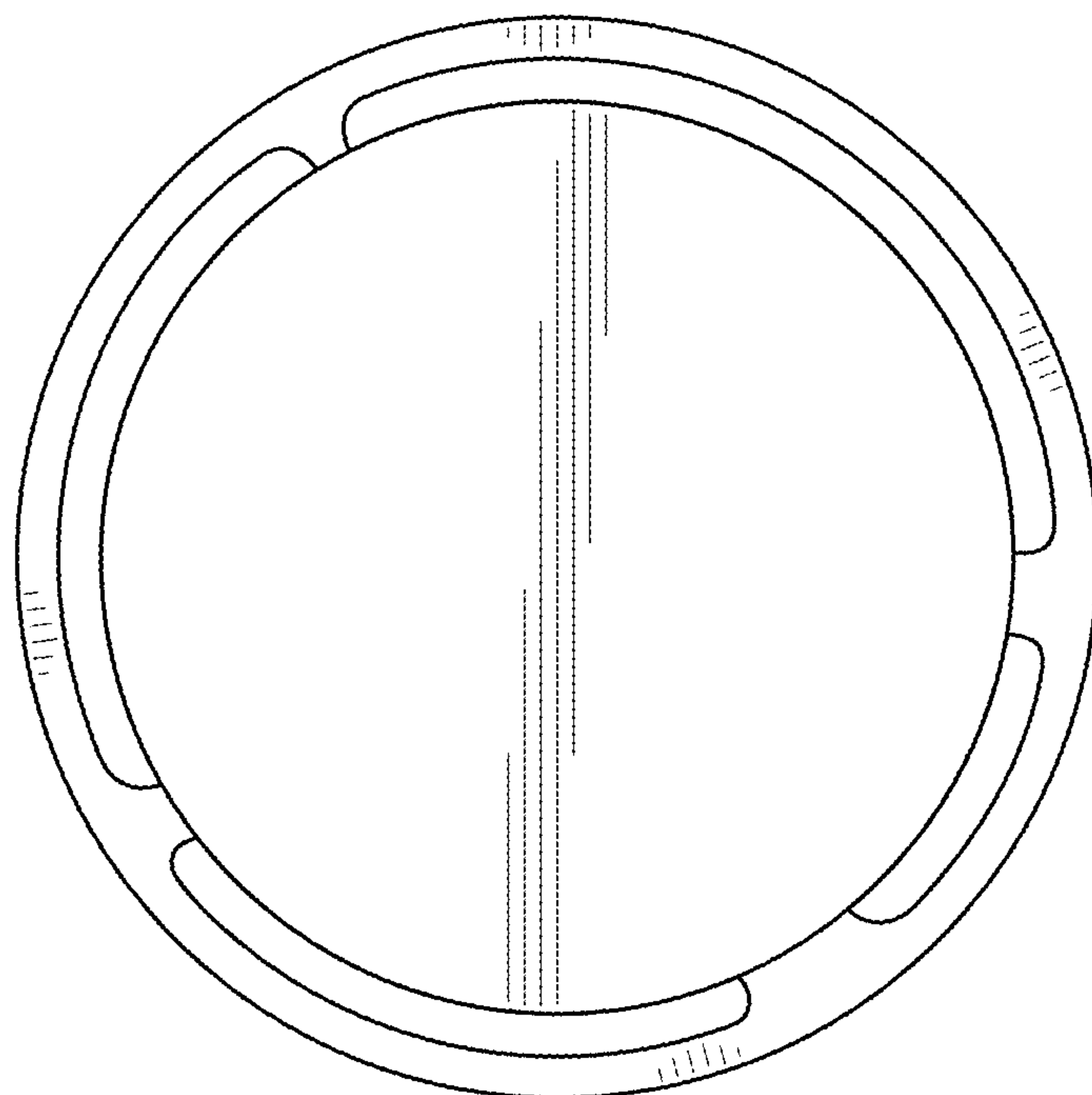


FIG. 8

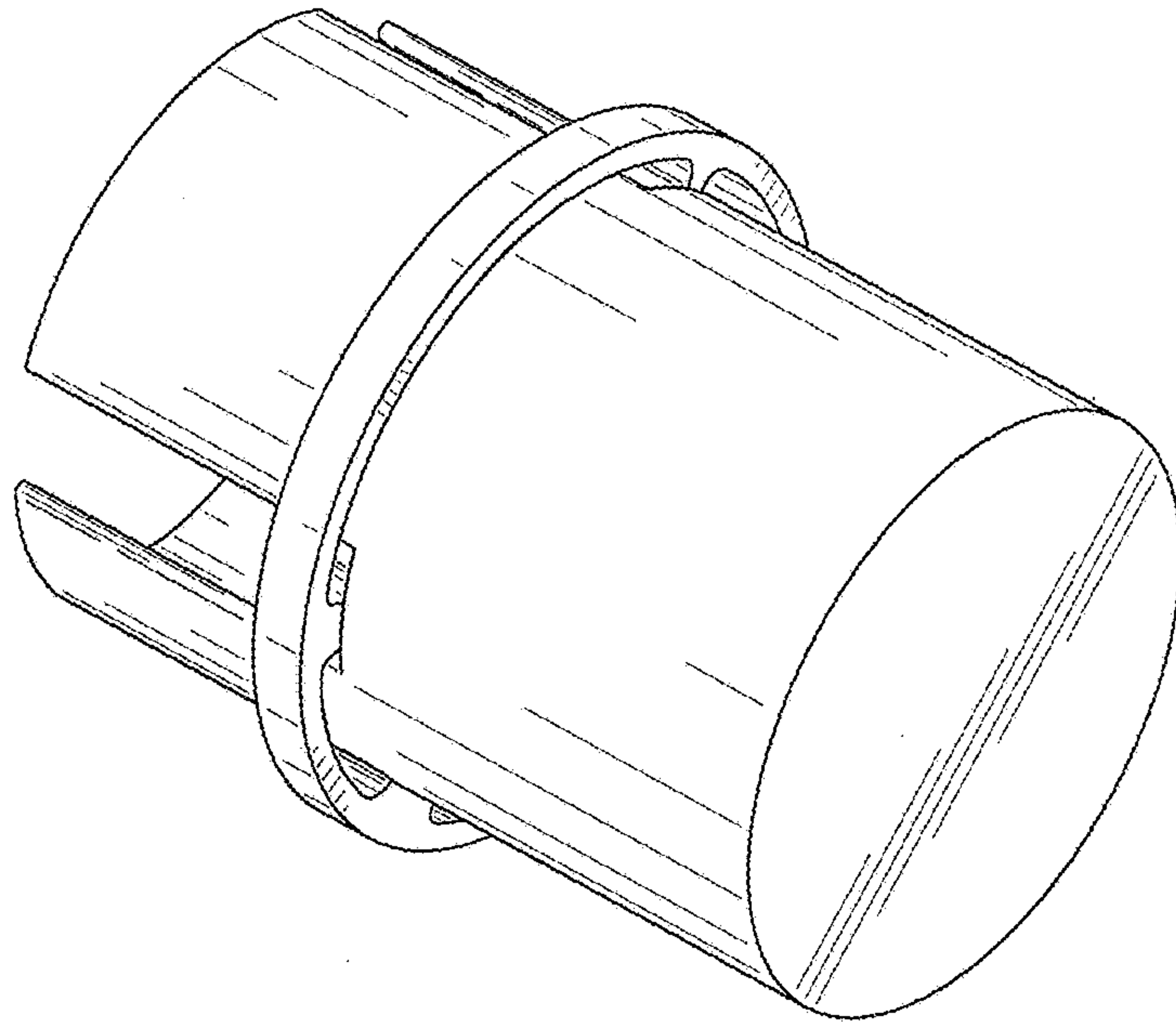


FIG. 9