



US00D805360S

(12) **United States Design Patent**  
**Freeman**

(10) **Patent No.:** **US D805,360 S**

(45) **Date of Patent:** **\*\* Dec. 19, 2017**

(54) **COMBINED FOOD PAN COLANDER AND DIVIDER**

(71) Applicant: **CAMBRO MANUFACTURING COMPANY**, Huntington Beach, CA (US)

(72) Inventor: **Ernest F. Freeman**, Garden Grove, CA (US)

(73) Assignee: **Cambro Manufacturing**, Huntington Beach, CA (US)

(\*\*) Term: **15 Years**

(21) Appl. No.: **29/575,123**

(22) Filed: **Aug. 22, 2016**

(51) **LOC (10) Cl.** ..... **07-04**

(52) **U.S. Cl.**  
USPC ..... **D7/667**

(58) **Field of Classification Search**  
USPC ..... D7/368, 369, 387, 388, 396.1, 396.3, D7/400, 412, 500, 550.1, 667; D9/434, D9/435, 447, 455, 456, 499; D23/260, D23/261; D32/55, 56  
CPC ..... A47J 43/22; A47J 43/24  
See application file for complete search history.

(56) **References Cited**

**U.S. PATENT DOCUMENTS**

D32,223 S *	2/1900	Sutton	.....	D7/387
1,622,652 A *	3/1927	Lang	.....	E03F 5/0407
				210/164
2,701,027 A *	2/1955	Scoville	.....	E01C 11/227
				210/163
D339,415 S *	9/1993	Kiras	.....	D23/397
D419,036 S *	1/2000	Kwong	.....	D7/667
D459,050 S *	6/2002	Meyer	.....	D34/38
D503,313 S *	3/2005	Shamoon	.....	D7/667
D546,119 S *	7/2007	Dodge	.....	D7/388

D598,717 S *	8/2009	Jalet	.....	D7/667
D651,482 S *	1/2012	Kern	.....	D7/667
D708,895 S *	7/2014	Hoyord	.....	D7/388
D730,731 S *	6/2015	Bewley, Jr.	.....	D9/447
D736,353 S *	8/2015	Lucas	.....	D23/261
D759,791 S *	6/2016	Hull	.....	D23/261

(Continued)

**OTHER PUBLICATIONS**

Lauhyseng. Polycarbonate Food Insert Pans 1/1 Drain Shelf Only. 2017 [earliest online date], [site visited Aug. 22, 2017]. Available from Internet, URL:[http://www.lauchseng.com/ecom/index.php?route=product/product&path=60\\_478&product\\_id=1051](http://www.lauchseng.com/ecom/index.php?route=product/product&path=60_478&product_id=1051).\*

(Continued)

*Primary Examiner* — Robert M. Spear  
*Assistant Examiner* — Darcey E Heflin

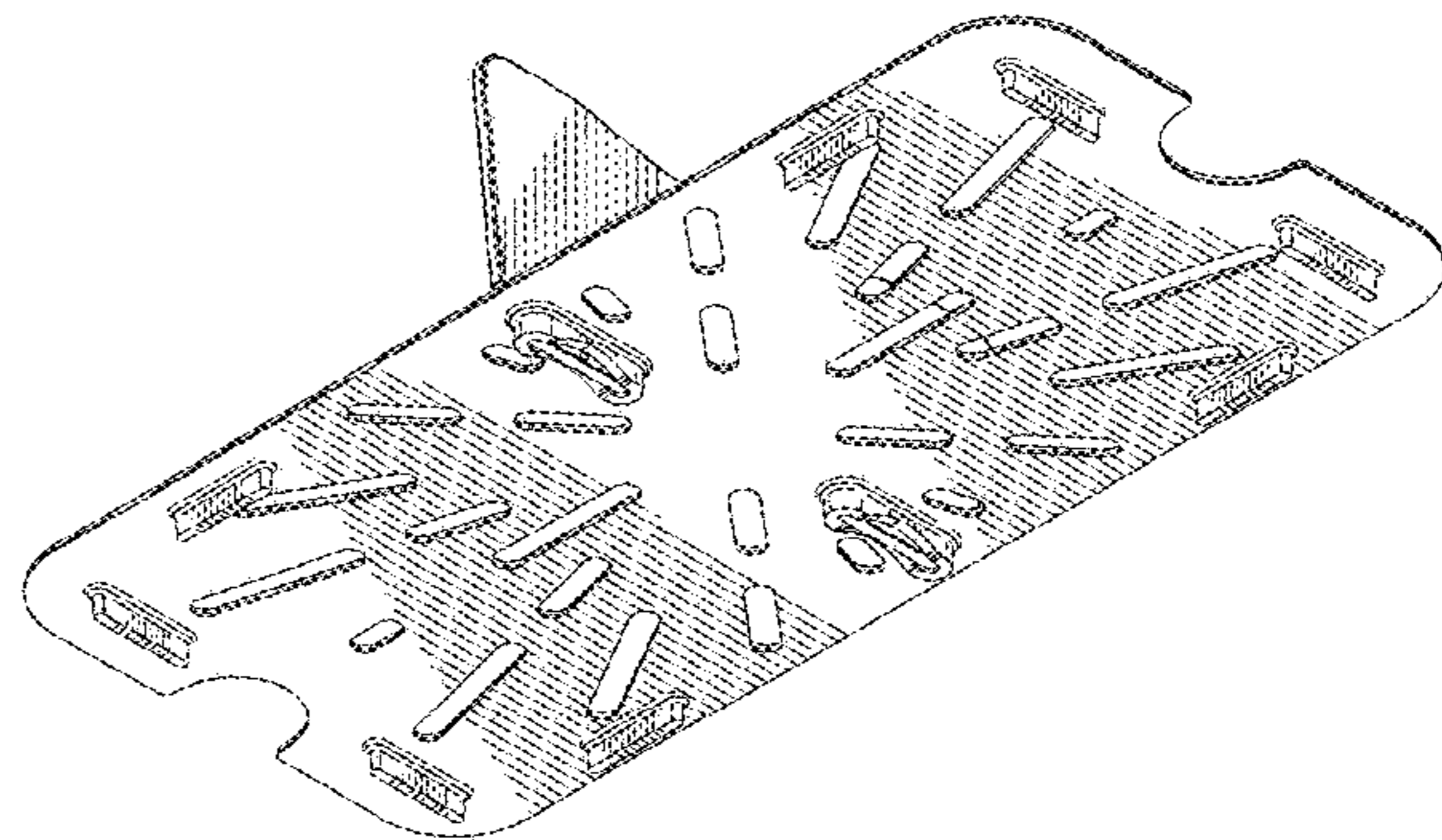
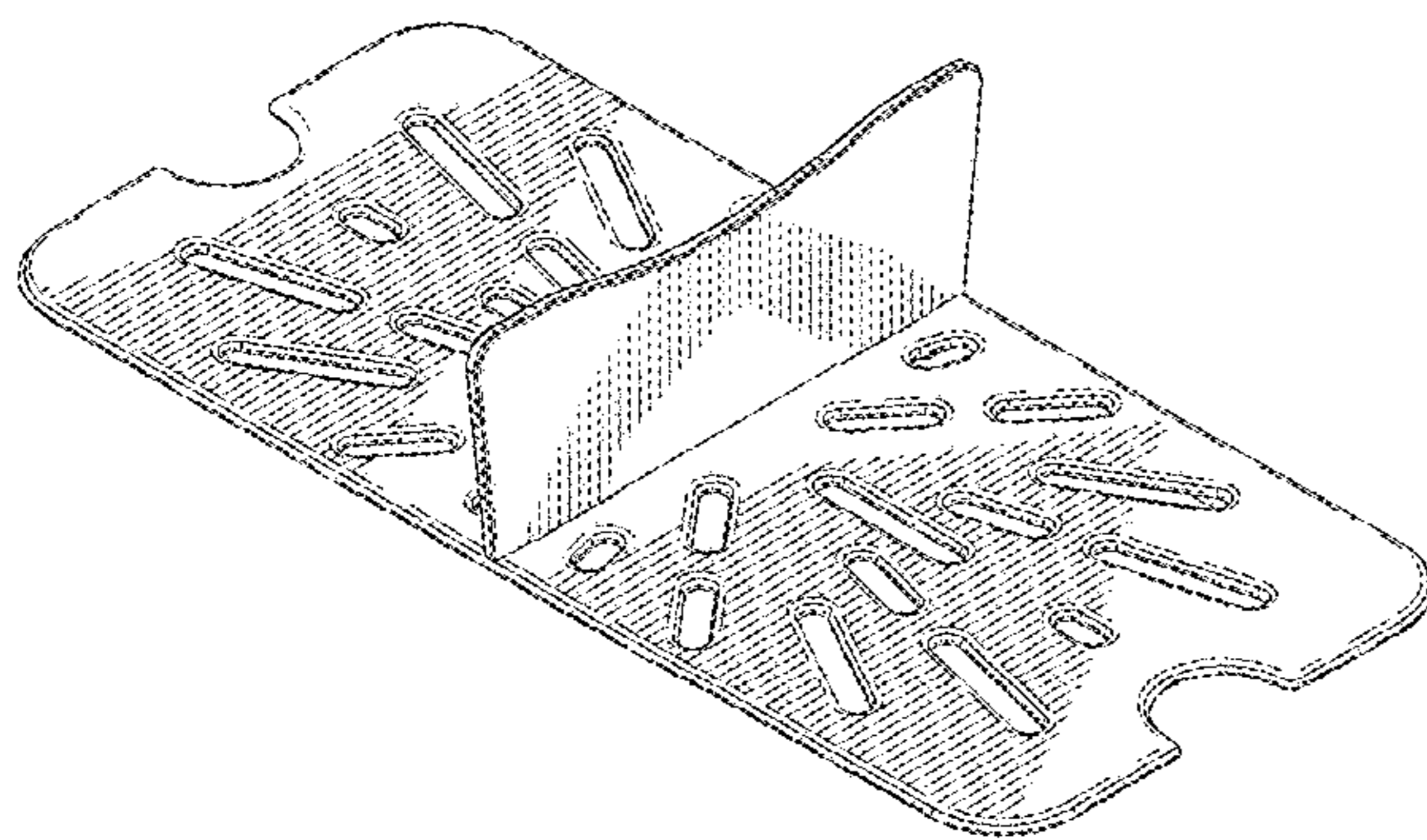
(57) **CLAIM**

I claim the ornamental design for a combined food pan colander and divider, as shown and described.

**DESCRIPTION**

FIG. 1 is a perspective view of the combined food pan colander and divider.  
FIG. 2 is a top plan view.  
FIG. 3 is a front elevation view.  
FIG. 4 is a right side elevation view.  
FIG. 5 is a left side elevation view.  
FIG. 6 is a rear elevation view.  
FIG. 7 is a bottom plan view.  
FIG. 8 is a bottom perspective view.  
FIG. 9 is a perspective view showing the combined food pan colander and divider in a broken line two handled pan for showing the environment in which it is used; and,  
FIG. 10 is a perspective view showing the combined food pan colander and divider in a broken line one handled food pan for showing the environment in which it is used.

**1 Claim, 7 Drawing Sheets**



(56)

**References Cited**

U.S. PATENT DOCUMENTS

D788,888 S \* 6/2017 Hull ..... D23/261  
D790,291 S \* 6/2017 Durmus ..... D7/667

OTHER PUBLICATIONS

Restaurant Supply. Cambro Food Pan Drain Shelves. 2017 [earliest online date], [site visited Aug. 22, 2017]. Available from Internet, URL:<https://www.restaurantsupply.com/cambro-food-pan-drain-shelves>.\*

\* cited by examiner

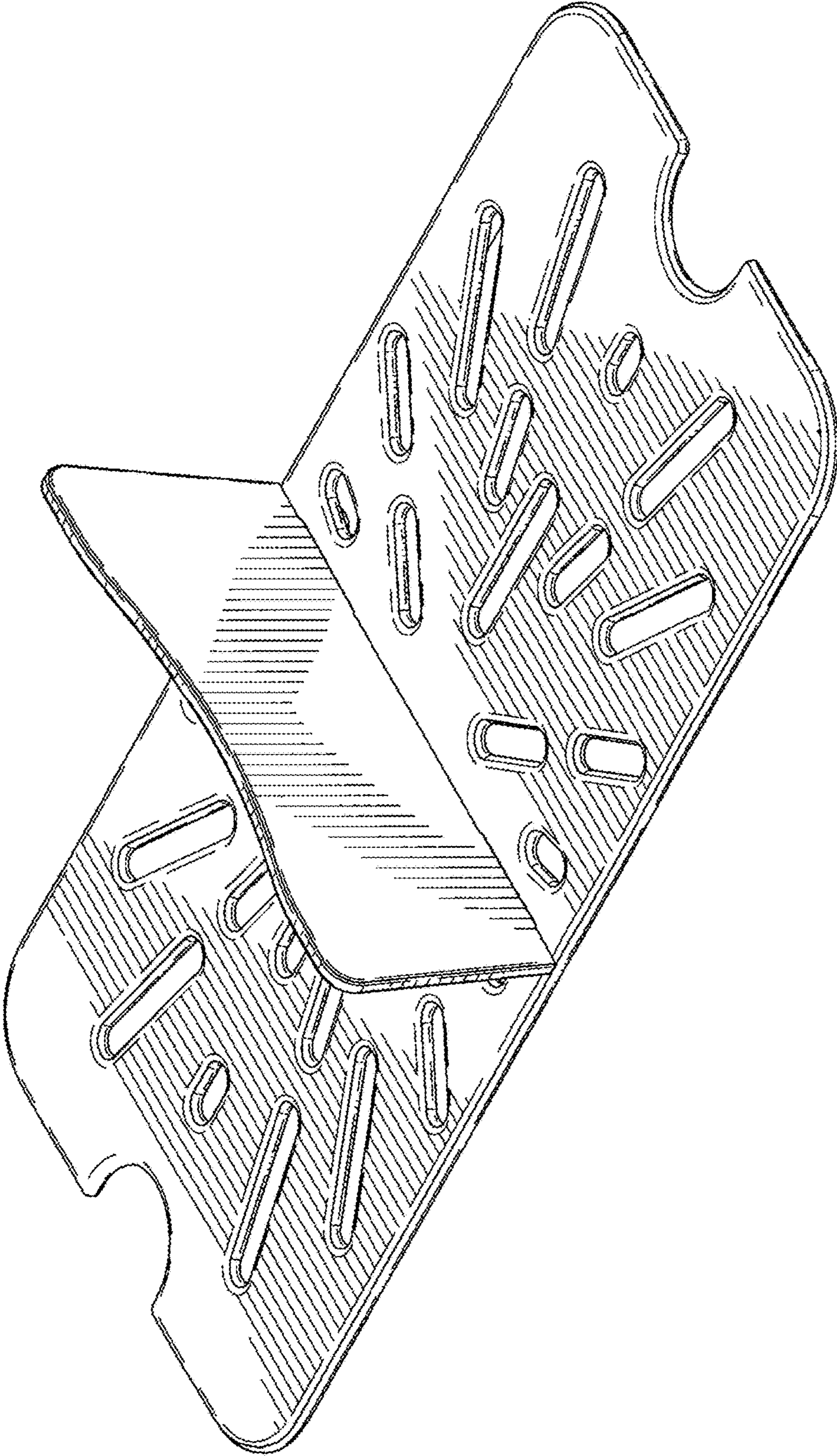


FIG. 1

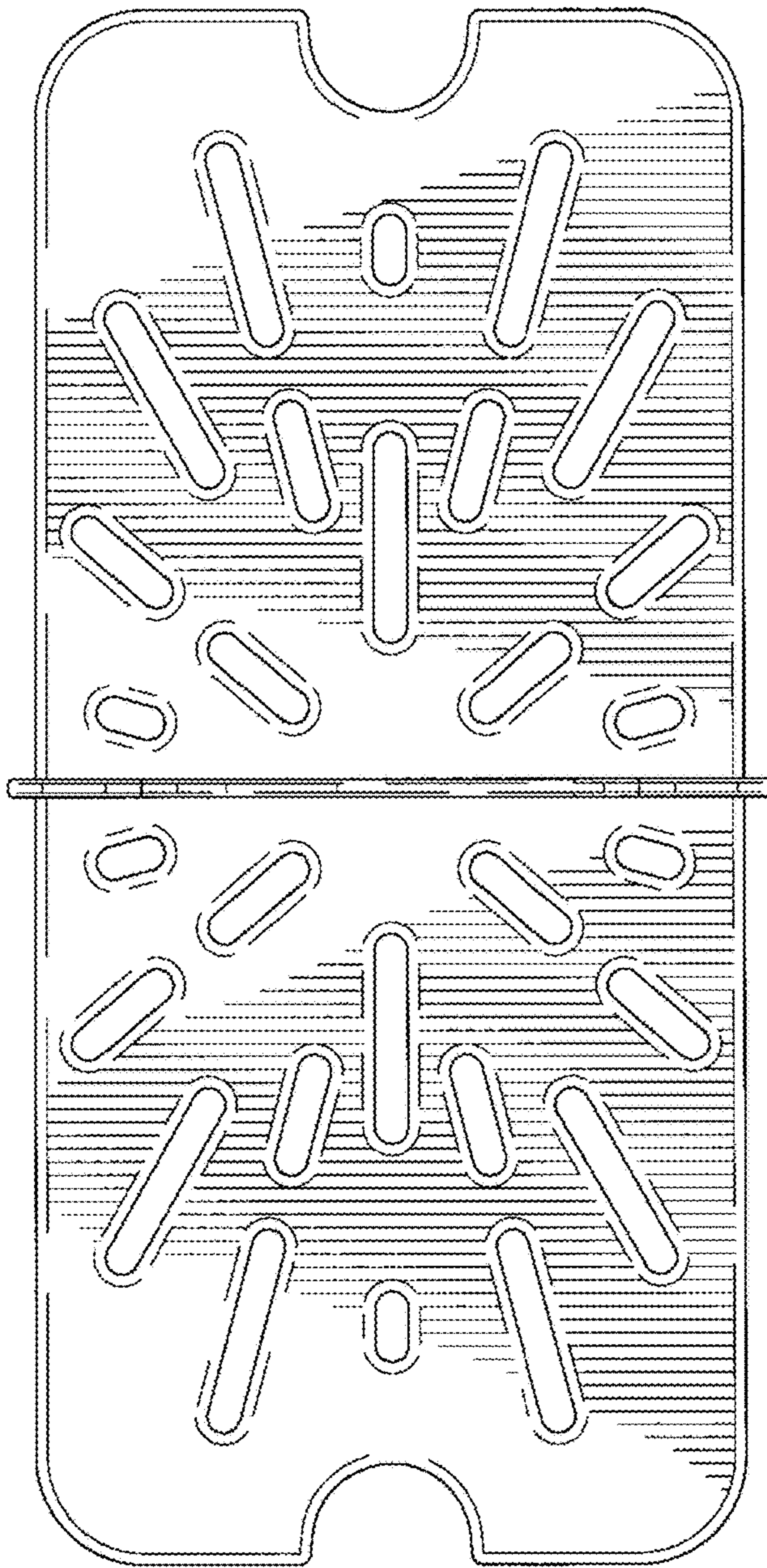


FIG. 2

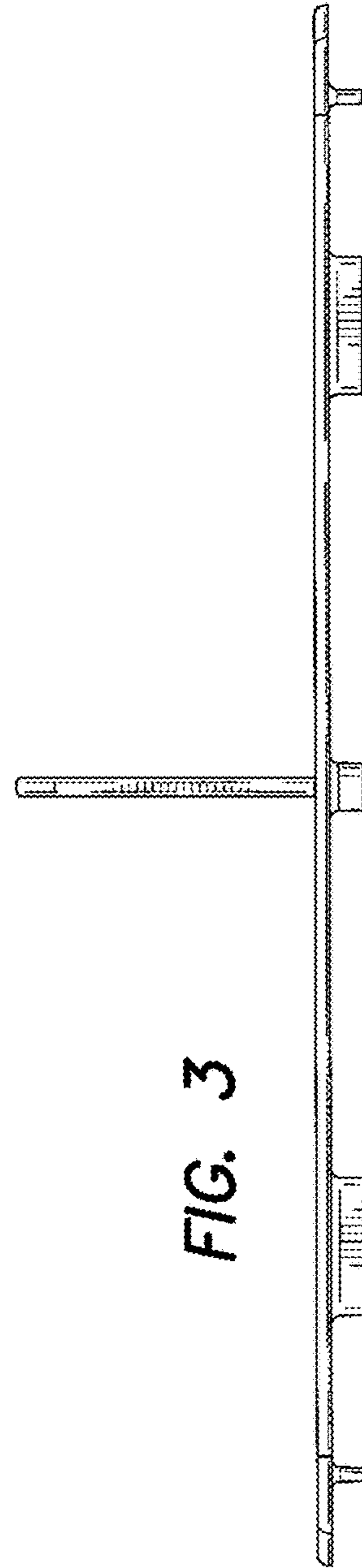
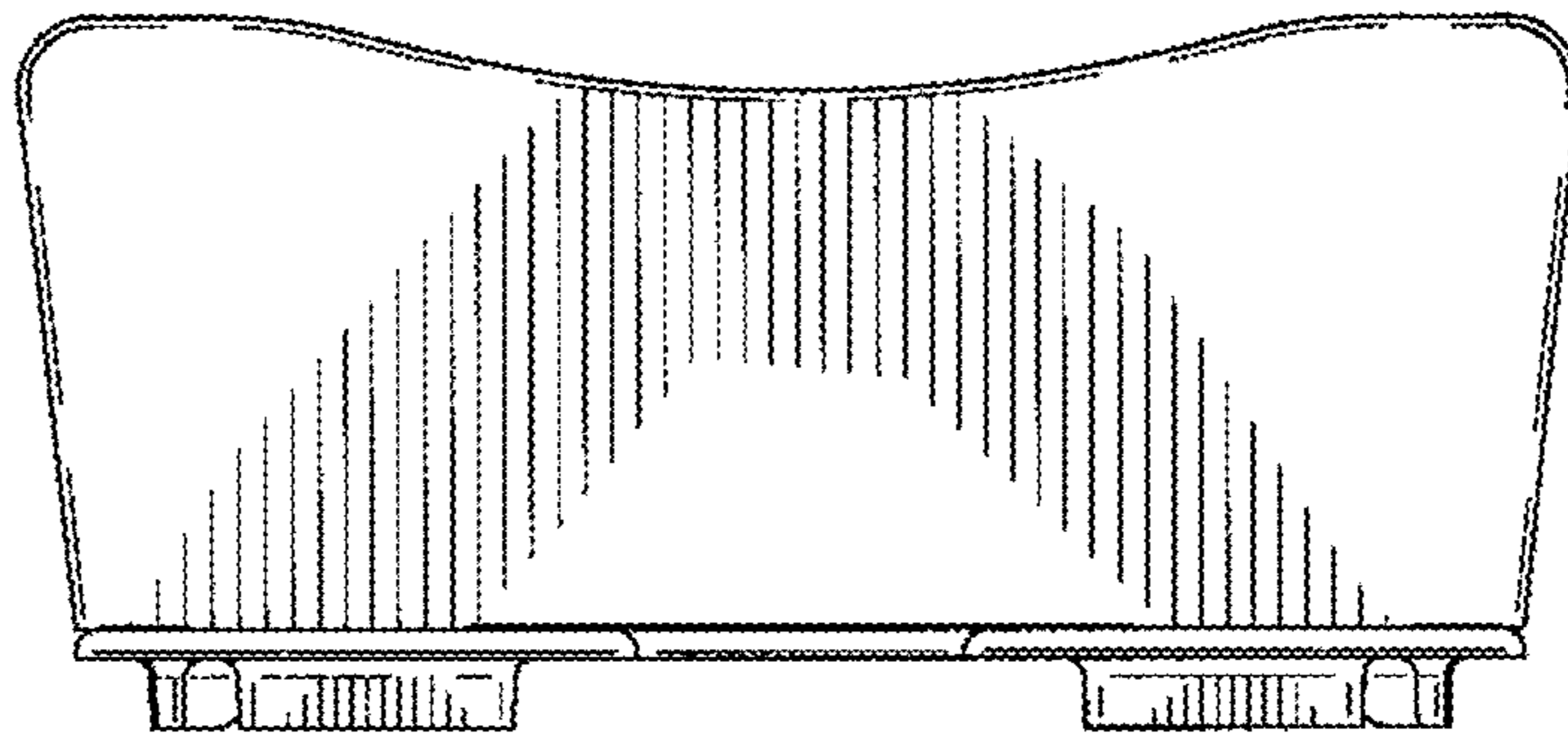
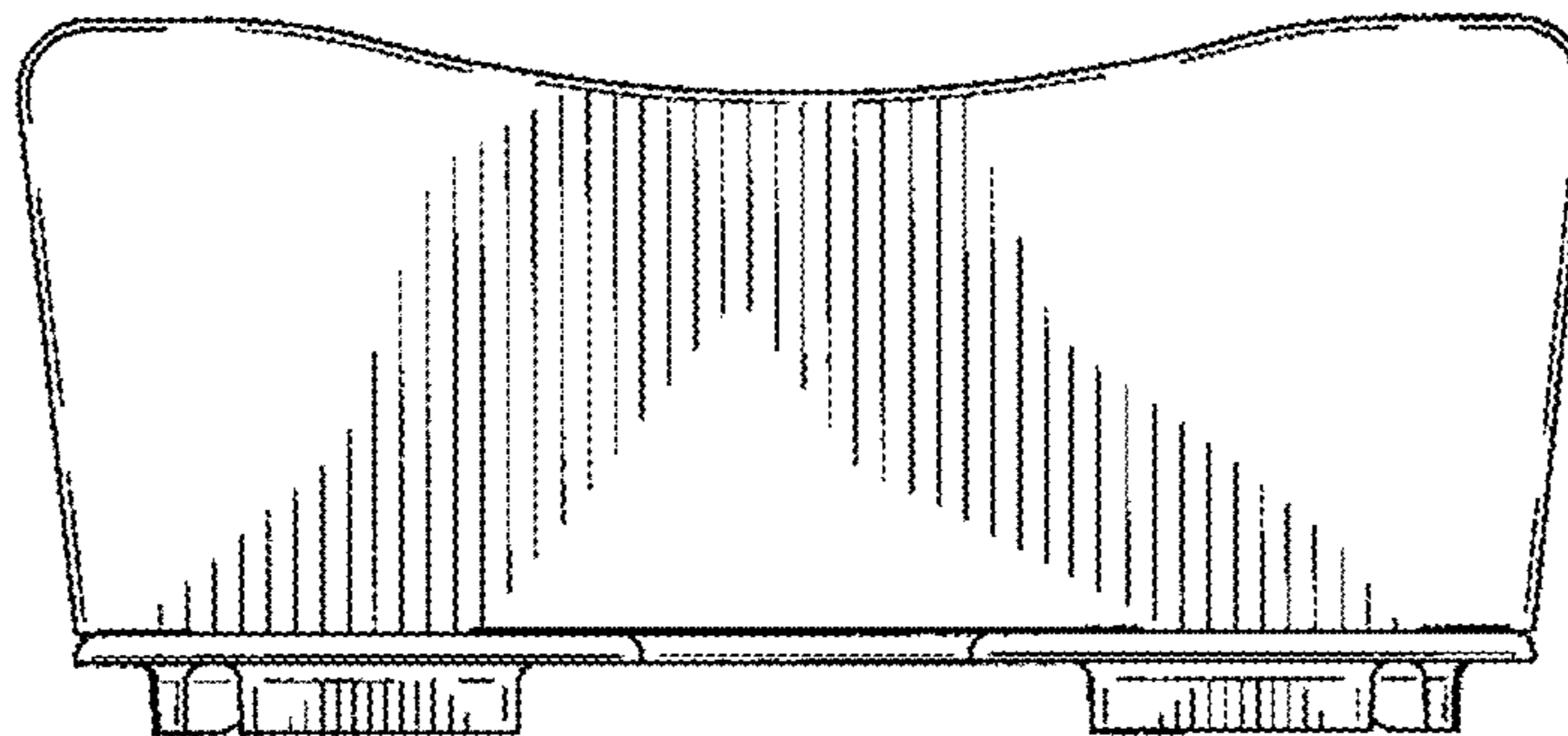


FIG. 3



*FIG. 4*



*FIG. 5*

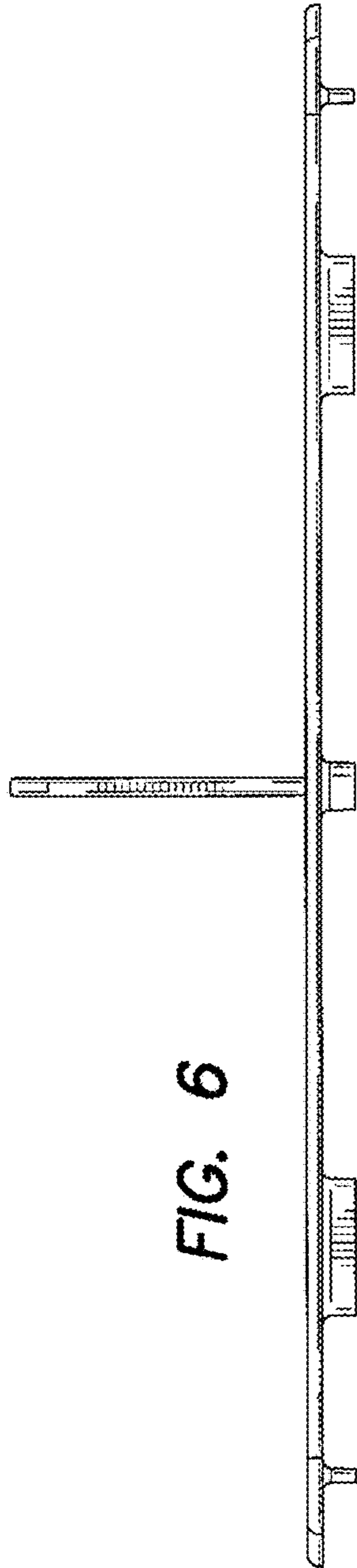
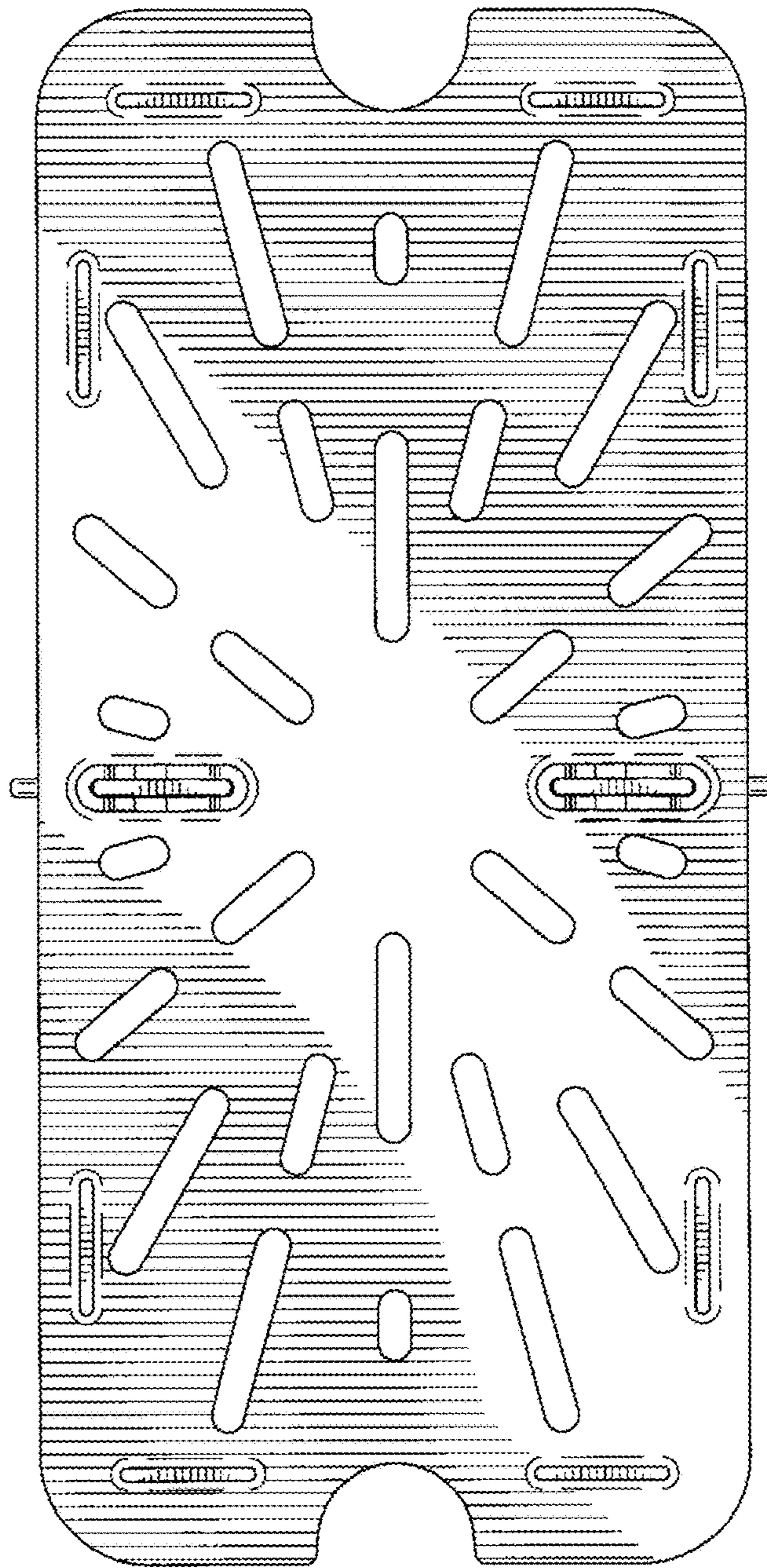


FIG. 6

FIG. 7



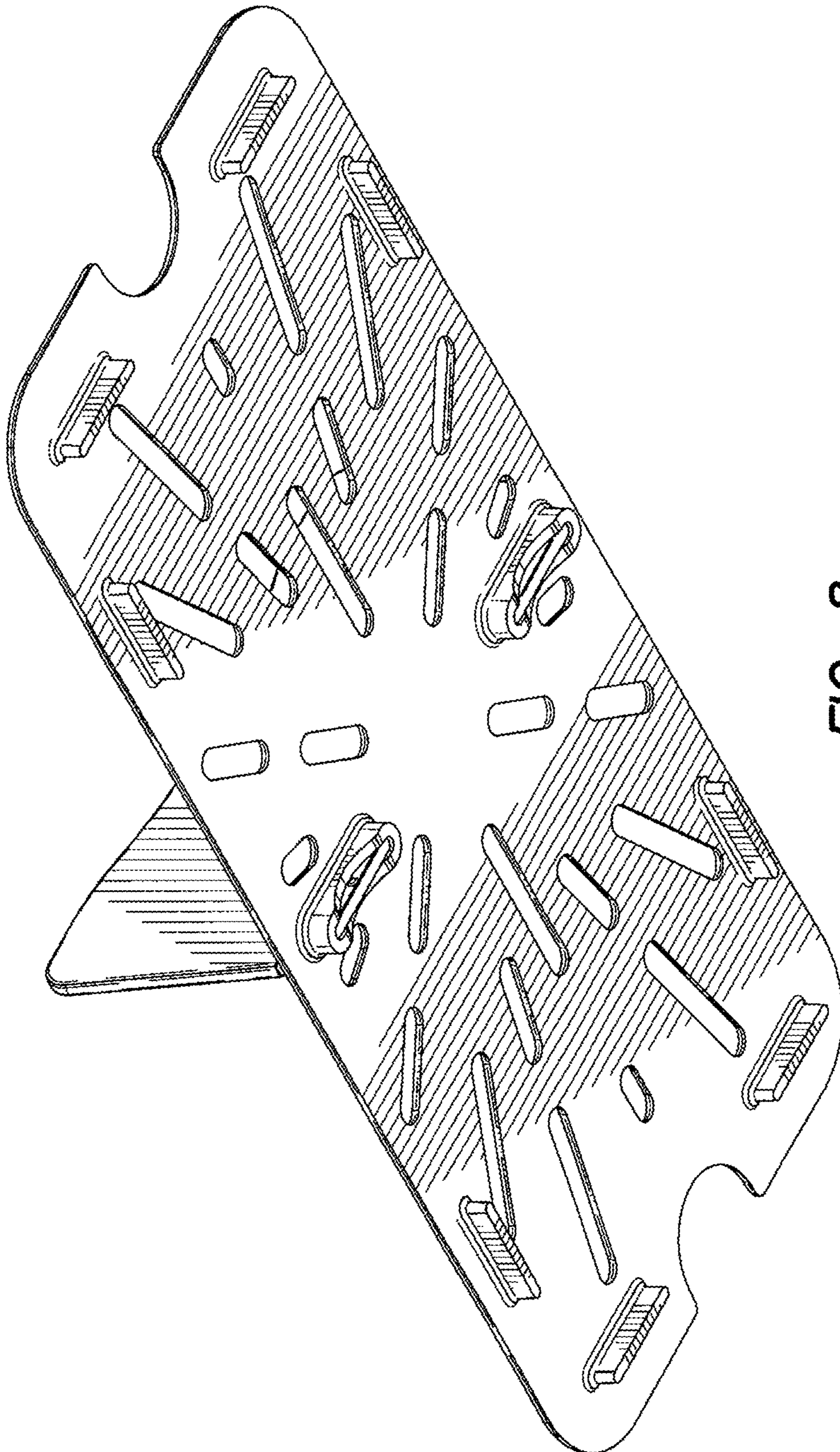


FIG. 8

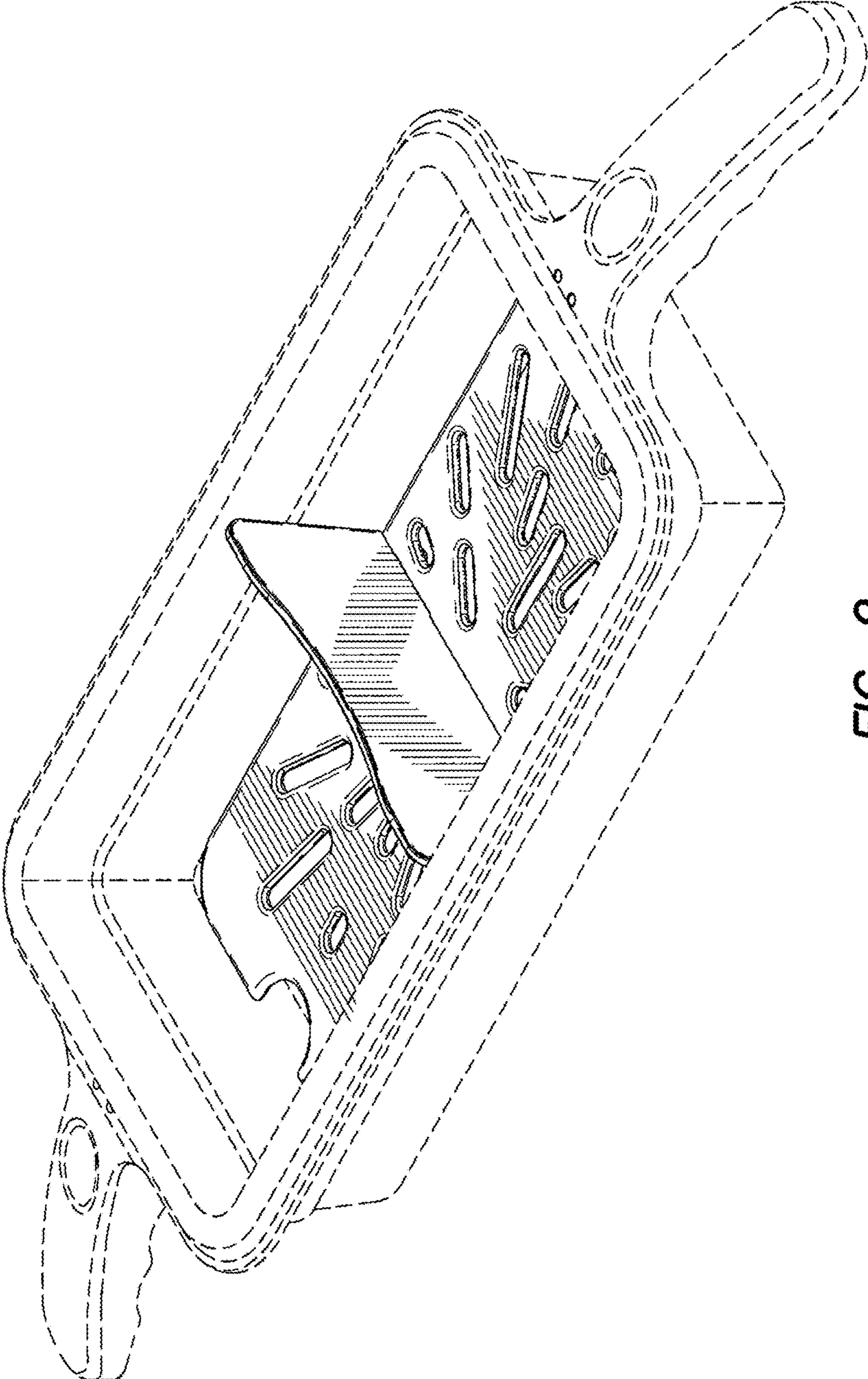


FIG. 9



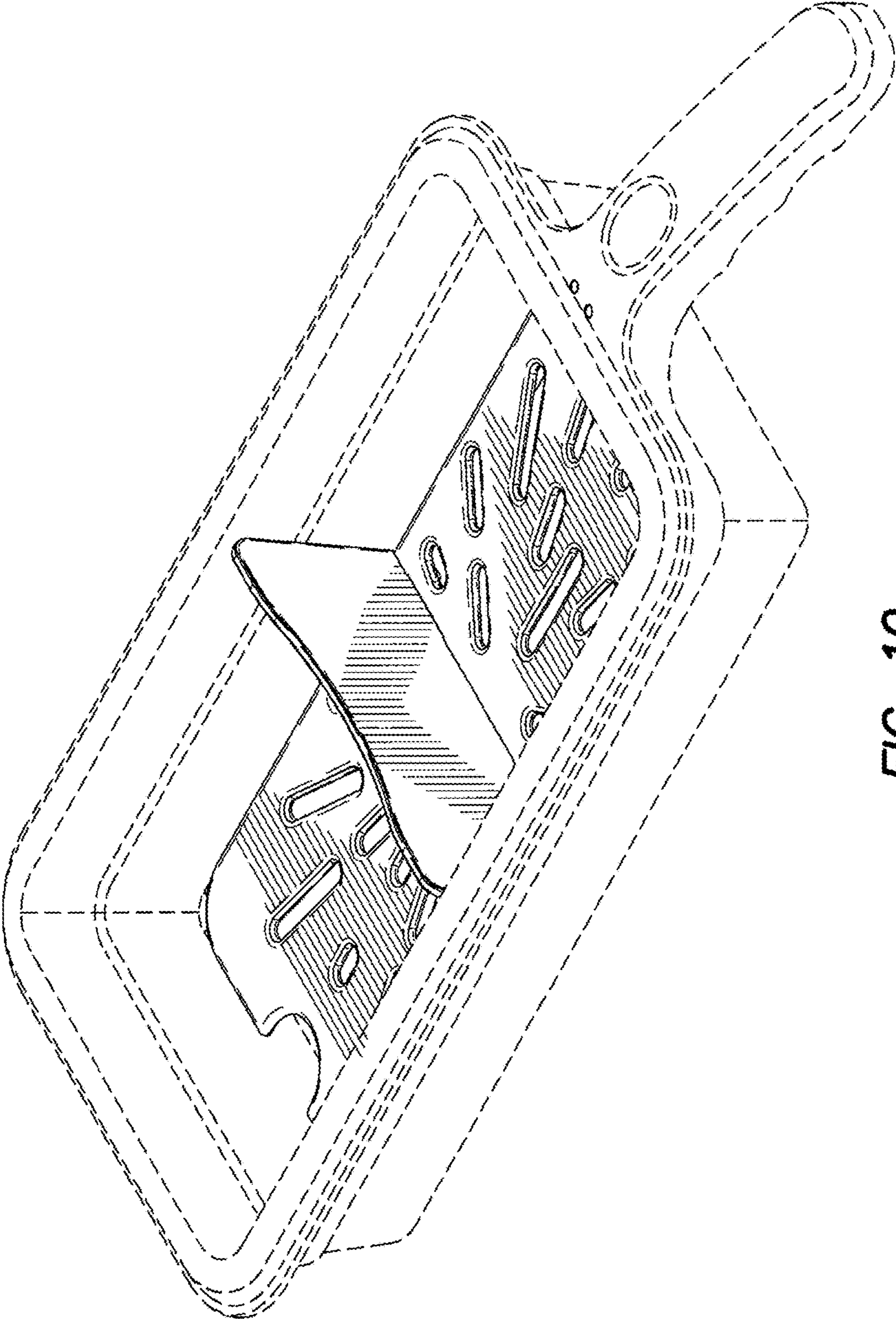


FIG. 10