



US00D805357S

(12) **United States Design Patent** (10) **Patent No.:** **US D805,357 S**
Li et al. (45) **Date of Patent:** **** Dec. 19, 2017**

(54) **COOLER**

(56) **References Cited**

(71) Applicant: **NINGBO KUER PLASTIC TECHNOLOGY CO., LTD**, Cixi, Zhejiang Province (CN)

U.S. PATENT DOCUMENTS

(72) Inventors: **Dehong Li**, HuBei Province (CN);
Saijun Luo, HuBei Province (CN);
Shengli Huang, Nanyang (TW)

D318,175 S *	7/1991	Venanzini	D3/260
D415,393 S *	10/1999	Kei	D7/605
D429,606 S *	8/2000	Israel	D7/605
D536,580 S *	2/2007	Krieger	D7/605
7,389,608 B1 *	6/2008	MacKay	A01K 97/05 206/315.11
D660,589 S *	5/2012	Ayjian	D3/260

(73) Assignee: **Ningbo Kuer Plastic Technology Co., Ltd.**, Zhejiang Province (CN)

* cited by examiner

(**) Term: **15 Years**

Primary Examiner — Terry A Wallace

(21) Appl. No.: **29/578,517**

(74) *Attorney, Agent, or Firm* — Muncy, Geissler, Olds & Lowe, P.C.

(22) Filed: **Sep. 22, 2016**

(57) **CLAIM**

Related U.S. Application Data

The ornamental design for a cooler, as shown and described.

(63) Continuation-in-part of application No. 29/564,948, filed on May 17, 2016.

(51) **LOC (10) Cl.** **07-01**

DESCRIPTION

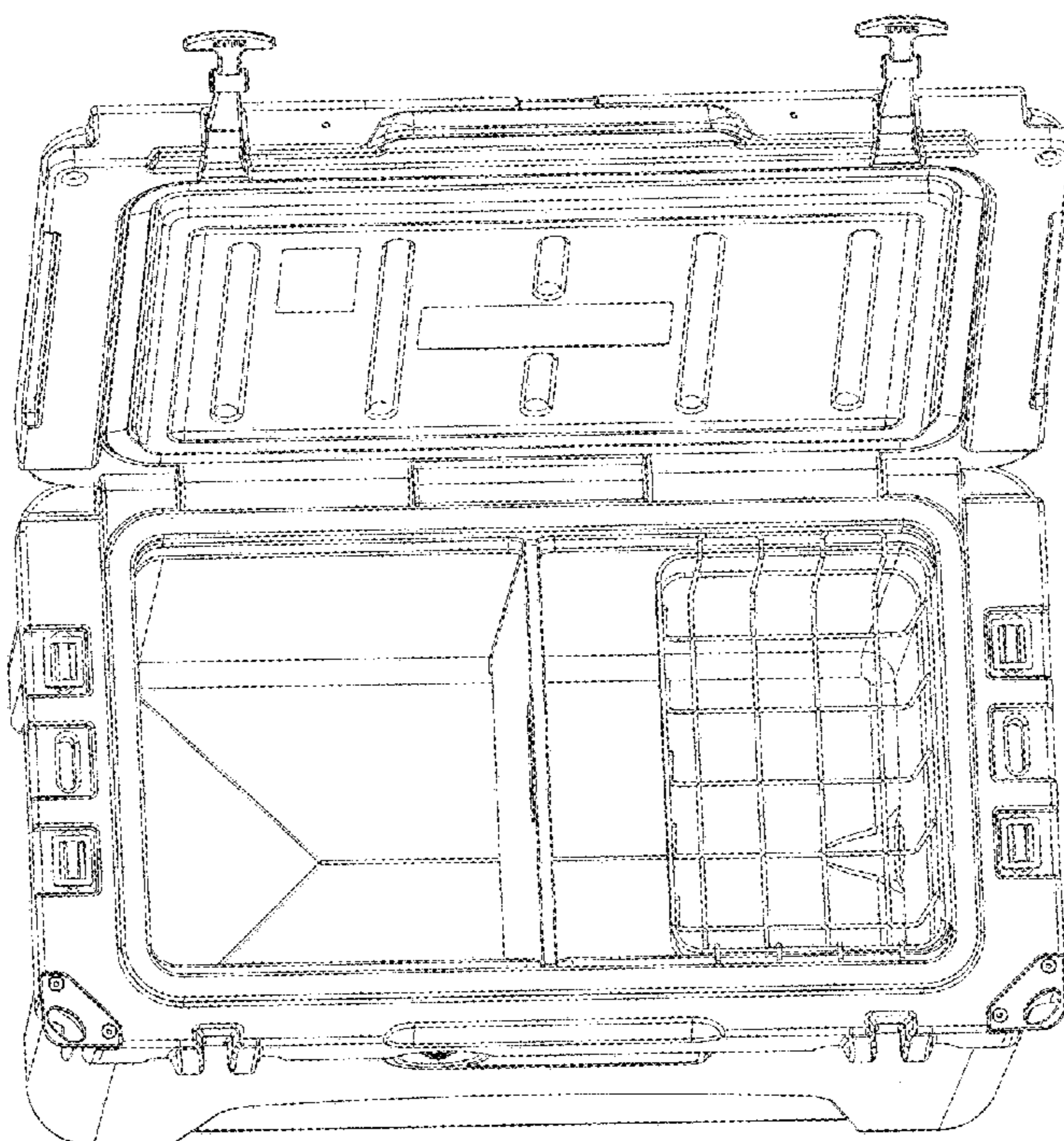
(52) **U.S. Cl.**
USPC **D7/605**; D3/260; D22/136

(58) **Field of Classification Search**
USPC D7/605, 606, 629; D3/260; D22/134, D22/136
CPC A01K 97/05; A01K 97/06; A01K 97/10; A01K 97/20; A01K 97/22; A45C 5/14; A45C 11/20; A45C 5/03; F25D 3/06; F25D 3/08; F25D 3/02; F25D 3/14; B65D 81/3823; B65D 81/3888; B65D 81/18; B65D 81/3858; B65D 81/3816

FIG. 1 is a perspective view of a cooler showing my/our new design;
FIG. 2 is a front elevational view thereof;
FIG. 3 is a rear elevational view thereof;
FIG. 4 is a left side view thereof;
FIG. 5 is a right side view thereof;
FIG. 6 is a top plan view thereof;
FIG. 7 is a bottom plan view thereof; and,
FIG. 8 is a perspective view thereof, in an open state.

See application file for complete search history.

1 Claim, 8 Drawing Sheets



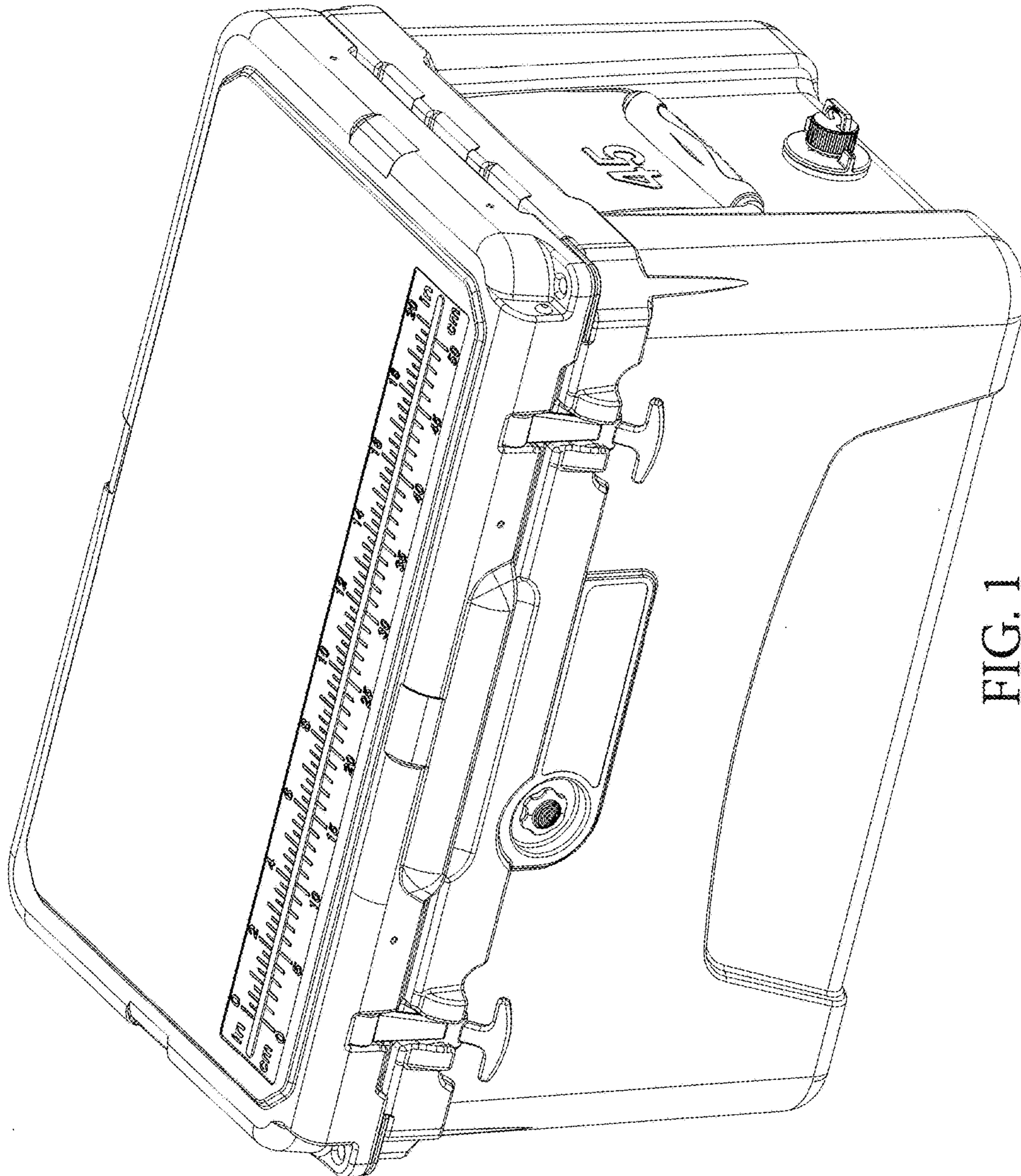


FIG. 1

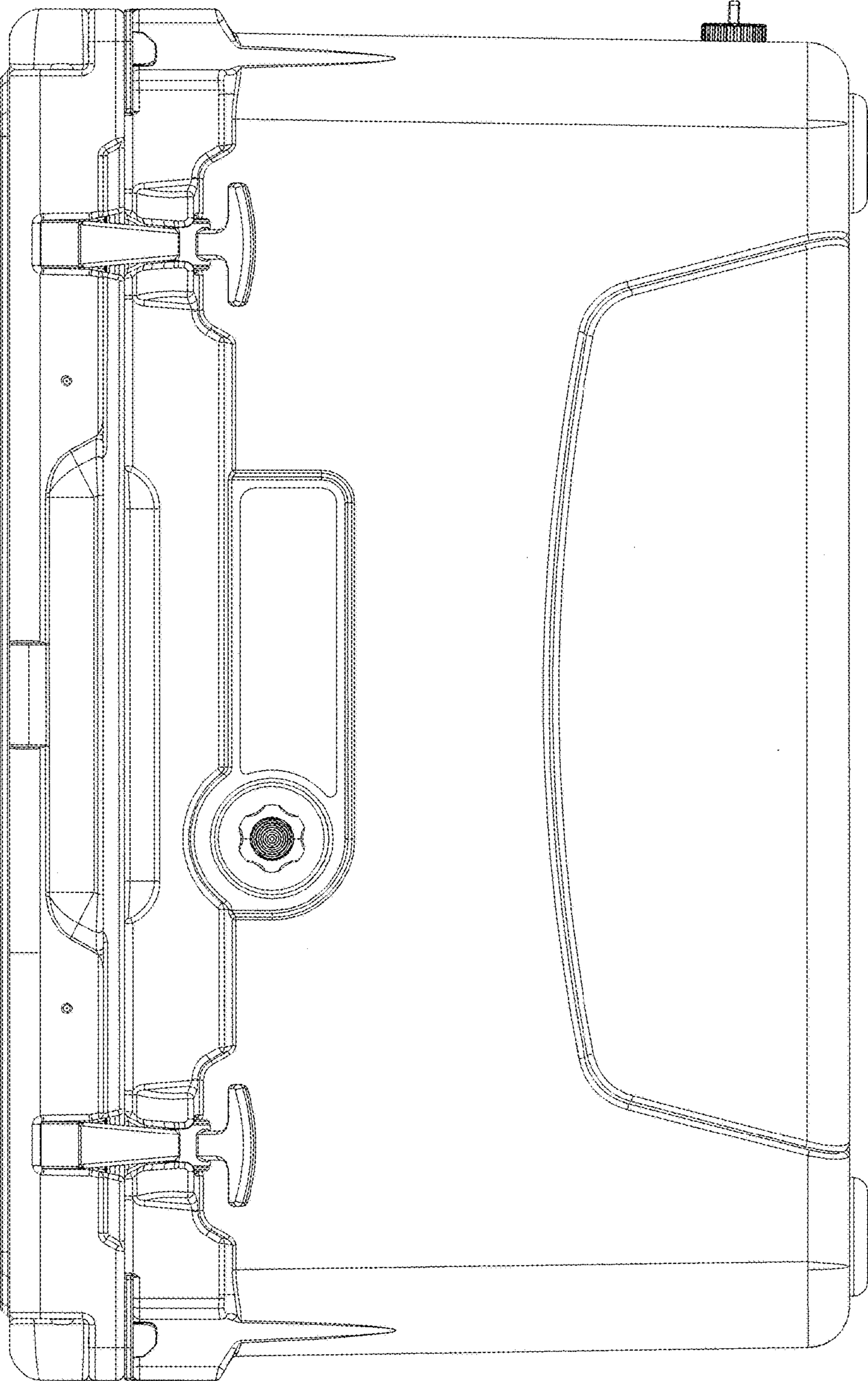


FIG. 2

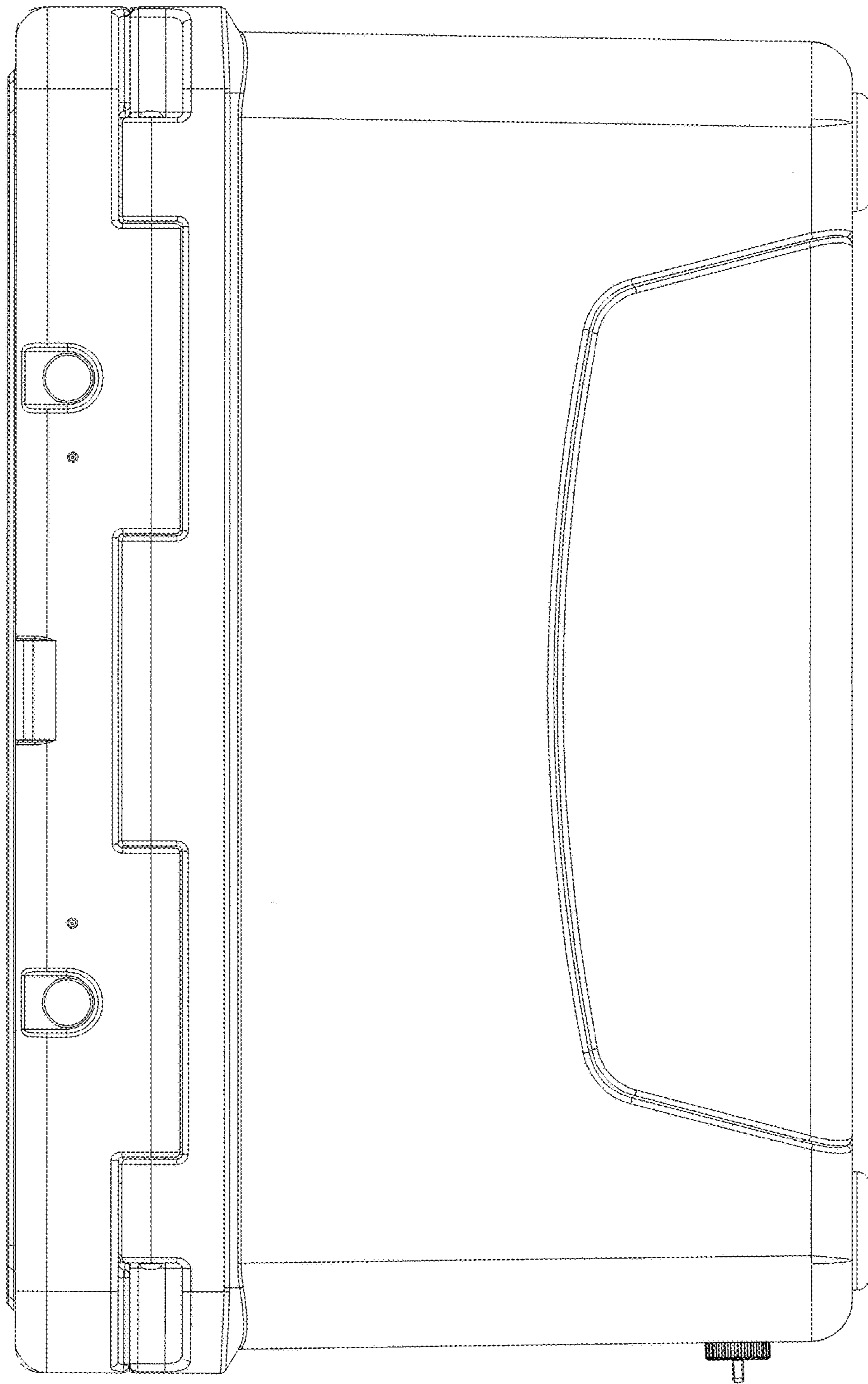


FIG. 3

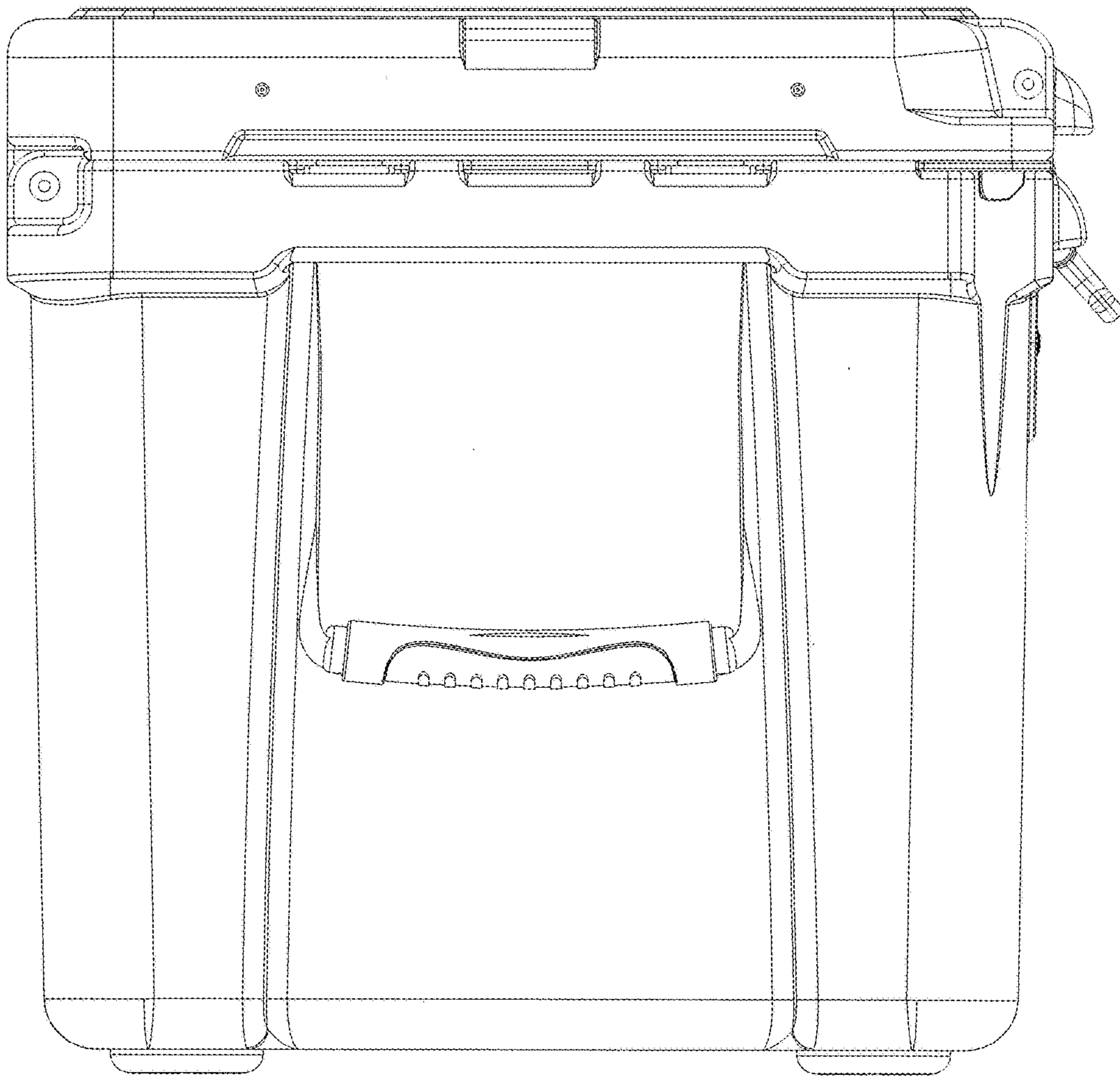


FIG. 4

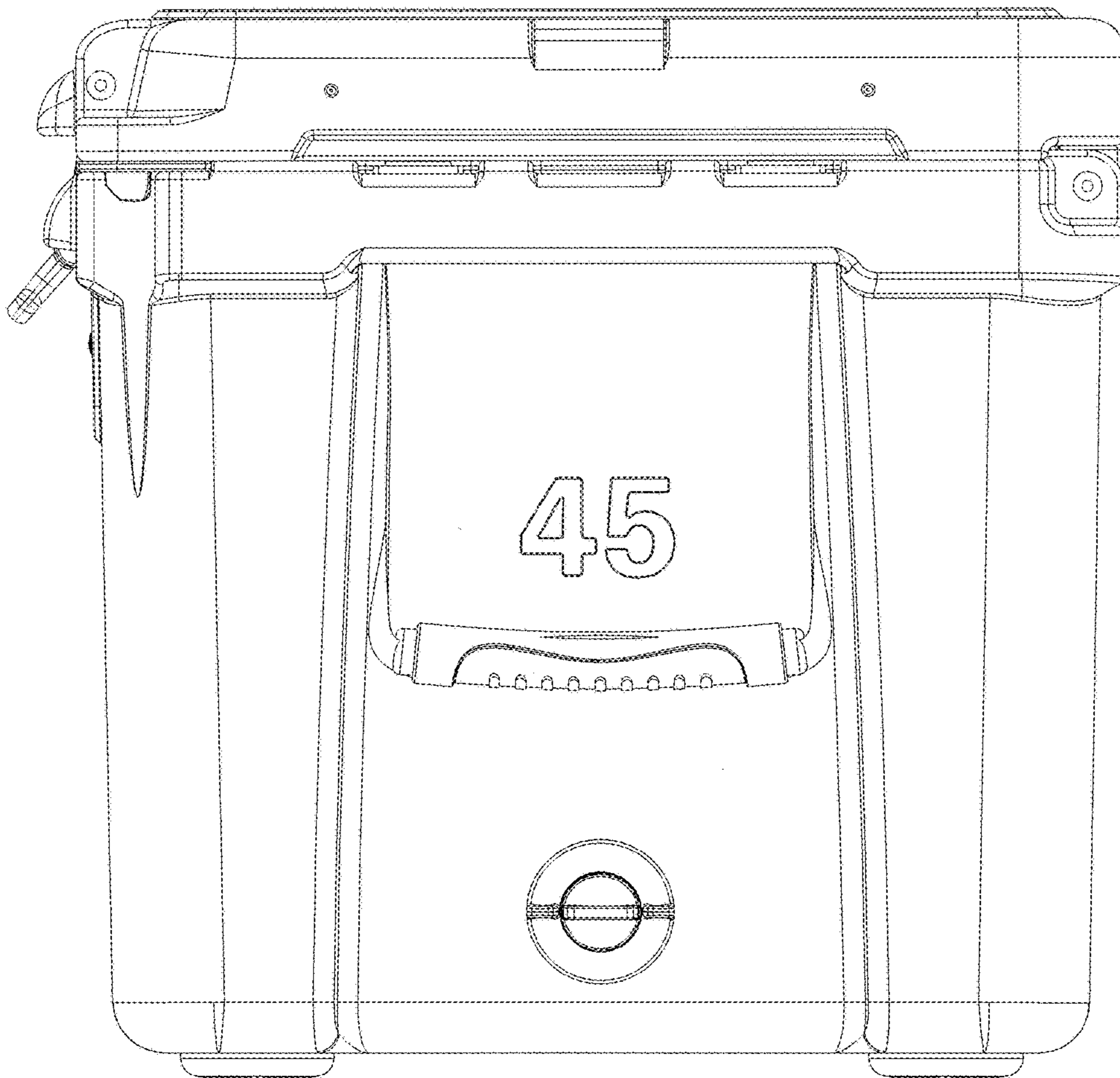


FIG. 5

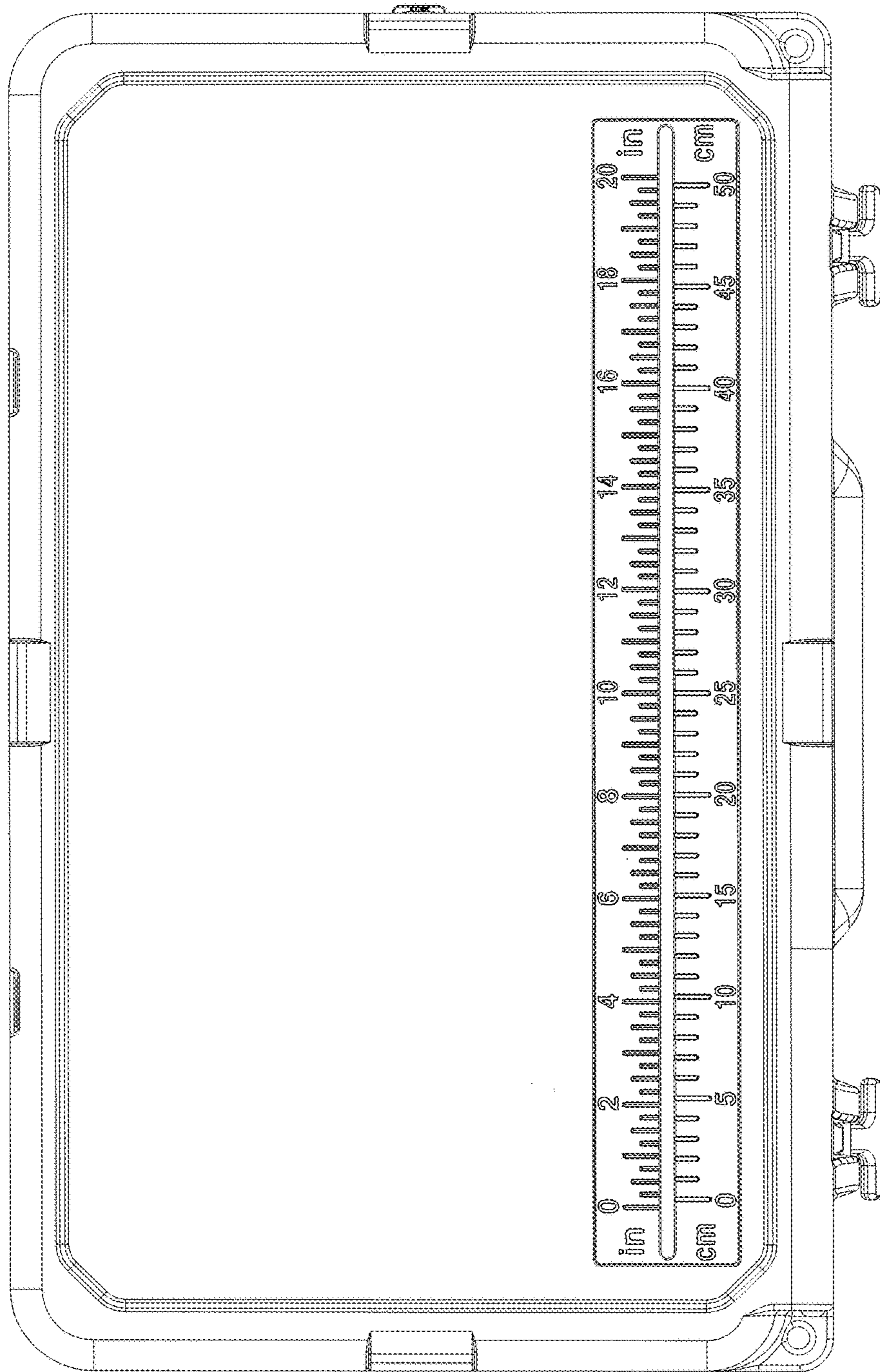


FIG. 6

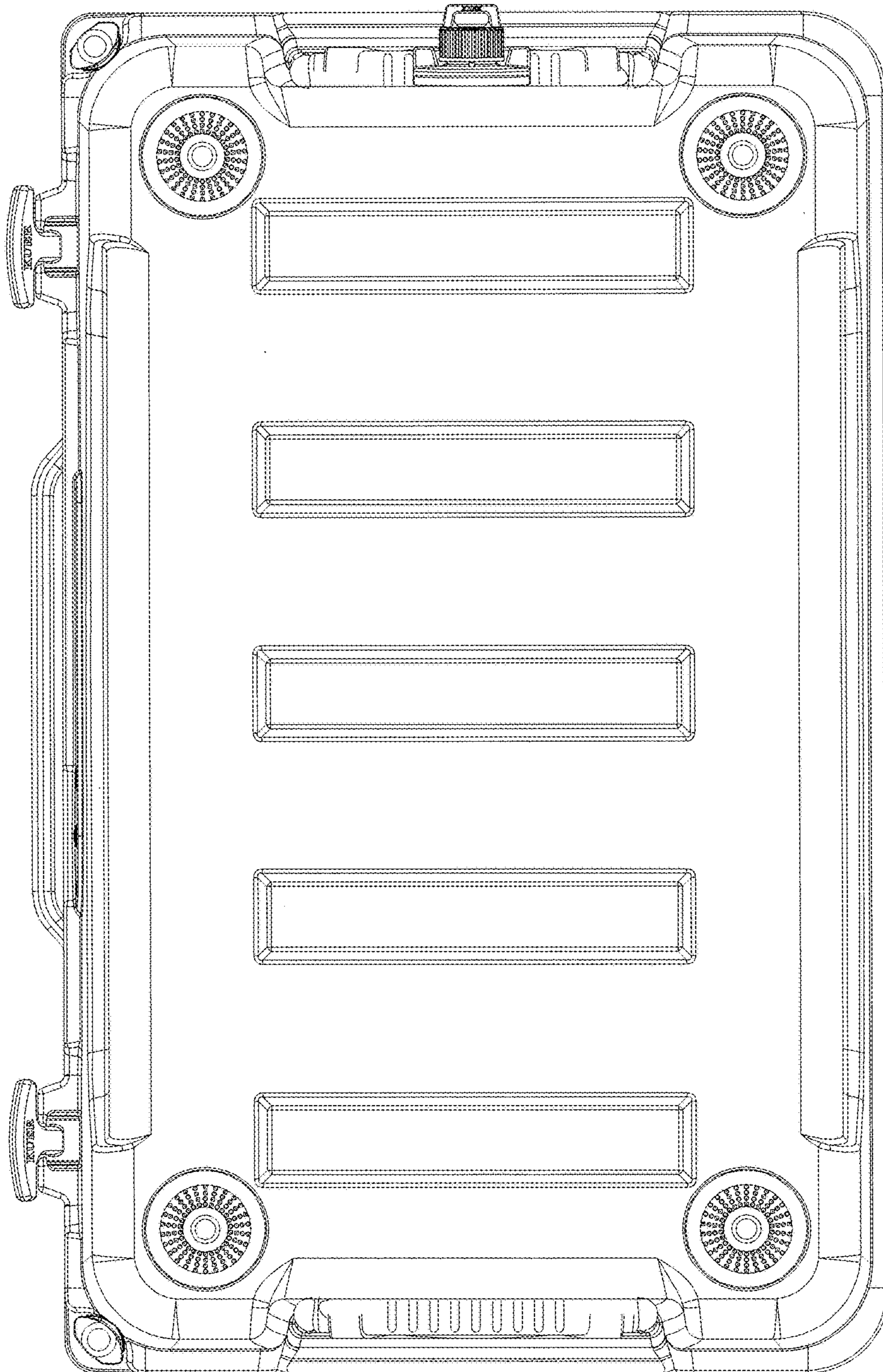


FIG. 7

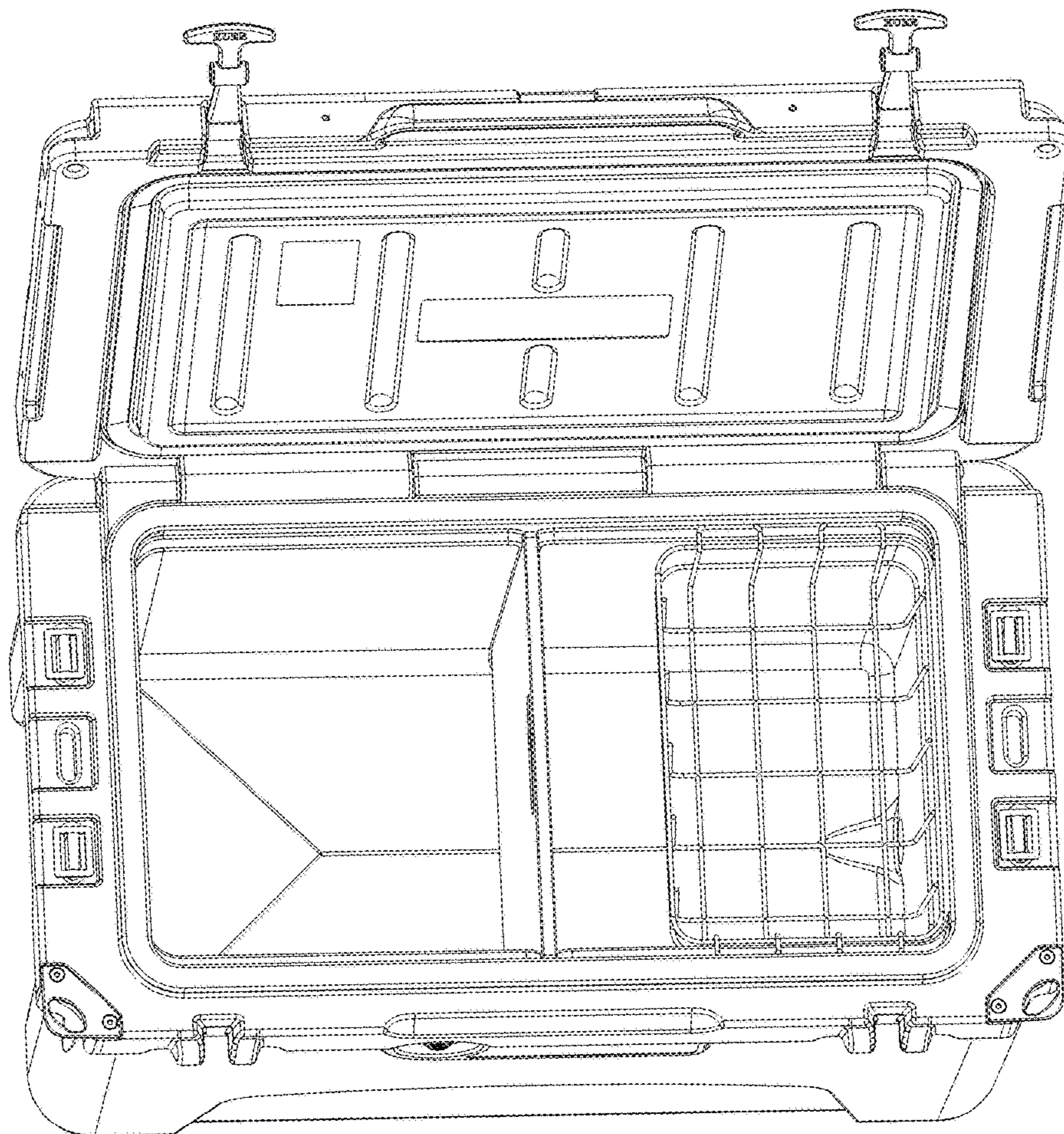


FIG. 8