



US00D805356S

(12) **United States Design Patent**
Li et al.

(10) **Patent No.:** **US D805,356 S**
(45) **Date of Patent:** **** Dec. 19, 2017**

(54) **COOLER**

(71) Applicant: **NINGBO KUER PLASTIC TECHNOLOGY CO.,LTD**, Cixi, Zhejiang Procince (CN)

(72) Inventors: **Dehong Li**, GongAn County, Hubei Province (CN); **Saijun Luo**, GongAn County, HuBei Province (CN); **Shengli Huang**, Nanyang (TW)

(73) Assignee: **Ningbo Kuer Plastic Technology Co., Ltd.**, Cixi, Zhejiang Province (CN)

(**) Term: **15 Years**

(21) Appl. No.: **29/564,948**

(22) Filed: **May 17, 2016**

(51) **LOC (10) Cl.** **07-01**

(52) **U.S. Cl.**
USPC **D7/605; D3/260; D22/136**

(58) **Field of Classification Search**
USPC **D7/605, 606, 629; D3/260, 272-274; D22/134, 136**
See application file for complete search history.

(56) **References Cited**

U.S. PATENT DOCUMENTS

D318,175 S * 7/1991 Venanzini D3/260
D415,393 S * 10/1999 Kei D7/605

D429,606 S * 8/2000 Israel D7/605
D536,580 S * 2/2007 Krieger D7/605
7,389,608 B1 * 6/2008 MacKay A01K 97/05
206/315.11
D660,589 S * 5/2012 Ayjian D3/260

* cited by examiner

Primary Examiner — Terry A Wallace

(74) *Attorney, Agent, or Firm* — Muncy, Geissler, Olds & Lowe, P.C.

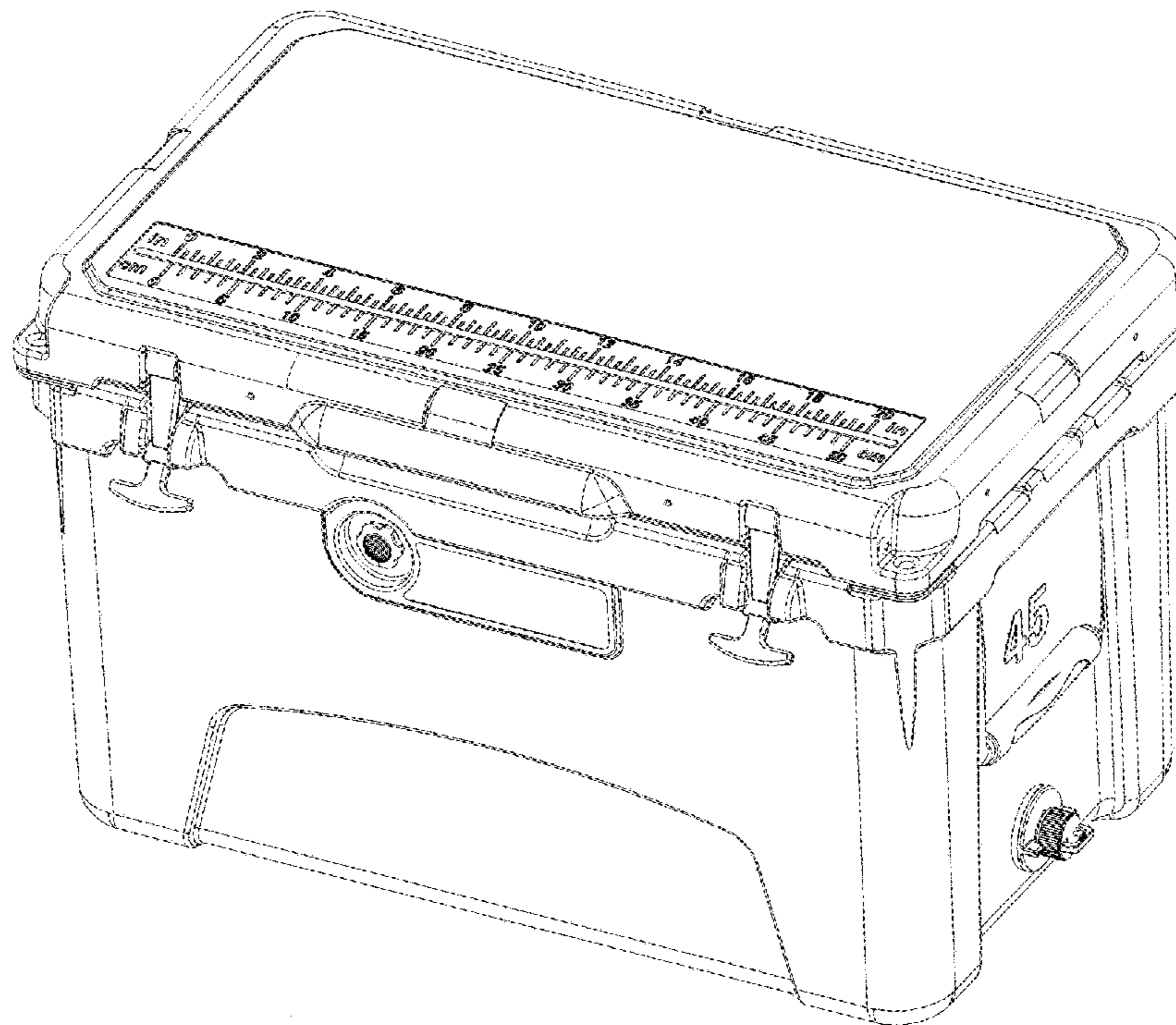
(57) **CLAIM**

The ornamental design for a cooler, as shown and described.

DESCRIPTION

FIG. 1 is a perspective view of a cooler showing my/our new design;
FIG. 2 is a front elevational view thereof;
FIG. 3 is a rear elevational view thereof;
FIG. 4 is a left side view thereof;
FIG. 5 is a right side view thereof;
FIG. 6 is a top plan view thereof; and,
FIG. 7 is a bottom plan view thereof.

1 Claim, 7 Drawing Sheets



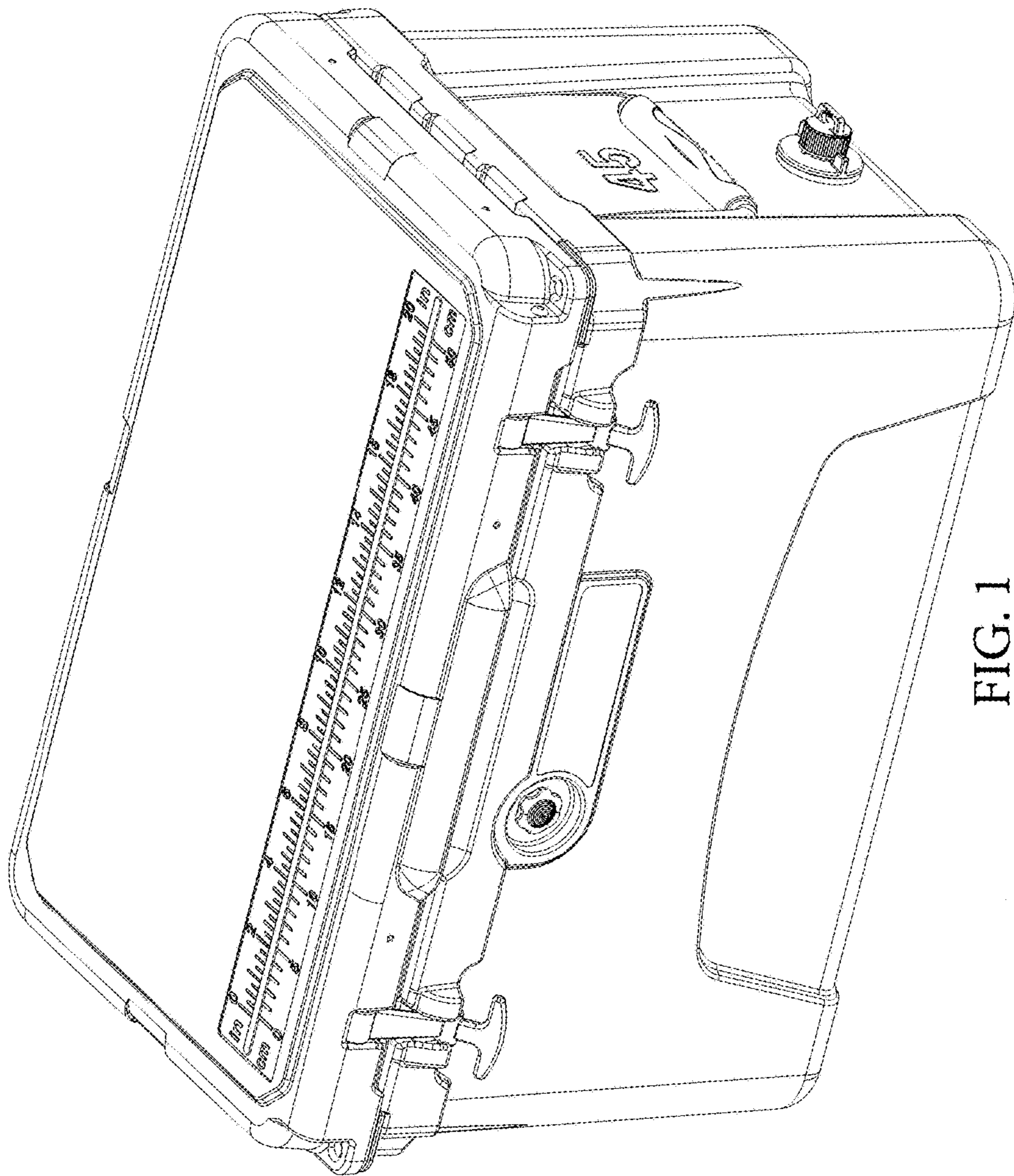


FIG. 1

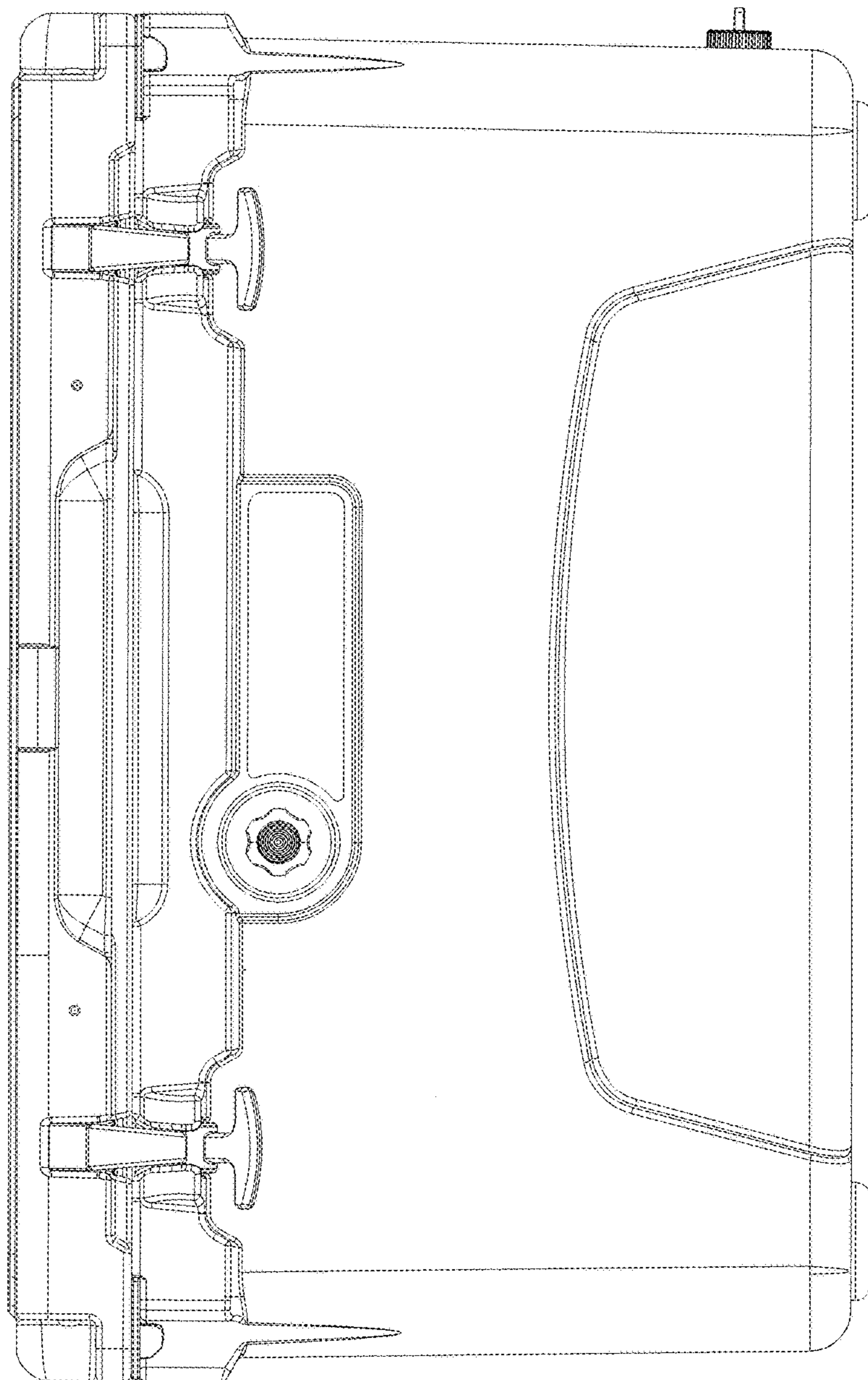


FIG. 2

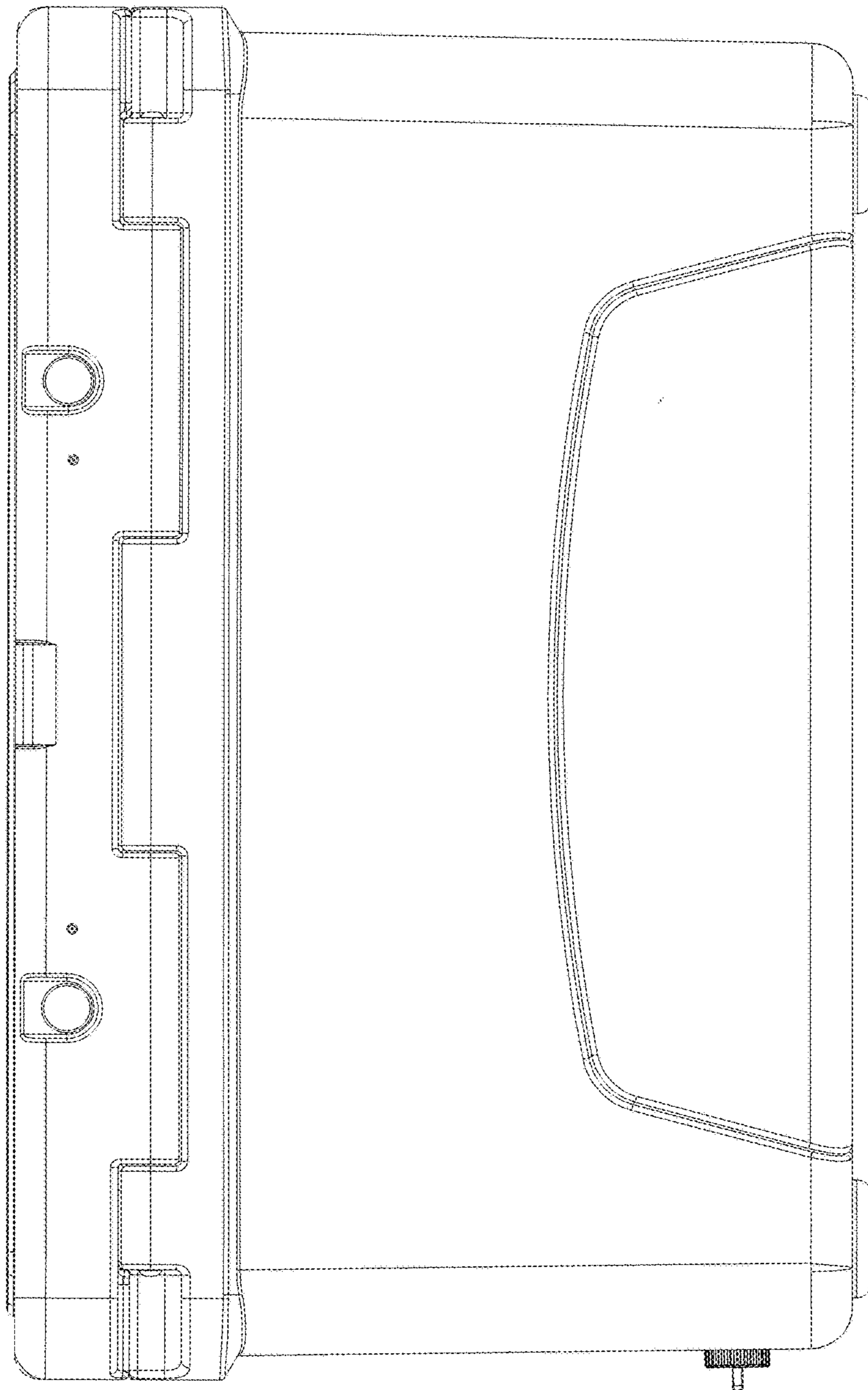


FIG. 3

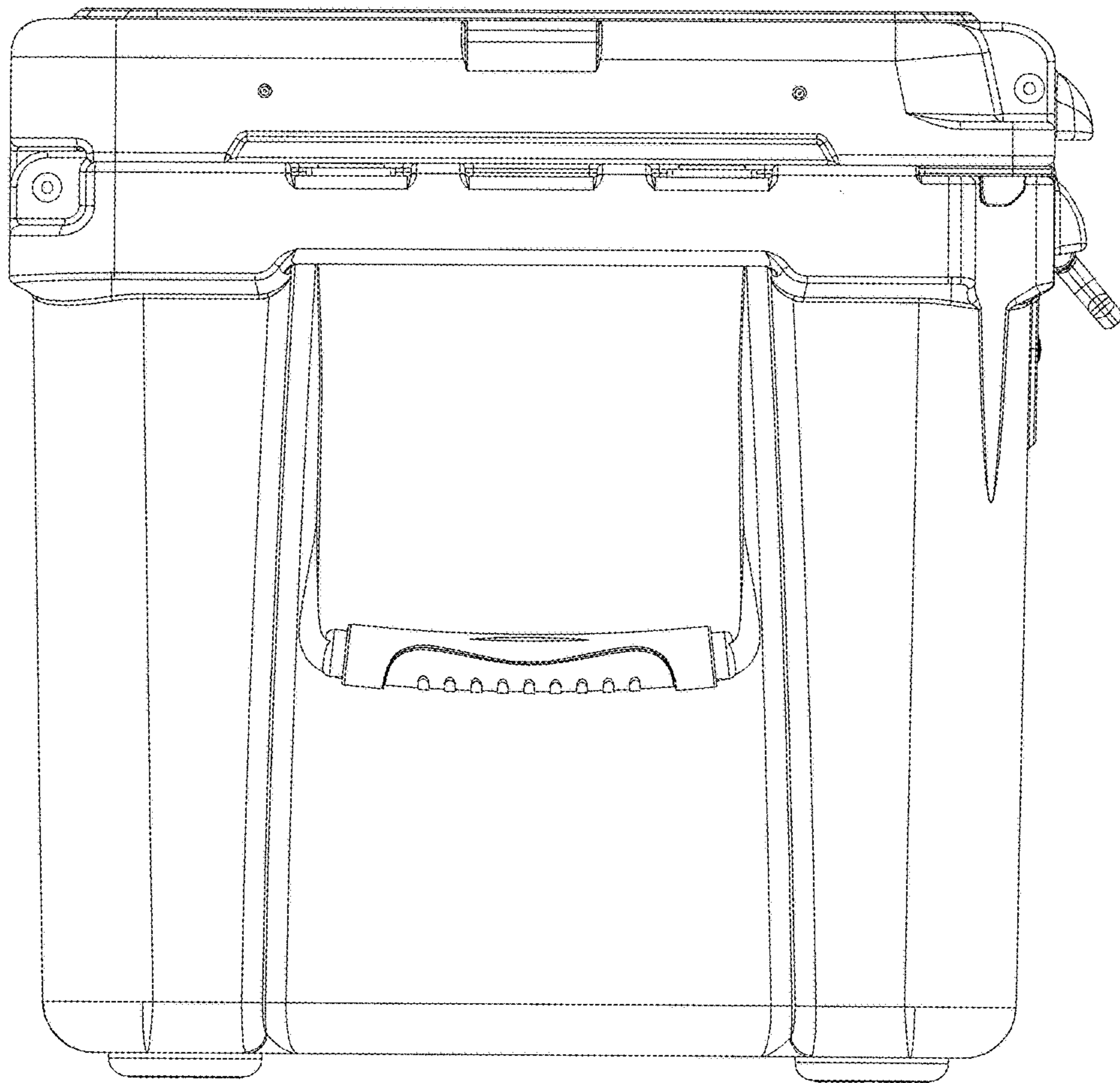


FIG. 4

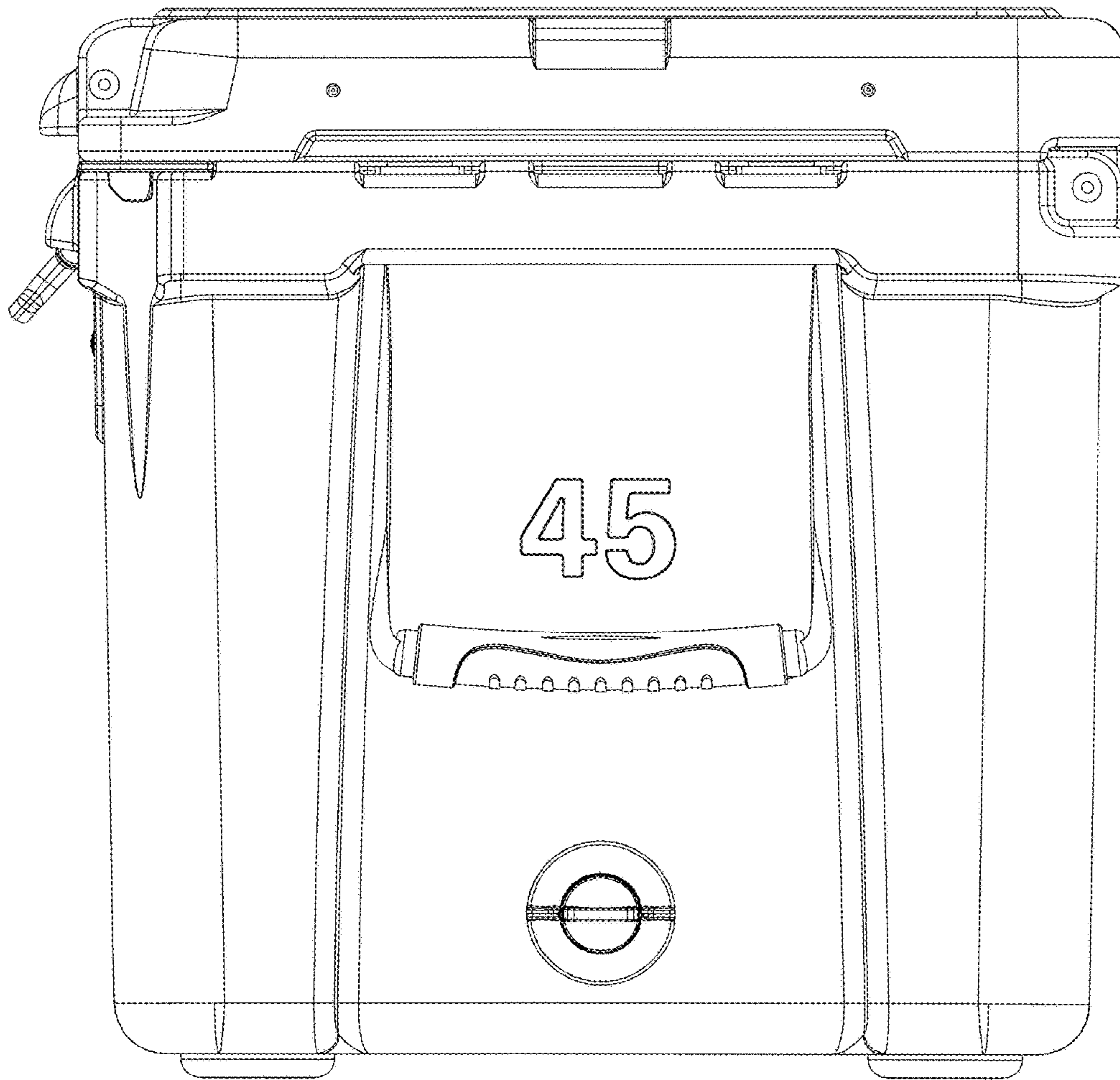


FIG. 5

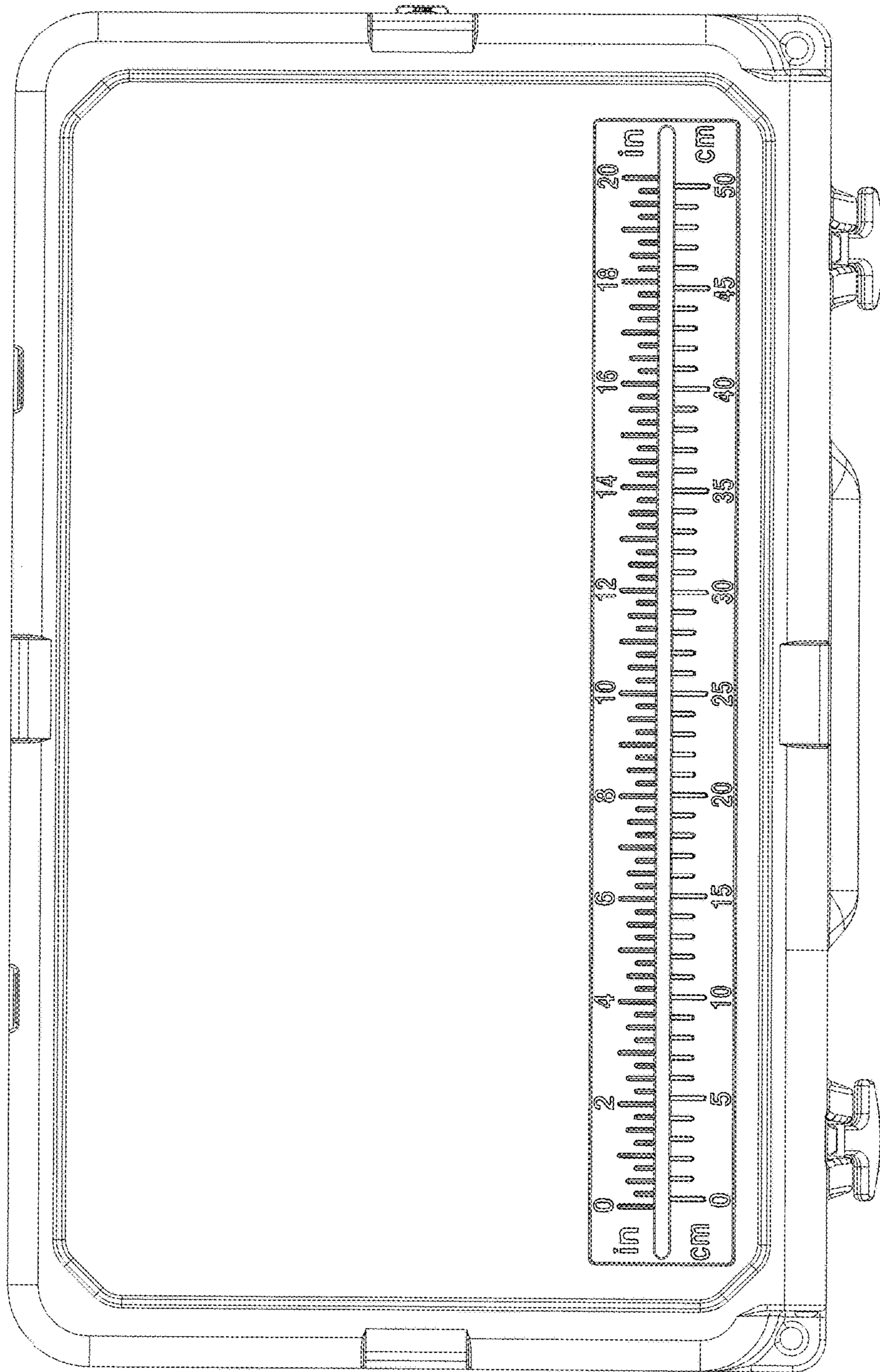


FIG. 6

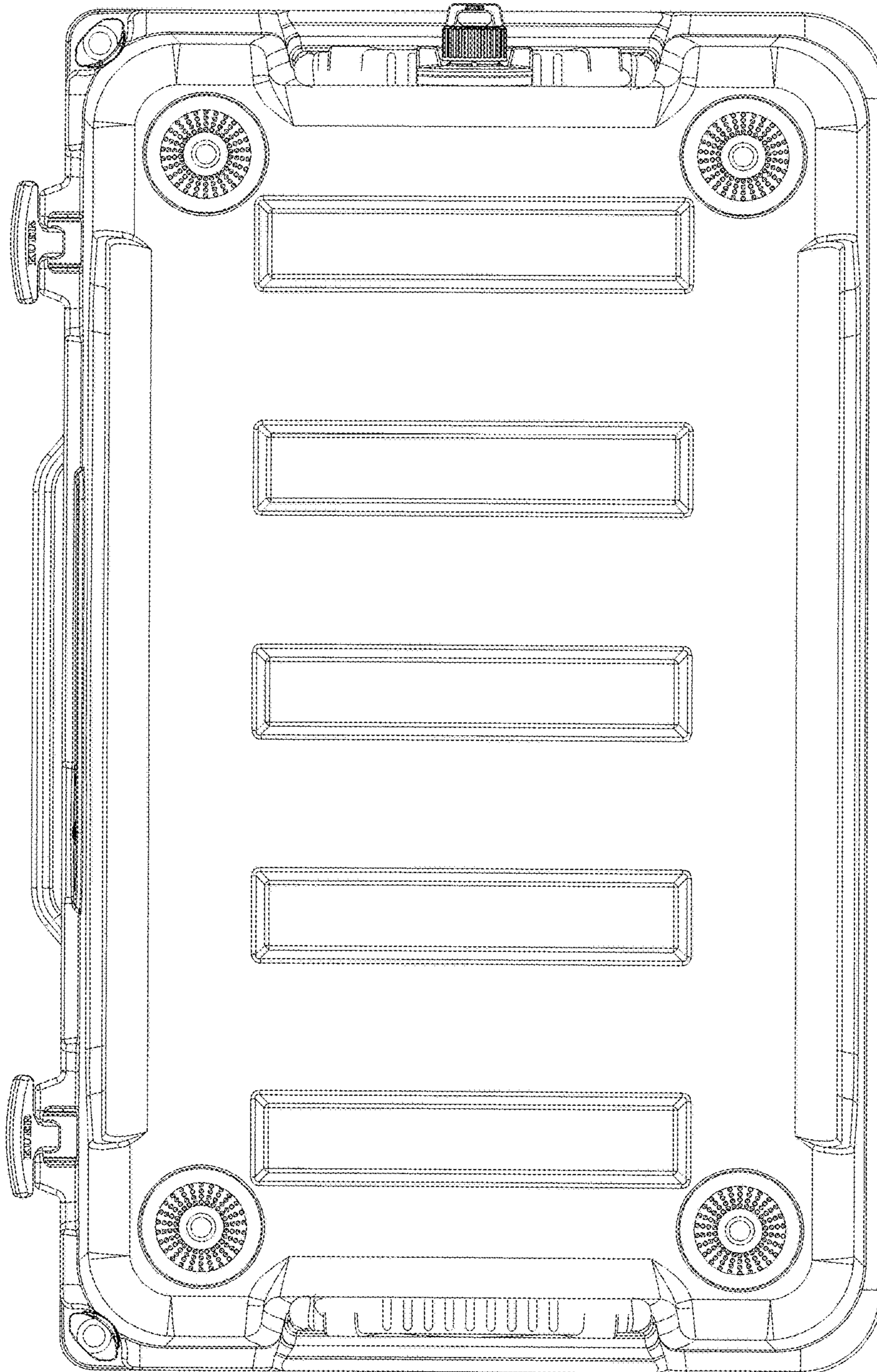


FIG. 7