



US00D805354S

(12) **United States Design Patent**
Bielawski

(10) **Patent No.:** **US D805,354 S**

(45) **Date of Patent:** **** Dec. 19, 2017**

(54) **WINE GLASS**

(71) Applicant: **Whirley Industries, Inc.**, Warren, PA (US)

(72) Inventor: **Brad Bielawski**, Warren, PA (US)

(73) Assignee: **Whirley Industries, Inc.**, Warren, PA (US)

(**) Term: **15 Years**

(21) Appl. No.: **29/579,863**

(22) Filed: **Oct. 4, 2016**

(51) **LOC (10) Cl.** **07-01**

(52) **U.S. Cl.**
USPC **D7/523**; D7/529

(58) **Field of Classification Search**
USPC D7/507, 509, 510, 511, 523, 528, 529,
D7/533, 532, 534; 220/592.16, 592.17,
220/495.03; D11/143, 144
CPC A47G 19/2227; A47G 19/2272; A47G
19/2205; A47G 19/22; A45F 3/16; B65D
47/066; A47J 43/27
See application file for complete search history.

(56) **References Cited**

U.S. PATENT DOCUMENTS

- 2,088,181 A * 7/1937 Swift, Jr. B65D 1/265
206/520
- D187,605 S * 4/1960 Dreitzer D7/530
- D219,529 S * 12/1970 Uhrmann 215/383
- 3,784,052 A * 1/1974 Edwards B65D 1/265
206/520
- D260,839 S * 9/1981 Durand D7/530
- D451,346 S * 12/2001 Wyche D7/509
- D502,870 S * 3/2005 Bennett D9/424
- D508,372 S * 8/2005 Martinez-Lopez D7/509
- D515,358 S * 2/2006 Orr B65D 1/265
D7/523
- D521,318 S * 5/2006 Huang D7/523

- D529,340 S * 10/2006 Laib D7/523
- D561,036 S * 2/2008 Boon D9/538
- D574,192 S * 8/2008 Schosser D7/509
- D627,598 S * 11/2010 Boonprasop D7/396.2
- D698,603 S * 2/2014 Huckestein D7/509

(Continued)

Primary Examiner — Marianne Pandozzi

Assistant Examiner — Jae Liang

(74) *Attorney, Agent, or Firm* — Buchanan Ingersoll & Rooney PC

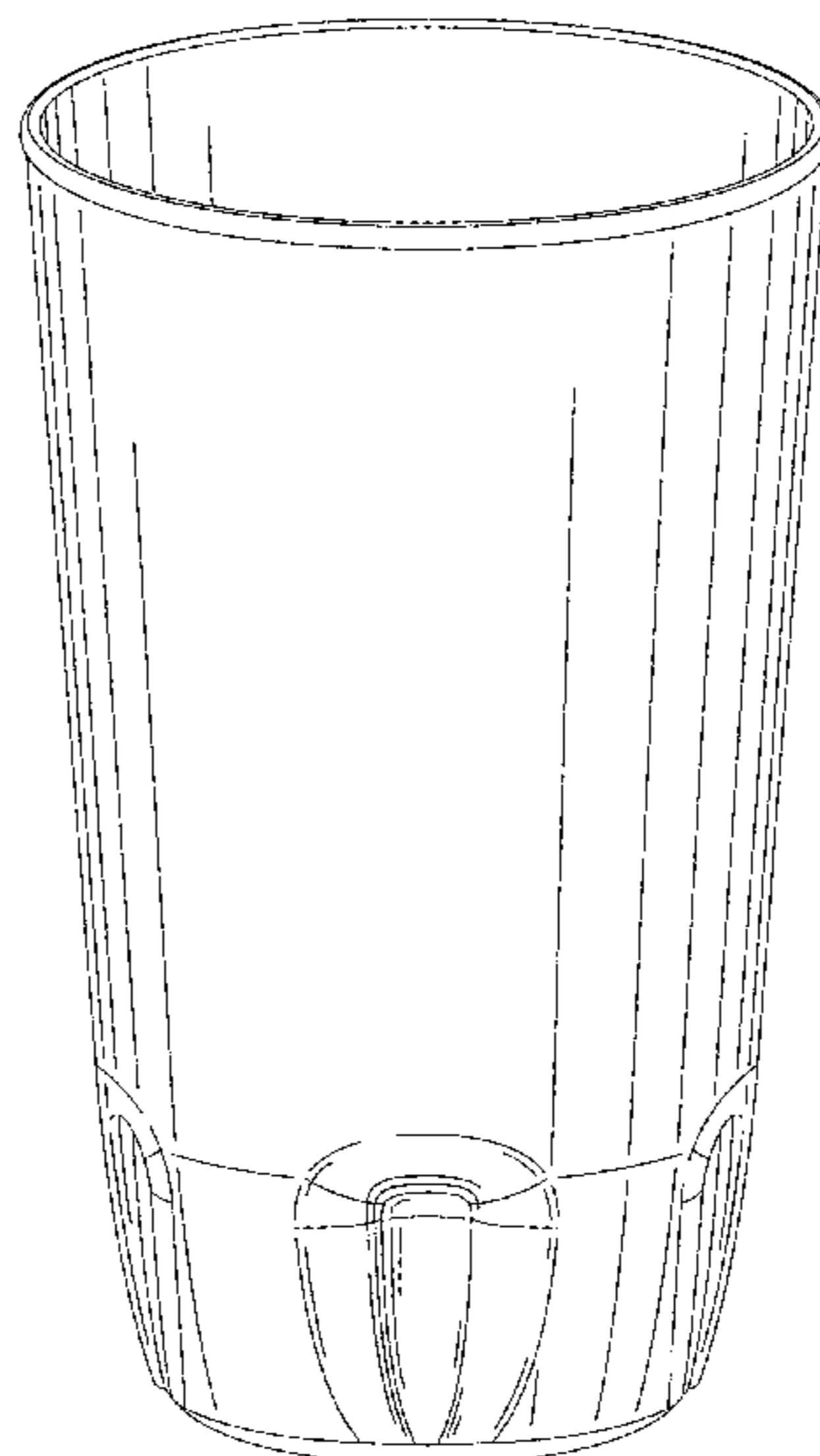
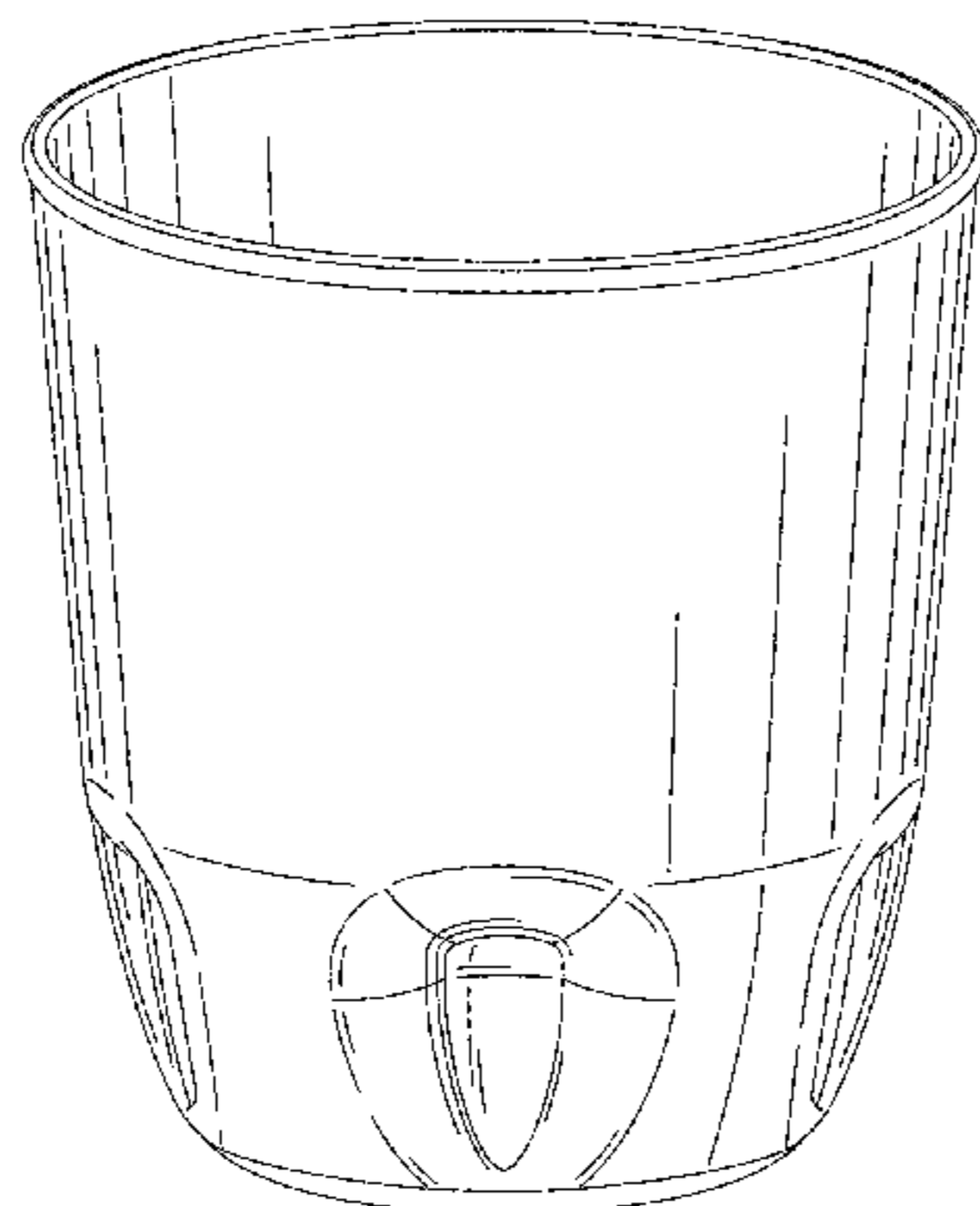
(57) **CLAIM**

The ornamental design for a wine glass, as shown and described.

DESCRIPTION

FIG. 1 is a perspective view of a first embodiment of a wine glass showing my new design;
 FIG. 2 is a front view of FIG. 1;
 FIG. 3 is a rear view of FIG. 1;
 FIG. 4 is a left side view of FIG. 1; the right side view being a mirror image thereof;
 FIG. 5 is a top view of FIG. 1;
 FIG. 6 is a bottom view of FIG. 1;
 FIG. 7 is an environmental perspective view of FIG. 1 in used with a lid;
 FIG. 8 is a perspective view of a second embodiment of a wine glass;
 FIG. 9 is a front view of FIG. 8;
 FIG. 10 is a rear view of FIG. 8;
 FIG. 11 is a left side view of FIG. 8; the right side view being a mirror image thereof; and,
 FIG. 12 is a top view of FIG. 8;
 FIG. 13 is a bottom view of FIG. 8; and,
 FIG. 14 is an environmental perspective view of FIG. 8 in used with a lid.
 The broken lines in the drawing depict environmental subject matter only and form no part of the claimed design.

1 Claim, 12 Drawing Sheets



(56)

References Cited

U.S. PATENT DOCUMENTS

D713,690	S	*	9/2014	Katterheinrich	D7/523
D714,098	S	*	9/2014	Zollweg	D7/523
D772,013	S	*	11/2016	O'Connor	D7/509
2002/0017502	A1	*	2/2002	Renz	A47G 19/2205 215/384

* cited by examiner

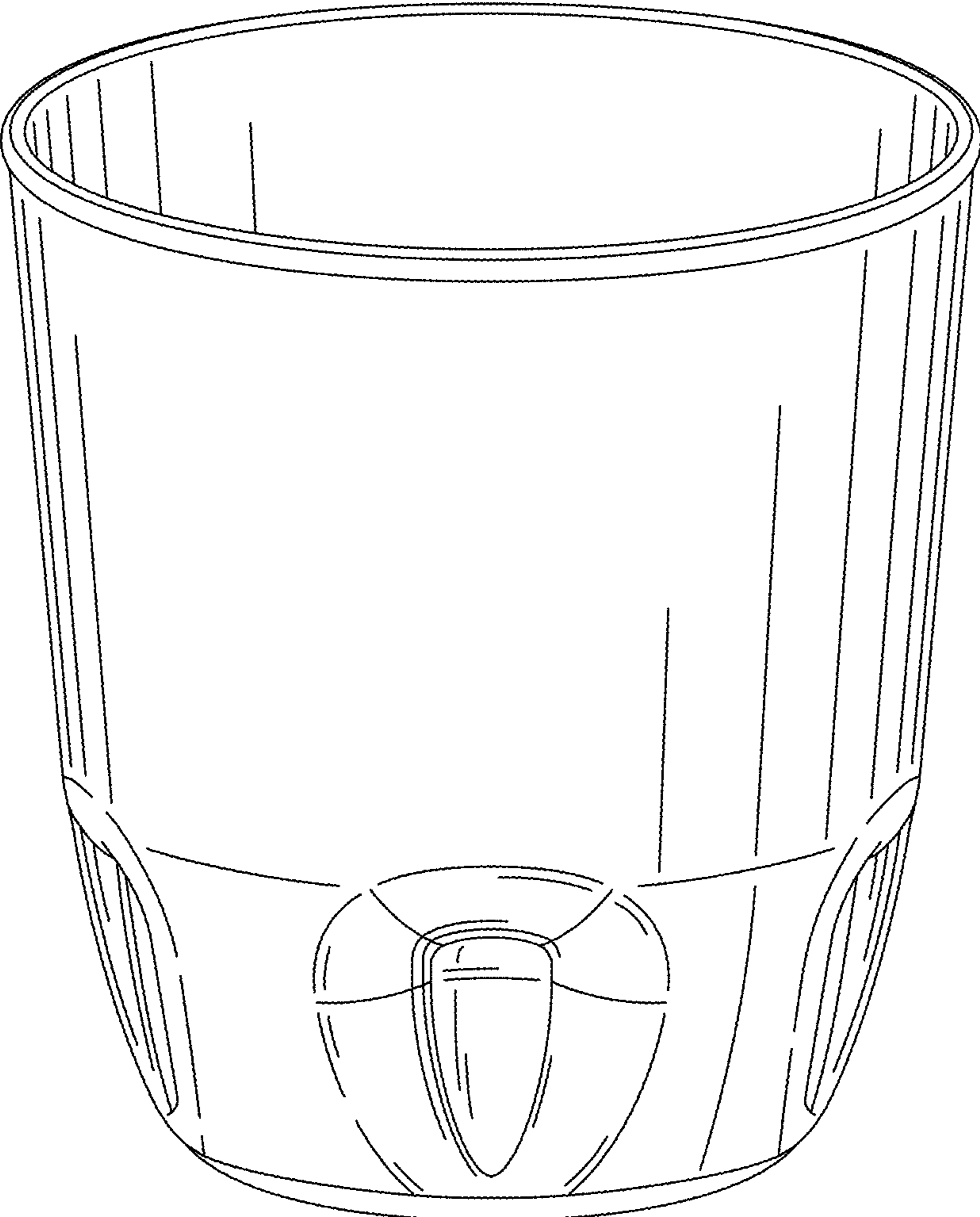


FIG. 1

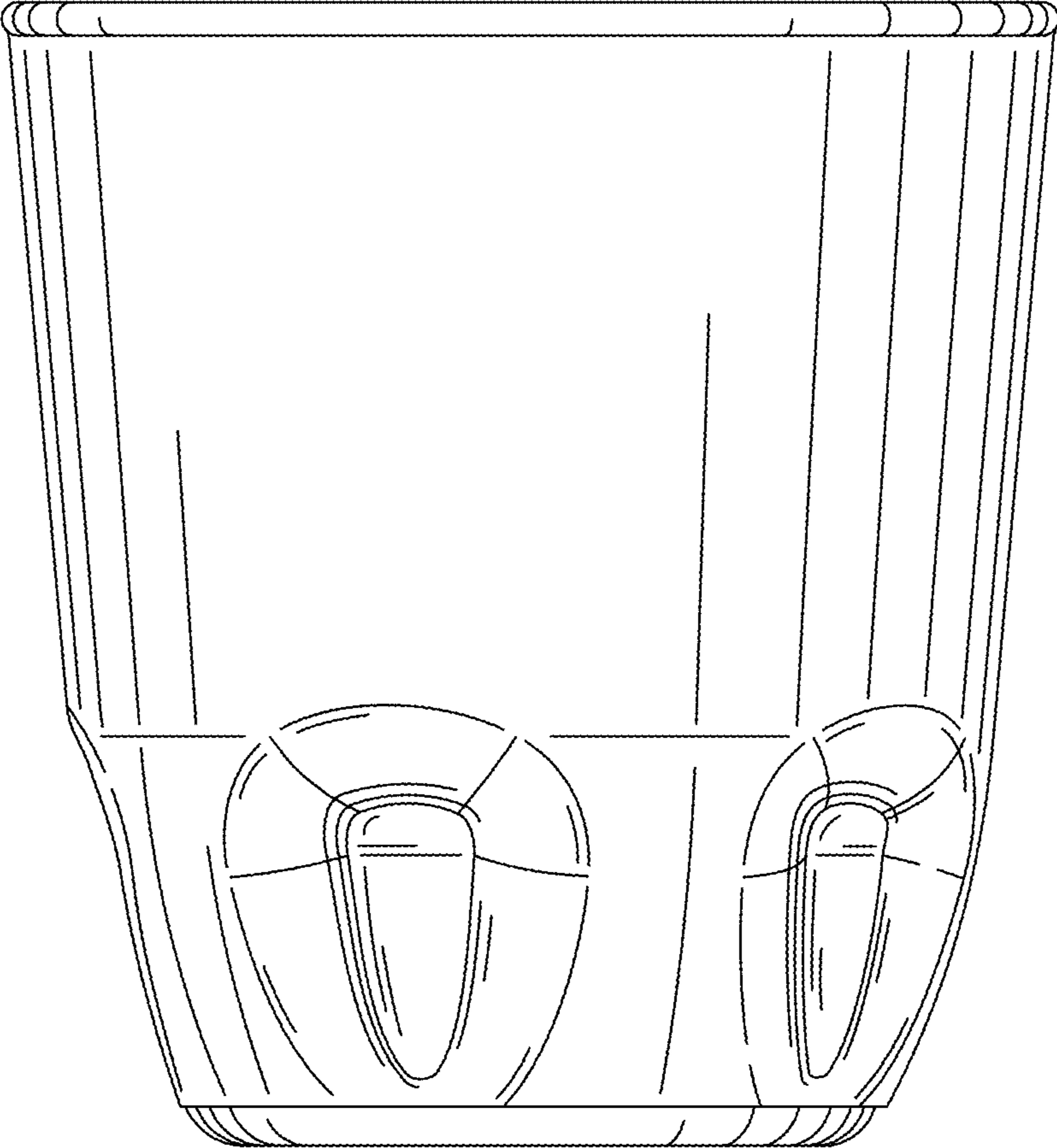


FIG. 2

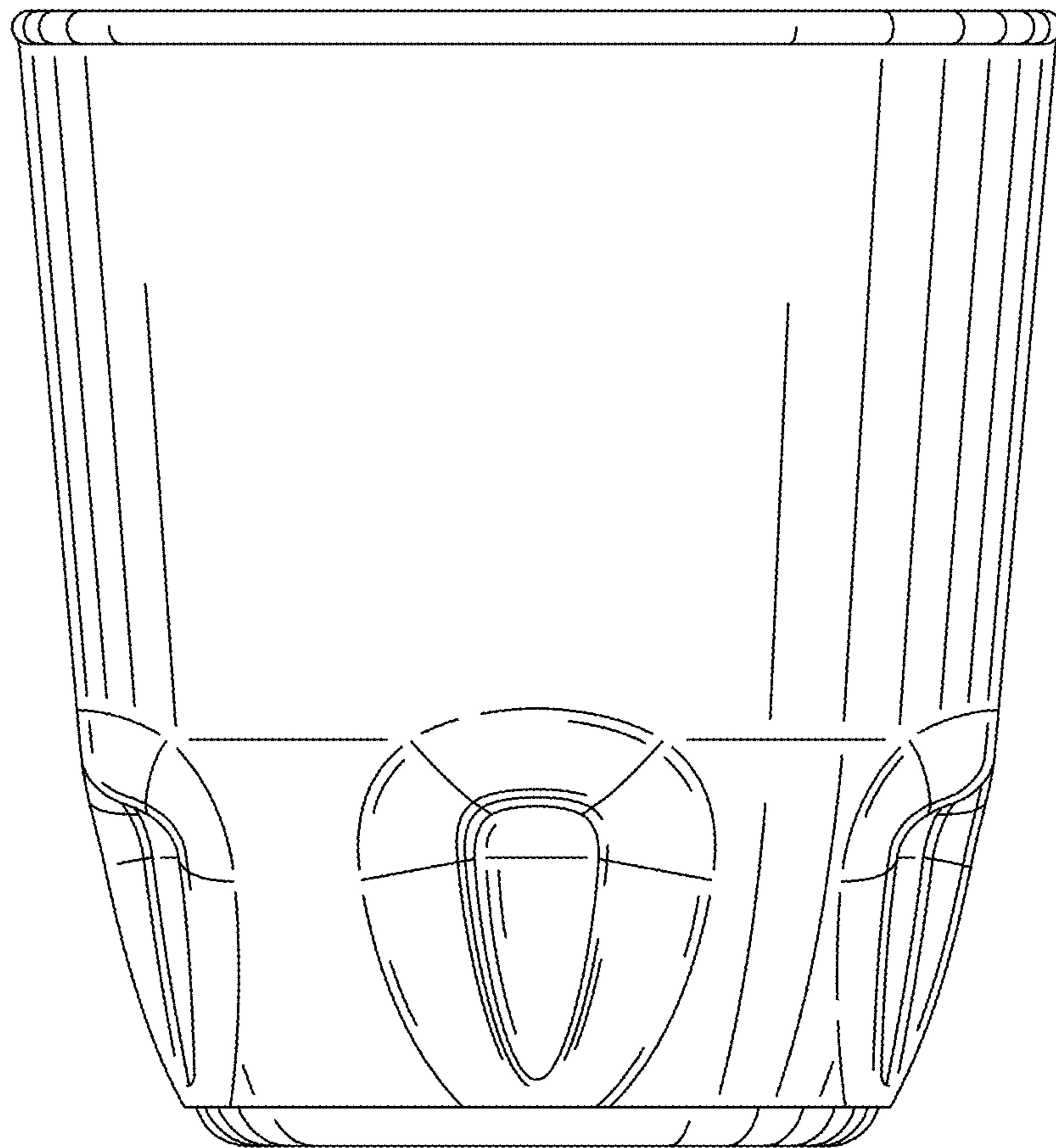


FIG. 3

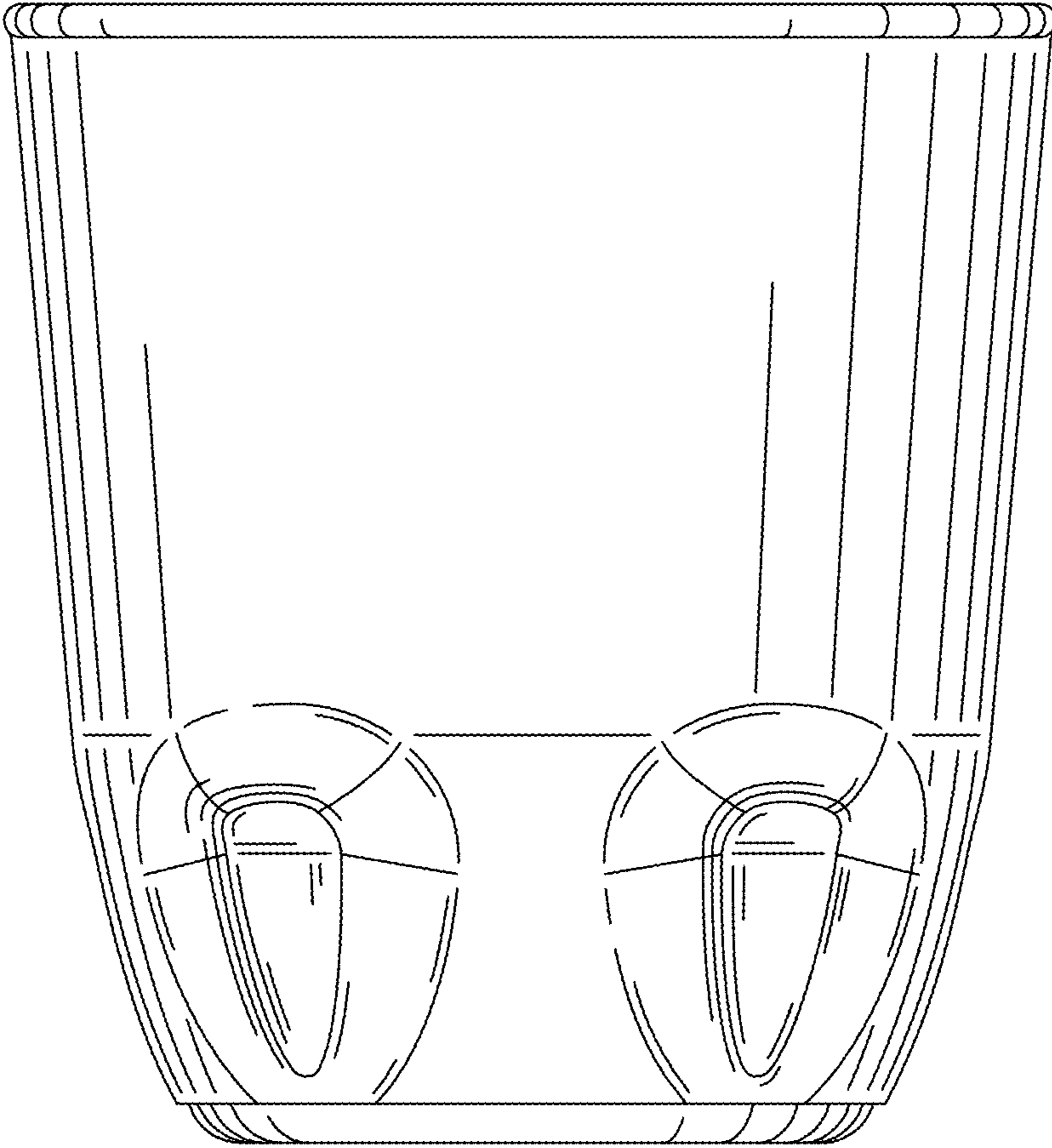


FIG. 4

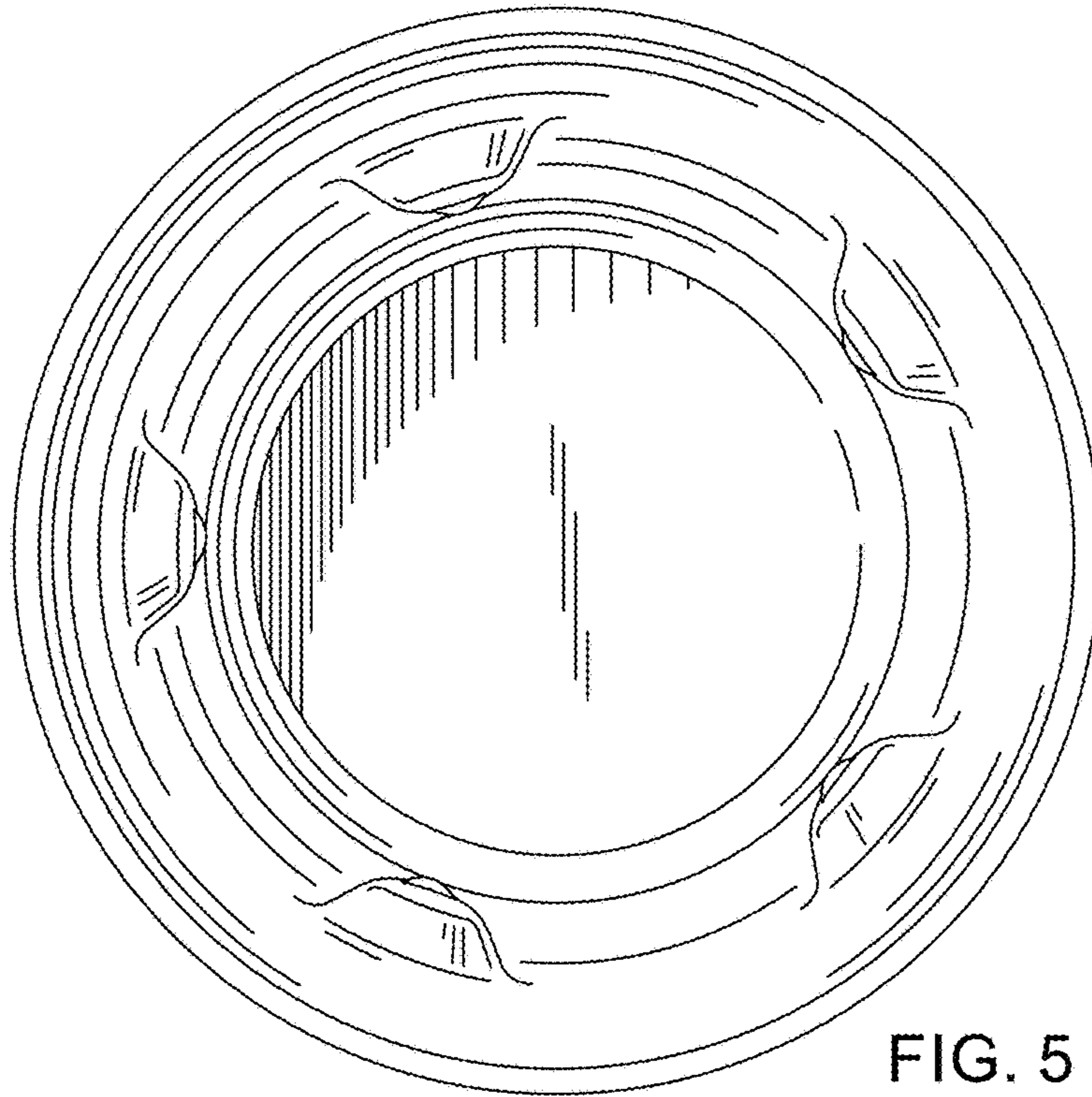


FIG. 5

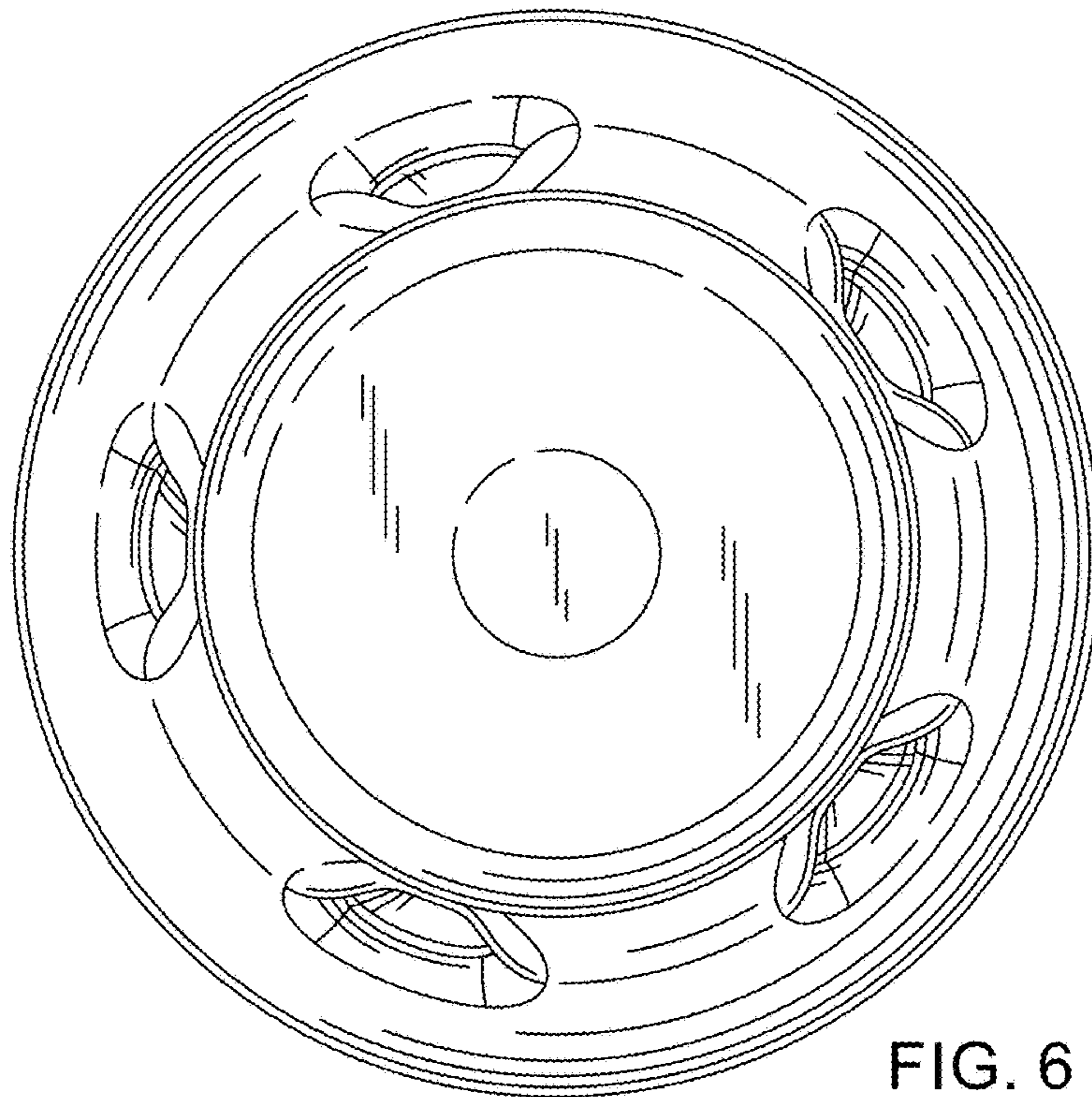


FIG. 6

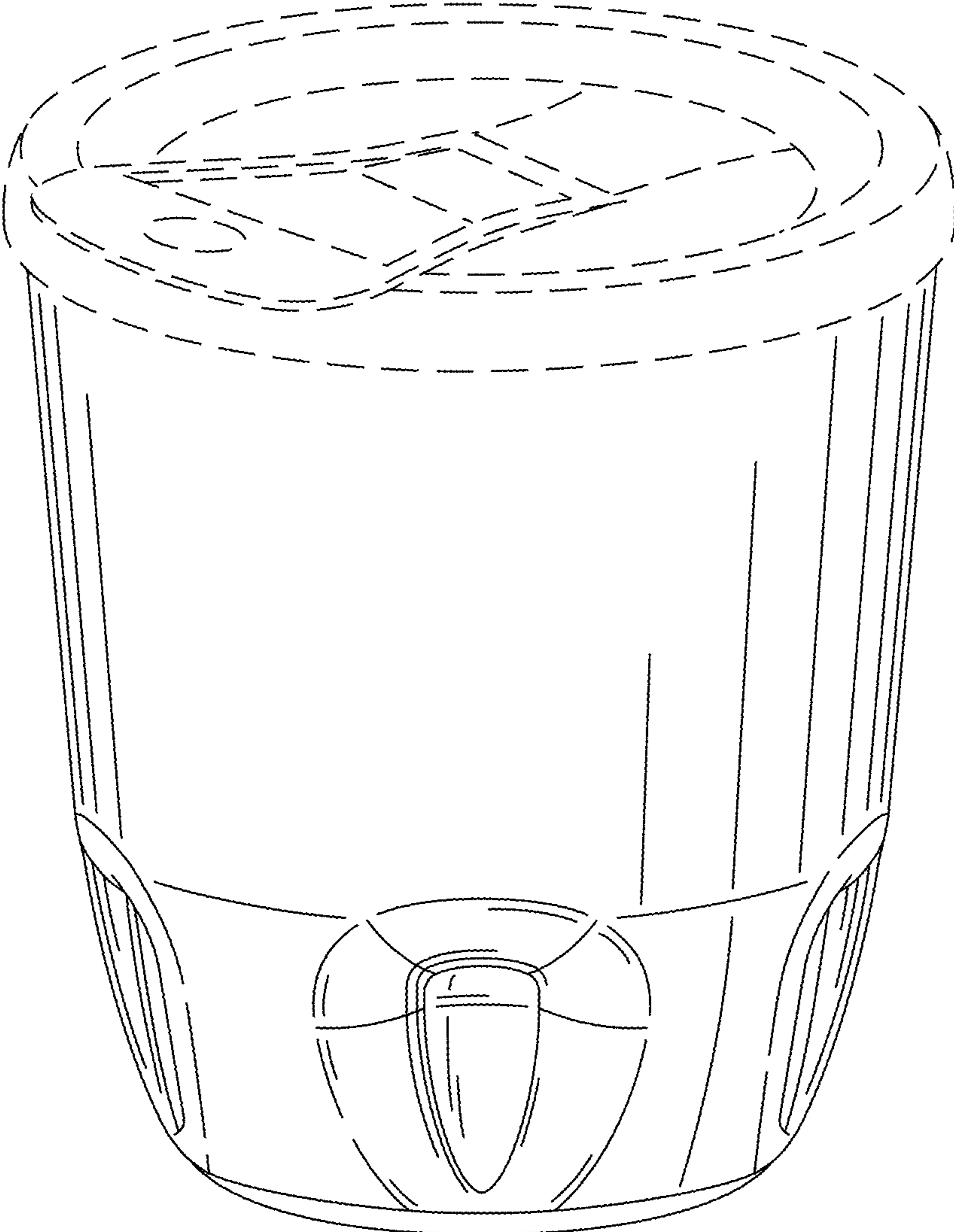


FIG. 7

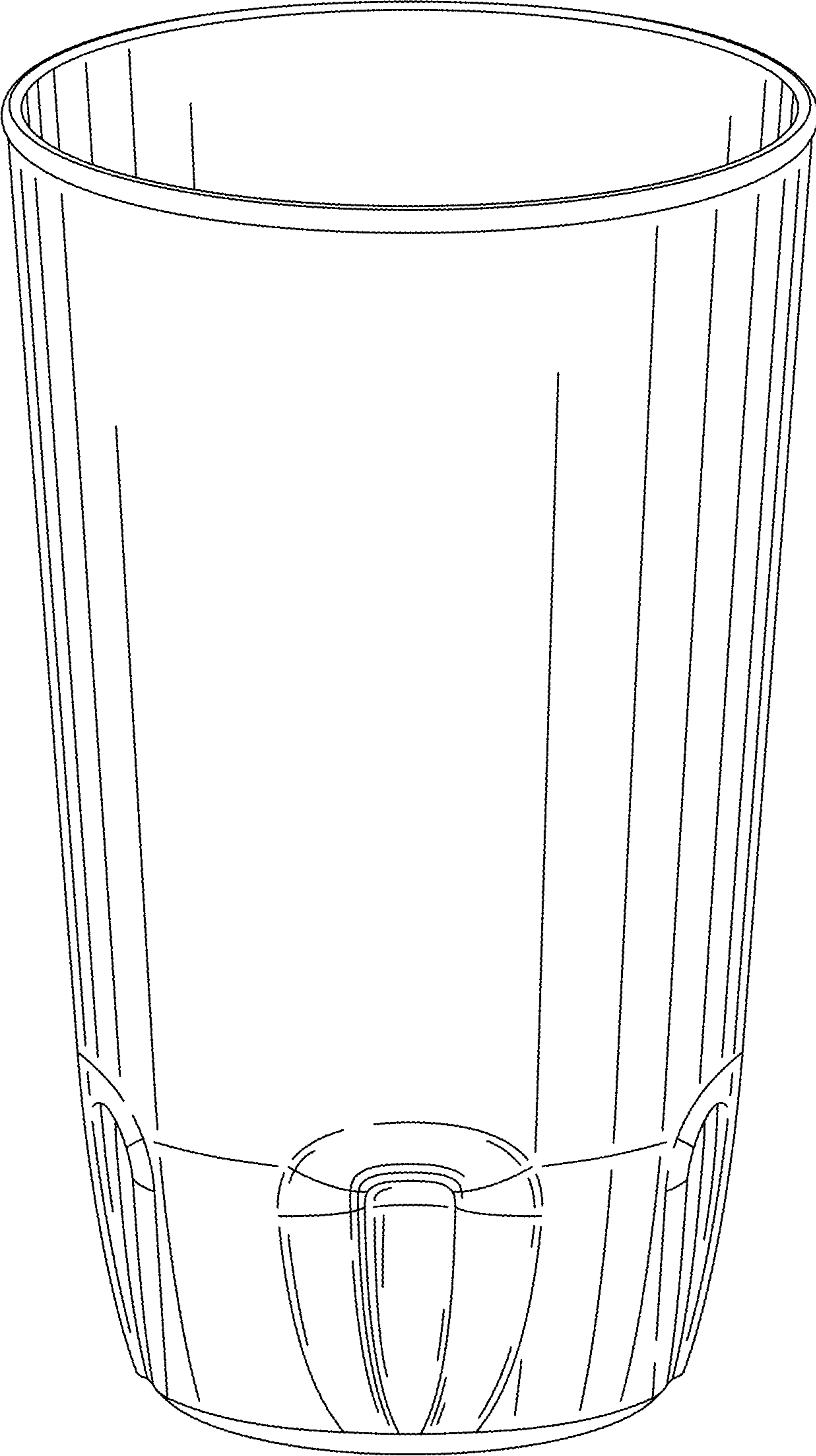


FIG. 8

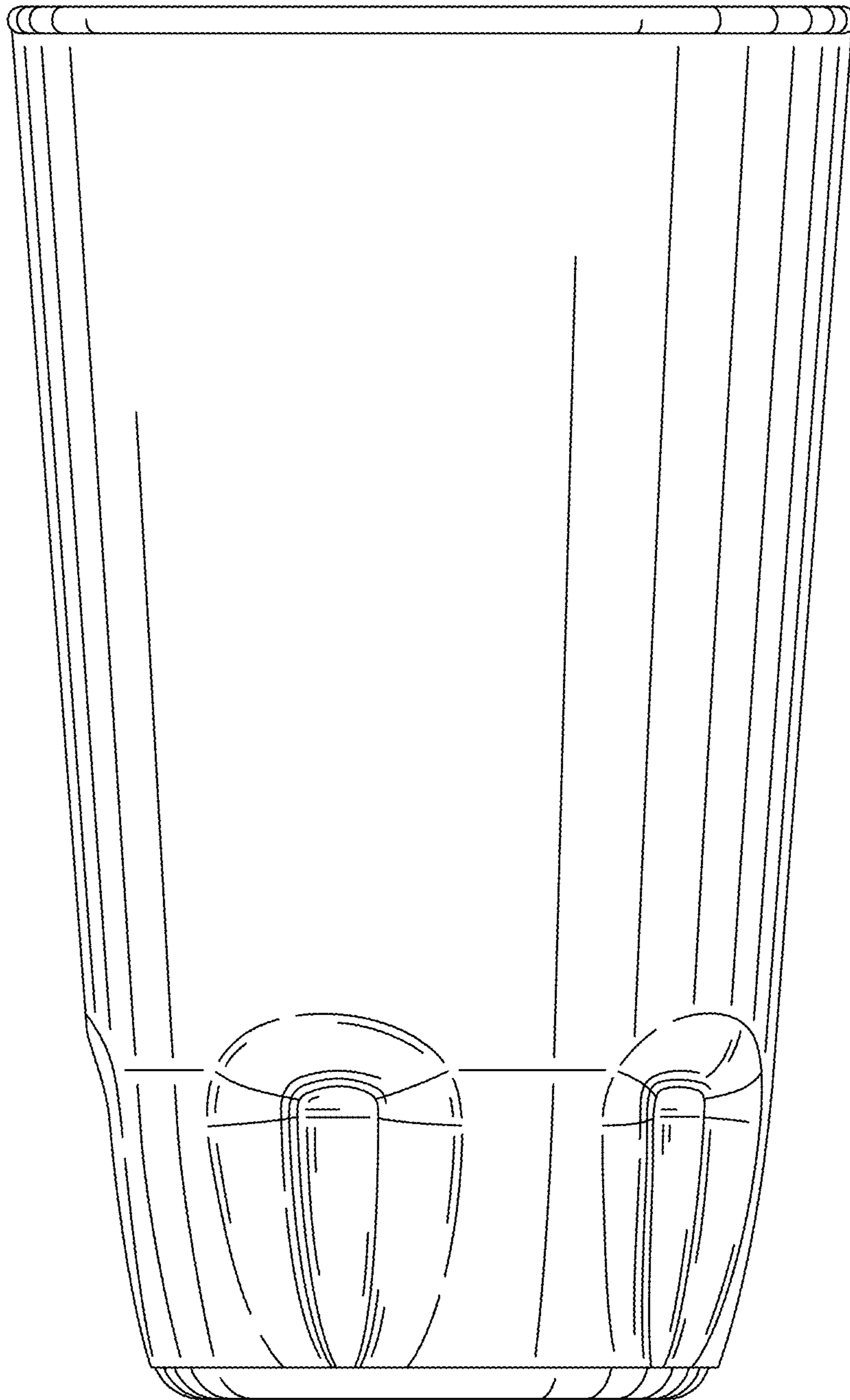


FIG. 9

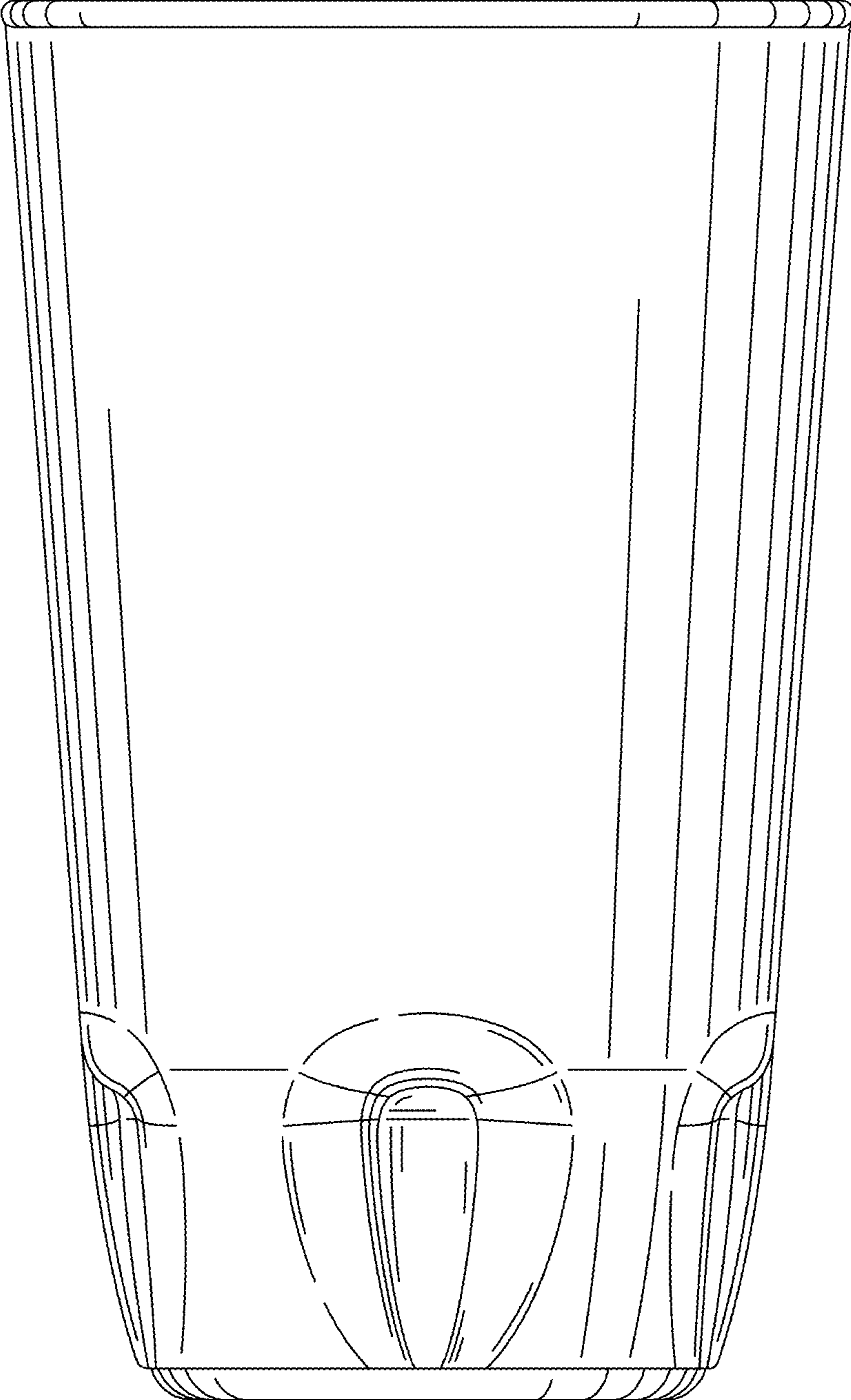


FIG. 10

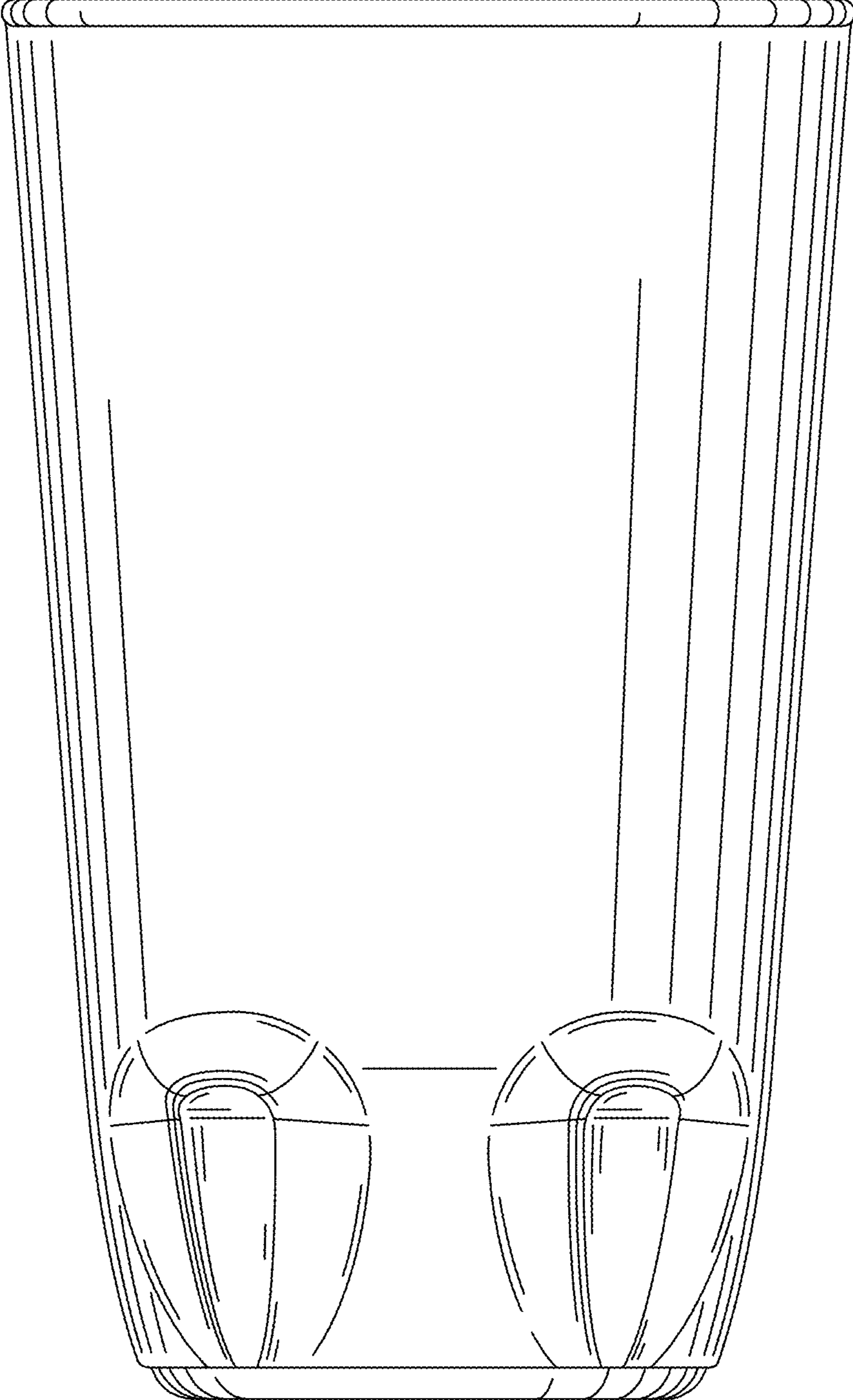


FIG. 11

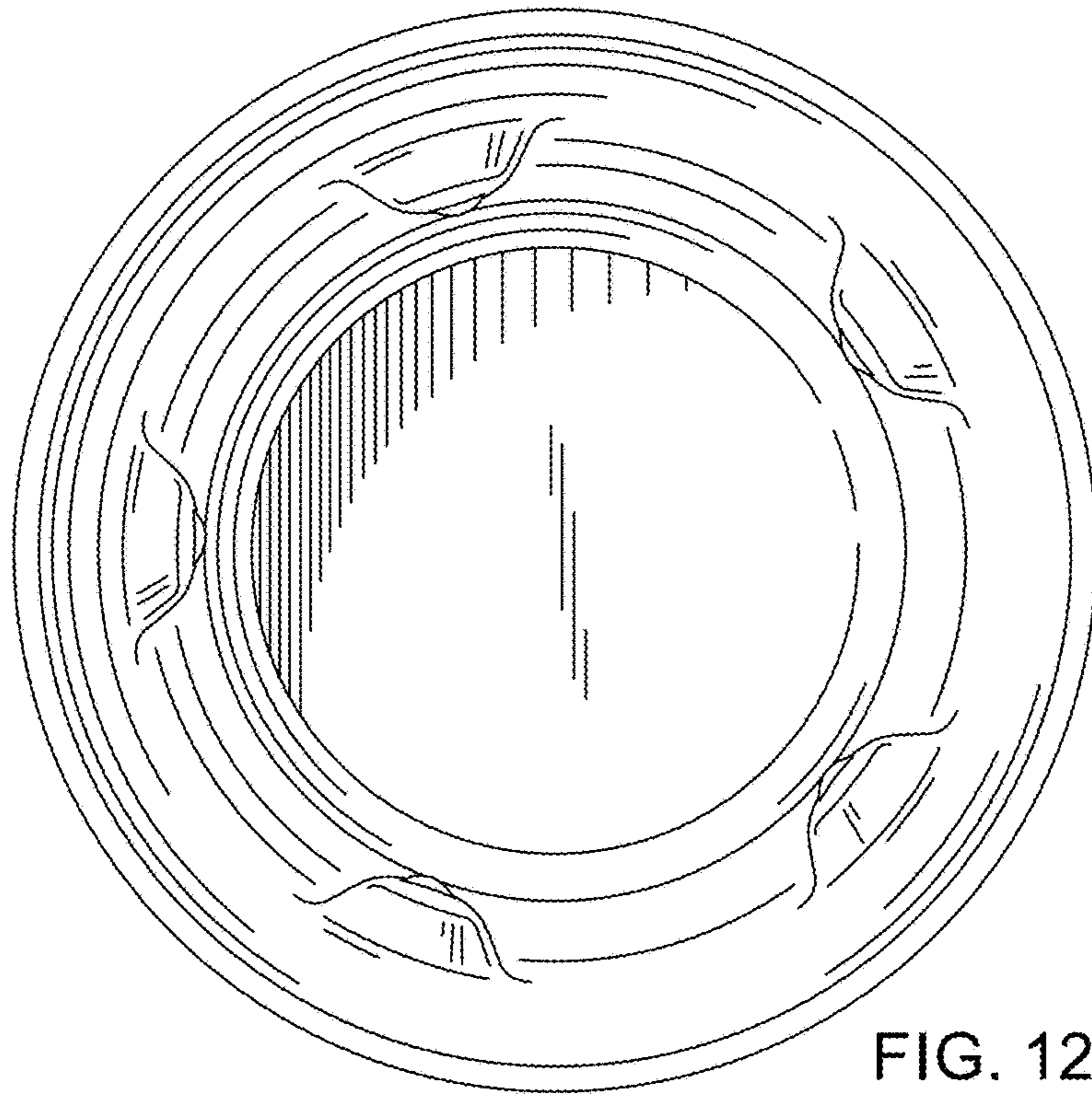


FIG. 12

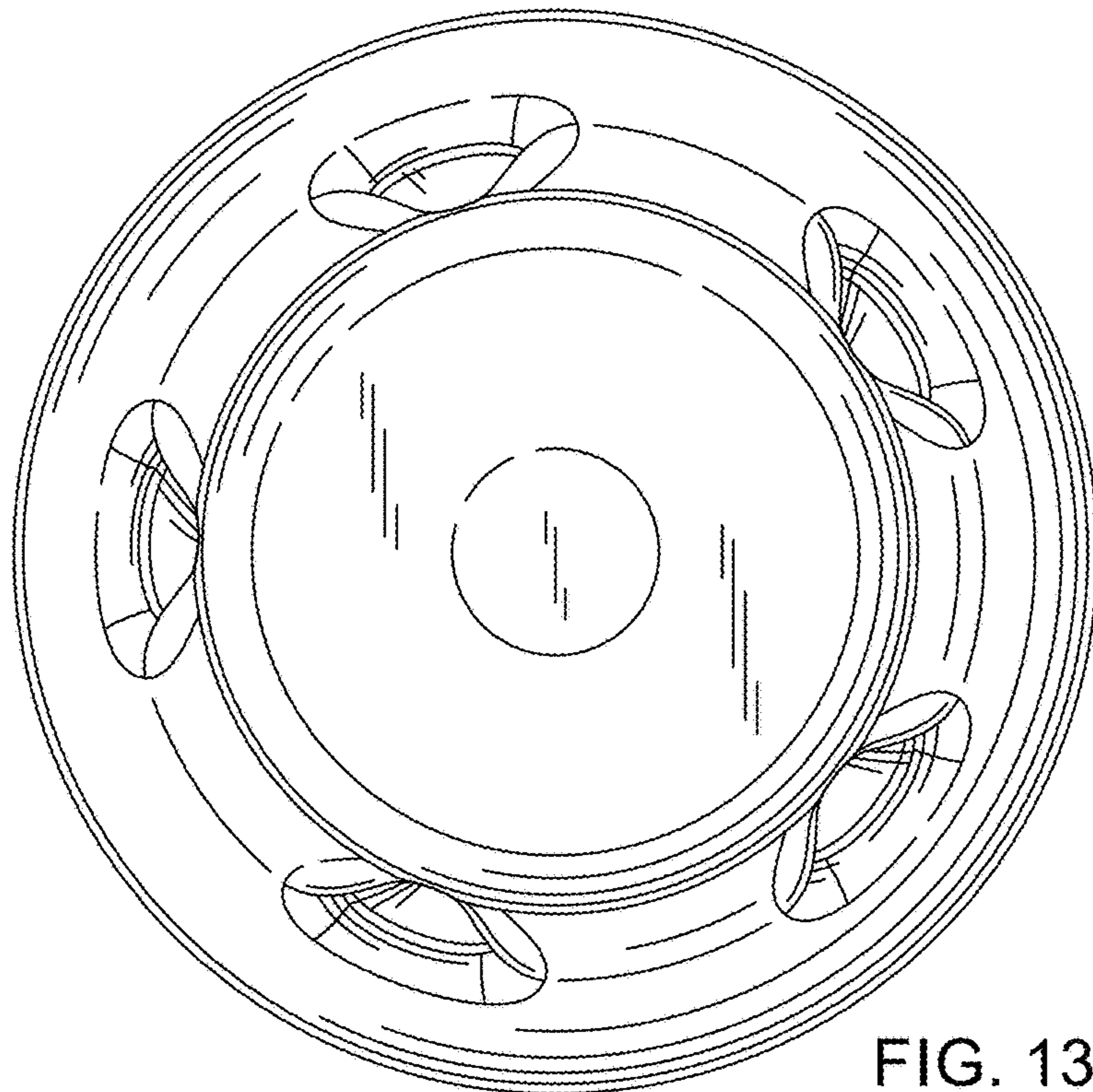


FIG. 13

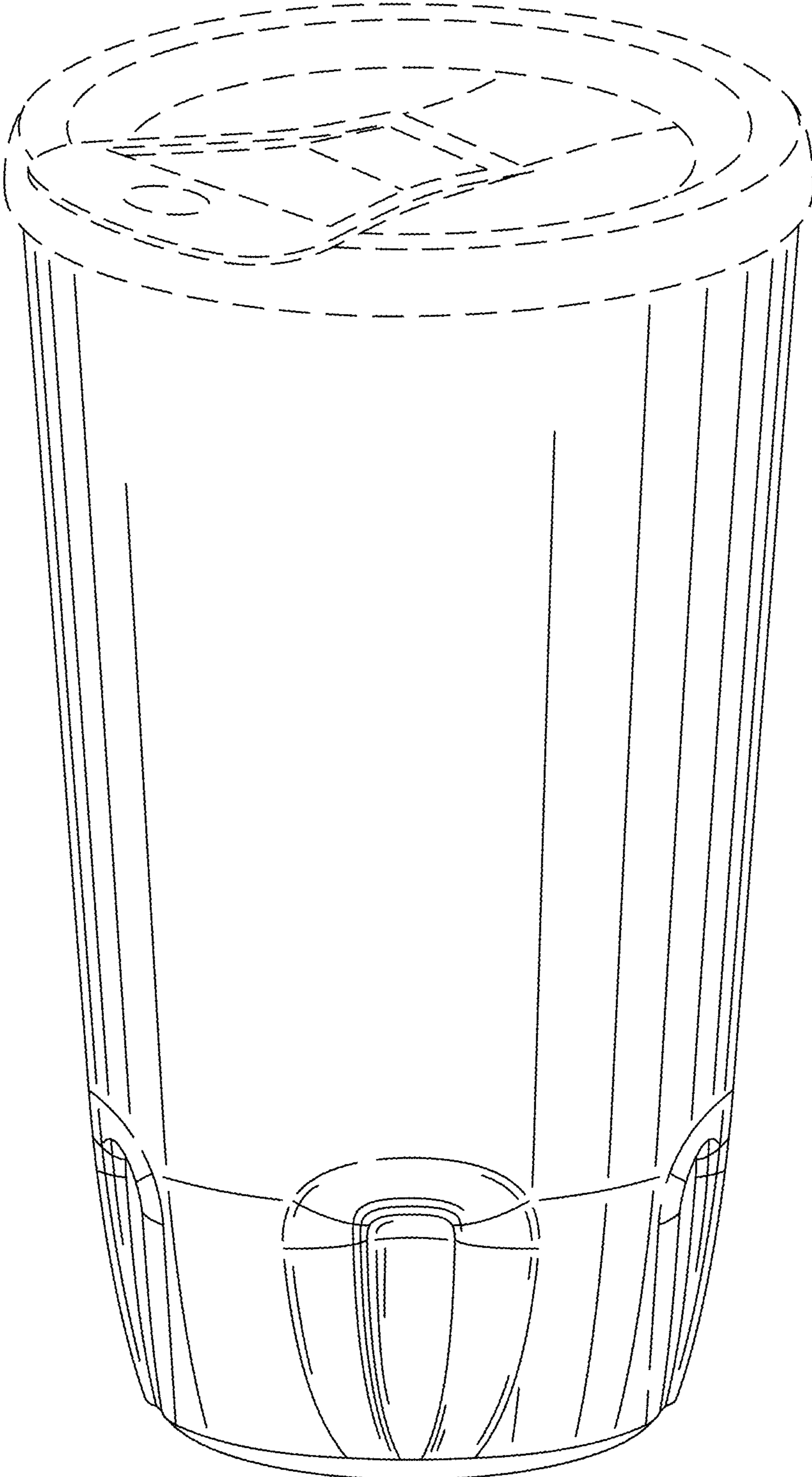


FIG. 14