



US00D805351S

(12) **United States Design Patent** (10) **Patent No.:** **US D805,351 S**  
**Hayami et al.** (45) **Date of Patent:** **\*\* Dec. 19, 2017**

(54) **BEVERAGE CONTAINER**

(71) Applicants: **Hideyo Hayami**, New York, NY (US);  
**Matthew Dolph**, New York, NY (US);  
**Tamotsu Matsumoto**, Chiba (JP);  
**Makiko Kida**, Ichikawa (JP); **Yelem Song**, Funabashi (JP)

(72) Inventors: **Hideyo Hayami**, New York, NY (US);  
**Matthew Dolph**, New York, NY (US);  
**Tamotsu Matsumoto**, Chiba (JP);  
**Makiko Kida**, Ichikawa (JP); **Yelem Song**, Funabashi (JP)

(73) Assignee: **HELEN OF TROY LIMITED**, St. Michael (BB)

(\*\*) Term: **15 Years**

(21) Appl. No.: **29/571,307**

(22) Filed: **Jul. 16, 2016**

(51) **LOC (10) Cl.** ..... **07-01**

(52) **U.S. Cl.**  
USPC ..... **D7/511; D9/529**

(58) **Field of Classification Search**  
USPC ..... D7/509–511, 523; D9/500, 502–505,  
D9/516, 529–530, 537–540, 549, 558,  
D9/575, 682, 686, 688–691; D28/85, 88,  
D28/89; 215/379, 381, 382; 220/660,  
220/669–673  
CPC ..... A47G 19/22

See application file for complete search history.

(56) **References Cited**

U.S. PATENT DOCUMENTS

D629,691 S *	12/2010	Cresswell .....	D9/500
D671,836 S *	12/2012	DeMarco .....	D9/503
D714,162 S *	9/2014	Kang .....	D9/504
D751,404 S *	3/2016	Li .....	D9/500
D784,775 S *	4/2017	Seiders .....	D7/510

\* cited by examiner

*Primary Examiner* — Daniel D Bui

*Assistant Examiner* — Andrew Kerr

(57) **CLAIM**

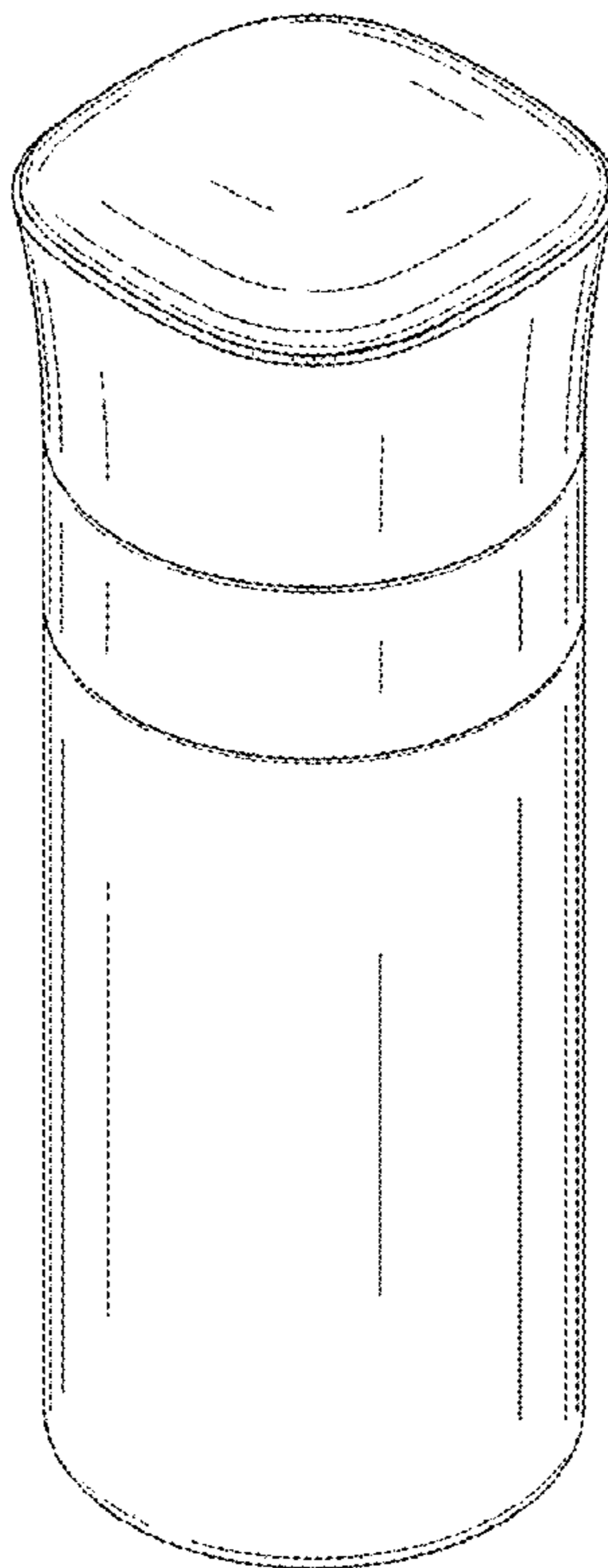
The ornamental design for a beverage container, as shown, and described.

**DESCRIPTION**

FIG. 1 is a perspective view of a beverage container, showing our new design;  
FIG. 2 is a side view of a beverage container;  
FIG. 3 is an alternate side view of a beverage container;  
FIG. 4 is a bottom view of a beverage container;  
FIG. 5 is a top view of a beverage container; and,  
FIG. 6 is a perspective view of a beverage container in a use environment with its top removed.

The broken lines in the drawing views represent unclaimed portions of a beverage container, which are included for the purpose of illustrating unclaimed environment only, and forms no part of the claimed design.

**1 Claim, 6 Drawing Sheets**



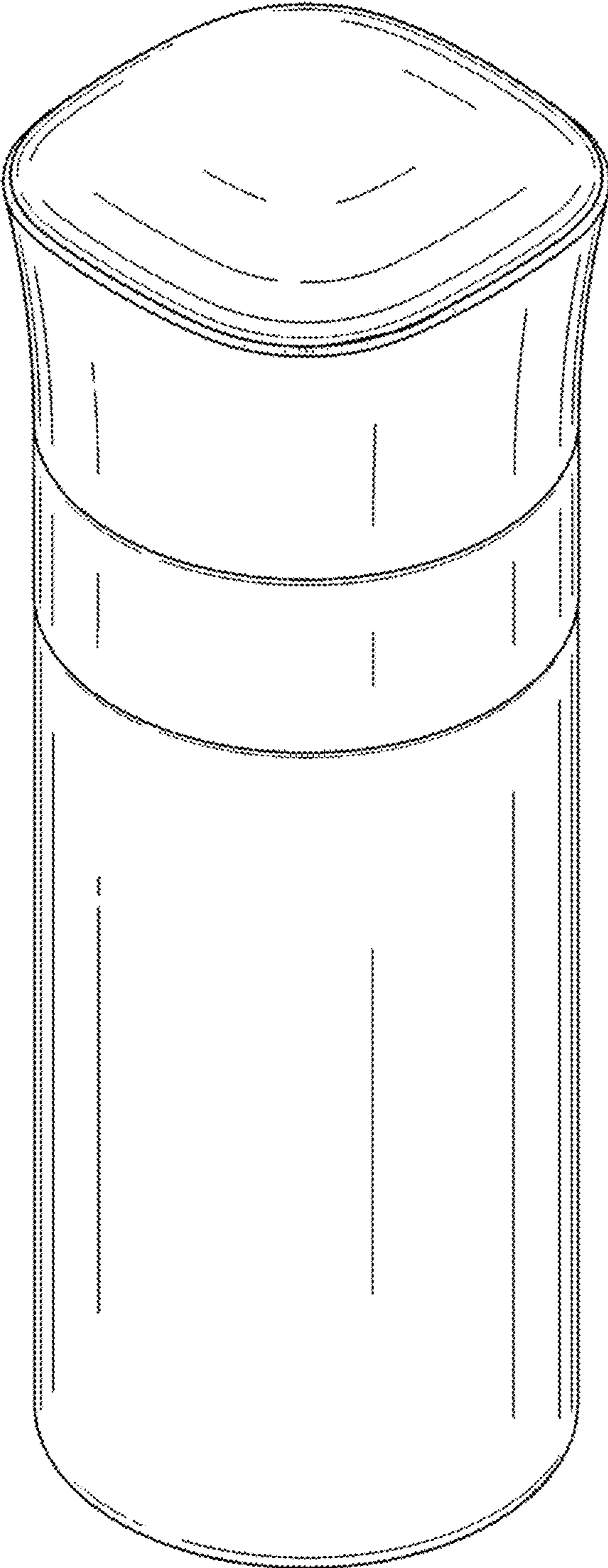


FIG. 1

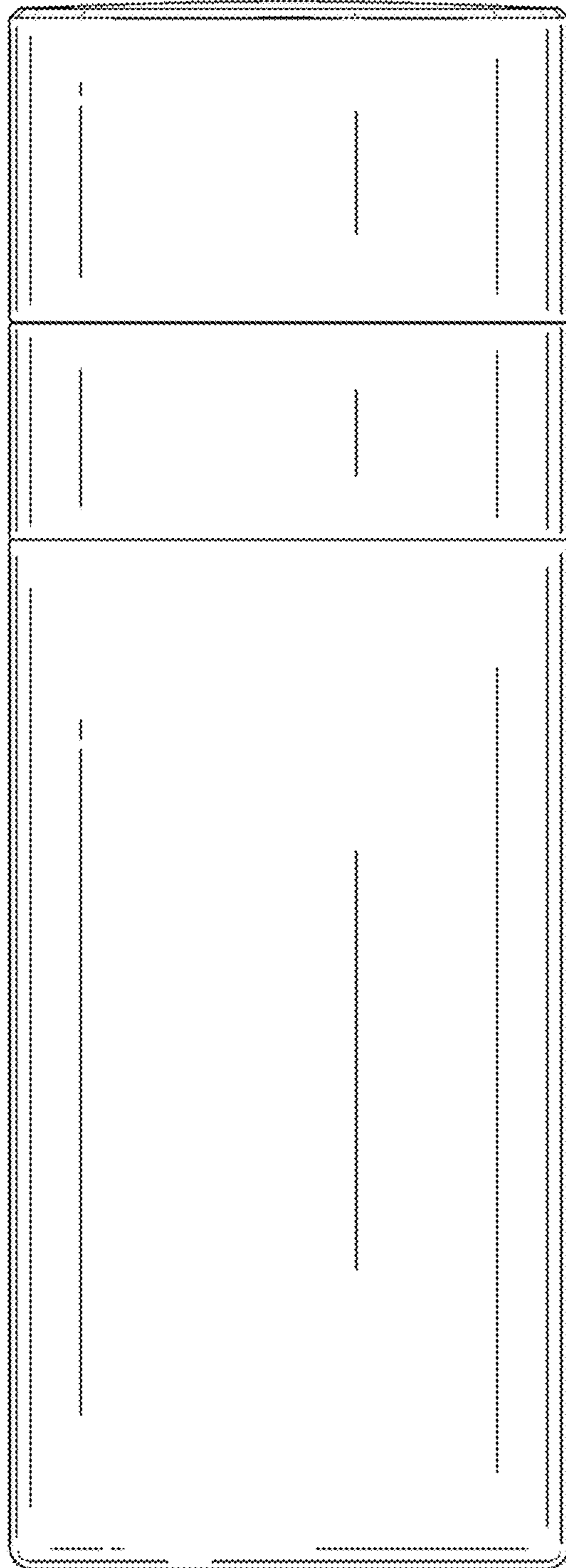


FIG. 2

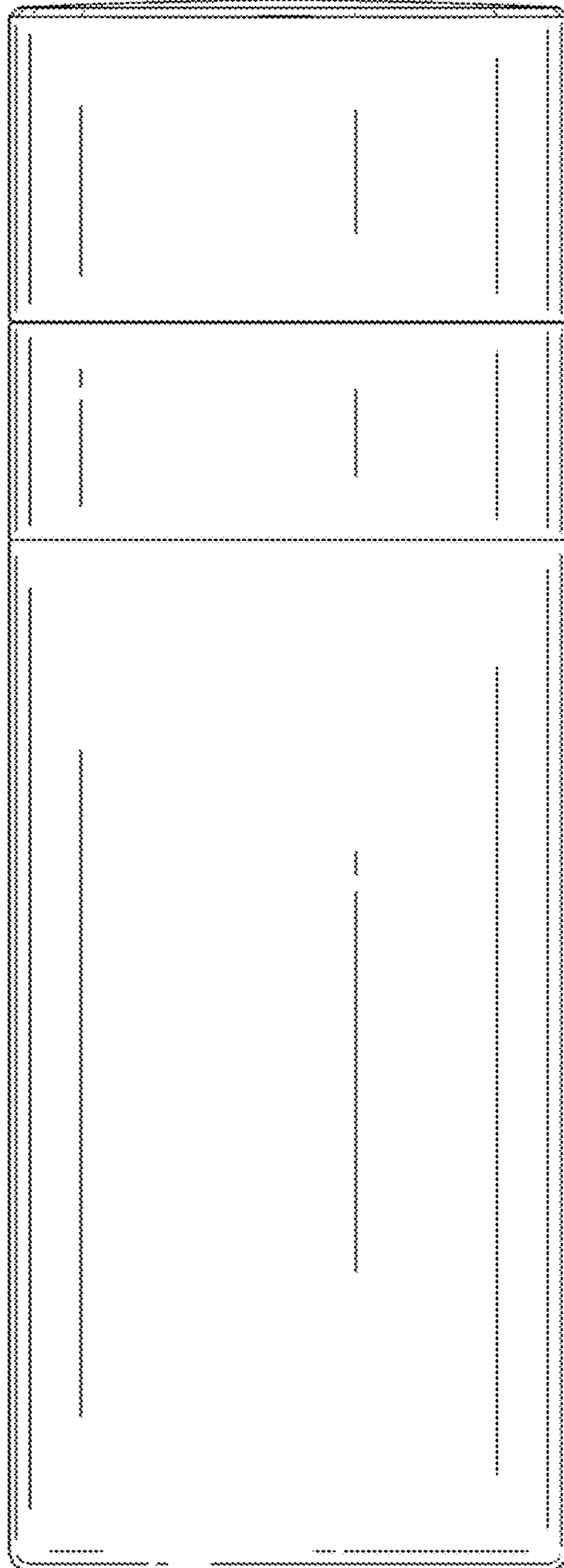


FIG. 3

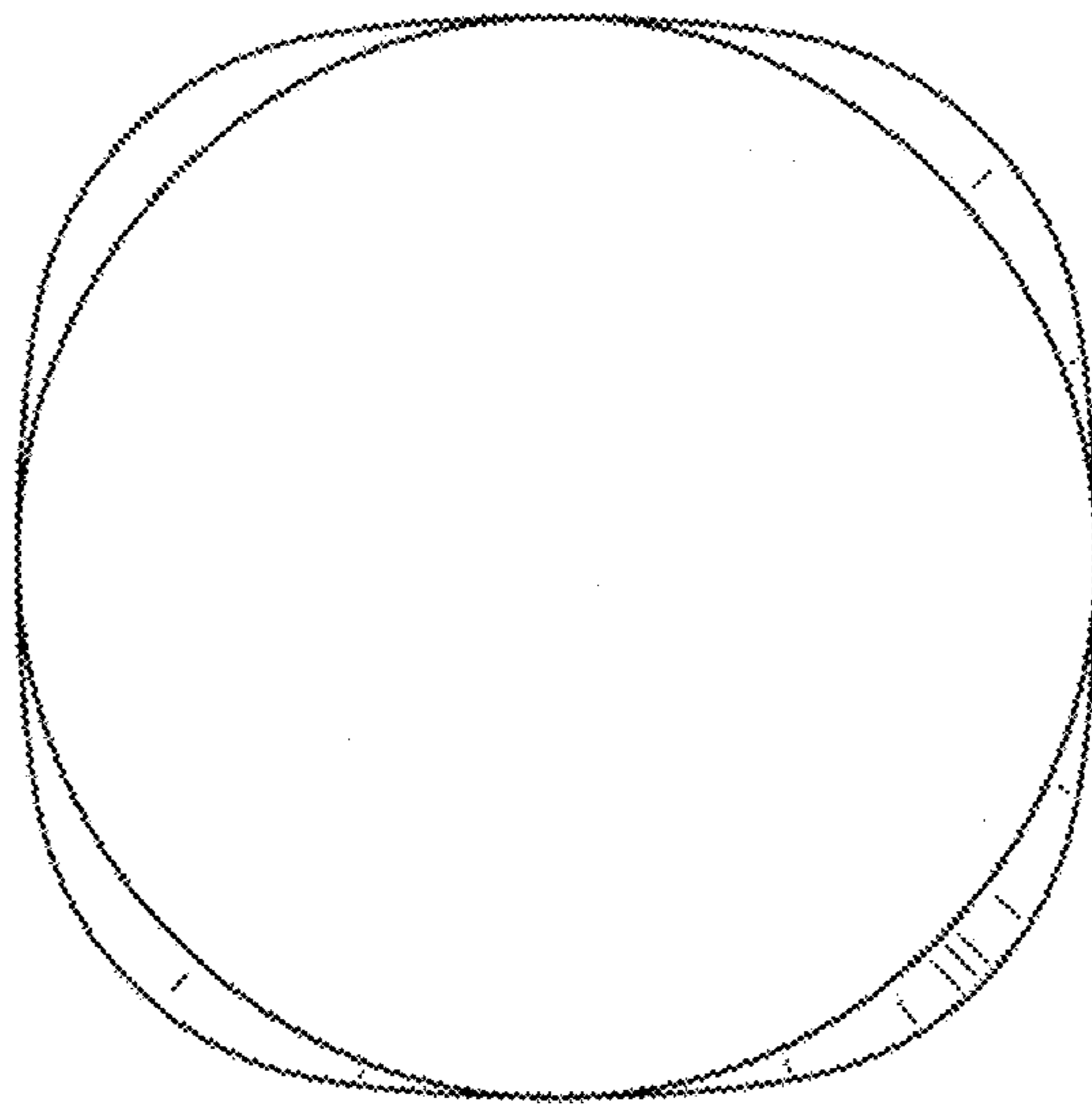


FIG. 4

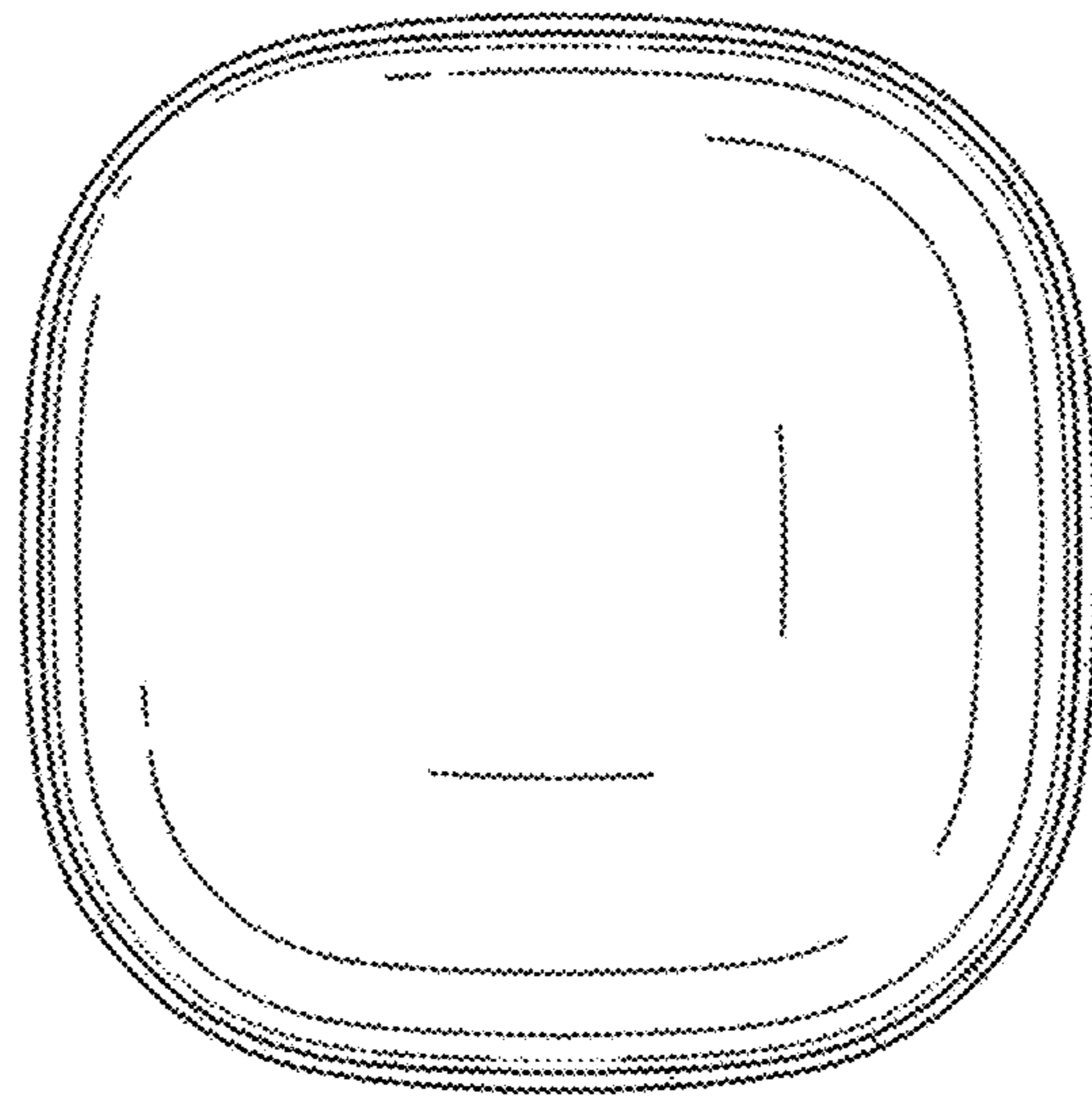


FIG. 5



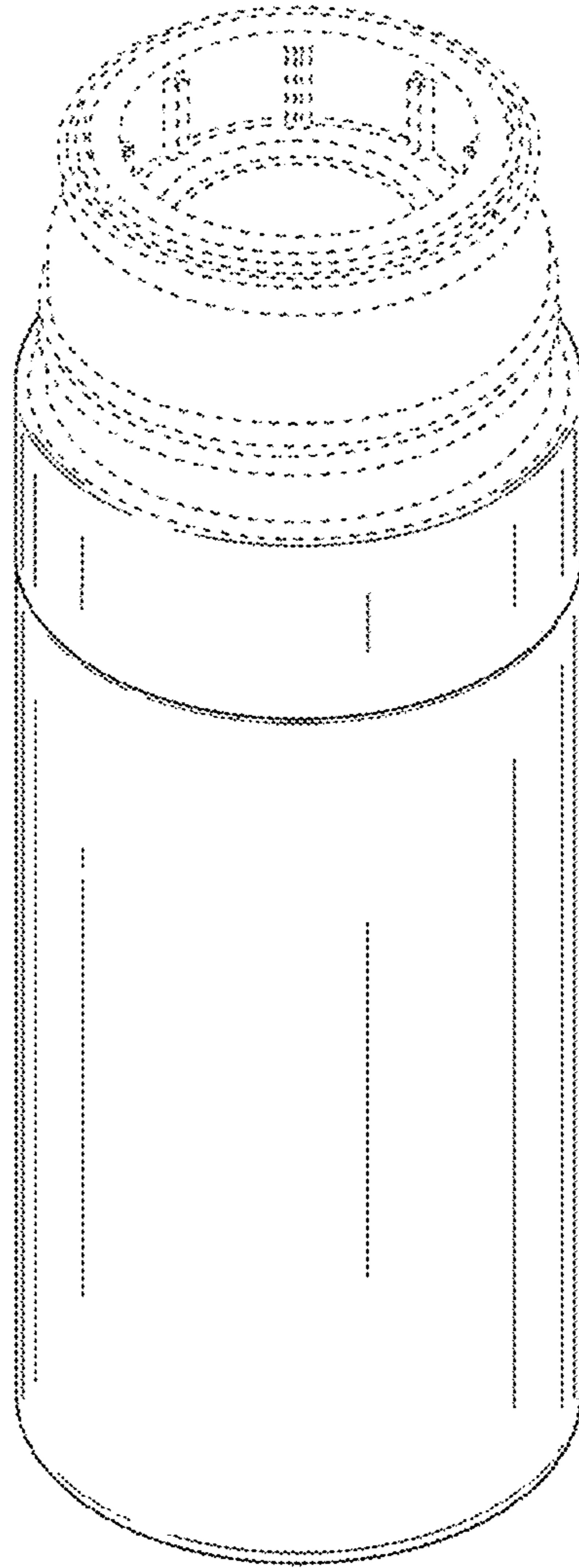


FIG. 6