

US00D805350S

(12) **United States Design Patent** (10) **Patent No.:** **US D805,350 S**
Cetera et al. (45) **Date of Patent:** **** Dec. 19, 2017**

(54) **BOTTLE**

(56) **References Cited**

(71) Applicants: **Carl Cetera**, Westfield, NJ (US);
Jeffrey Steel, Hoboken, NJ (US);
Jillian Walbroel, Woodland Park, NJ
(US)

U.S. PATENT DOCUMENTS

D496,222	S	*	9/2004	Kleckauskas	D7/507
D563,228	S	*	3/2008	Nottingham	D9/531
D564,887	S	*	3/2008	Gruskin	D9/531
D651,854	S	*	1/2012	Cabados	D7/510
D686,501	S	*	7/2013	Maas	D9/531
D719,028	S	*	12/2014	Tiet	D9/531
D726,015	S	*	4/2015	Jasso Gomez	D9/531
D745,799	S	*	12/2015	Lipson	D7/300
D750,434	S	*	3/2016	Kirkpatrick	D7/510
9,457,934	B1	*	10/2016	Kirkpatrick	A47G 19/2266
D782,877	S	*	4/2017	Cetera	D7/510

(72) Inventors: **Carl Cetera**, Westfield, NJ (US);
Jeffrey Steel, Hoboken, NJ (US);
Jillian Walbroel, Woodland Park, NJ
(US)

(73) Assignee: **Cotapaxi Custom Design and
Manufacturing LLC**, Carlstadt, NJ
(US)

* cited by examiner

(**) Term: **15 Years**

Primary Examiner — Daniel D Bui

Assistant Examiner — Andrew Kerr

(21) Appl. No.: **29/597,884**

(74) *Attorney, Agent, or Firm* — Steven E. Shapiro

(22) Filed: **Mar. 21, 2017**

(57) **CLAIM**

The ornamental design for a bottle, as shown and described.

Related U.S. Application Data

DESCRIPTION

(63) Continuation of application No. 29/560,863, filed on
Apr. 11, 2016, now Pat. No. Des. 782,877.

(51) **LOC (10) Cl.** **07-01**

(52) **U.S. Cl.**
USPC **D7/510; D9/516**

(58) **Field of Classification Search**
USPC D7/510, 533, 536, 511; D9/516, 523,
D9/529, 531, 738; 215/386, 387, 395,
215/396, 398, 273, 276; 220/755, 752,
220/771, 703, 710.5

CPC B65D 1/02; B65D 2501/0081; B65D
2525/288; B65D 25/205; B65D 25/28;
B65D 25/56; B65D 50/04; B65D 50/048

See application file for complete search history.

FIG. 1 is a top, left perspective view of a bottle, showing our
new design;

FIG. 2 is a bottom perspective view of the bottle;

FIG. 3 is a front view of the bottle;

FIG. 4 is a rear view of the bottle;

FIG. 5 is a right side view of the bottle;

FIG. 6 is a left side view of the bottle;

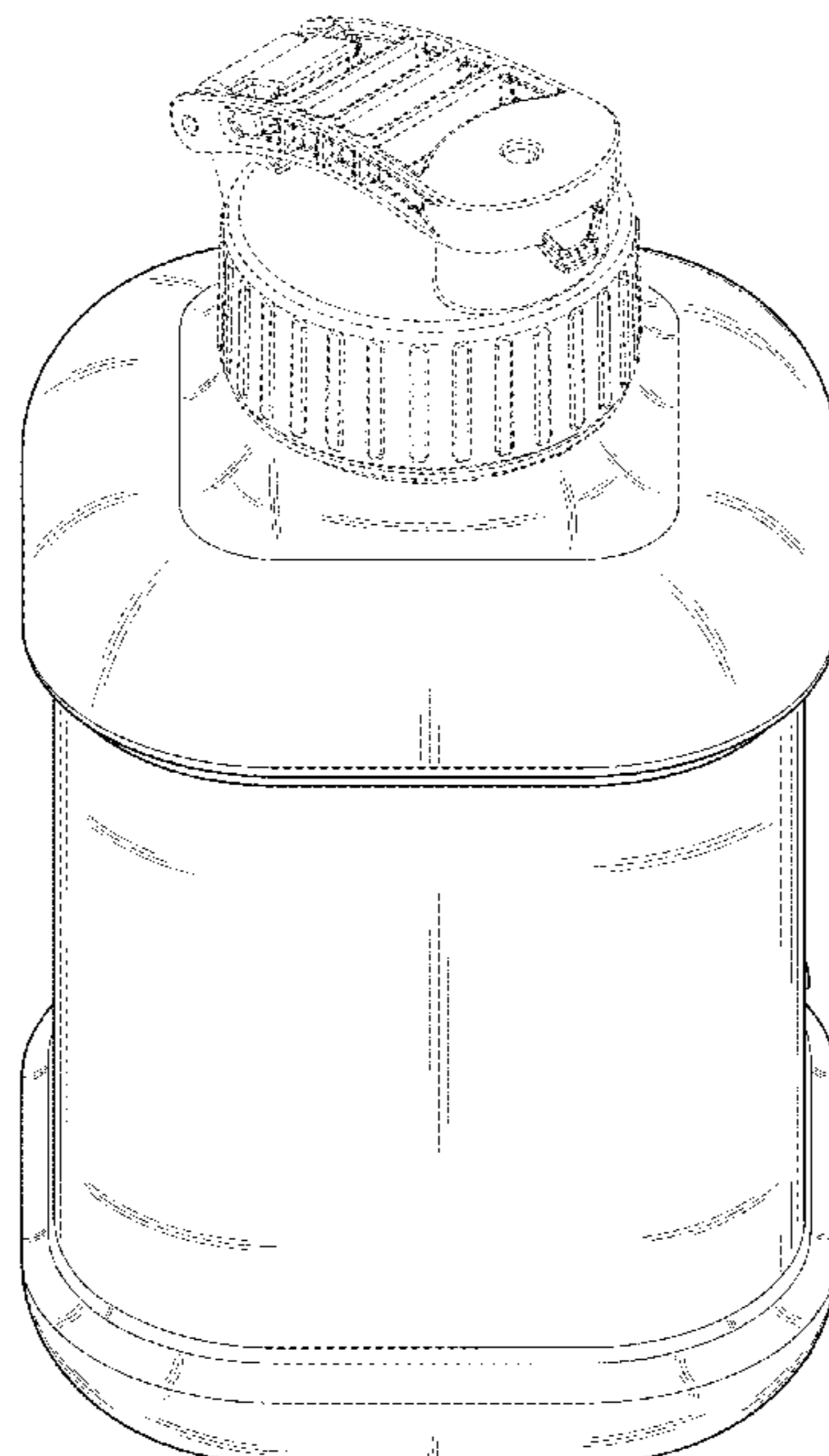
FIG. 7 is a top view of the bottle;

FIG. 8 is a bottom view of the bottle; and,

FIG. 9 is a top, right perspective view of the bottle.

The broken lines showing in the figures are included for the
purpose of illustrating portions of the bottle that form no part
of the claimed design.

1 Claim, 9 Drawing Sheets



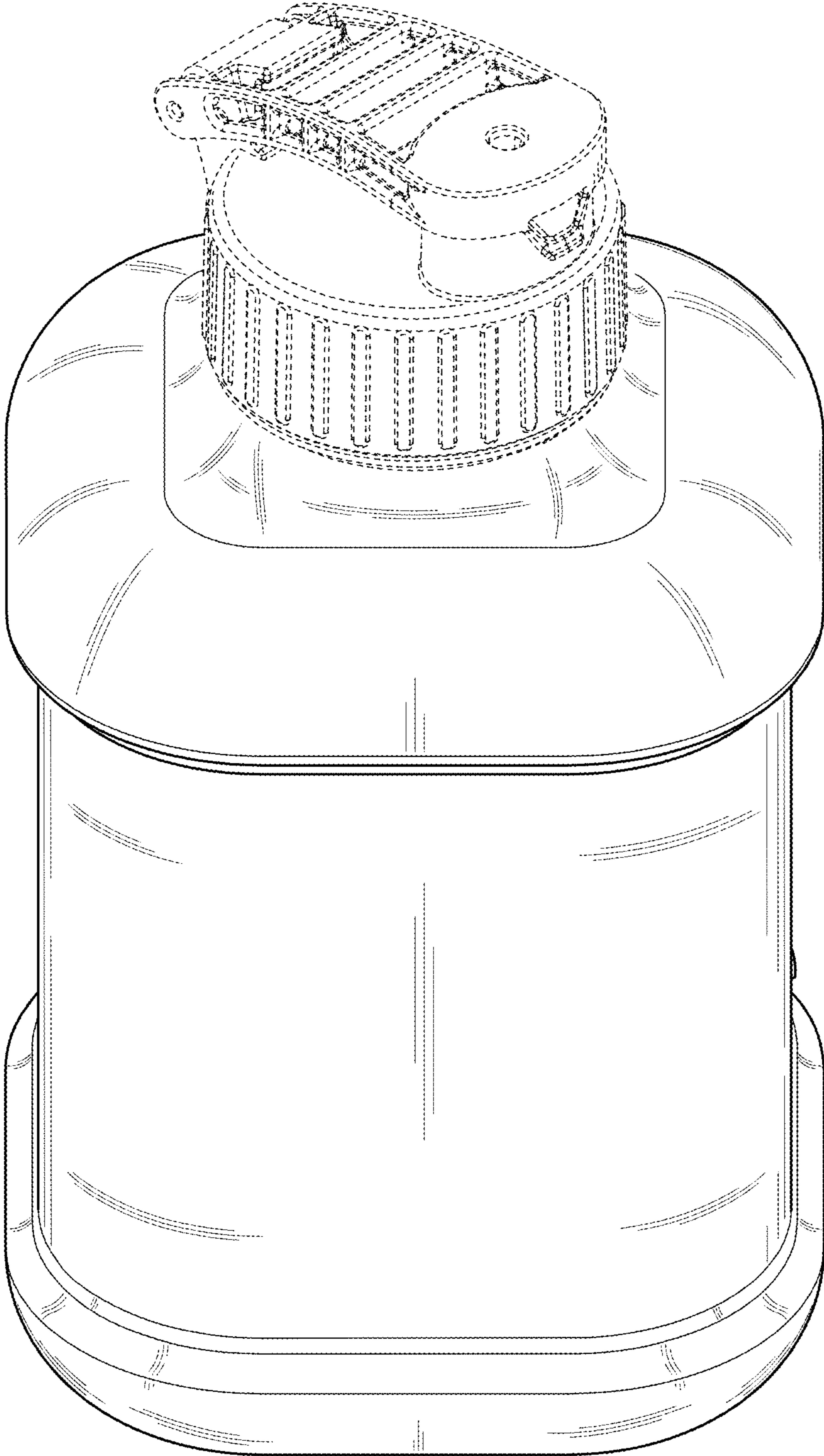


FIG. 1

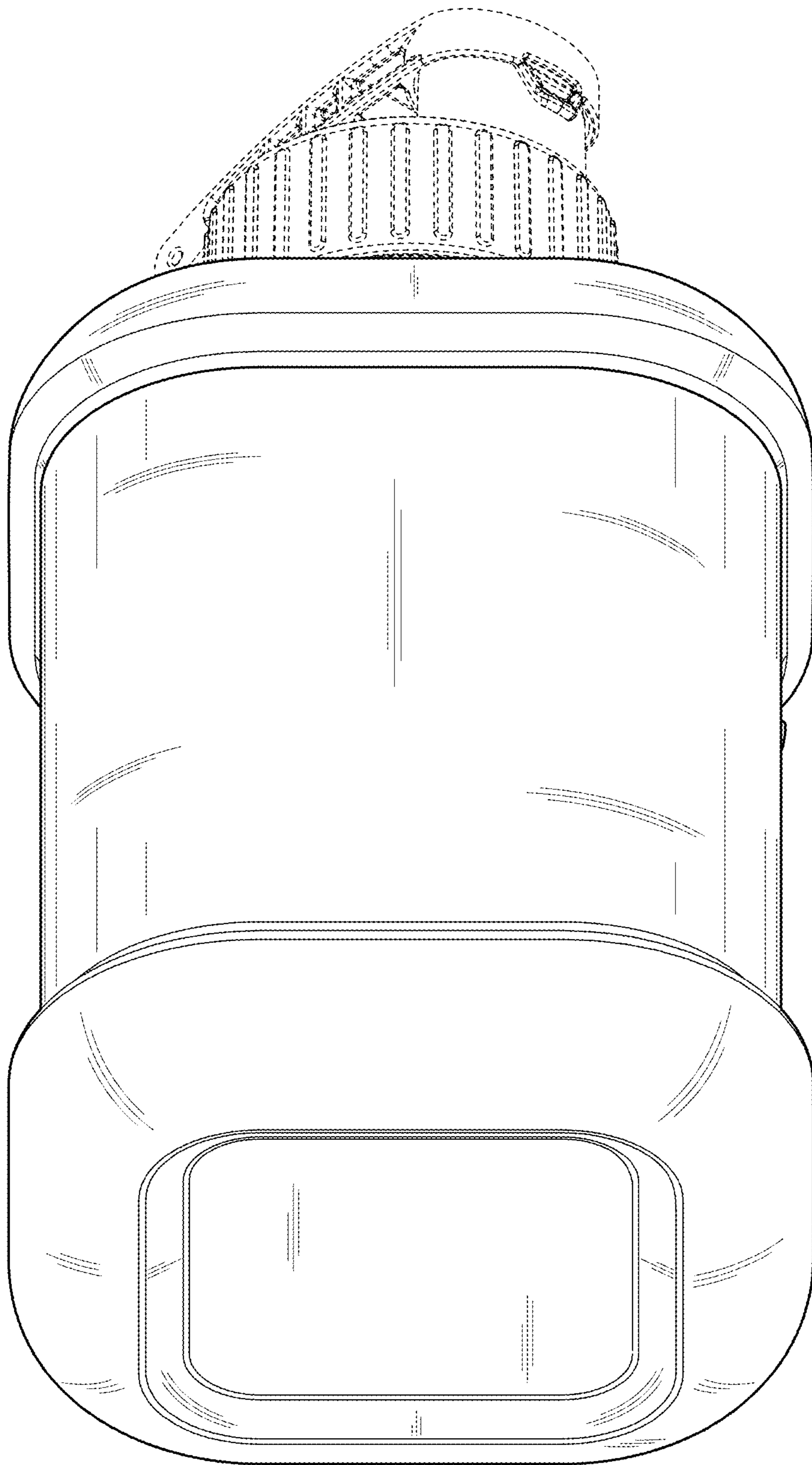


FIG. 2

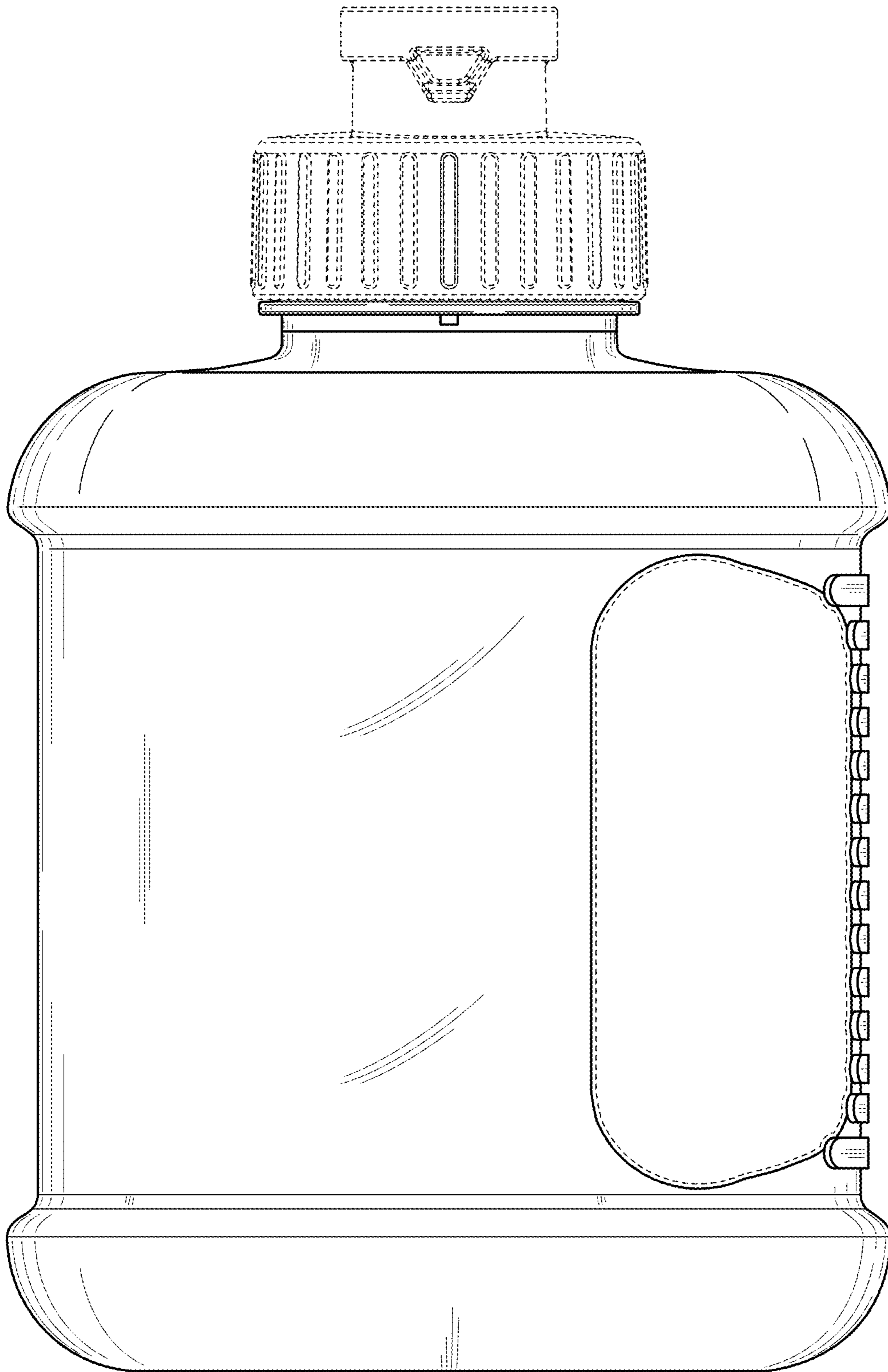


FIG. 3

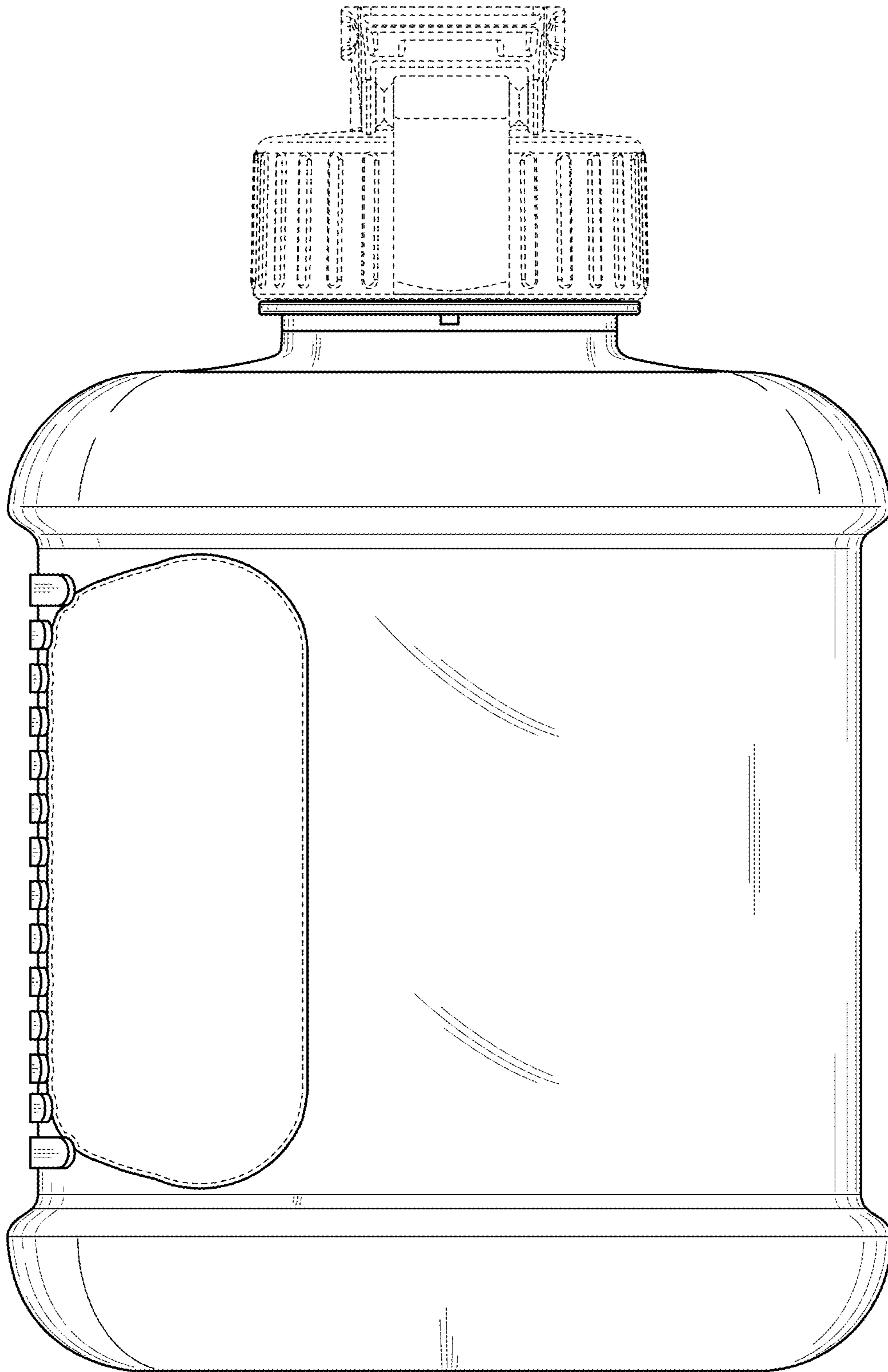


FIG. 4

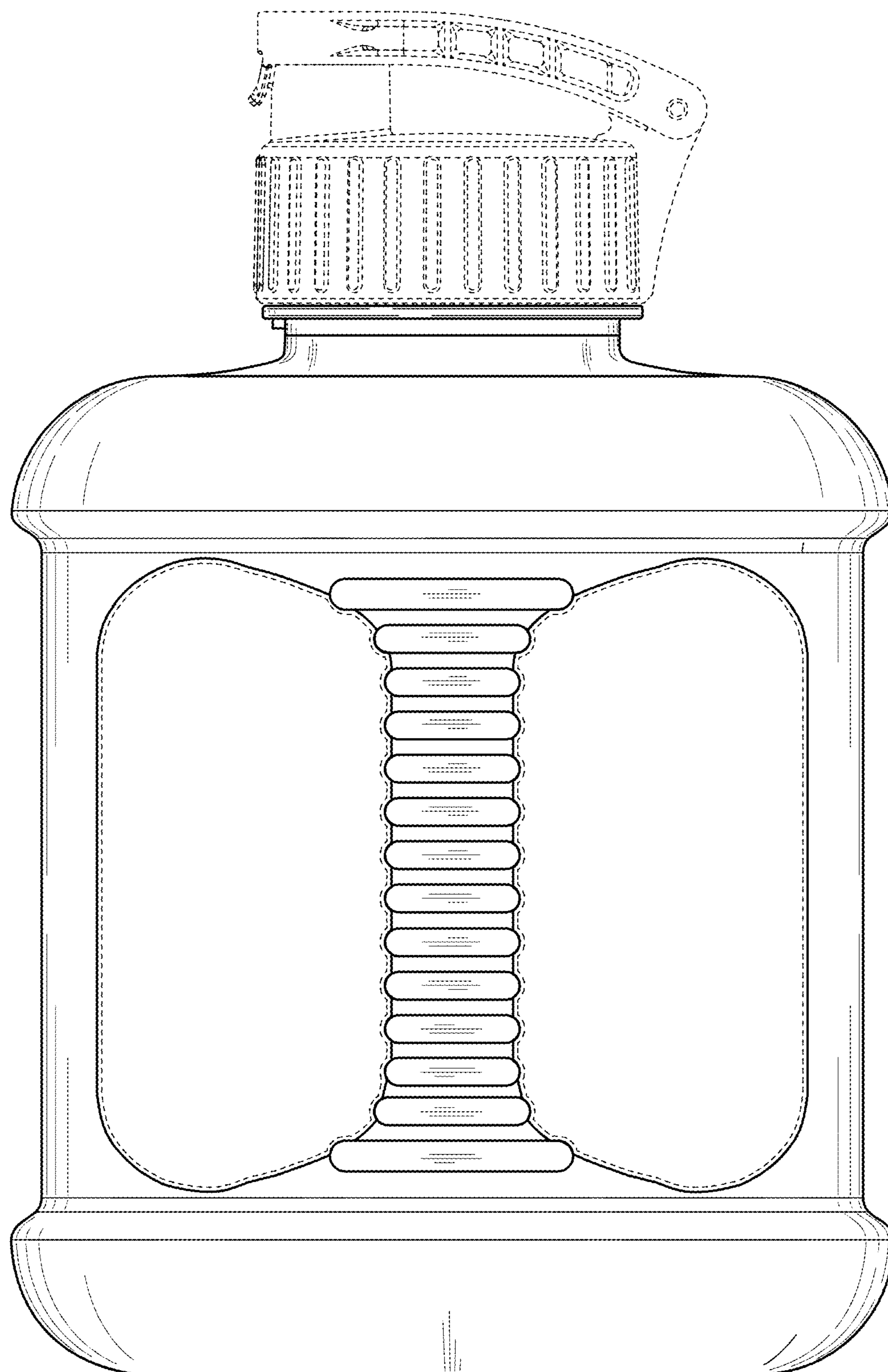


FIG. 5

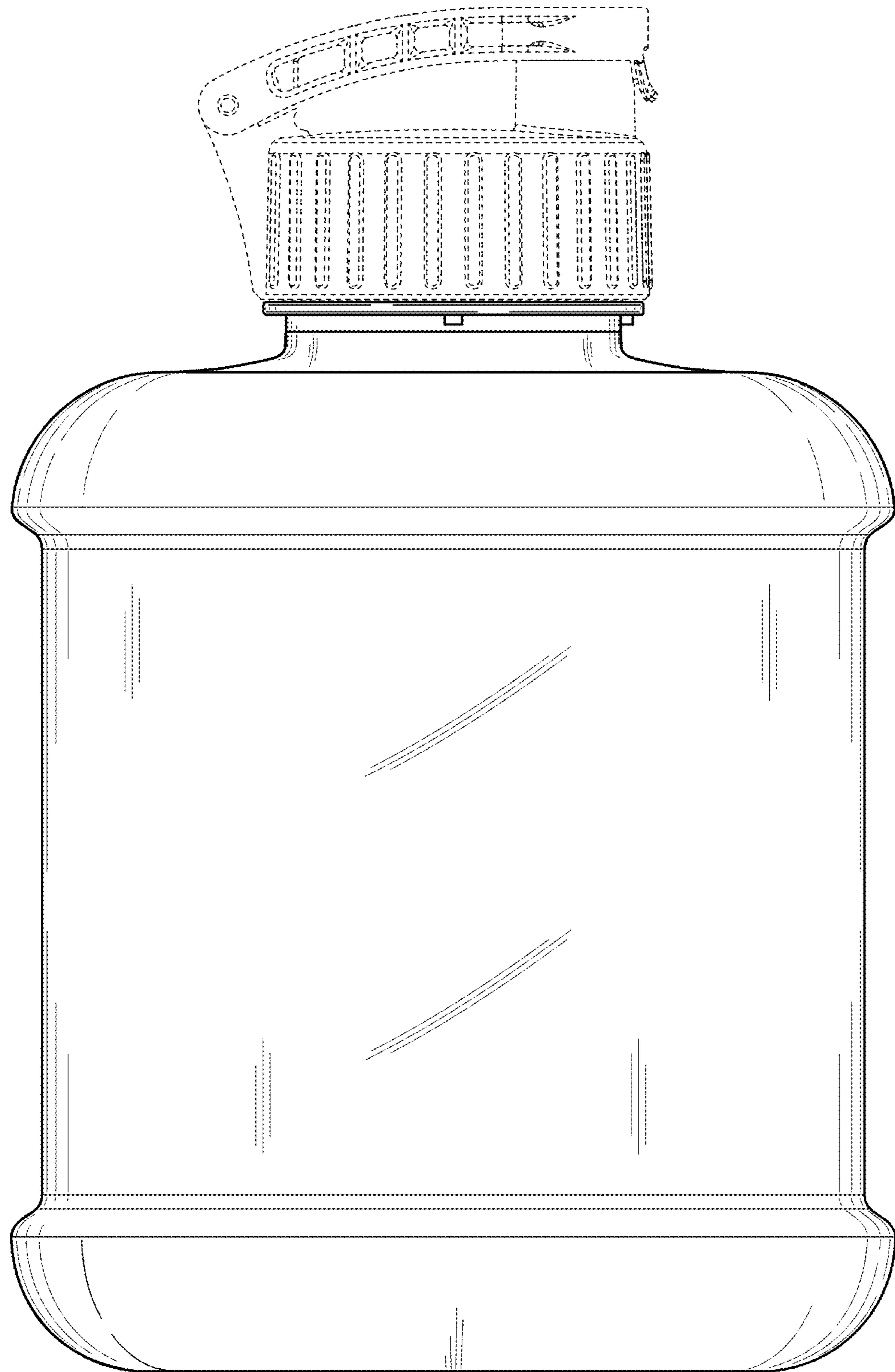


FIG. 6

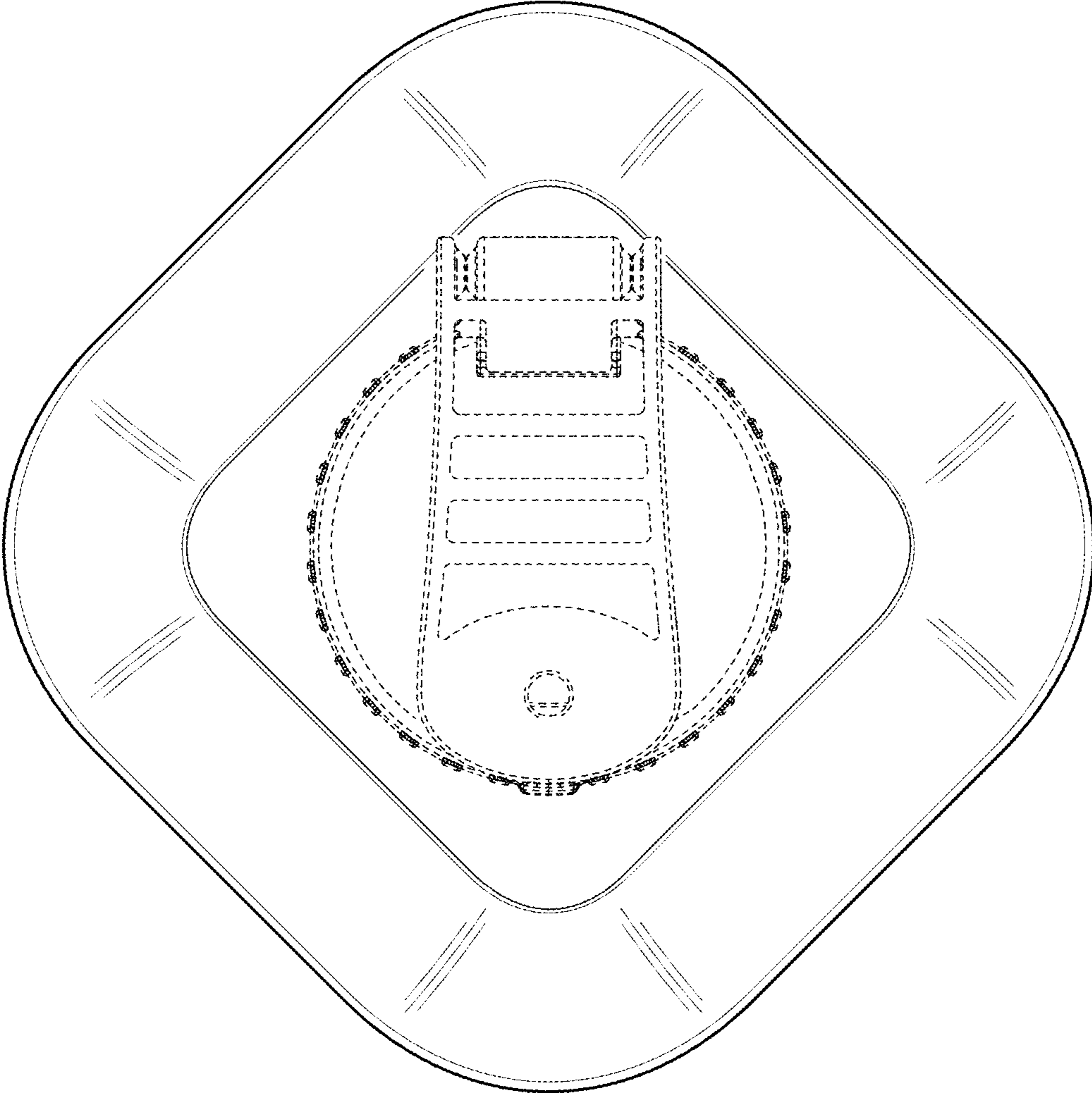


FIG. 7

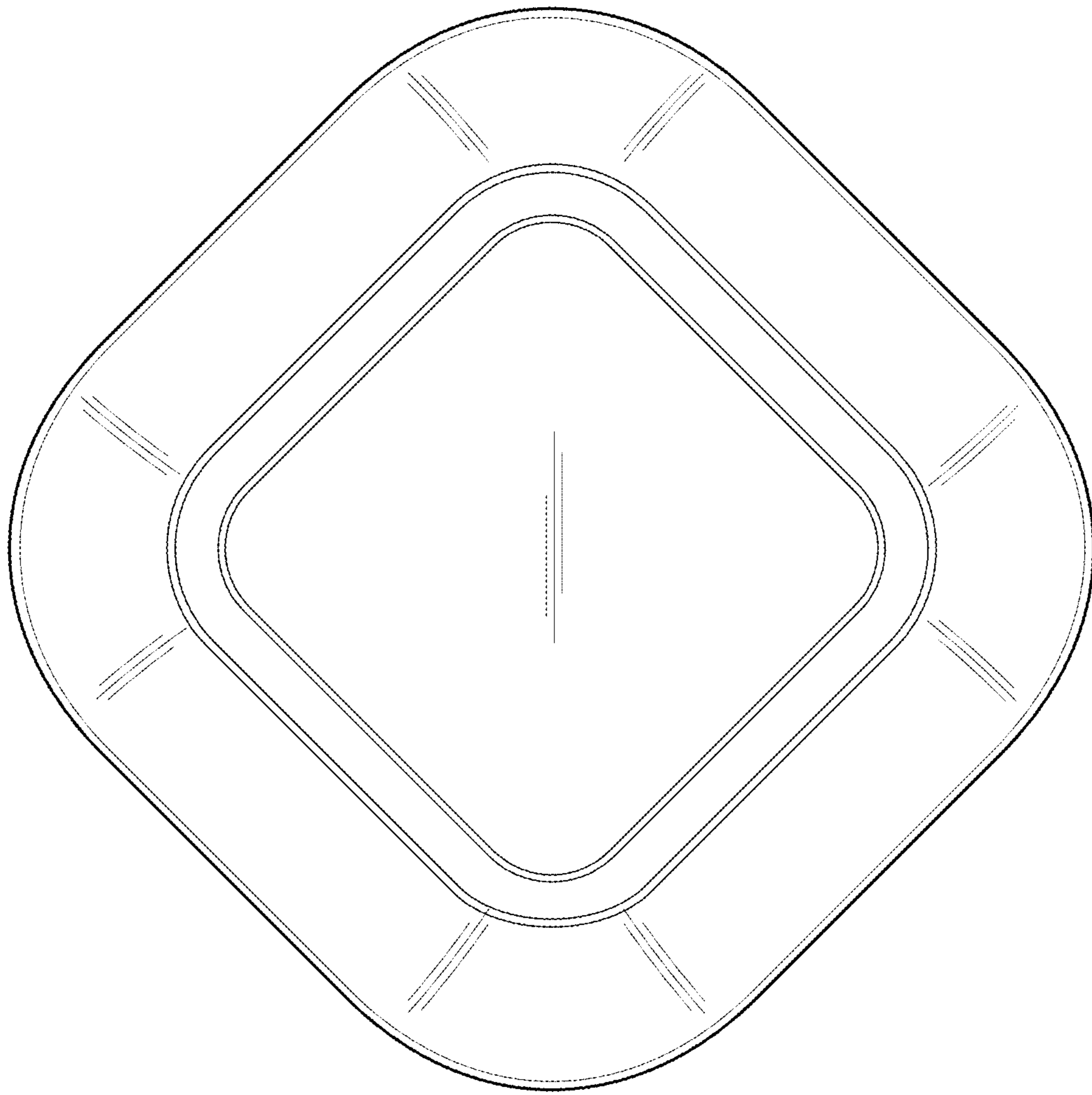


FIG. 8

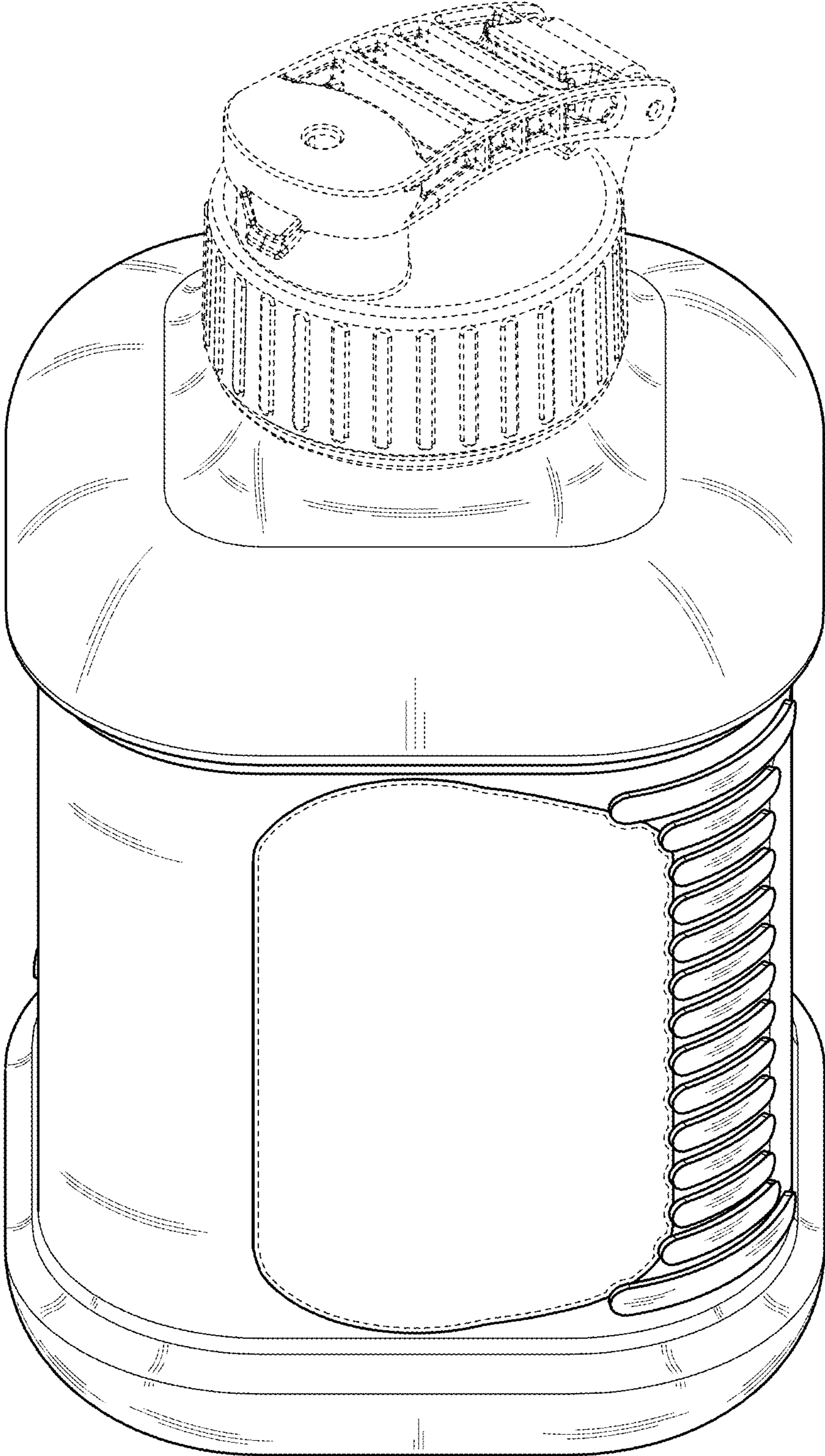


FIG. 9