



US00D805348S

(12) **United States Design Patent** (10) **Patent No.:** **US D805,348 S**
Benoit et al. (45) **Date of Patent:** **** Dec. 19, 2017**

(54) **FOOD PROCESSING ATTACHMENT**

(71) Applicant: **Whirlpool Corporation**, Benton Harbor, MI (US)

(72) Inventors: **Kaitlyn M. Benoit**, St. Joseph, MI (US); **John W. McConnell**, St. Joseph, MI (US)

(73) Assignee: **Whirlpool Corporation**, Benton Harbor, MI (US)

(**) Term: **15 Years**

(21) Appl. No.: **29/601,555**

(22) Filed: **Apr. 24, 2017**

Related U.S. Application Data

(62) Division of application No. 29/534,120, filed on Jul. 27, 2015, now Pat. No. Des. 790,917.

(51) **LOC (10) Cl.** **07-02**

(52) **U.S. Cl.**
USPC **D7/412**; D7/372; D7/384

(58) **Field of Classification Search**
USPC D7/372, 376-386, 412, 665-666, 669, D7/678-679, 693-694

CPC A01F 2015/07; A01F 2015/077; A01F 2015/0775; A21C 3/02; A21C 11/16; A23N 1/00; A23N 1/02; A47J 19/00; A47J 19/005; A47J 19/02; A47J 19/04; A47J 19/06; A47J 42/32; A47J 42/34; A47J 42/36; A47J 43/044; A47J 43/25; A47J 43/255; B01F 7/26; B01F 7/28; B01F 11/0082; B01F 13/04; B02C 13/00; B02C 13/02; B02C 13/10; B02C 18/06; B02C 18/20; B02C 18/26; B02C 18/30; B02C 18/302; B02C 18/304; B02C 18/305; B02C 25/00; B02C 2002/00; B02C 2013/00; B02C 2013/14; B02C 2013/145; B02C 2013/18; B02C

2013/1807; B02C 2013/1857; B02C 2013/1864; B30B 9/00; B30B 9/16; B30B 9/18; B30B 9/20; B30B 9/26; B30B 9/205; B30B 9/207

See application file for complete search history.

(56) **References Cited**

U.S. PATENT DOCUMENTS

2,699,737	A *	1/1955	Stichelber	A21C 3/02
				425/335
D192,704	S *	5/1962	Giunta	D7/383
RE30,222	E *	2/1980	Ruiz	A21C 11/16
				425/190
D467,767	S *	12/2002	Ancona	D7/376
7,581,940	B2 *	9/2009	Hosogane	A21C 3/028
				425/324.1
D790,917	S *	7/2017	Benoit	D7/376

* cited by examiner

Primary Examiner — Ricky Pham

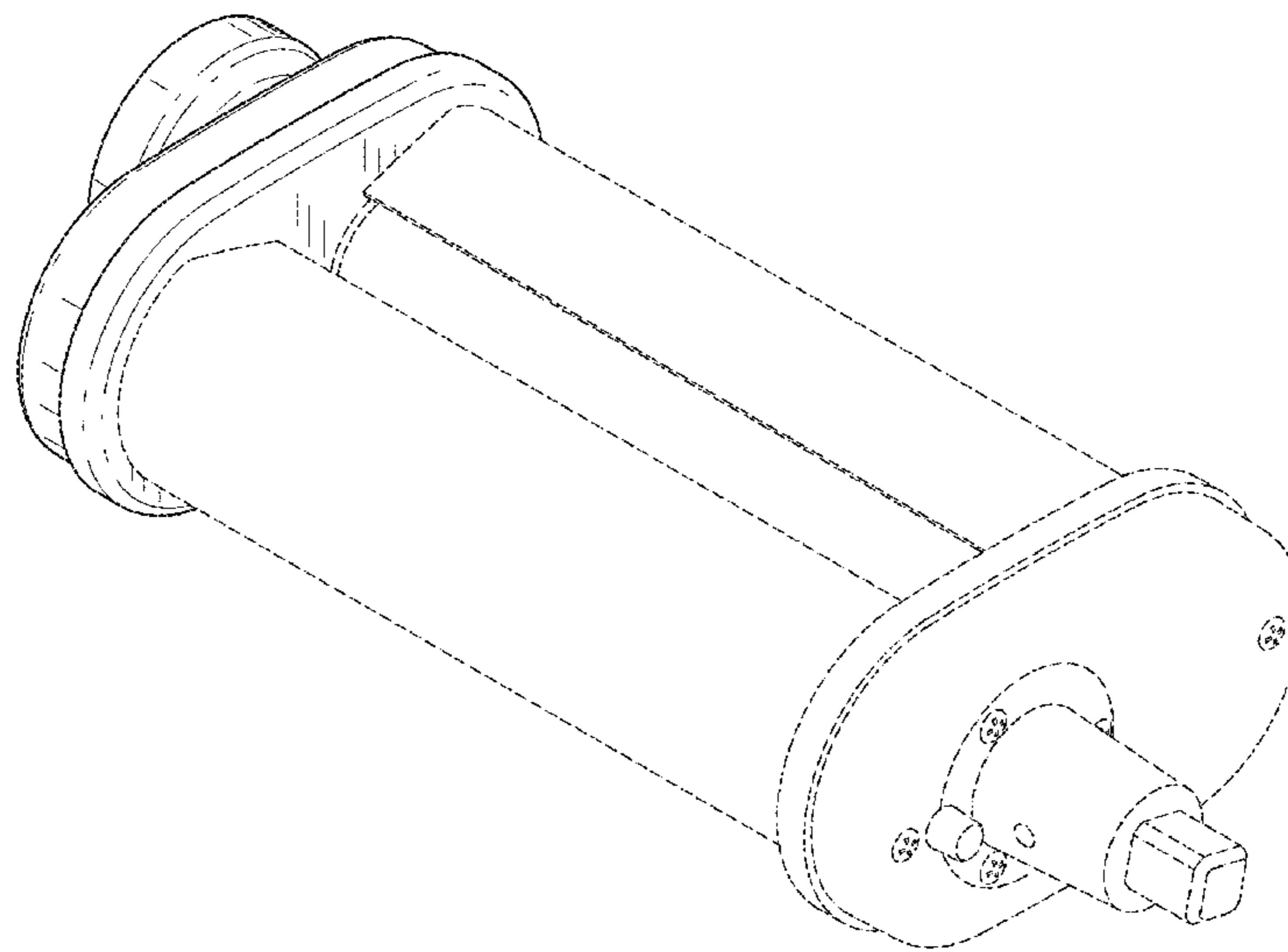
(57) **CLAIM**

The ornamental design for a food processing attachment, as shown and described.

DESCRIPTION

FIG. 1 is a top-front perspective view of a food processing attachment according to an embodiment of our design; FIG. 2 is a bottom-back perspective view thereof; FIG. 3 is a back view thereof; FIG. 4 is a front view thereof; FIG. 5 is a right side view thereof; FIG. 6 is a left side view thereof; FIG. 7 is a top view thereof; and, FIG. 8 is a bottom view thereof. Broken lines are used to show features that are environmental only and form no part of the claimed design.

1 Claim, 6 Drawing Sheets



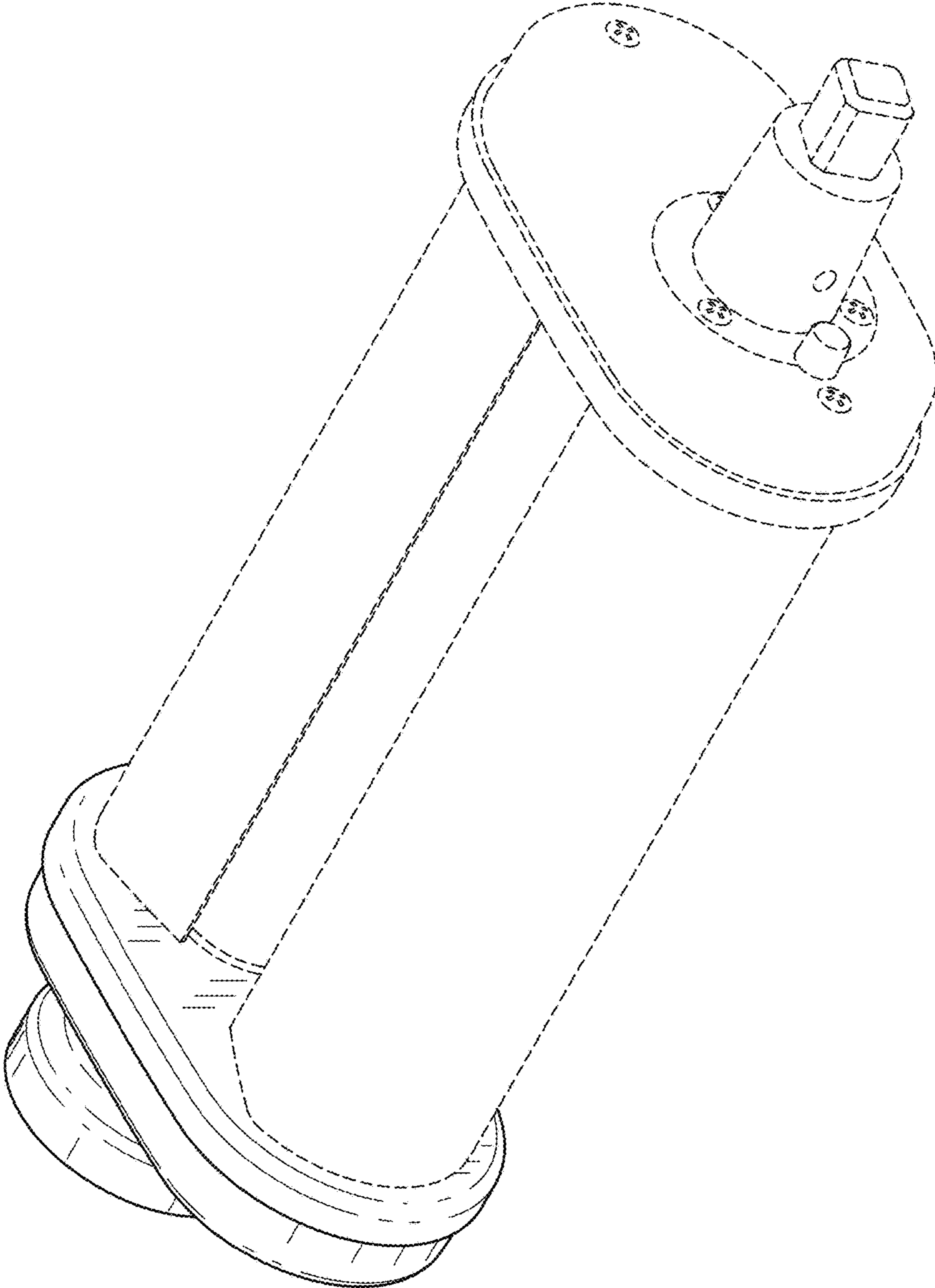


FIG. 1

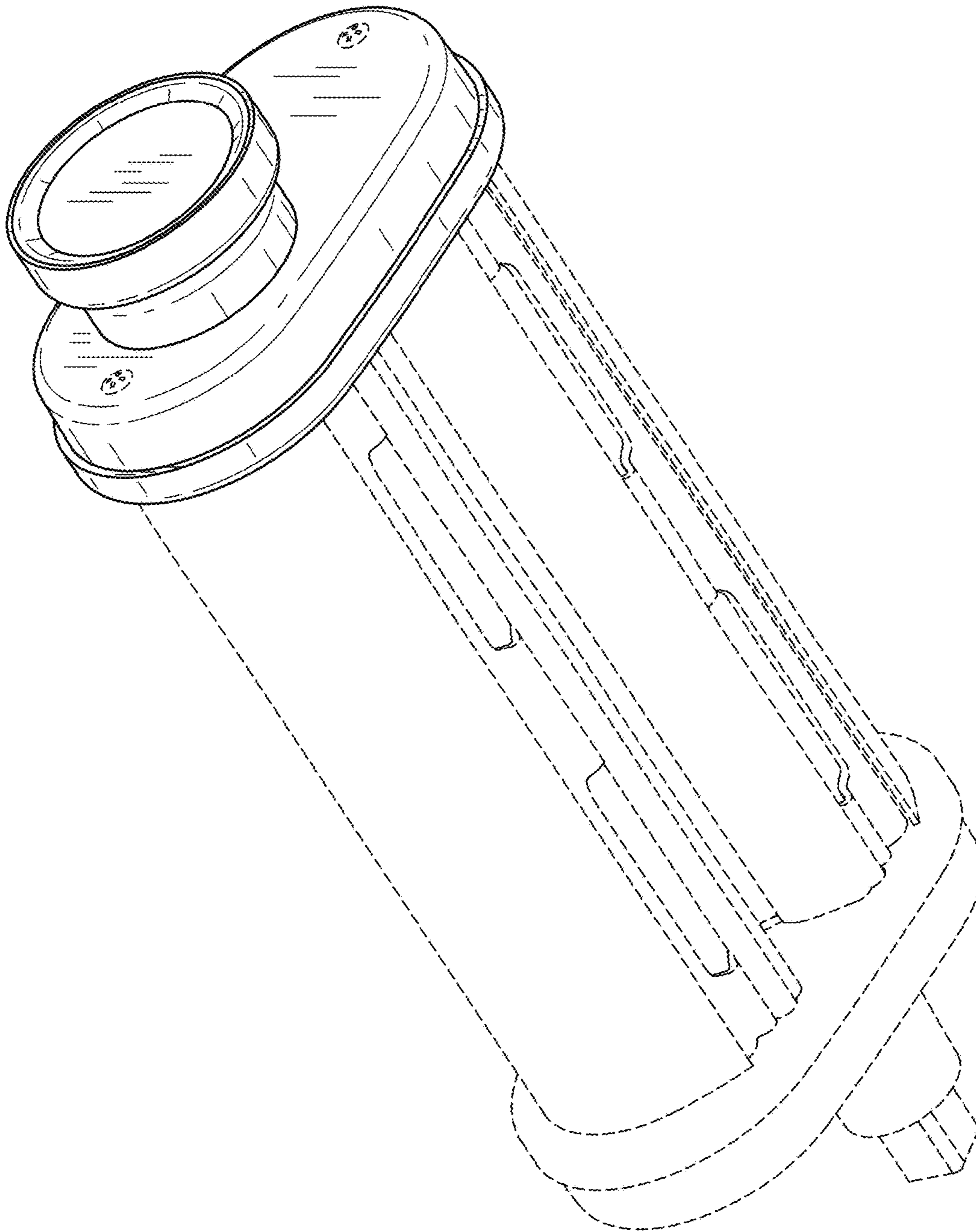


FIG. 2

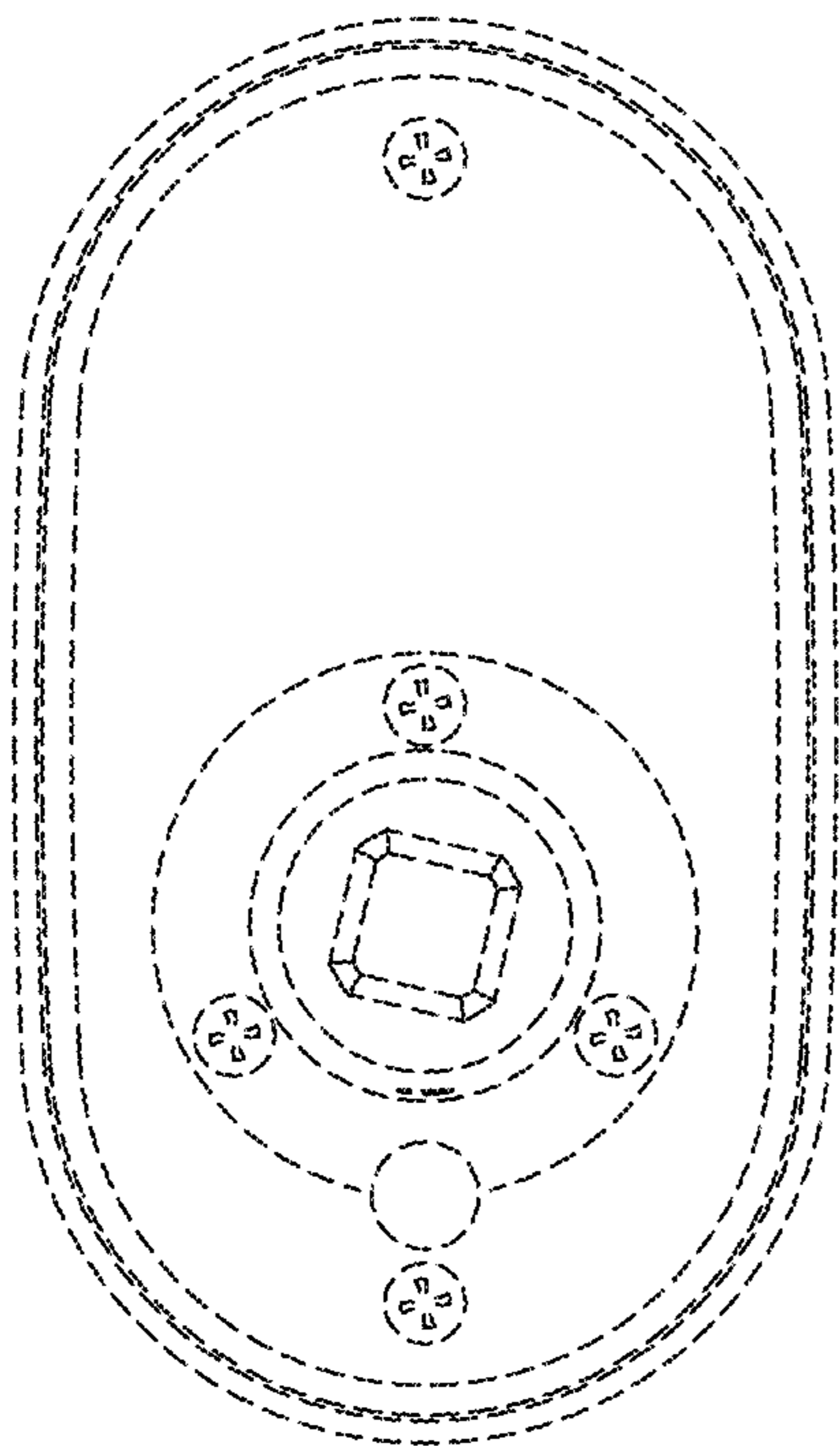


FIG. 3

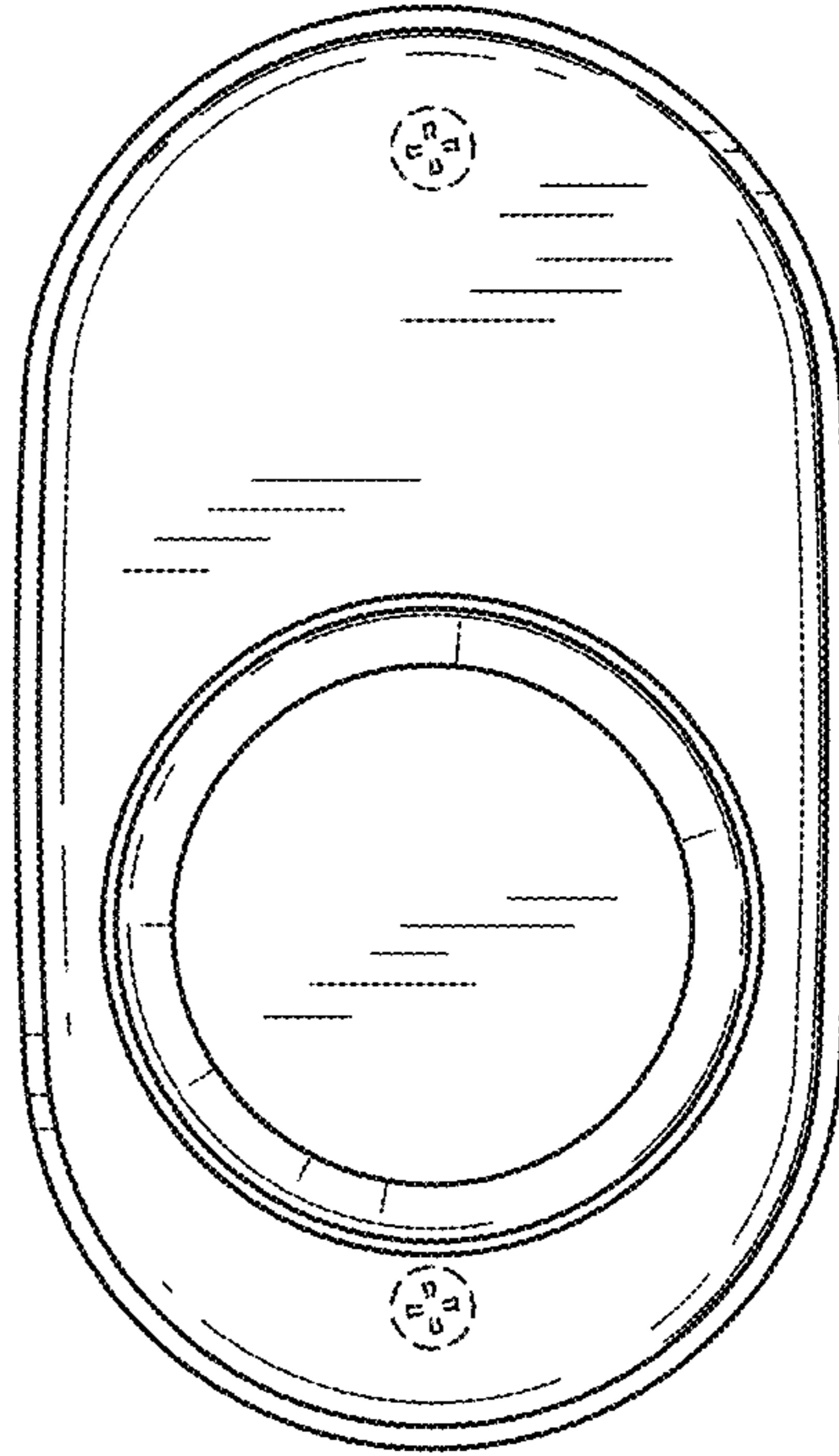


FIG. 4

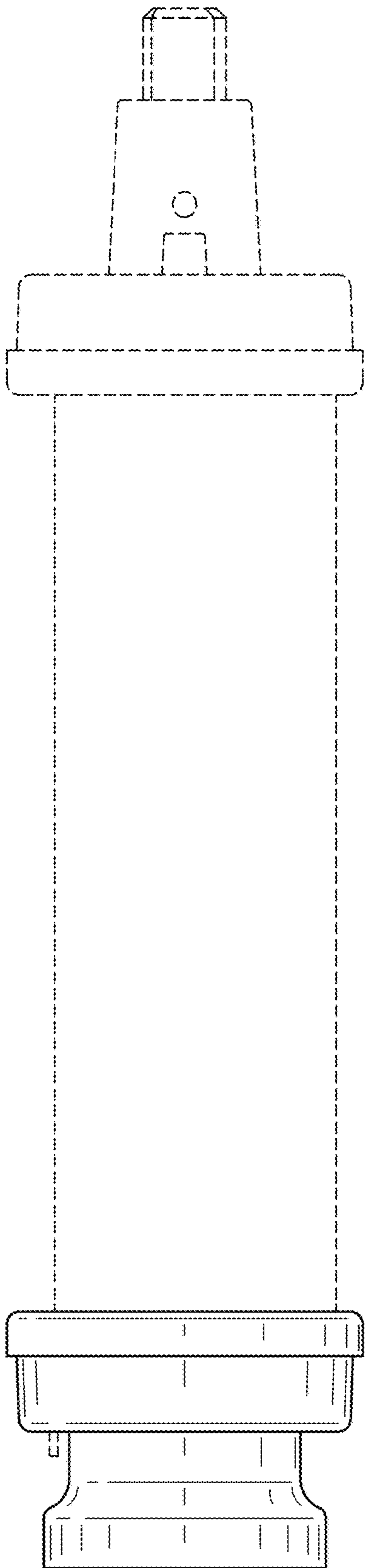


FIG. 5

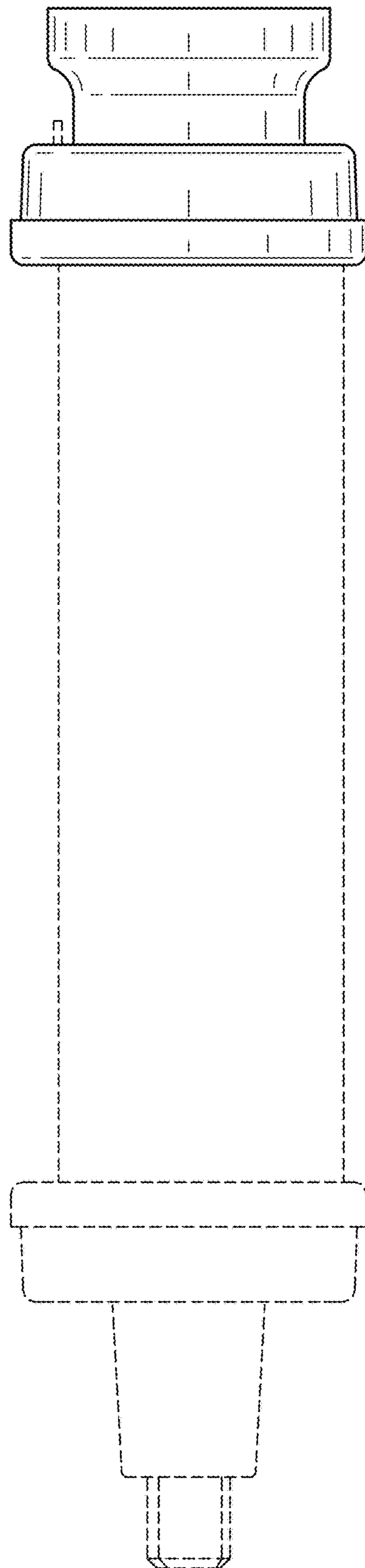


FIG. 6

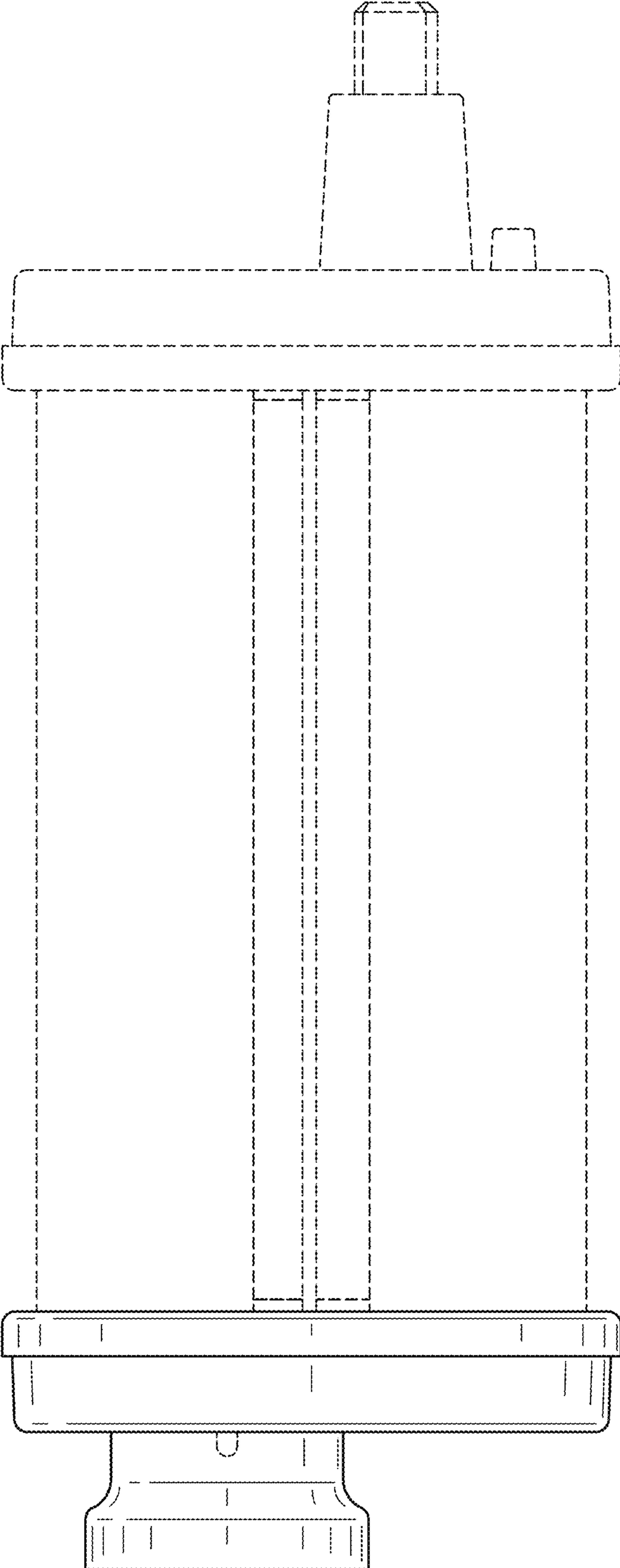


FIG. 7

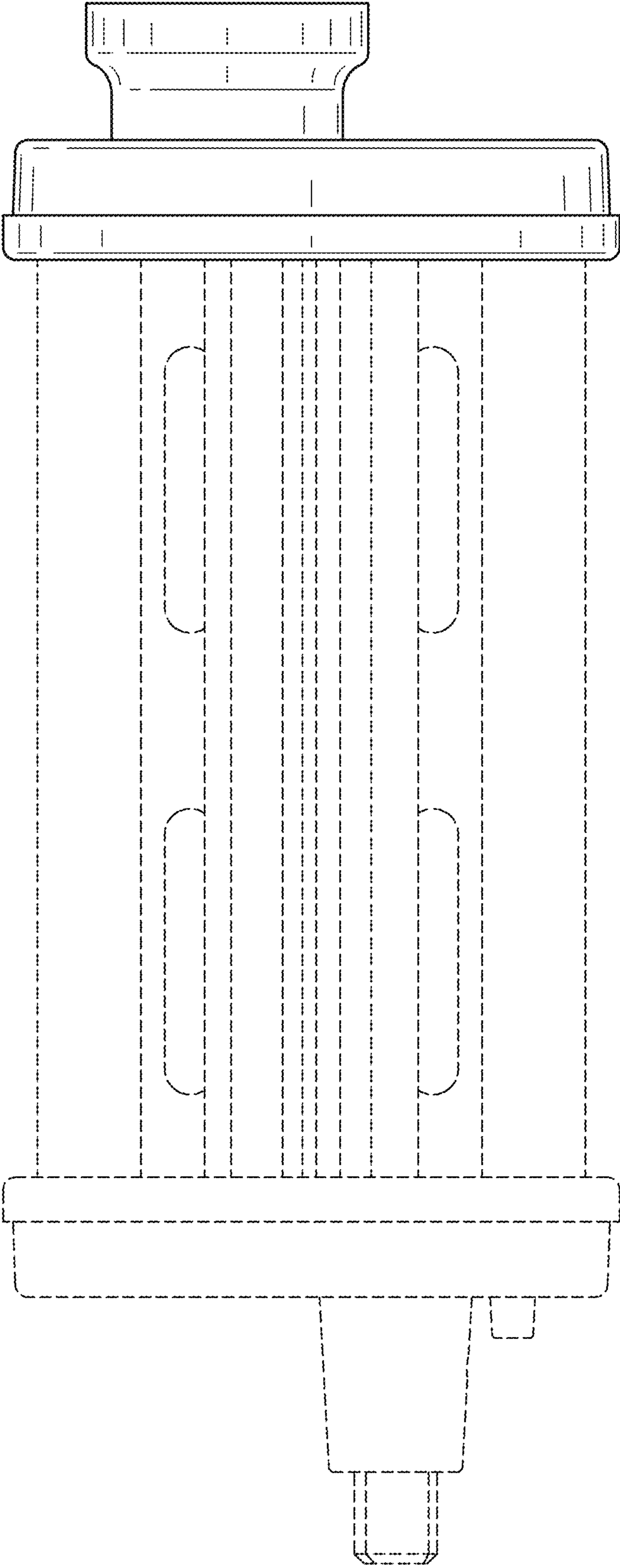


FIG. 8