



US00D805347S

(12) **United States Design Patent**  
**Hundley et al.**

(10) **Patent No.:** **US D805,347 S**

(45) **Date of Patent:** **\*\* Dec. 19, 2017**

(54) **SERVING UTENSIL**

(71) Applicant: **The Vollrath Company, L.L.C.**,  
Sheboygan, WI (US)

(72) Inventors: **Jill E. Hundley**, Sheboygan, WI (US);  
**Tyler J. Erickson**, Plymouth, WI (US);  
**Mark V. LeGreve**, Two Rivers, WI  
(US); **Rebecca J. Schreiber-Pethan**,  
Sheboygan, WI (US)

(73) Assignee: **The Vollrath Company, L.L.C.**,  
Sheboygan, WI (US)

(\*\*) Term: **15 Years**

(21) Appl. No.: **29/556,465**

(22) Filed: **Mar. 1, 2016**

(51) **LOC (10) Cl.** ..... **07-06**

(52) **U.S. Cl.**  
USPC ..... **D7/395; D7/401.2**

(58) **Field of Classification Search**  
USPC ..... D7/682, 683, 688, 689, 690, 691,  
D7/393-395, 401.2; D8/107, 300, 307;  
D4/138, 129; 16/421, 430, 431, 110.1,  
16/407; 220/573.1-573.5, 752, 753, 755,  
220/756, 759, 767, 771, 912  
CPC ..... A47J 45/06; A47J 45/061; A47J 45/62;  
A47J 45/08; A47J 45/085; A47J 45/071;  
A47J 45/072; B65D 25/2802; B65D  
25/2882; B65D 25/2885; B65D 25/2888;  
B65D 25/2894; Y10S 220/912  
See application file for complete search history.

(56) **References Cited**

**U.S. PATENT DOCUMENTS**

338,449 A \* 3/1886 Teller ..... A47J 43/283  
294/7  
D260,655 S \* 9/1981 Guay ..... 84/402  
D273,755 S \* 5/1984 Thurlow ..... D7/359

D297,604 S \* 9/1988 Hagberg ..... D7/359  
D311,120 S \* 10/1990 Cautereels ..... D7/688  
D346,091 S \* 4/1994 Doxey ..... D7/401.2  
D393,776 S \* 4/1998 Kessler ..... D7/401.2  
D394,186 S \* 5/1998 Dodane ..... D7/395  
D474,079 S 5/2003 Hanners et al.  
D536,222 S 2/2007 Heiberg et al.  
7,490,732 B2 \* 2/2009 Wasserman ..... A47J 45/061  
16/425  
D588,365 S \* 3/2009 Conway ..... D4/138  
D675,863 S \* 2/2013 Zucchi ..... D7/354  
D686,467 S 7/2013 Barnett et al.  
D700,811 S 3/2014 Lin  
D704,996 S \* 5/2014 Wright ..... D7/395

(Continued)

*Primary Examiner* — Cynthia M. Chin

(74) *Attorney, Agent, or Firm* — Foley & Lardner LLP

(57) **CLAIM**

We claim the ornamental design for a serving utensil, as shown and described.

**DESCRIPTION**

FIG. 1 is a top, front, left perspective view of the claimed design;

FIG. 2 is a front view thereof;

FIG. 3 is a rear view thereof;

FIG. 4 is a left side view thereof;

FIG. 5 is a right side view thereof;

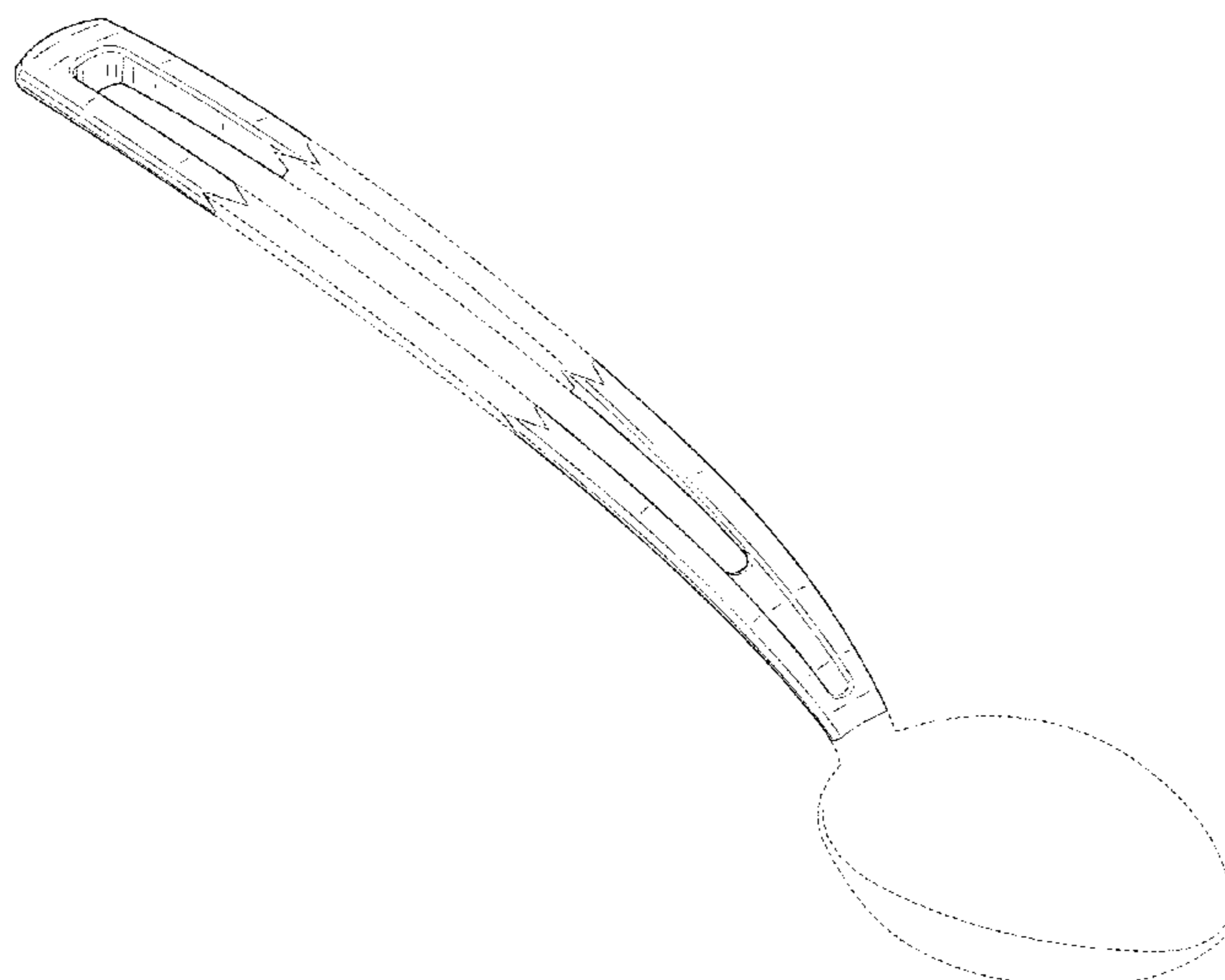
FIG. 6 is a top view thereof; and,

FIG. 7 is bottom view thereof.

The broken lines formed by equal length are for the purpose of illustrating portions of the serving utensil that form no part of the claim. Broken lines formed of unequal length dashes (i.e., dash-dot), including the jagged dash-dot lines, represent the bounds of the claim which form no part of the claimed design.

The handle is shown with a symbolic break in its length. The appearance of any portion of the article between the break lines forms no part of the claimed design.

**1 Claim, 5 Drawing Sheets**



(56)

**References Cited**

U.S. PATENT DOCUMENTS

D705,604 S	5/2014	Ng	
D717,111 S	11/2014	Wang et al.	
D717,112 S	11/2014	Wang et al.	
D719,789 S	12/2014	Truog et al.	
D730,701 S	6/2015	Ng	
D731,852 S *	6/2015	Pallotto .....	D7/395
D735,529 S	8/2015	Bell	

\* cited by examiner

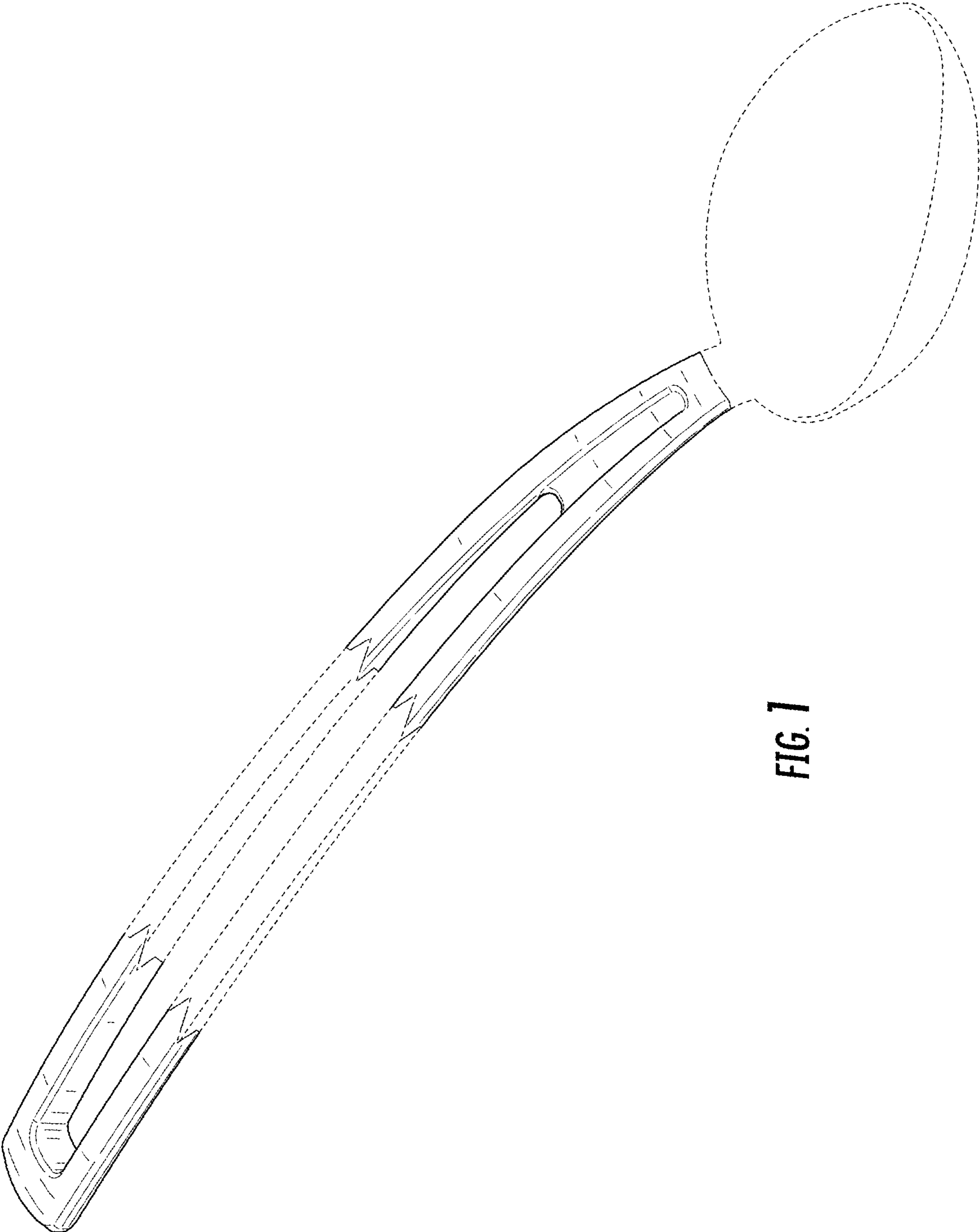
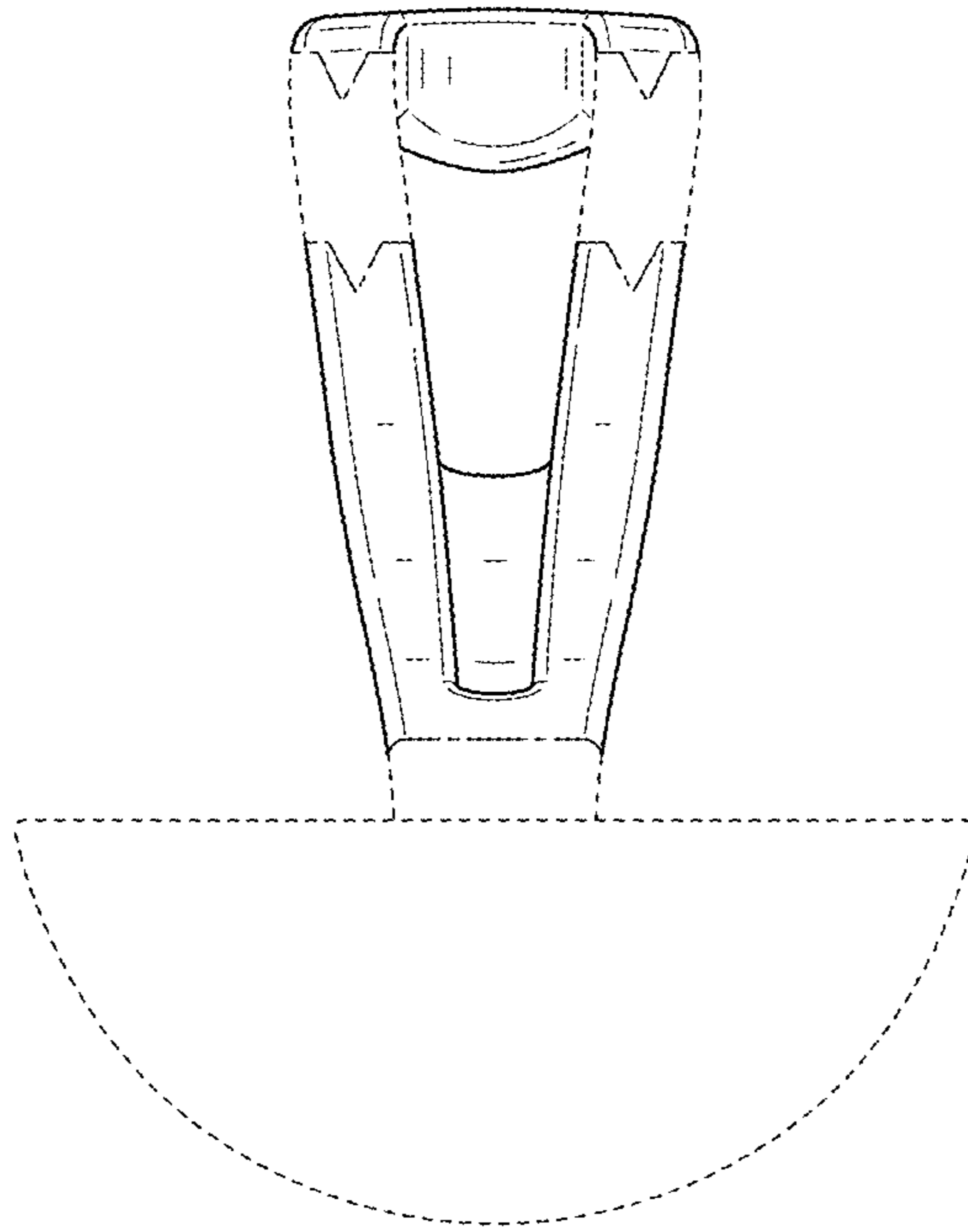
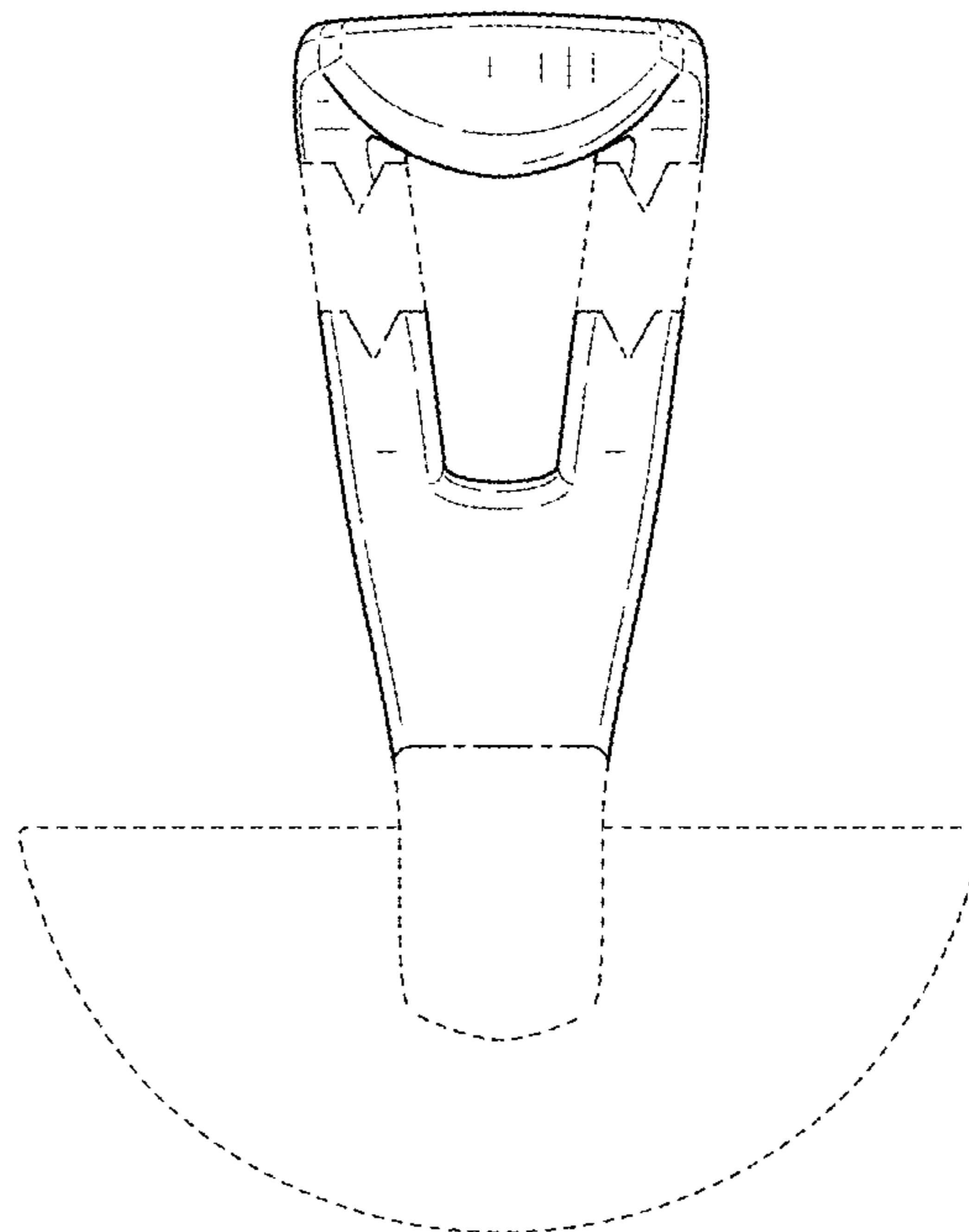


FIG. 1



**FIG. 2**



**FIG. 3**

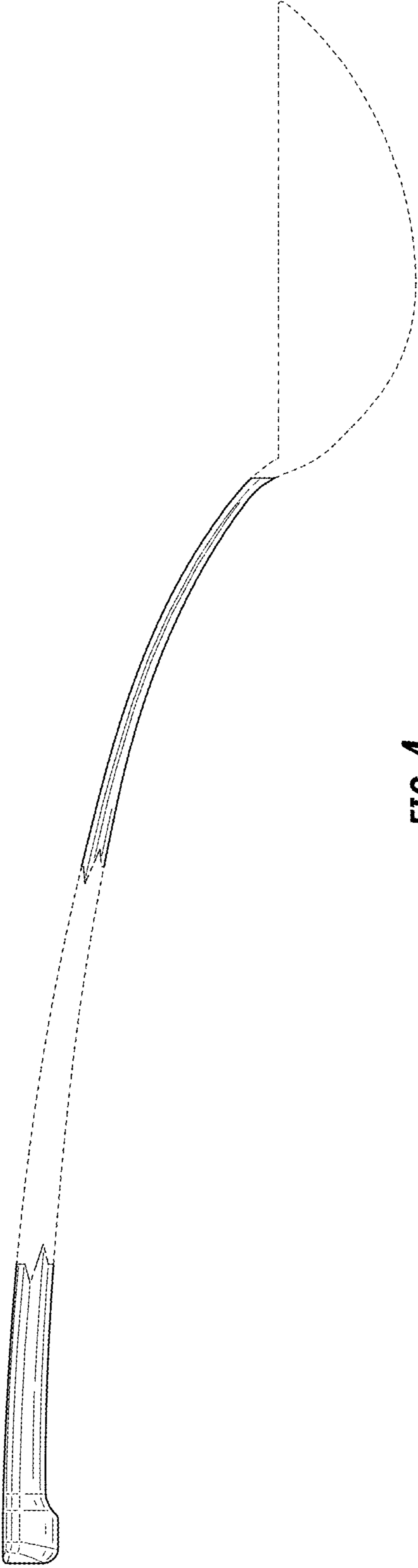


FIG. 4

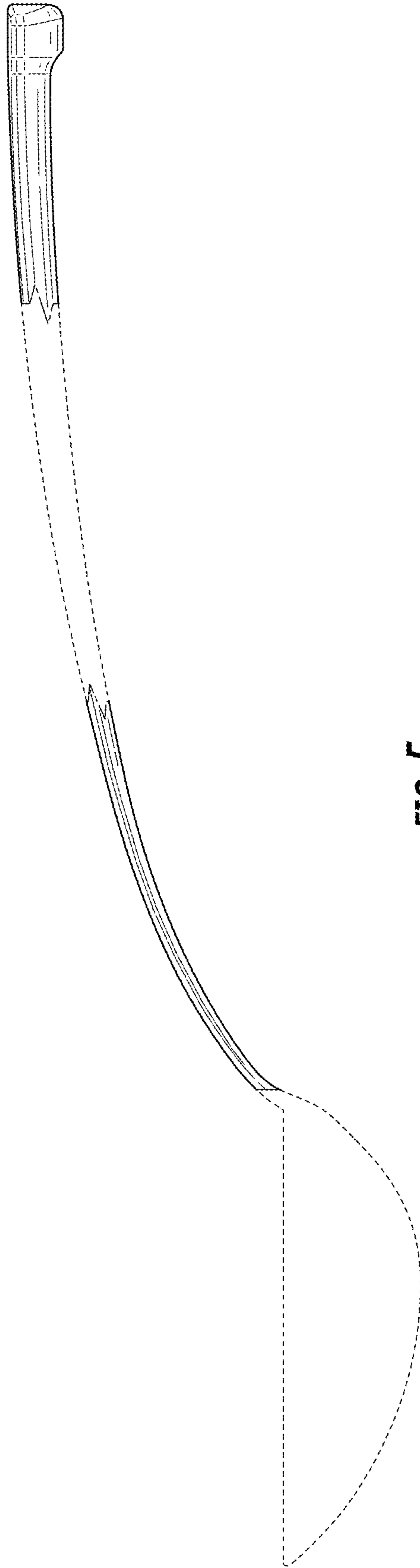
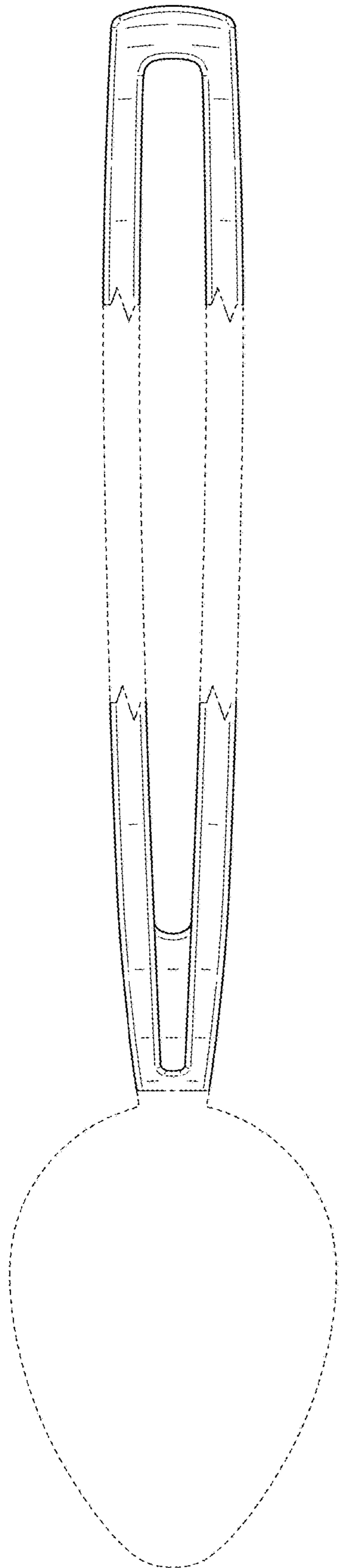
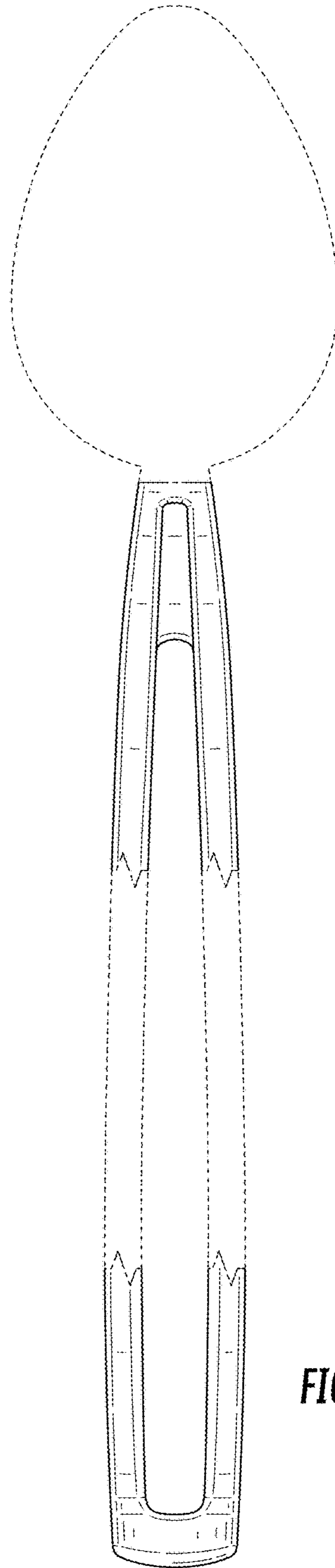


FIG. 5



**FIG. 6**



**FIG. 7**