



US00D805345S

(12) **United States Design Patent** (10) **Patent No.:** **US D805,345 S**
Ho et al. (45) **Date of Patent:** **** Dec. 19, 2017**

(54) **HAND BLENDER**

(56) **References Cited**

(71) Applicants: **Hiu Wai Ho**, Kowloon (HK); **Wing Kit Lui**, Kowloon (HK)

U.S. PATENT DOCUMENTS

(72) Inventors: **Hiu Wai Ho**, Kowloon (HK); **Wing Kit Lui**, Kowloon (HK)

D485,729 S *	1/2004	Patton	D7/376
D506,102 S *	6/2005	Ikegaki	D7/376
D534,032 S *	12/2006	Lloyd	D7/380
D649,394 S *	11/2011	Grabes	D7/376
D681,391 S *	5/2013	Agren	D7/376
D691,412 S *	10/2013	Ragot	D7/376
D724,373 S *	3/2015	Jl	D7/376
D724,374 S *	3/2015	Sanguinetti	D7/376
D726,496 S *	4/2015	Vu	D7/376
D756,166 S *	5/2016	Lee	D7/376
D783,339 S *	4/2017	Mullen	D7/376
2005/0078549 A1 *	4/2005	Hamelin	A47J 43/0711 366/129

(73) Assignee: **Eric Baere Associates Limited**, Kowloon (HK)

(**) Term: **15 Years**

(21) Appl. No.: **29/580,666**

(22) Filed: **Oct. 12, 2016**

* cited by examiner

(51) **LOC (10) Cl.** **31-00**

Primary Examiner — Ricky Pham

(52) **U.S. Cl.**
USPC **D7/380**; D7/376; D7/379

(57) **CLAIM**

(58) **Field of Classification Search**
USPC D7/372, 376–386, 412–413, 602, 629,
D7/665–666, 669, 679, 693–694

The ornamental design for the a hand blender, as shown and described.

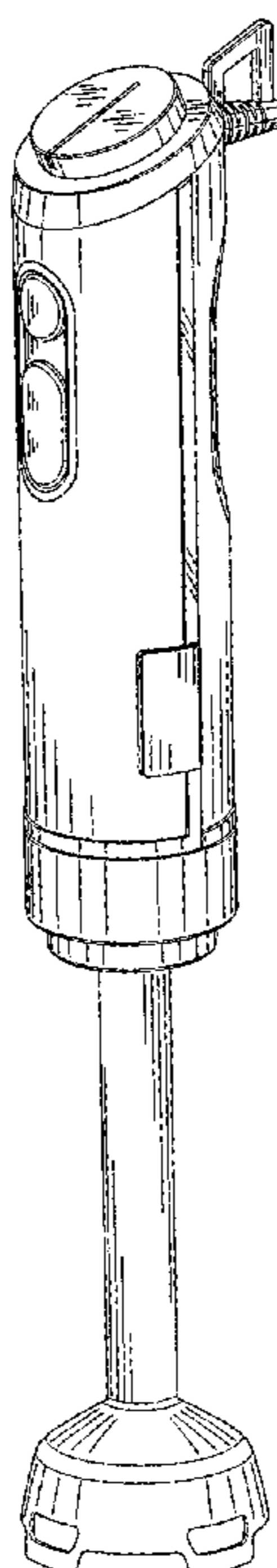
CPC A21C 1/02; A21C 1/04; A23N 1/00; A23N 1/02; A47J 43/04; A47J 43/25; A47J 43/27; A47J 43/042; A47J 43/044; A47J 43/046; A47J 43/075; A47J 43/0711; A47J 43/0722; A47J 43/0727; A47J 43/082; B01F 3/00; B01F 3/0807; B01F 3/0853; B01F 13/0059; B01F 13/0064; B02C 1/08; B02C 2/04; B02C 4/42; B02C 4/142; B02C 4/143; B02C 4/423; B02C 13/1835; B28C 5/10; B28C 5/12; B28C 5/14; B28C 5/16

DESCRIPTION

FIG. 1 is a front elevational view of the hand blender showing our new design;
FIG. 2 is a rear elevational view thereof;
FIG. 3 is a left side view thereof;
FIG. 4 is a right side view thereof;
FIG. 5 is a top plan view thereof;
FIG. 6 is a bottom plan view thereof;
FIG. 7 is a perspective view thereof;
FIG. 8 is another perspective view thereof; and,
FIG. 9 is an exploded perspective view of the hand blender with the base portion detached.

See application file for complete search history.

1 Claim, 6 Drawing Sheets



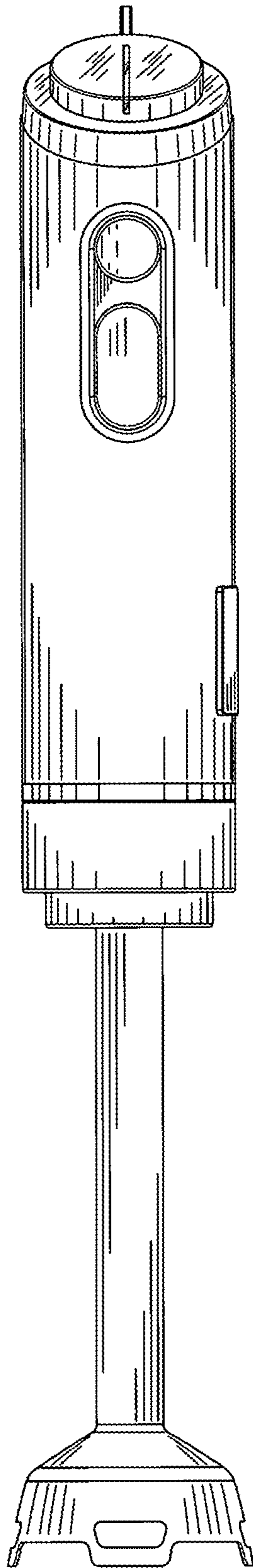


FIG. 1

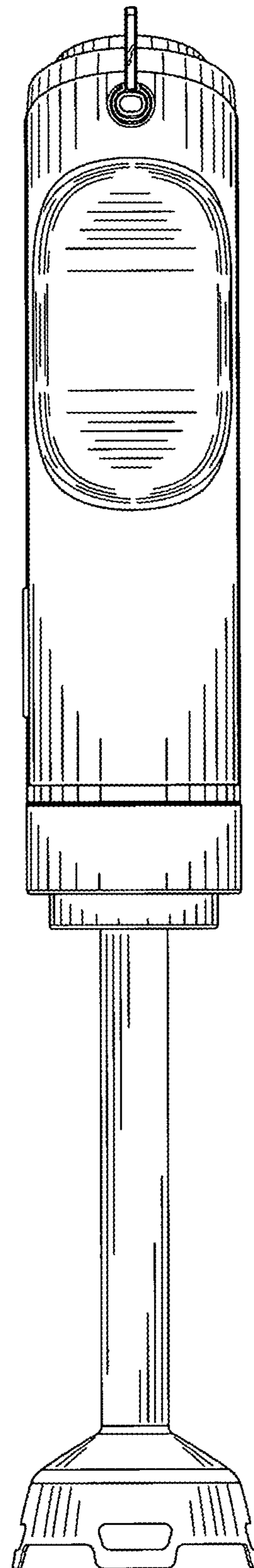


FIG. 2

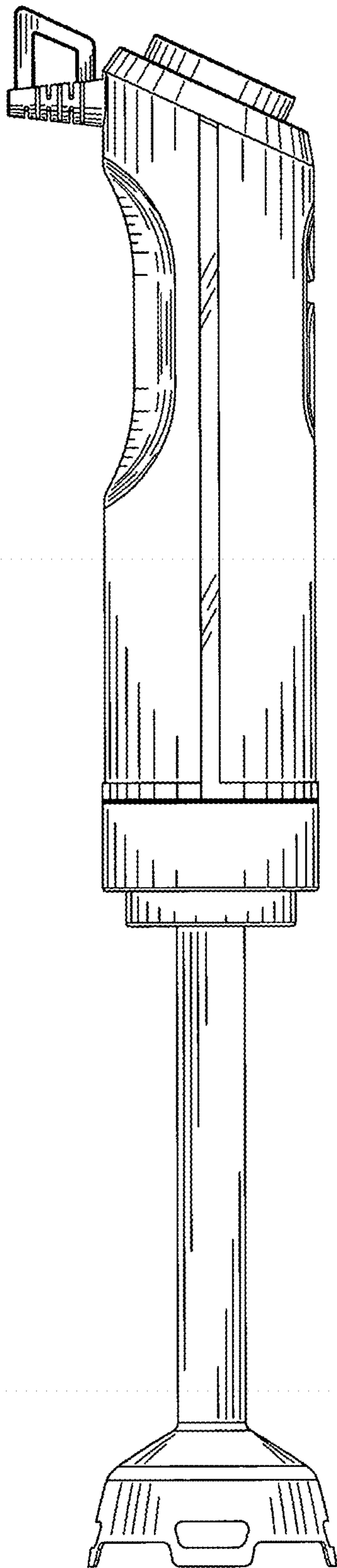


FIG. 3

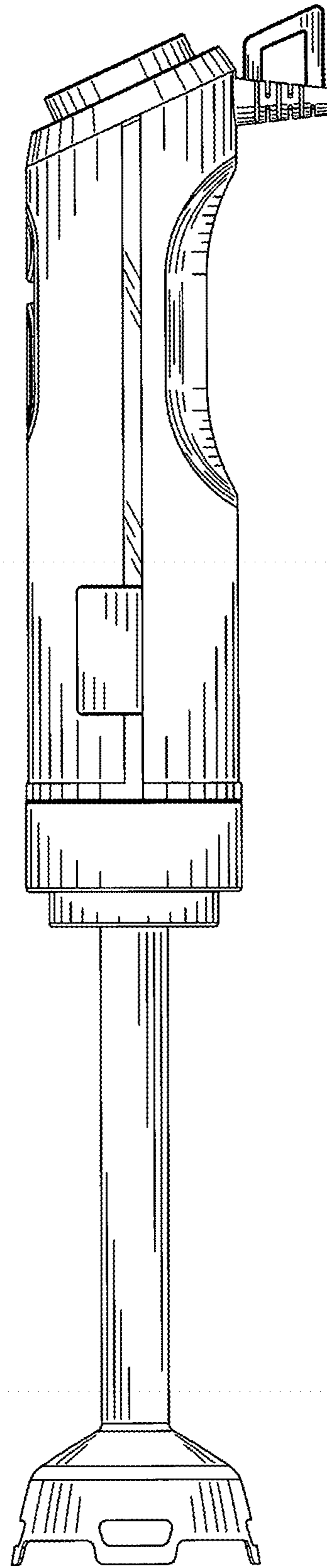


FIG. 4

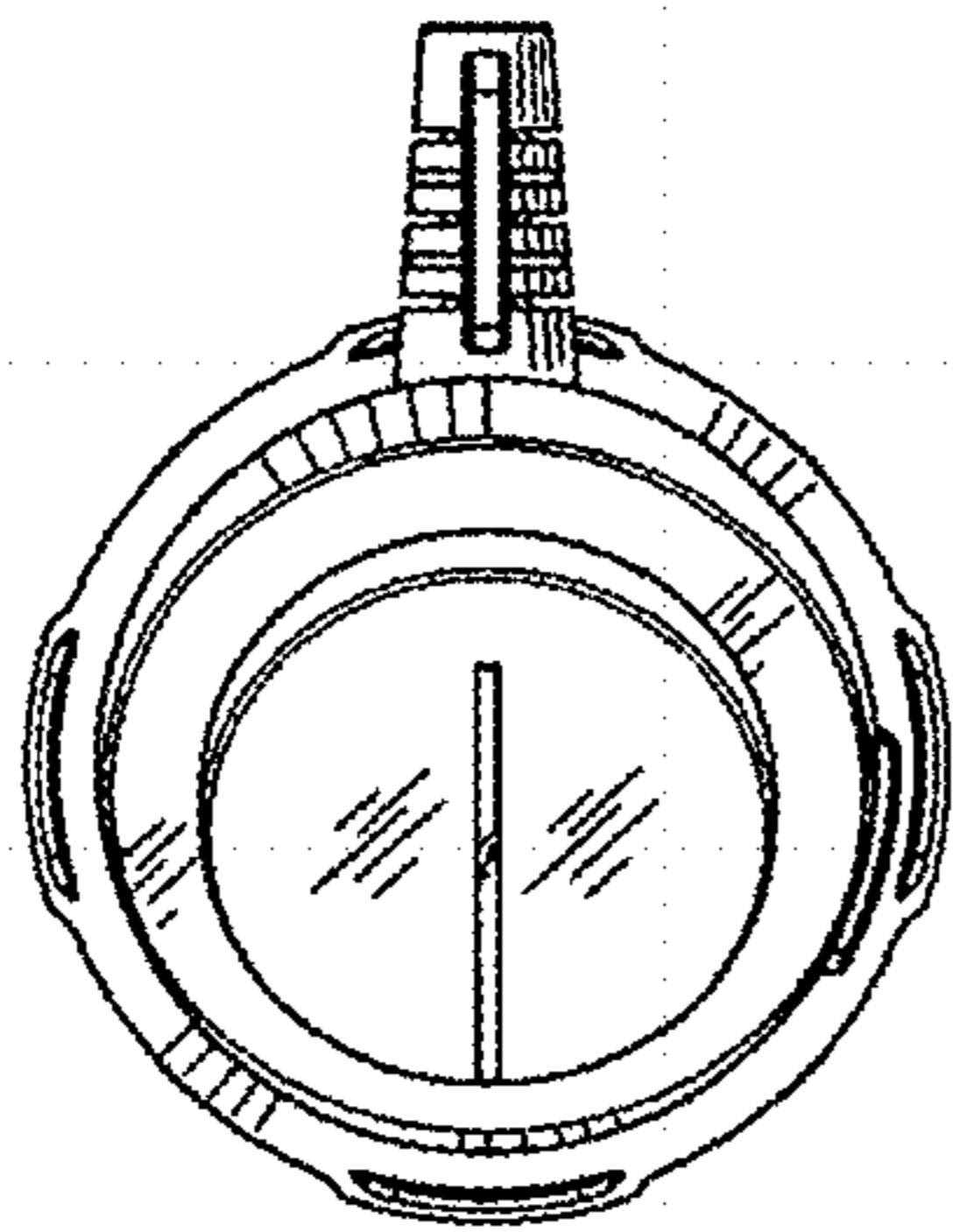


FIG. 5

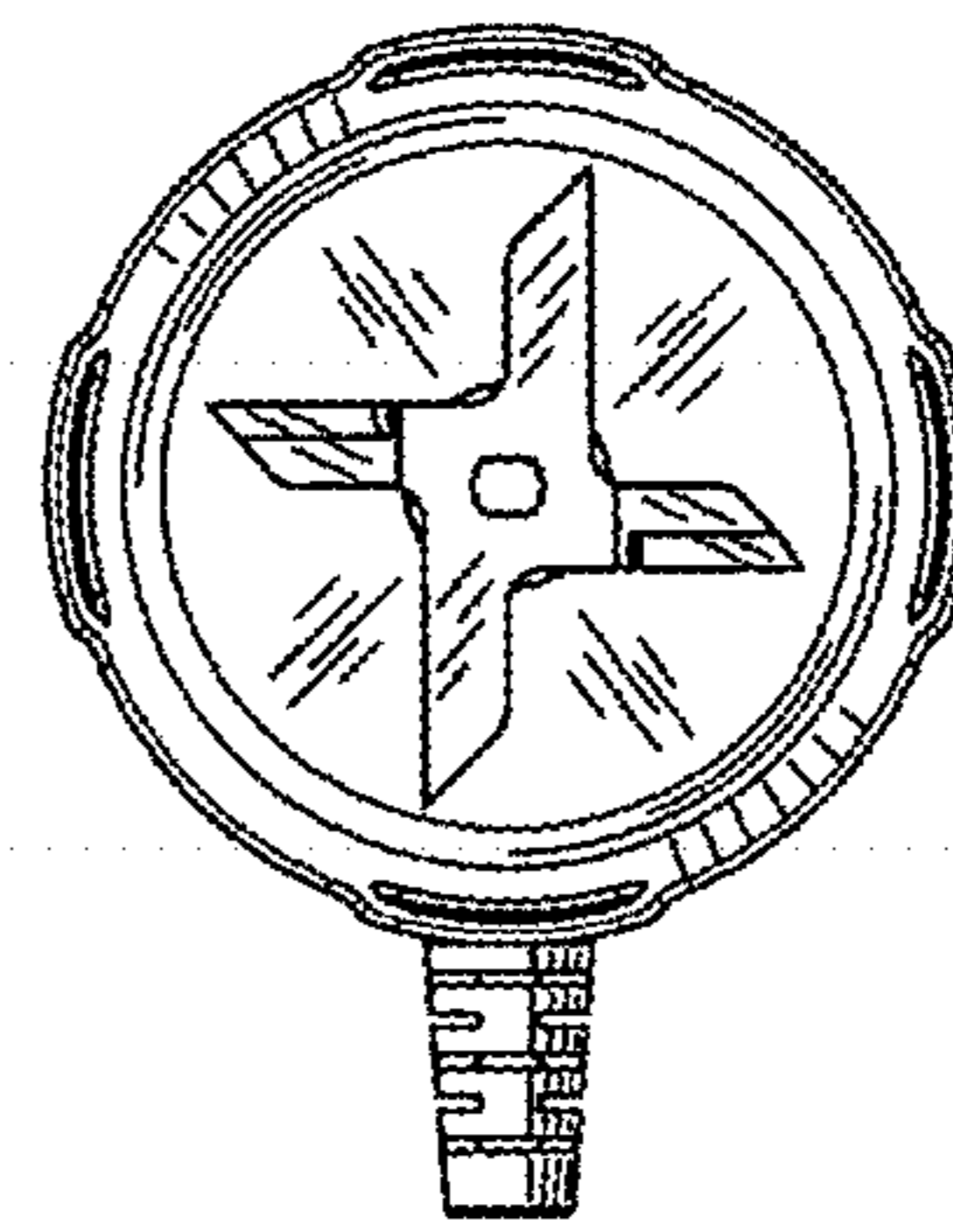


FIG. 6

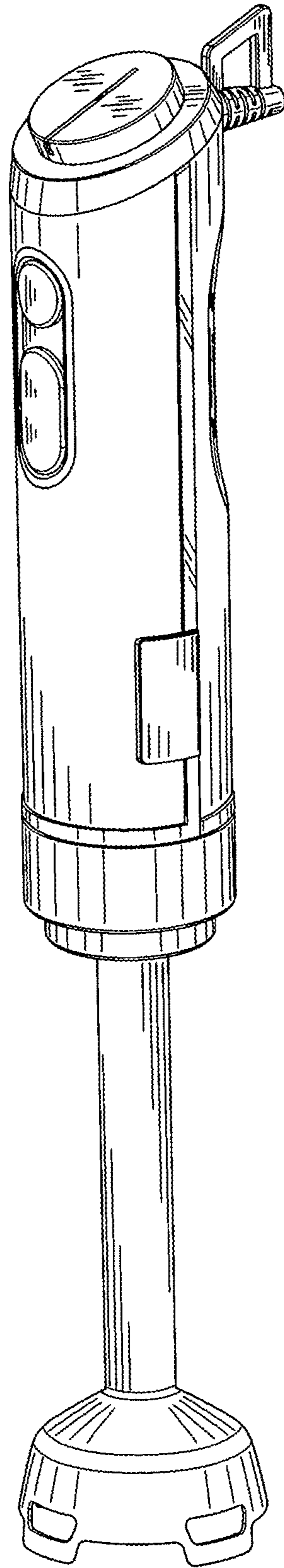


FIG. 7

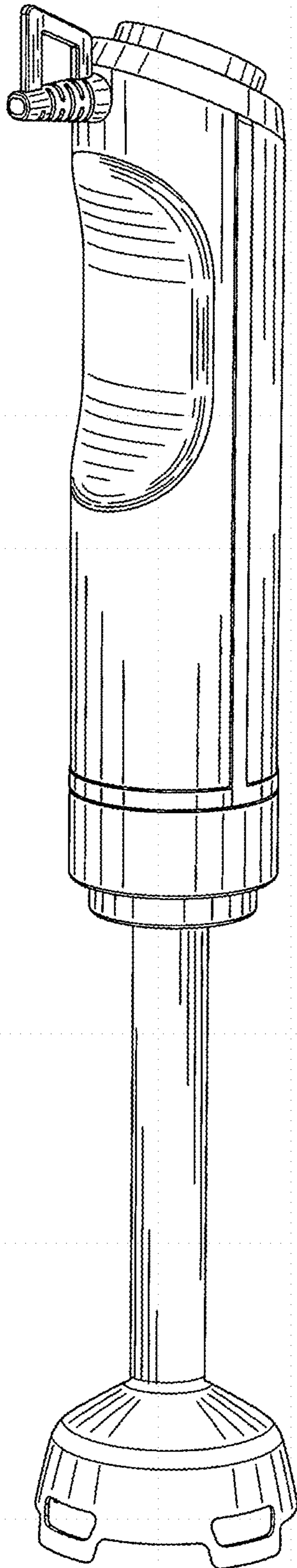


FIG. 8

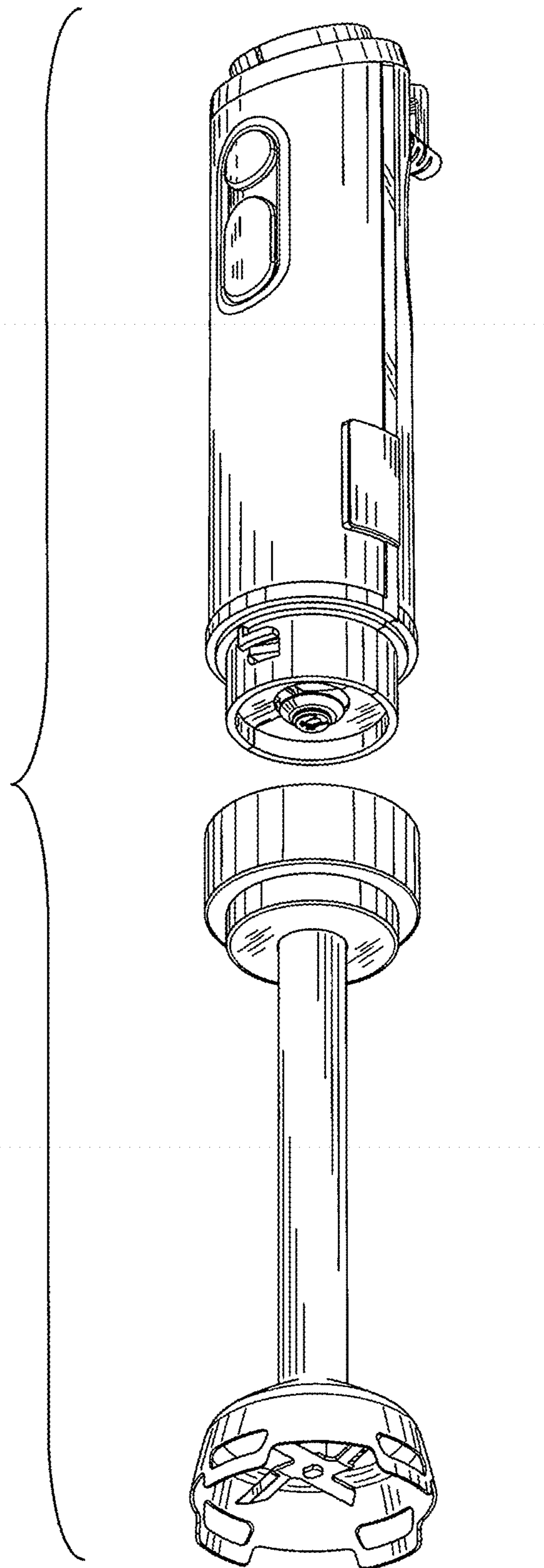


FIG. 9