



US00D805344S

(12) **United States Design Patent** (10) **Patent No.:** **US D805,344 S**
Yuan (45) **Date of Patent:** **** Dec. 19, 2017**

(54) **BLENDER**

2/423; B02C 13/1835; B28C 5/10; B28C 5/12; B28C 5/14; B28C 5/16

(71) Applicant: **KONINKLIJKE PHILIPS N.V.**,
Eindhoven (NL)

See application file for complete search history.

(72) Inventor: **Chun Pong Yuan**, Hong Kong (CN)

(56) **References Cited**

(73) Assignee: **KONINKLIJKE PHILIPS N.V.**,
Eindhoven (NL)

U.S. PATENT DOCUMENTS

(**) Term: **15 Years**

D181,541 S *	11/1957	Madl et al.	D7/378
D394,986 S *	6/1998	Lallemand	D7/378
D412,809 S *	8/1999	Toro	D7/378
D439,797 S *	4/2001	Planca	D7/378
D453,443 S *	2/2002	Hoare	D7/378
D465,127 S *	11/2002	Lee	D7/378
D528,855 S *	9/2006	Picozza	D7/378
D553,426 S *	10/2007	Lin	D7/378
D556,505 S *	12/2007	Wu	D7/378
D669,304 S *	10/2012	Bock	D7/376
D746,629 S *	1/2016	Ji	D7/376
D759,424 S *	6/2016	Ou	D7/376
D783,341 S *	4/2017	Palermo	D7/376

(21) Appl. No.: **35/500,864**

(22) Filed: **Oct. 27, 2015**

(80) **Hague Agreement Data**

Int. Filing Date: **Oct. 27, 2015**
Int. Reg. No.: **DM/088058**
Int. Reg. Date: **Oct. 27, 2015**
Int. Reg. Pub. Date: **Apr. 29, 2016**

* cited by examiner

Primary Examiner — Barbara Fox

Assistant Examiner — Holly E Thurman

(30) **Foreign Application Priority Data**

Aug. 18, 2015 (EM) 002756288-0001

(51) **LOC (10) Cl.** **31-00**

(52) **U.S. Cl.**
USPC **D7/378**

(58) **Field of Classification Search**

USPC D7/300.1, 326, 372, 376–386, 412–413,
D7/602, 629, 665–666, 669, 679,
D7/693–694

CPC A21C 1/02; A21C 1/04; A23N 1/00; A23N
1/02; A47J 43/04; A47J 43/25; A47J
43/27; A47J 43/042; A47J 43/044; A47J
43/046; A47J 43/075; A47J 43/0722;
A47J 43/0727; B01F 3/00; B01F 3/0807;
B01F 3/0853; B01F 13/0059; B01F
13/0064; B02C 1/08; B02C 2/04; B02C
2/42; B02C 2/142; B02C 2/143; B02C

(57) **CLAIM**

The ornamental design for a blender, as shown and described.

DESCRIPTION

1. Blender

Fig. 1.1 is a perspective view showing the blender of my design;

Fig. 1.2 is a front elevational view thereof;

Fig. 1.3 is a rear elevational view thereof;

Fig. 1.4 is a right side elevational view thereof;

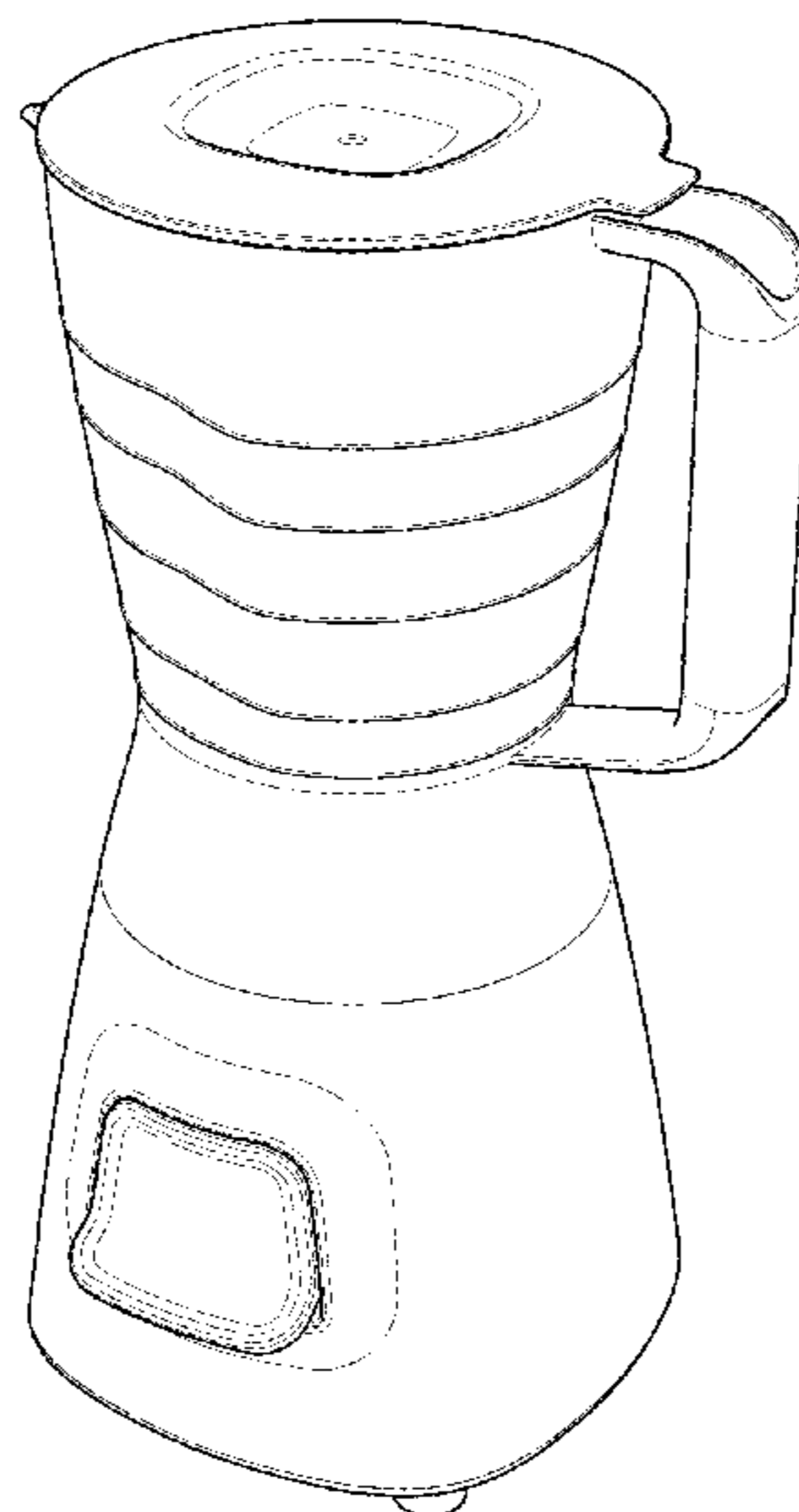
Fig. 1.5 is a left side elevational view thereof;

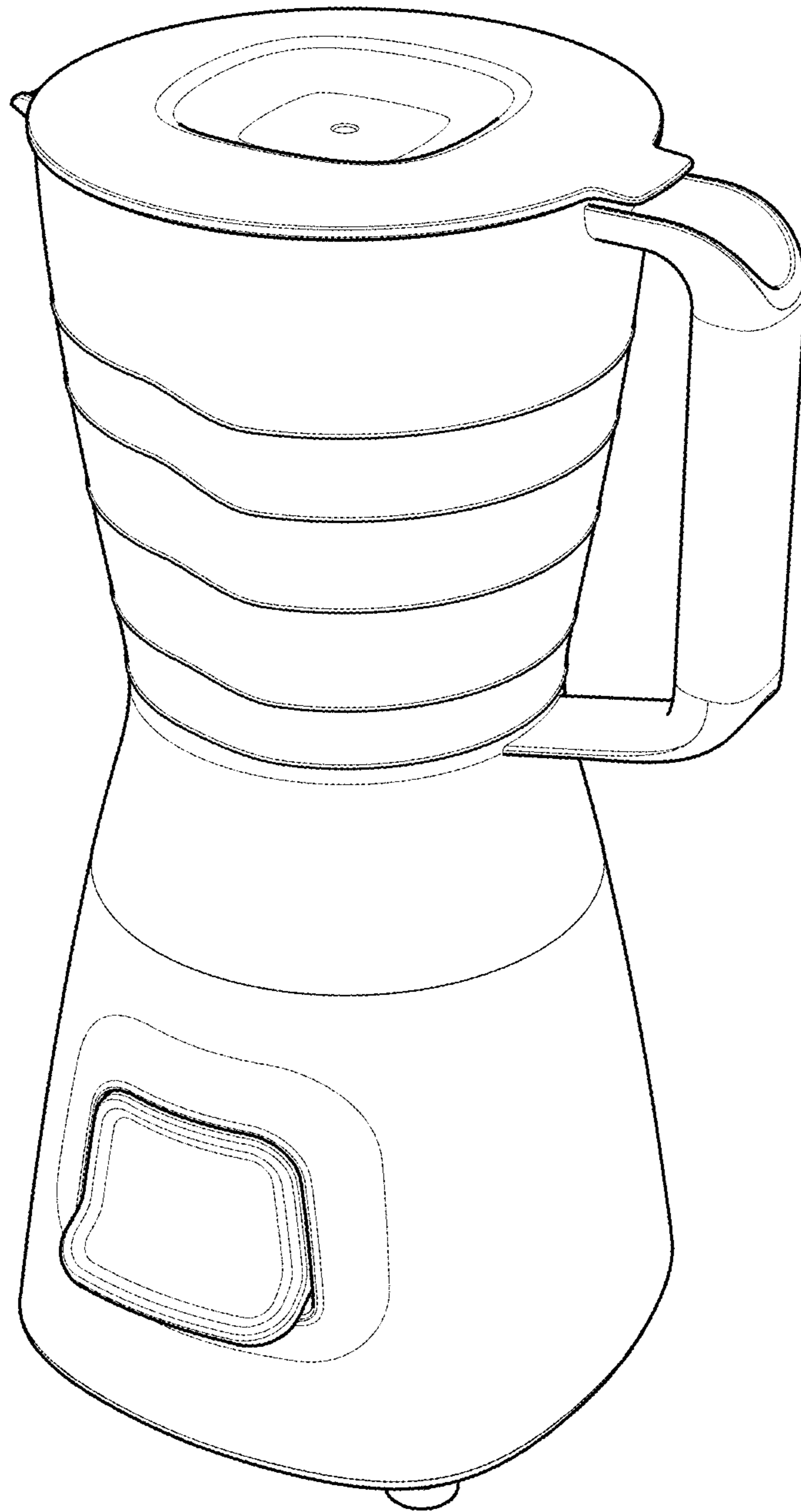
Fig. 1.6 is a top plan view thereof; and

Fig. 1.7 is a bottom plan view thereof.

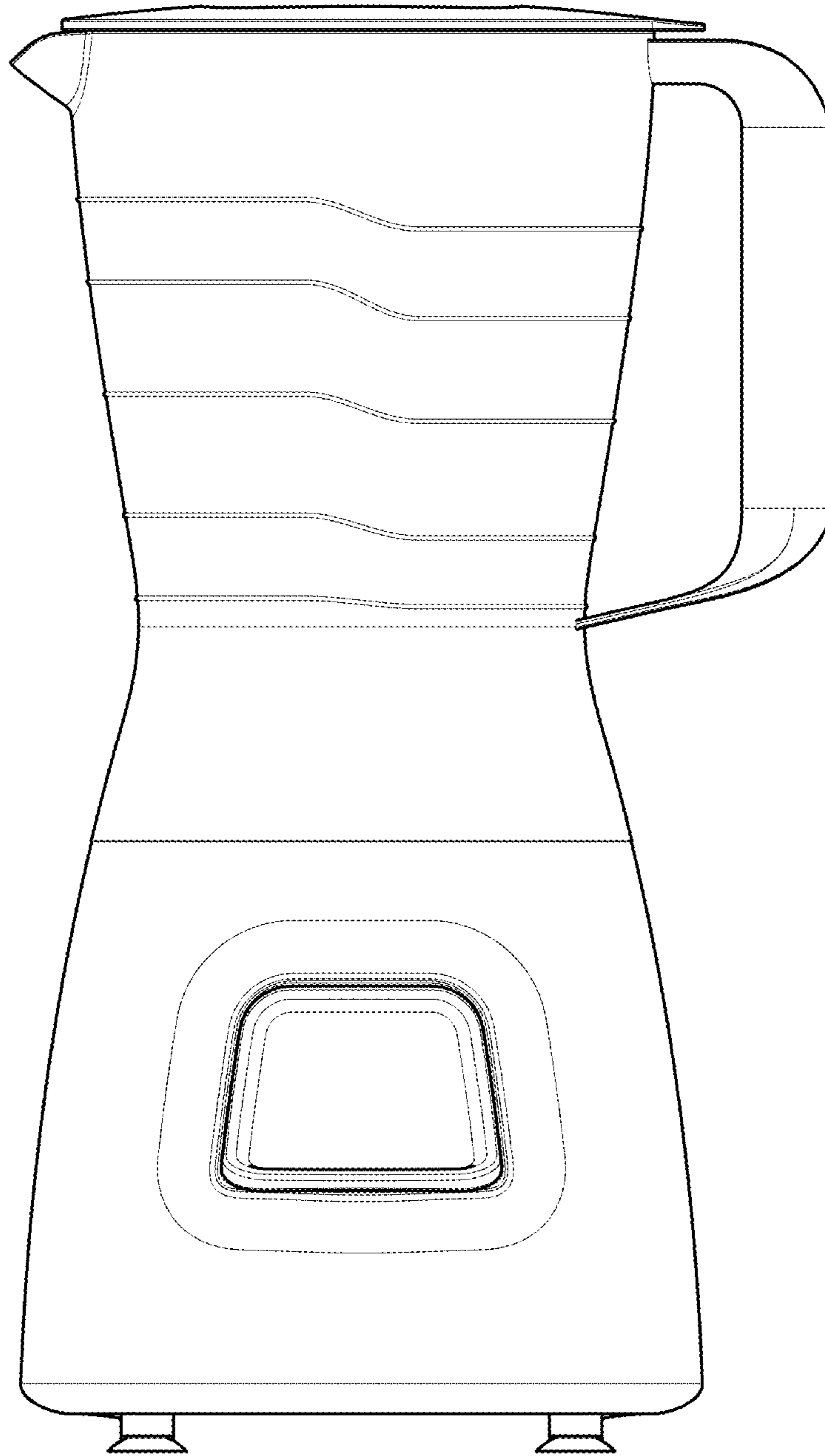
The broken lines shown in the drawings depict portions of the blender that form no part of the claimed design.

1 Claim, 6 Drawing Sheets

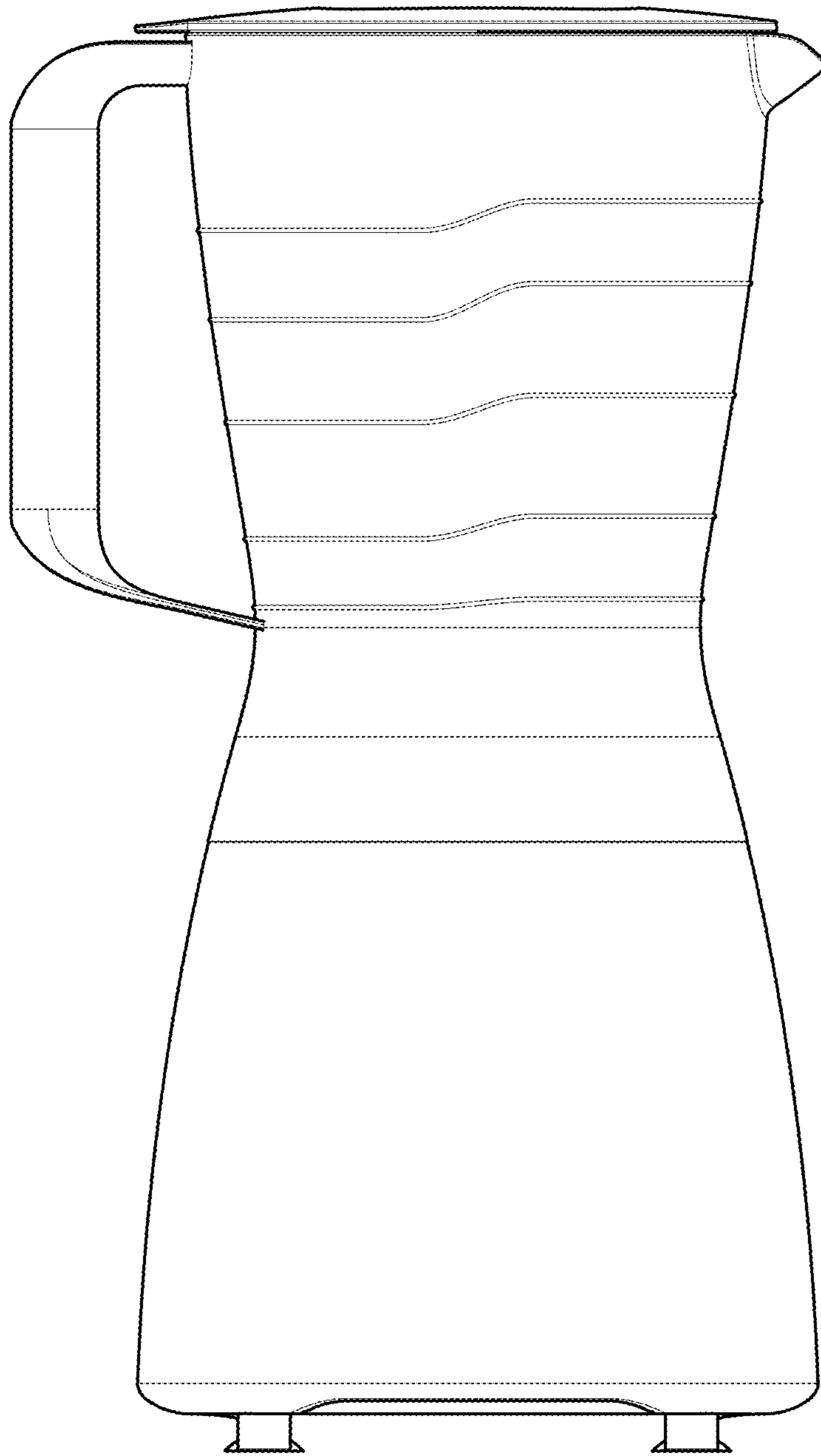




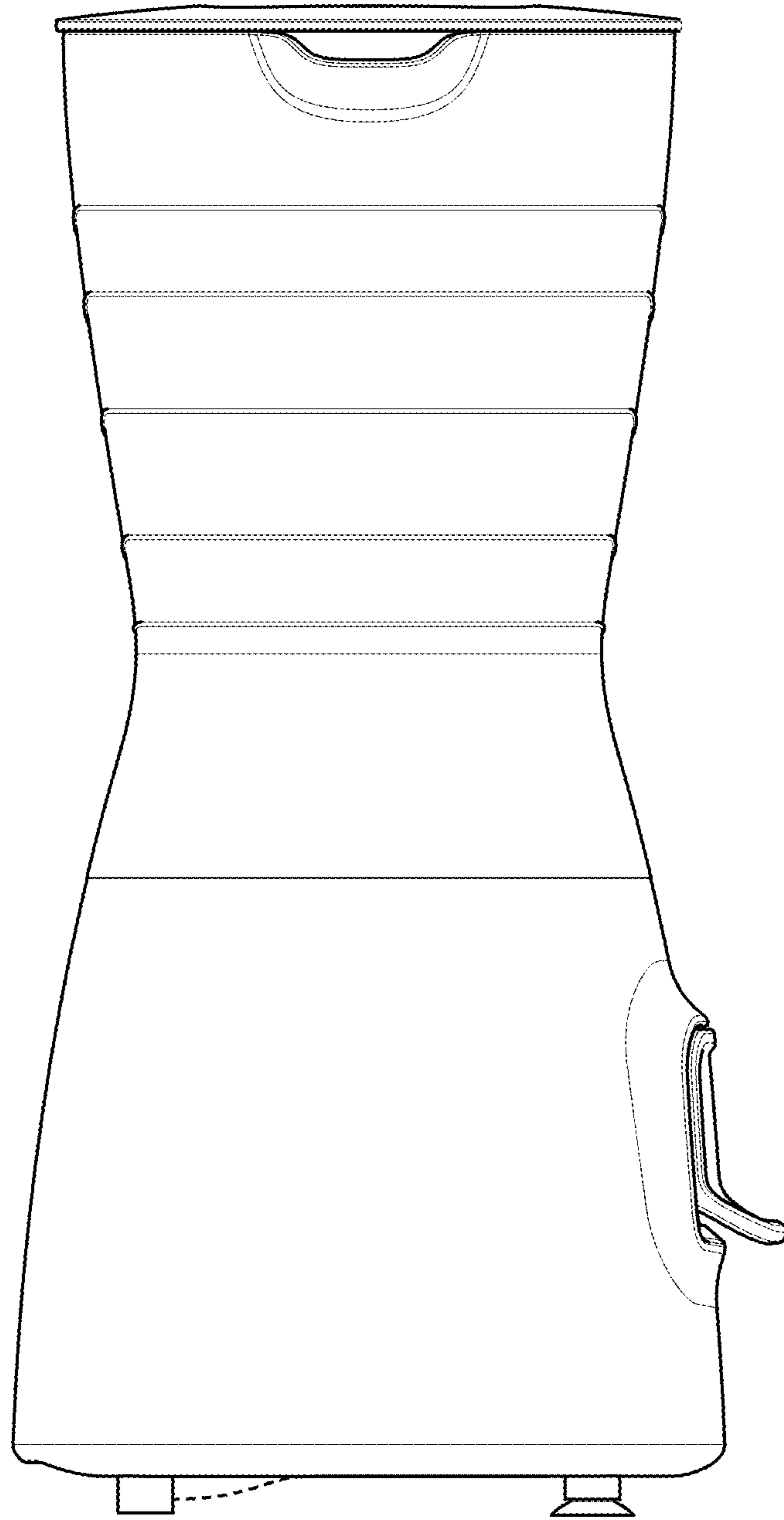
1.1



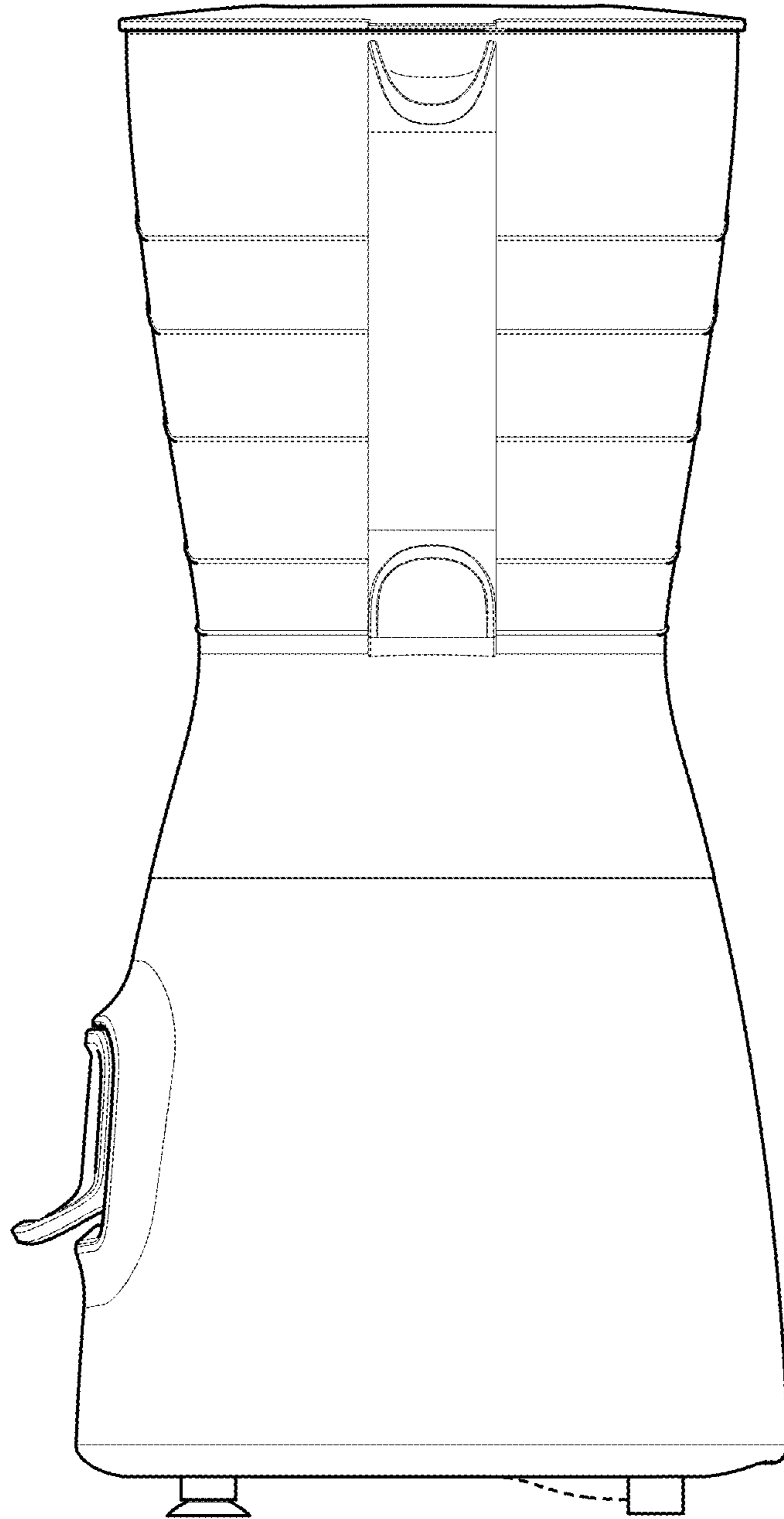
1.2



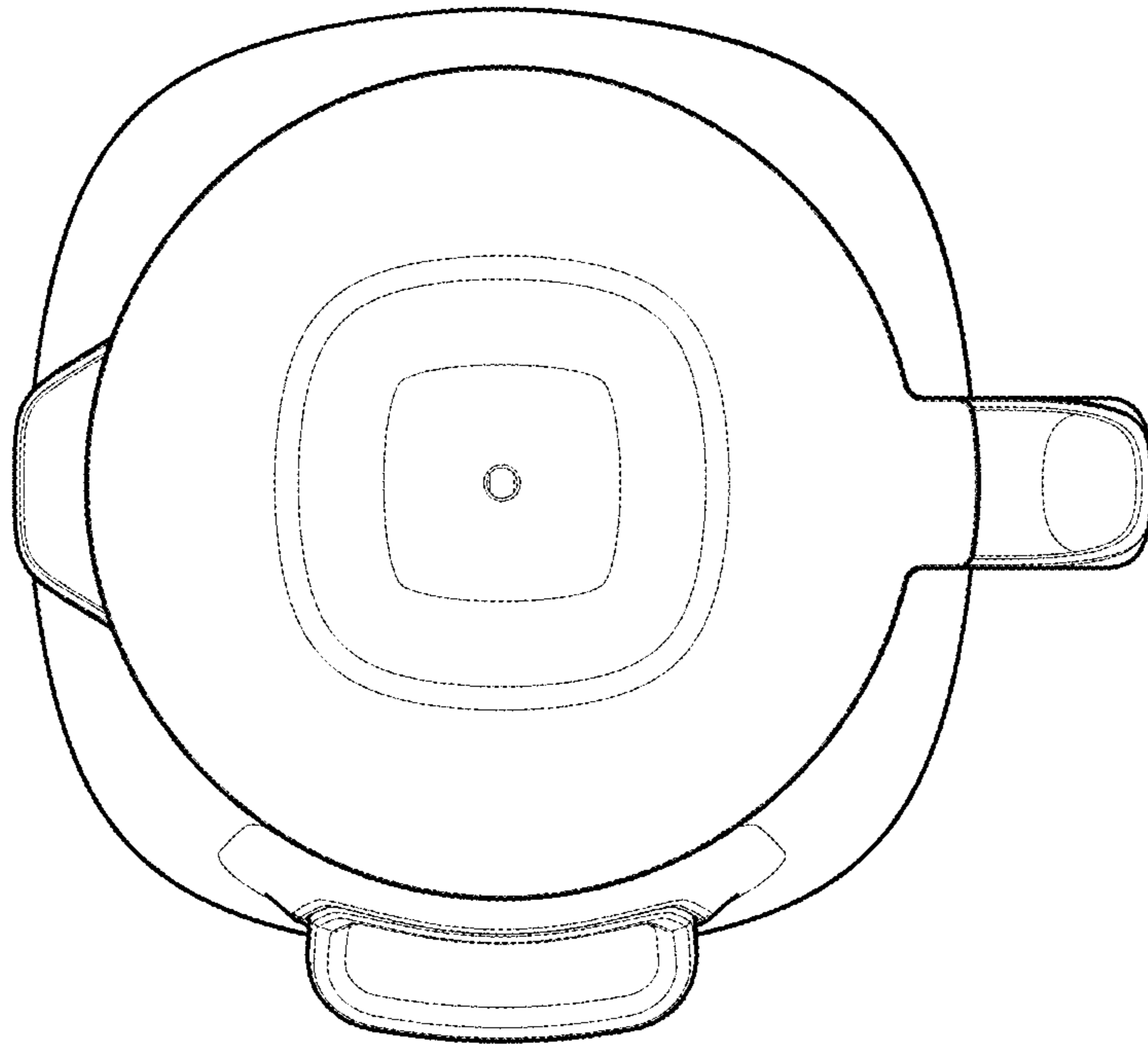
1.3



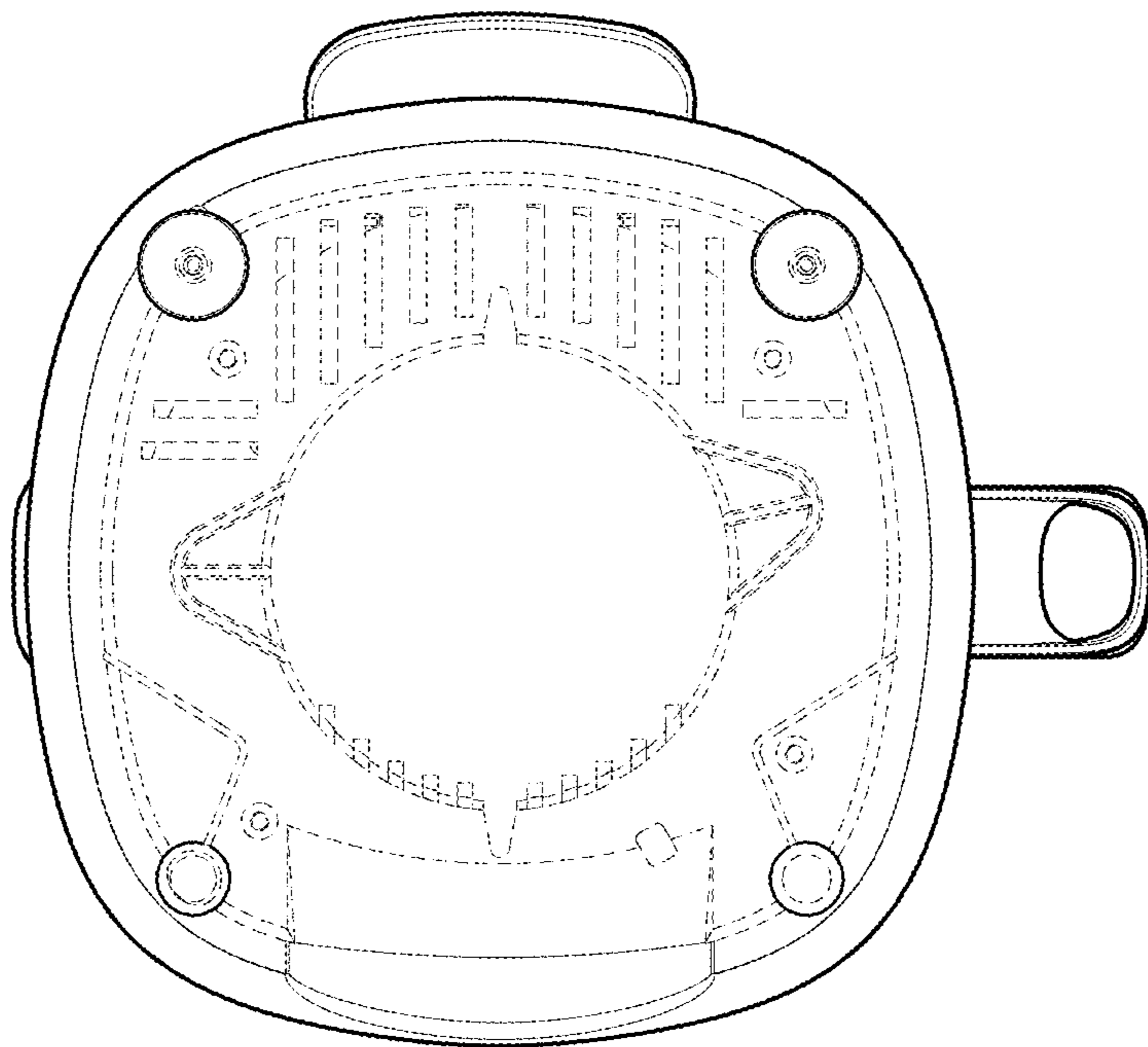
1.4



1.5



1.6



1.7