



US00D805342S

(12) **United States Design Patent** (10) **Patent No.:** **US D805,342 S**
Benoit et al. (45) **Date of Patent:** **** Dec. 19, 2017**

(54) **WATER FILTRATION PITCHER**

OTHER PUBLICATIONS

(71) Applicant: **Whirlpool Corporation**, Benton Harbor, MI (US)
(72) Inventors: **Kaitlyn M. Benoit**, St. Joseph, MI (US); **David P. Cooper**, Dowagiac, MI (US); **Christopher A. Gregory**, St. Joseph, MI (US); **Joseph R. Peters**, St. Joseph, MI (US)
(73) Assignee: **Whirlpool Corporation**, Benton Harbor, MI (US)

International Searching Authority, "Search Report and Written Opinion," issued in connection with International Patent Application No. PCT/US2013/073118, dated Apr. 17, 2014.

(Continued)

Primary Examiner — Daniel Bui
Assistant Examiner — Andrew Kerr
(74) *Attorney, Agent, or Firm* — Nyemaster Goode, P.C.

(**) Term: **15 Years**

(21) Appl. No.: **29/559,893**

(22) Filed: **Mar. 31, 2016**

(51) **LOC (10) Cl.** **07-01**

(52) **U.S. Cl.**
USPC **D7/318**

(58) **Field of Classification Search**
USPC D7/317, 318, 321; D23/209; 220/703
CPC A47J 31/06; A47G 19/14; A47G 19/145; B65D 43/02; B01D 35/02
See application file for complete search history.

(56) **References Cited**

U.S. PATENT DOCUMENTS

651,948 A	6/1900	Lawson
1,536,890 A	5/1925	Lagemann
1,674,203 A	6/1928	Holz et al.
3,221,915 A	12/1965	Gort et al.
3,823,824 A	7/1974	Close
4,072,243 A	2/1978	Conant et al.

(Continued)

FOREIGN PATENT DOCUMENTS

CA	2892381 A1	6/2014
CA	2892383 A1	6/2014

(Continued)

(57) **CLAIM**

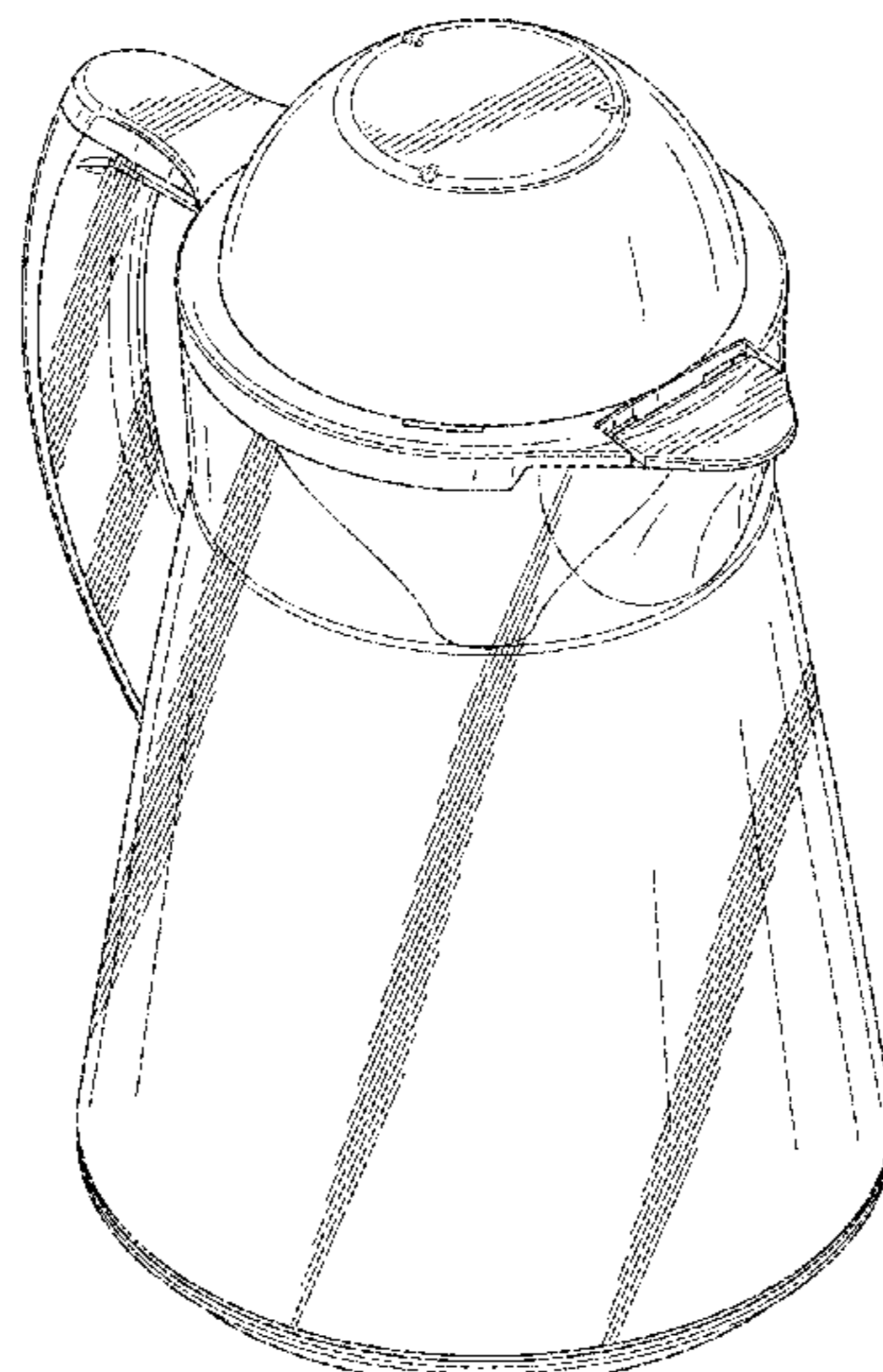
We claim the ornamental design for a water filtration pitcher, as shown and described.

DESCRIPTION

FIG. 1 is an upper left perspective view of a water filtration pitcher of the present invention;
FIG. 2 is a front elevation view thereof;
FIG. 3 is a back elevation view thereof;
FIG. 4 is a left elevation view thereof;
FIG. 5 is a right elevation view thereof;
FIG. 6 is a top plan view thereof;
FIG. 7 is a bottom plan view thereof;
FIG. 8 is an upper left perspective view of a second embodiment of a water filtration pitcher of the present invention;
FIG. 9 is a front elevation view thereof;
FIG. 10 is a back elevation view thereof;
FIG. 11 is a left elevation view thereof;
FIG. 12 is a right elevation view thereof;
FIG. 13 is a top plan view thereof; and,
FIG. 14 is a bottom plan view thereof.

The broken lines in the drawing views represent unclaimed portions of a water filtration pitcher, which are included for the purpose of illustrating unclaimed environment only, and forms no part of the claimed design.

1 Claim, 14 Drawing Sheets



(56)

References Cited

U.S. PATENT DOCUMENTS

4,283,283 A 8/1981 Zimmerman
 4,419,235 A 12/1983 Sway
 4,528,095 A 7/1985 Byrne
 4,676,385 A 6/1987 Zimmermann
 4,764,274 A 8/1988 Miller
 D300,708 S * 4/1989 Minuti D7/317
 4,828,692 A 5/1989 Peranio
 4,867,875 A 9/1989 Peranio
 4,948,499 A 8/1990 Peranio
 4,999,109 A 3/1991 Sabre
 5,049,272 A 9/1991 Nieweg
 D323,597 S * 2/1992 Minuti D7/317
 D342,416 S * 12/1993 Morgan D7/316
 5,318,703 A 6/1994 Heiligman
 5,328,597 A 7/1994 Boldt, Jr. et al.
 5,393,548 A 2/1995 Heiligman
 5,411,661 A 5/1995 Heiligman
 5,652,008 A 7/1997 Heiligman
 5,656,160 A 8/1997 Parise et al.
 D387,237 S * 12/1997 Benbow D7/318
 D394,982 S * 6/1998 Huang D7/317
 D395,576 S * 6/1998 Huang D7/317
 5,826,493 A 10/1998 Tien Lin
 5,846,418 A 12/1998 Thompson et al.
 D405,640 S * 2/1999 Saltet D7/317
 5,914,045 A 6/1999 Palmer et al.
 6,024,867 A 2/2000 Parise
 6,074,550 A 6/2000 Hofmann et al.
 6,238,552 B1 5/2001 Shannon
 6,290,847 B1 9/2001 Cutler
 6,428,687 B1 8/2002 Moretto
 6,454,941 B1 9/2002 Cutler et al.
 D496,429 S 9/2004 Donnelly
 7,094,334 B1 8/2006 Guzman et al.
 7,163,625 B1 1/2007 Williamson et al.
 7,294,277 B2 11/2007 Moretto
 7,309,418 B2 12/2007 Joyce et al.
 7,585,409 B2 9/2009 Bommi et al.
 D602,558 S 10/2009 Beams et al.
 7,678,282 B2 3/2010 Moretto
 7,836,708 B2 11/2010 Krause et al.
 7,862,720 B2 1/2011 Brown
 D647,868 S 11/2011 Harrison
 D657,844 S 4/2012 Smiedt et al.
 D666,865 S 9/2012 Spivey et al.
 2005/0252929 A1 11/2005 Bond
 2006/0162860 A1 7/2006 Henke et al.
 2007/0045302 A1 3/2007 Fujii et al.
 2008/0116146 A1 5/2008 Herrington et al.
 2009/0199722 A1 8/2009 Bodum
 2010/0044284 A1 2/2010 Scholz
 2010/0084347 A1 4/2010 Wilder et al.
 2011/0303589 A1 12/2011 Kuennen et al.
 2012/0055862 A1 3/2012 Parekh et al.
 2012/0055865 A1 3/2012 Mohseni et al.
 2012/0148707 A1 6/2012 Lackey et al.
 2014/0151275 A1 6/2014 Bradford et al.

2014/0151284 A1 6/2014 Cur et al.
 2014/0151285 A1 6/2014 Cur et al.
 2014/0151304 A1 6/2014 Bradford et al.
 2014/0175005 A1 6/2014 Bradford et al.

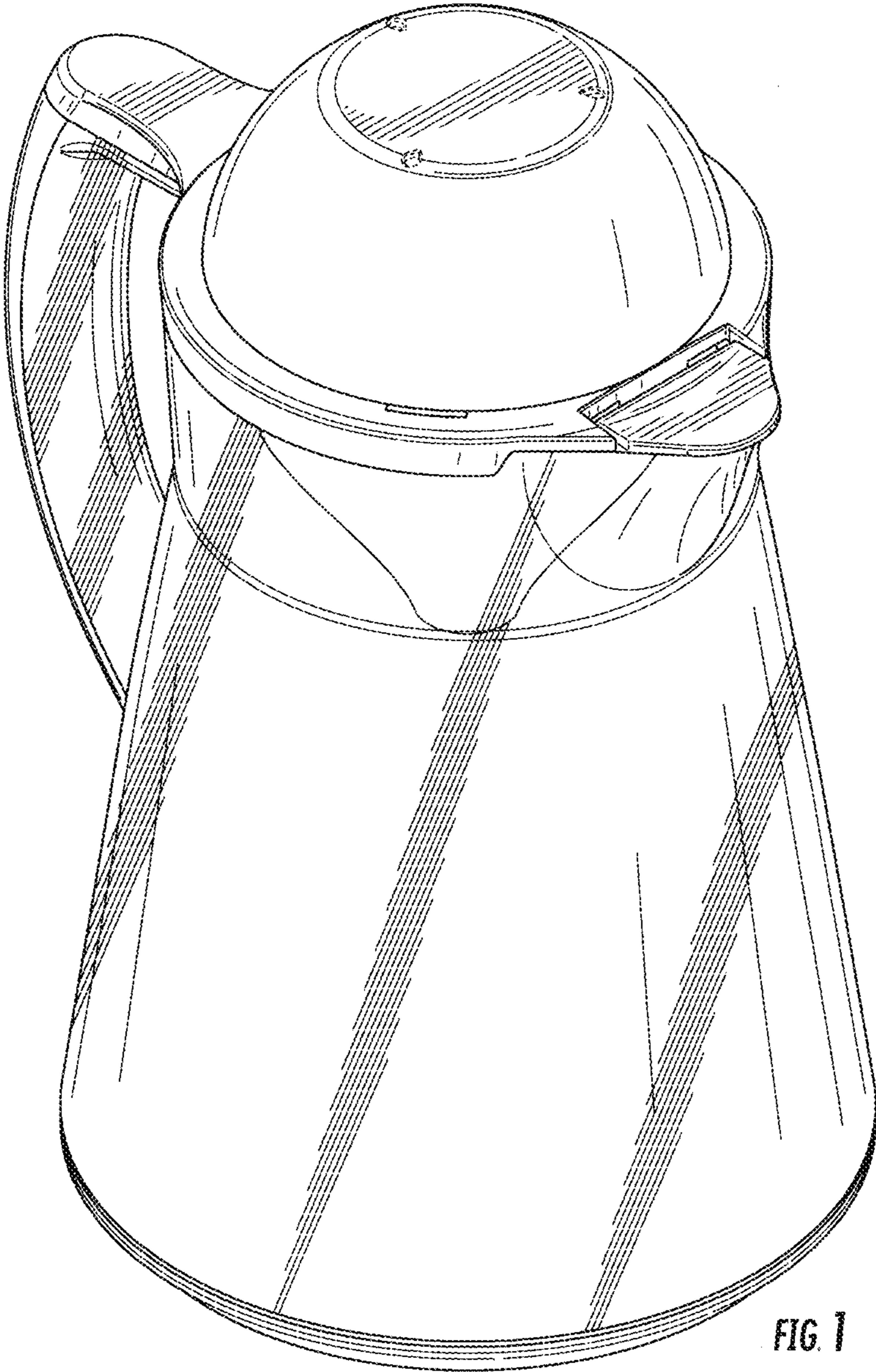
FOREIGN PATENT DOCUMENTS

CA 2892384 A1 6/2014
 CA 2892386 A1 6/2014
 EP 1354857 A1 10/2003
 EP 2928576 A1 10/2015
 EP 2928832 A1 10/2015
 EP 2982575 A1 2/2016
 FR 2884829 A1 10/2006
 GB 2196329 A 4/1988
 GB 2200902 A 8/1988
 GB 2441981 A 3/2008
 RU 45217 U1 4/2005
 WO 9740906 A1 11/1997
 WO 2006110632 A2 10/2006
 WO 2007021686 A2 2/2007
 WO 2010010572 A2 1/2010
 WO 2011013142 A2 2/2011
 WO 2014089207 A1 6/2014
 WO 2014089211 A1 6/2014
 WO 2014089217 A1 6/2014
 WO 2014089221 A1 6/2014
 WO 2014089227 A1 6/2014

OTHER PUBLICATIONS

International Searching Authority, "Search Report and Written Opinion," issued in connection with International Patent Application No. PCT/US2013/073126, dated Apr. 17, 2014.
 International Searching Authority, "Search Report and Written Opinion," issued in connection with International Patent Application No. PCT/US2013/073112, dated Apr. 17, 2014.
 International Searching Authority, "Search Report and Written Opinion," issued in connection with Patent Application No. PCT/US2013/073138, dated Apr. 17, 2014.
 International Searching Authority, "Search Report and Written Opinion," issued in connection with Patent Application No. PCT/US2013/073149, dated Apr. 17, 2014.
 Zumreed, "Drop Speaker," Specification sheet, Dreams, Inc., 2010, 1 page.
 Soma, "Kickstarter Page—Soma: Beautifully Innovative All-Natural Water Filters," <http://www.kickstarter.com/projects/zachallia/soma-beautifully-innovative-all-natural-water-filt>, Dec. 2012.
 Liszewski, Andrew, "ZUmreed Rain Drop Bathroom LED Light," www.ohgizmo.com, May 14, 2007.
 M.H.M., "Zumreed Drop—Showering with your iPod!" One Piece Discoveries: Science and Tech Blog, <http://www.watchonepiecepoint.com/2009/09/zumreed-drop-showering-with-your-ipod/>, Sep. 15, 2009.
 Soma Water—Website, www.somawater.co., last accessed Dec. 2012.

* cited by examiner



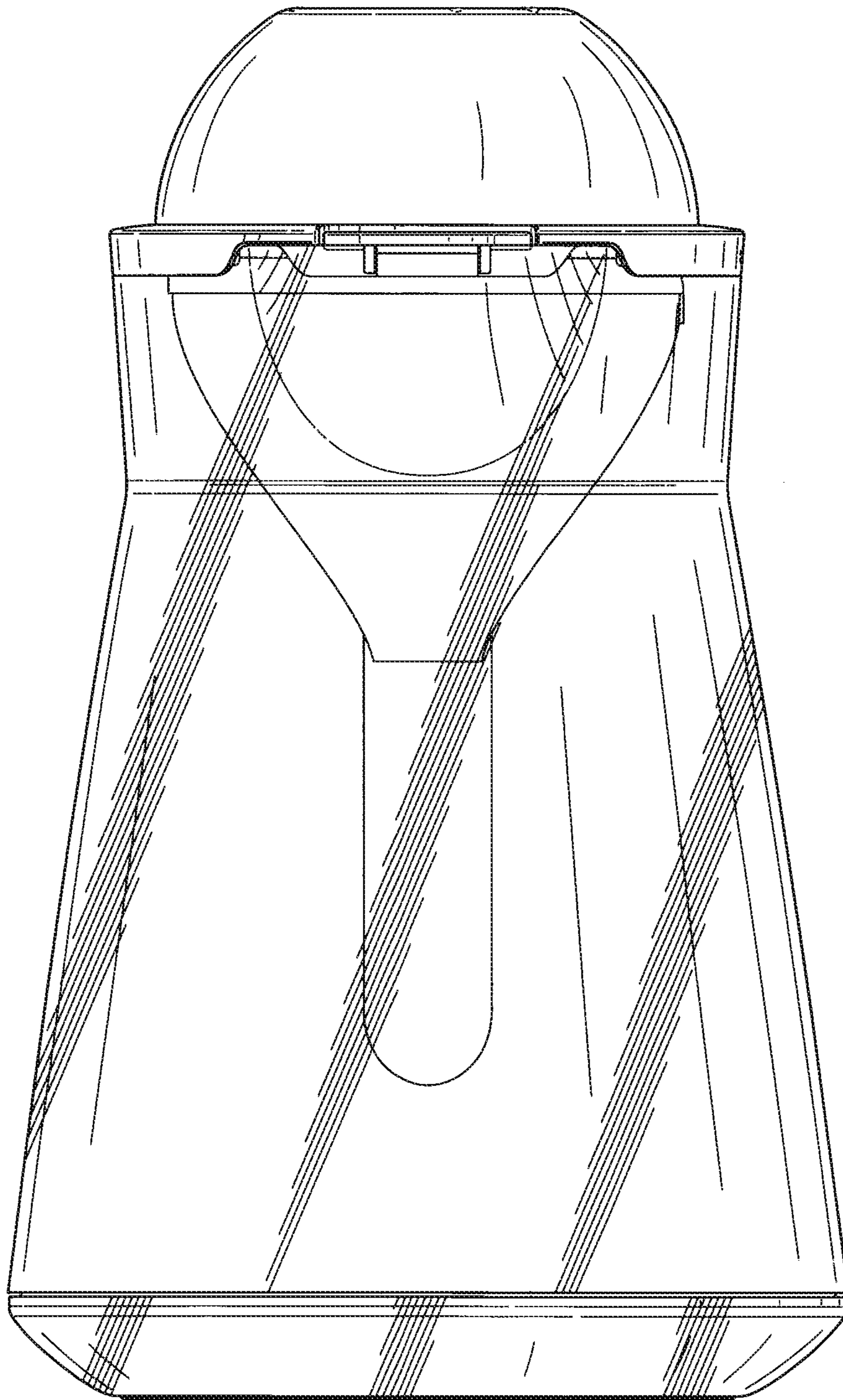


FIG. 2

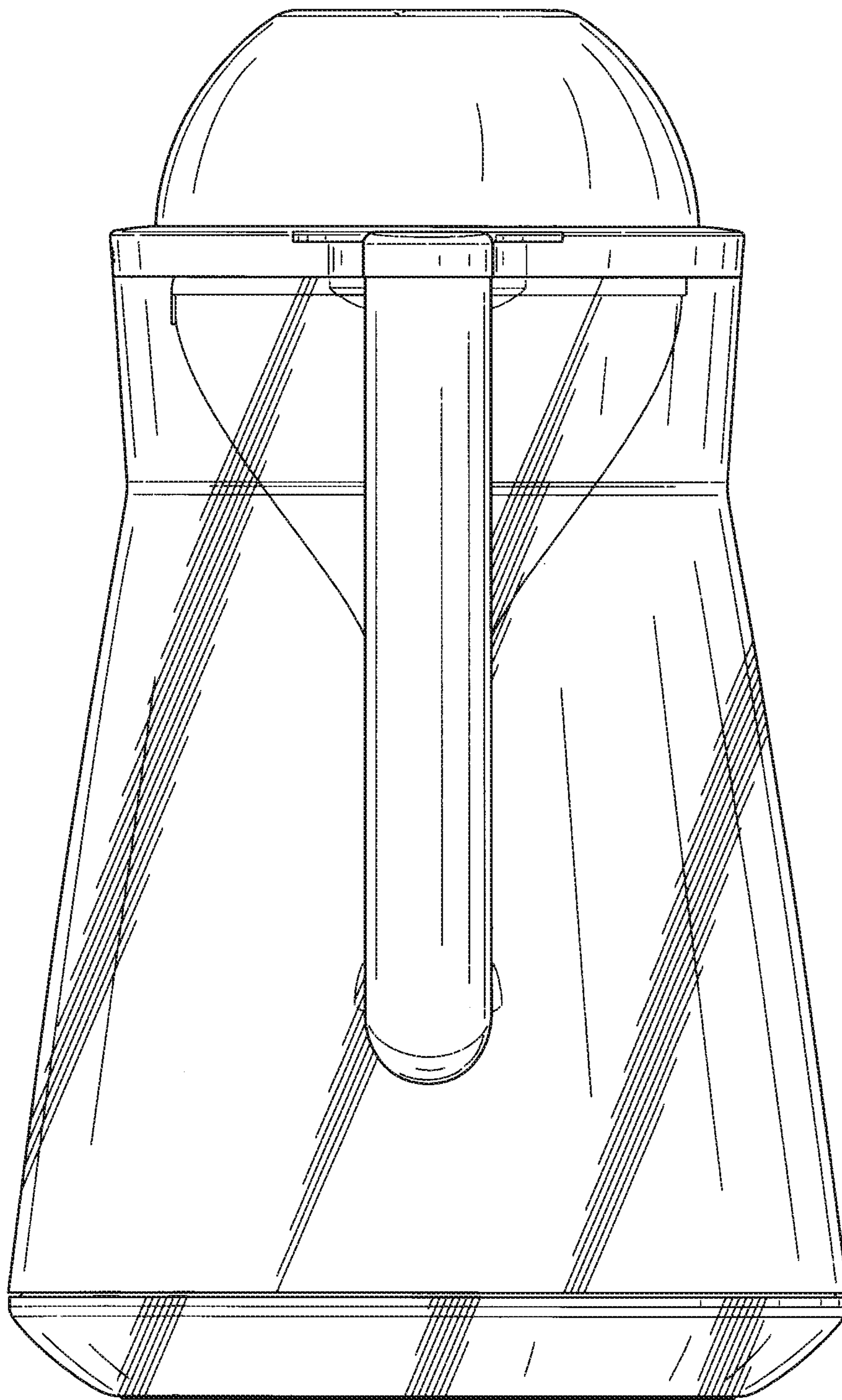


FIG. 3

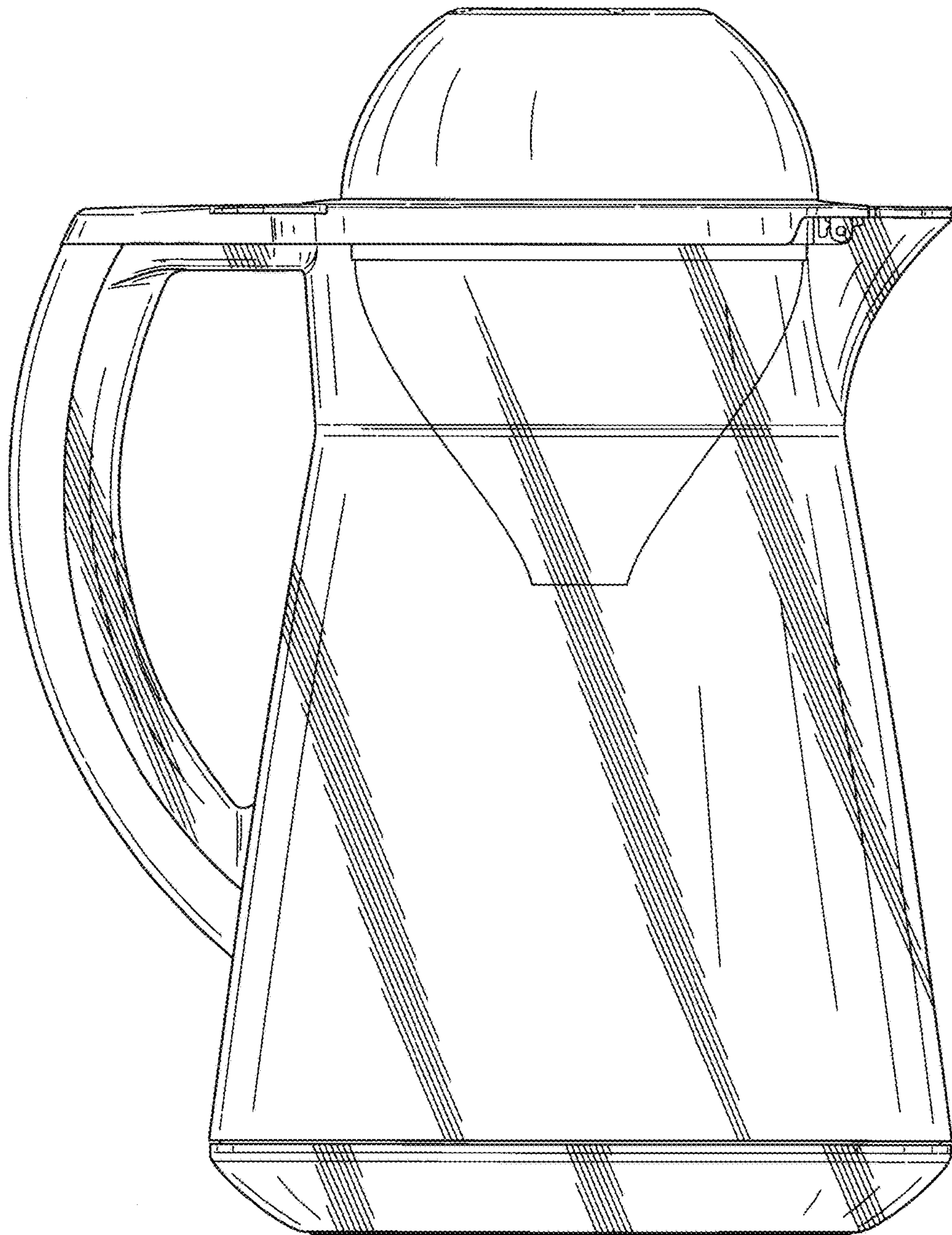


FIG. 4



FIG. 5

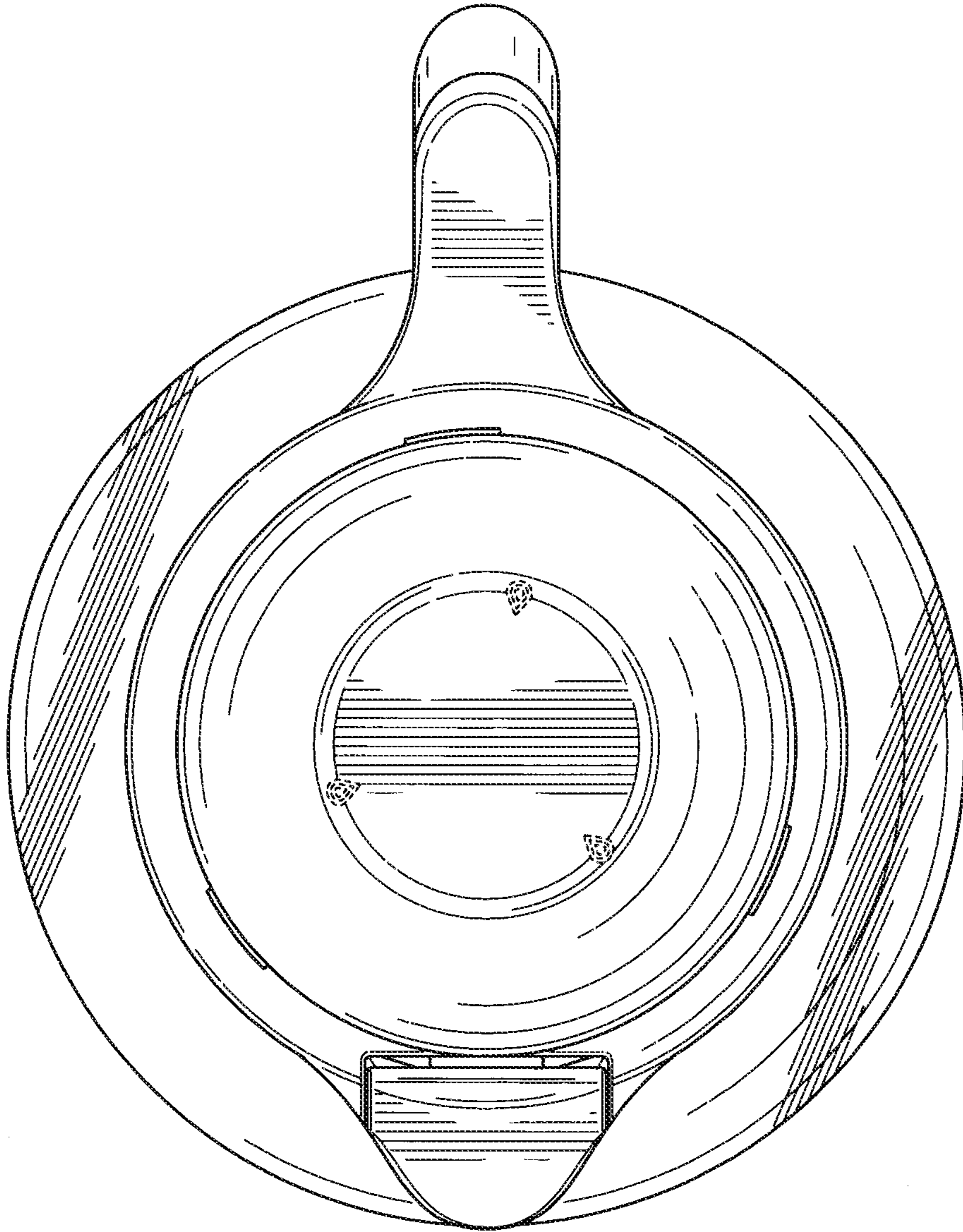


FIG. 6

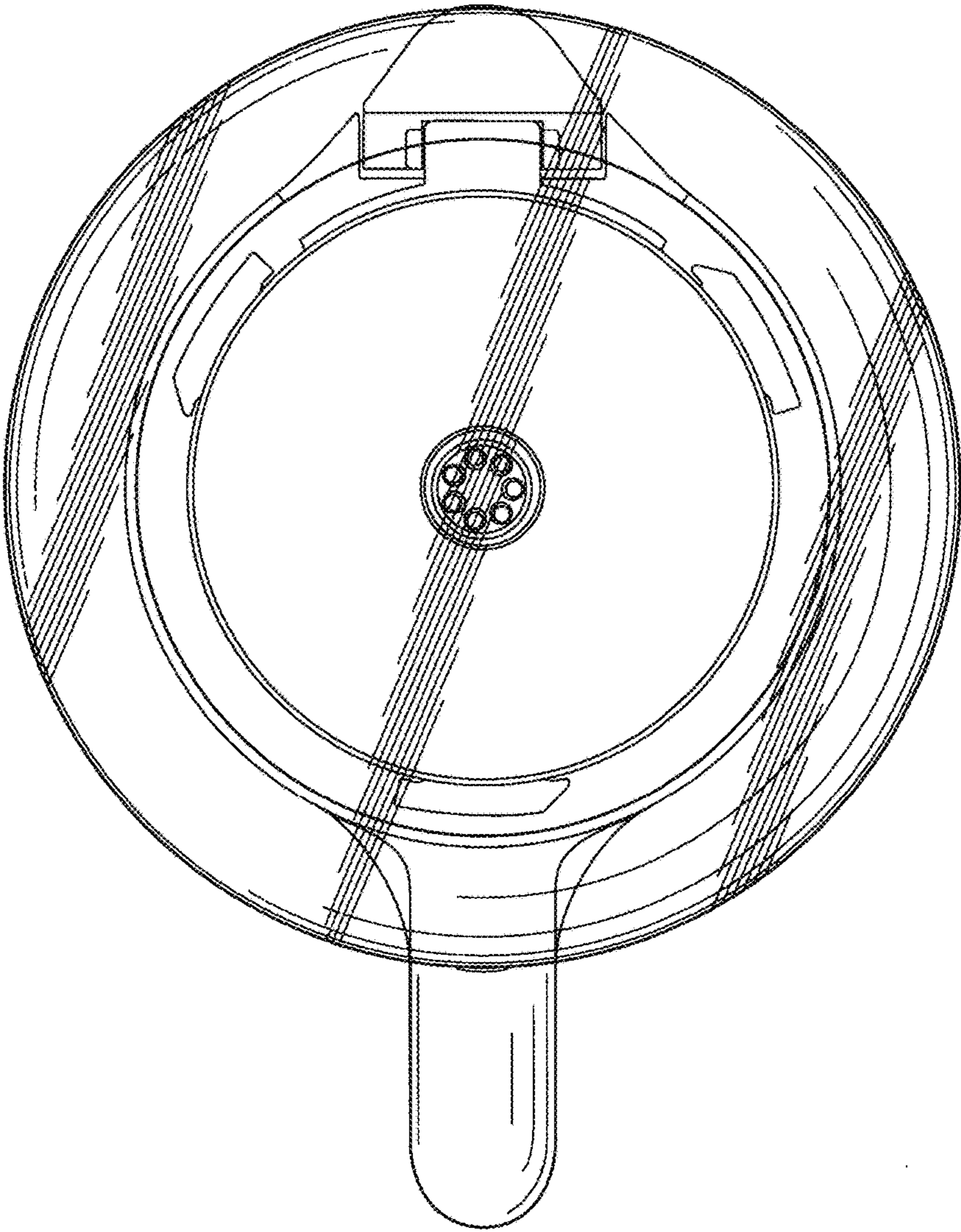


FIG. 7

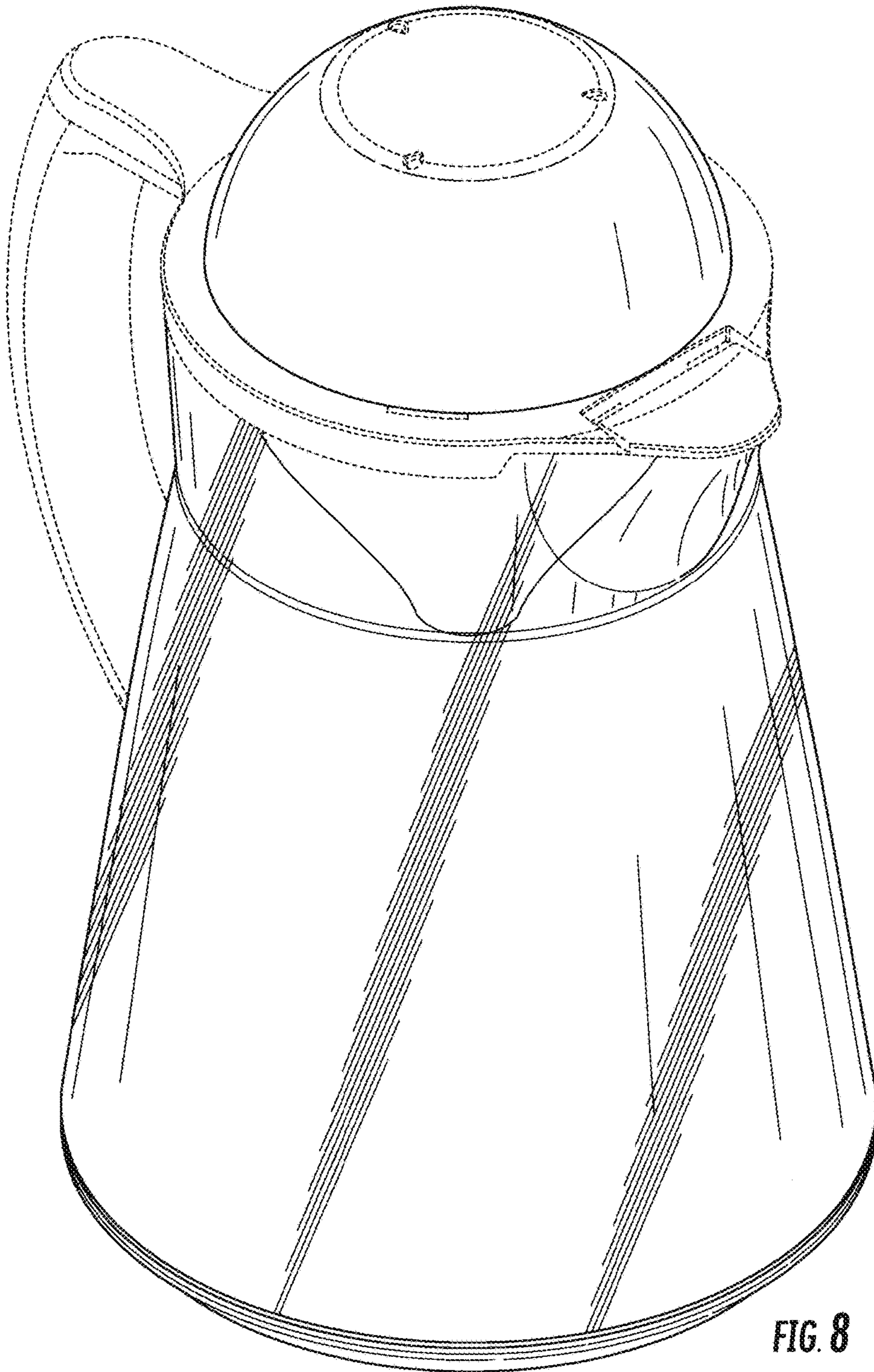


FIG. 8

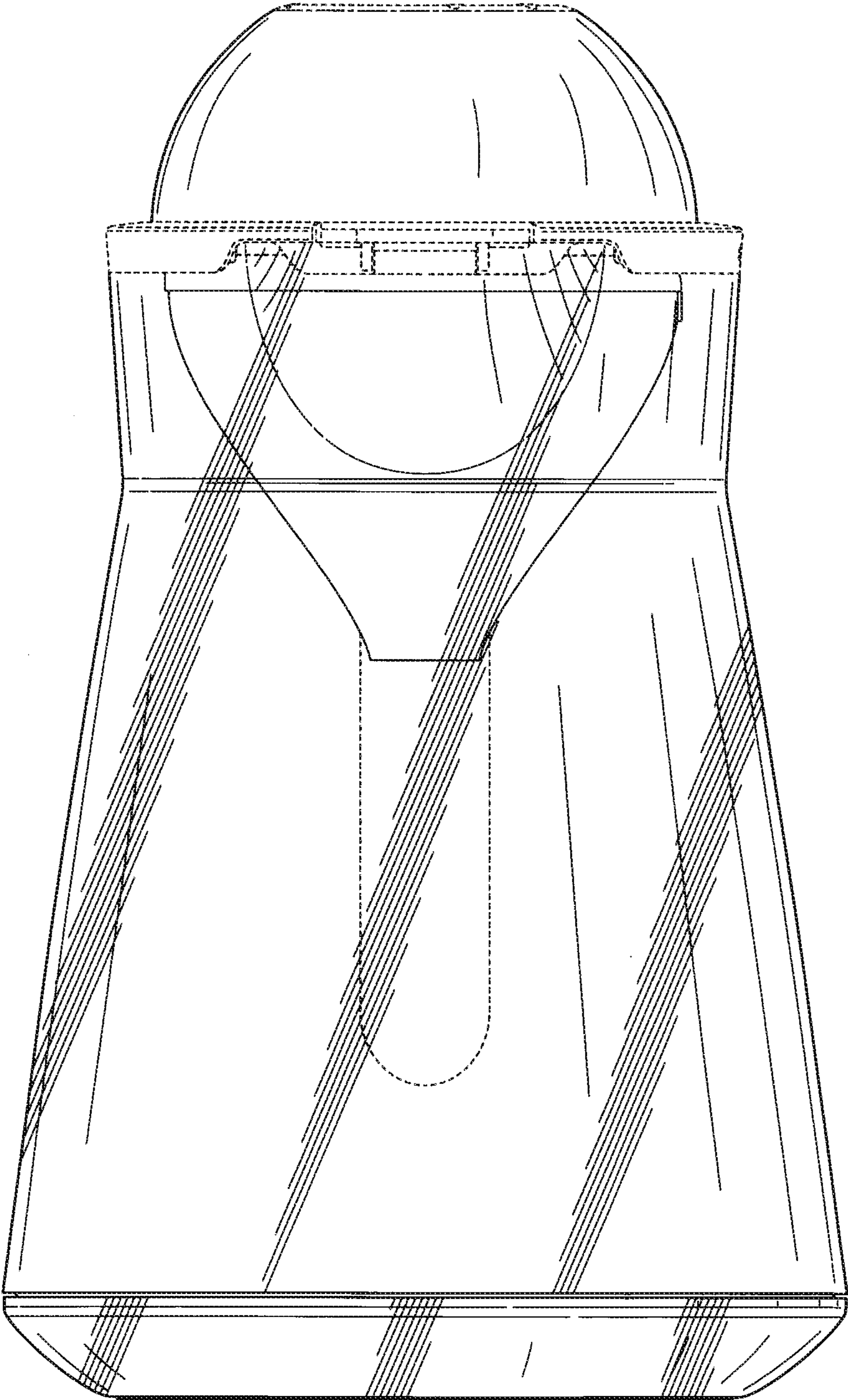


FIG. 9

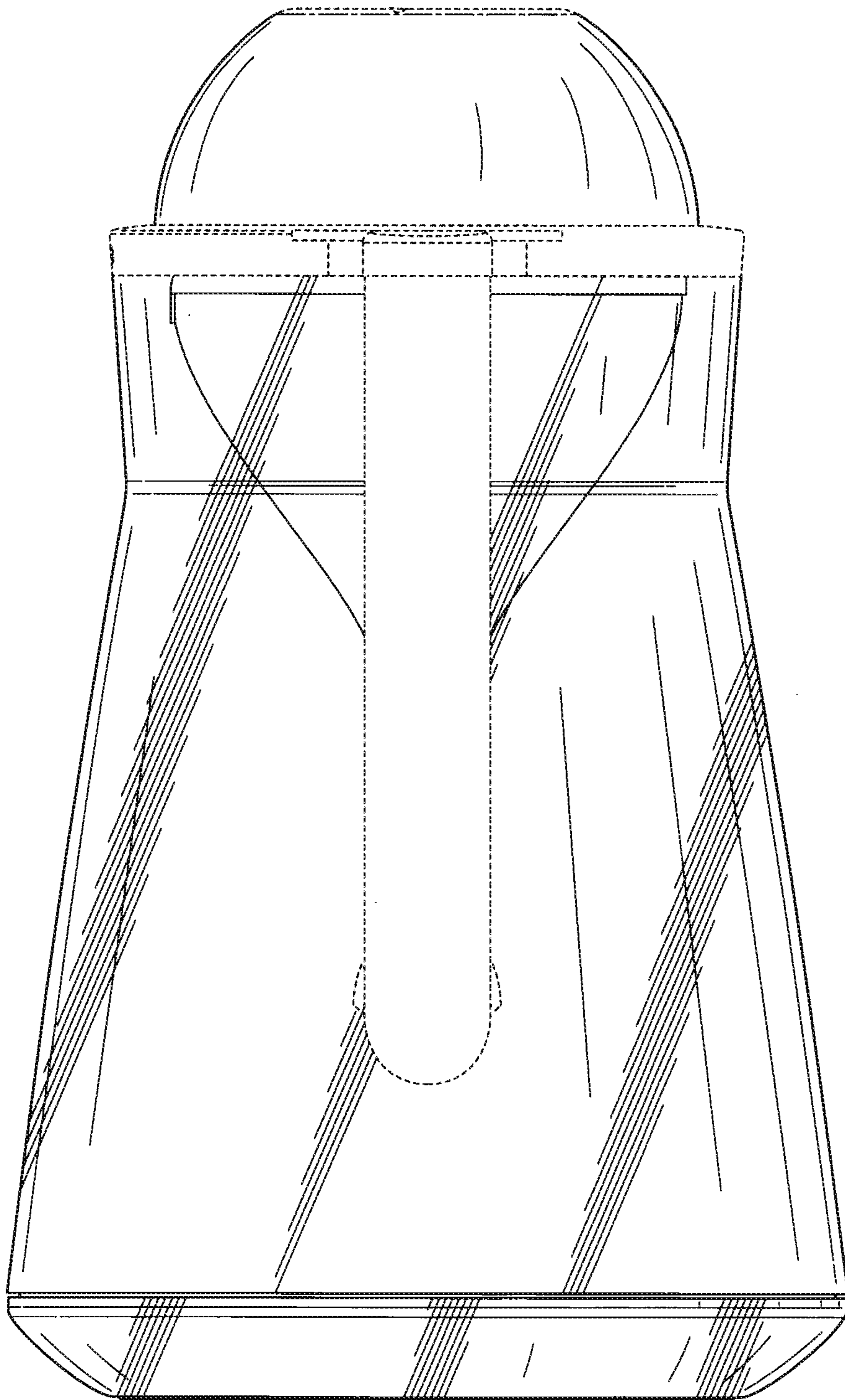


FIG. 10

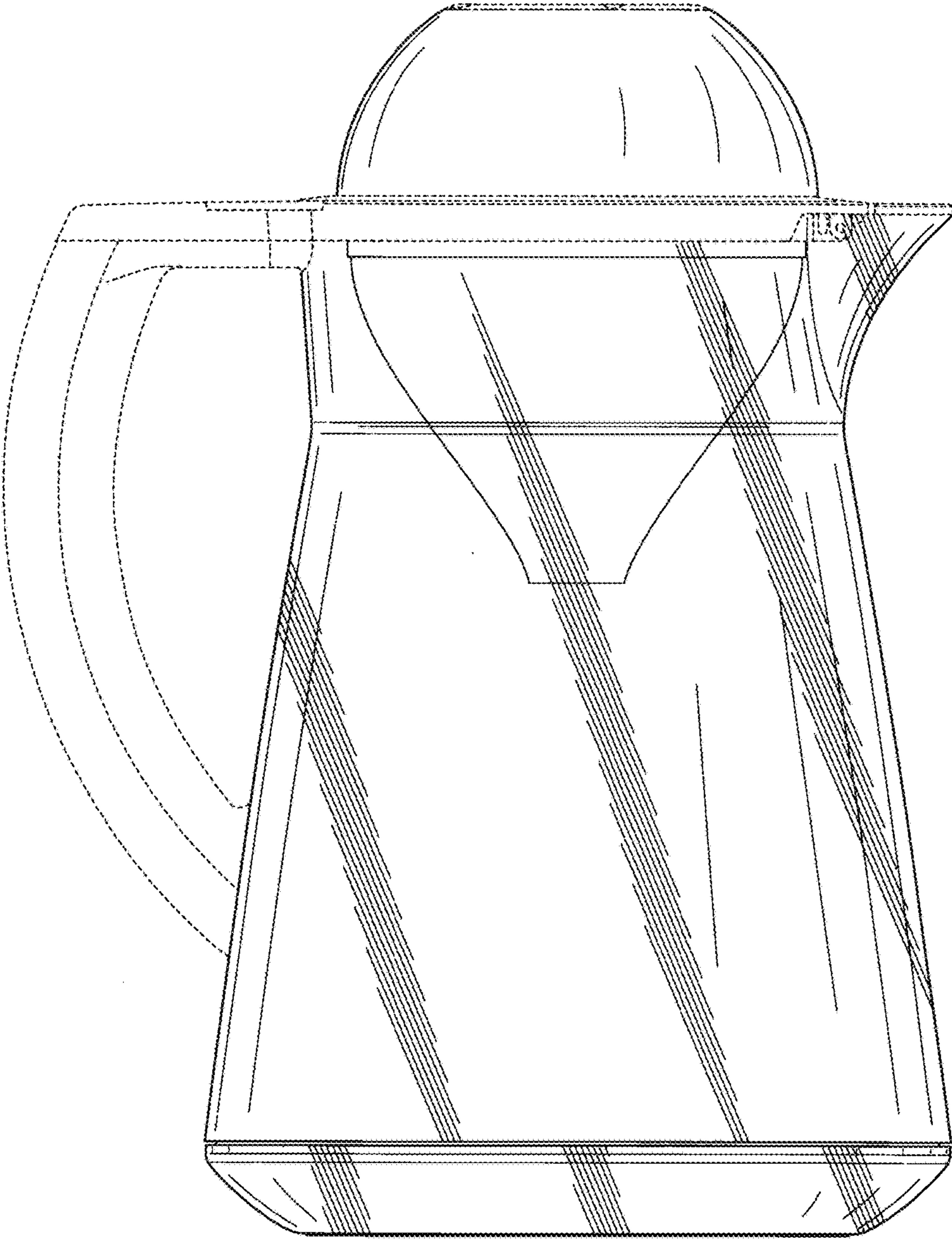


FIG. 11

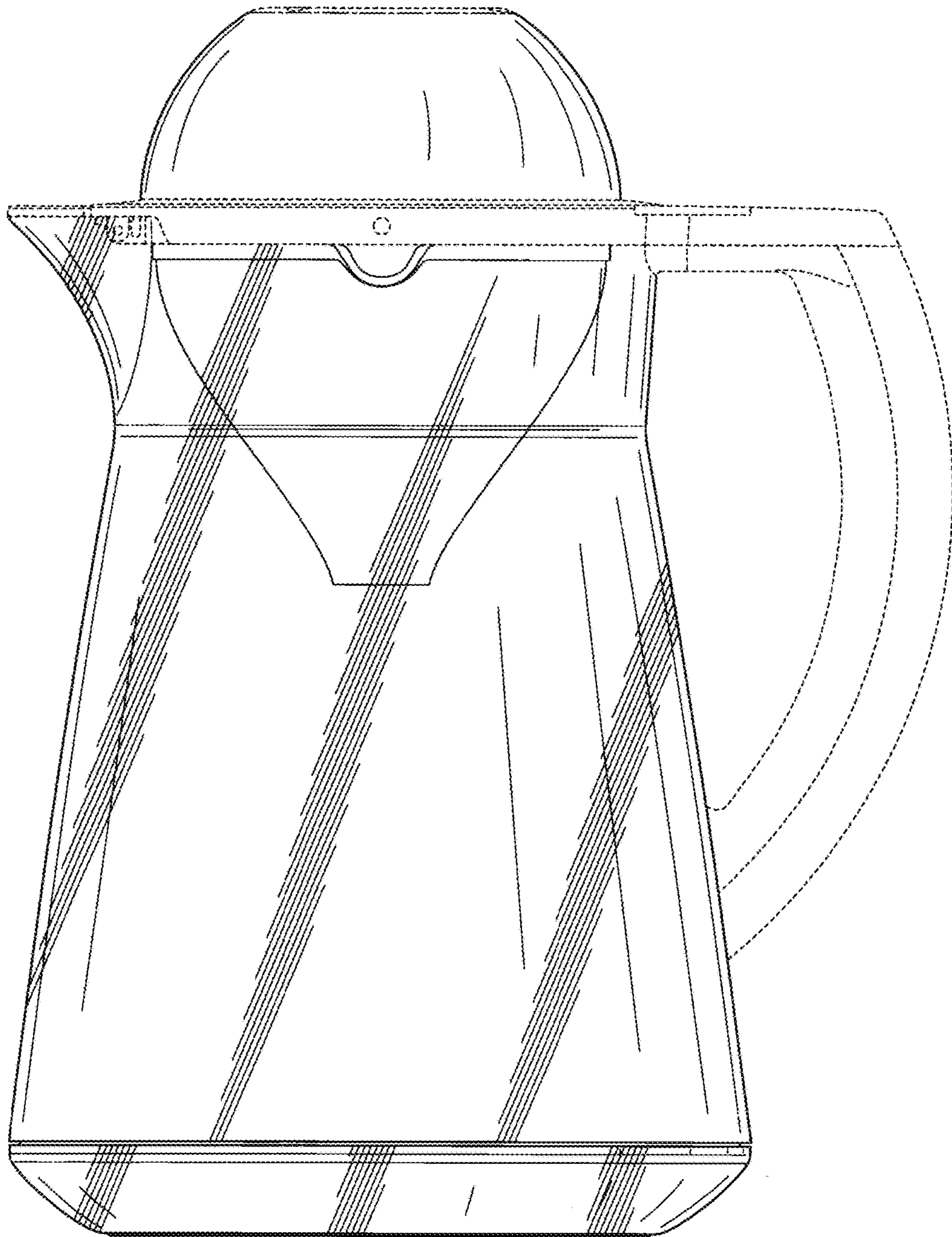


FIG. 12

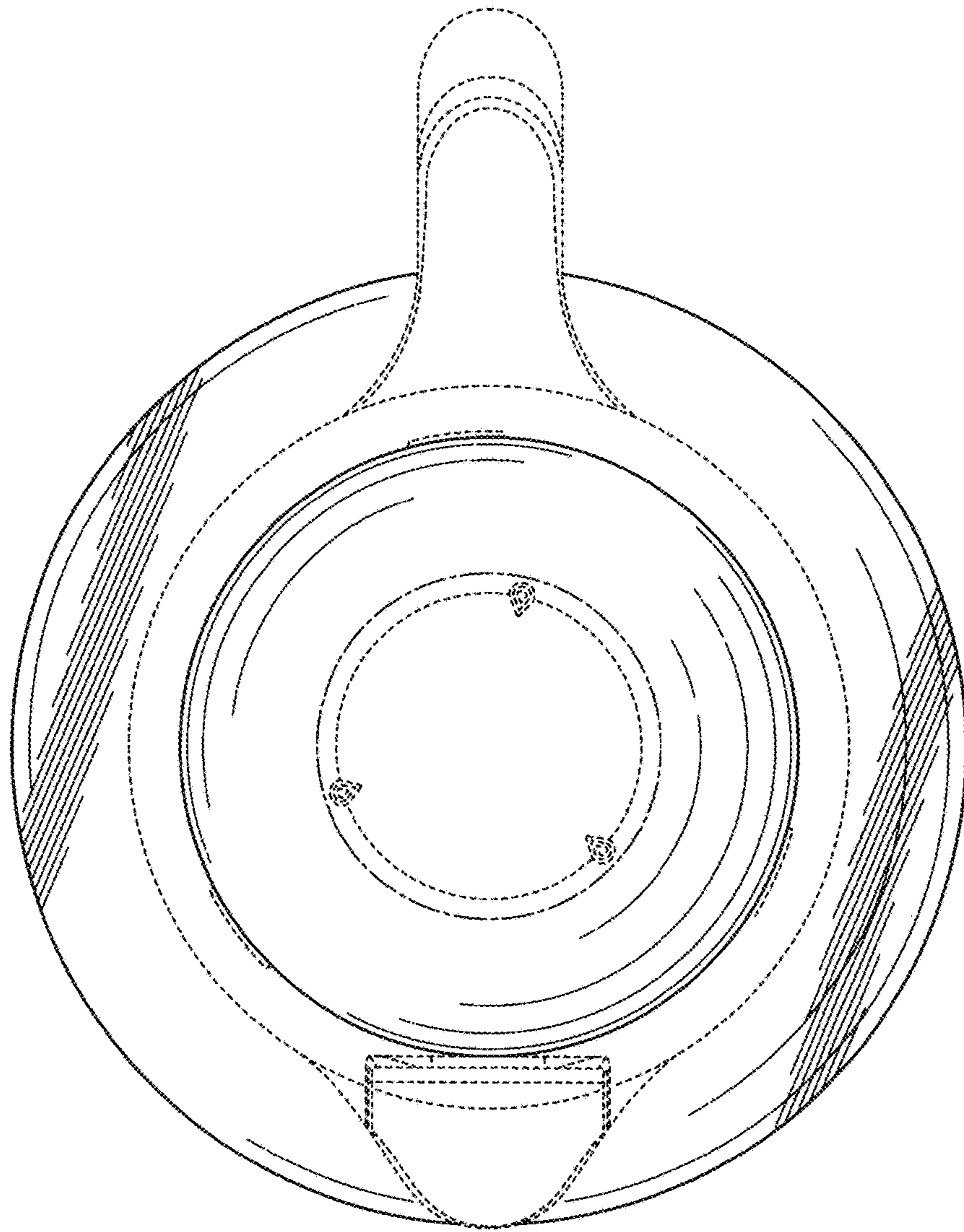


FIG. 13

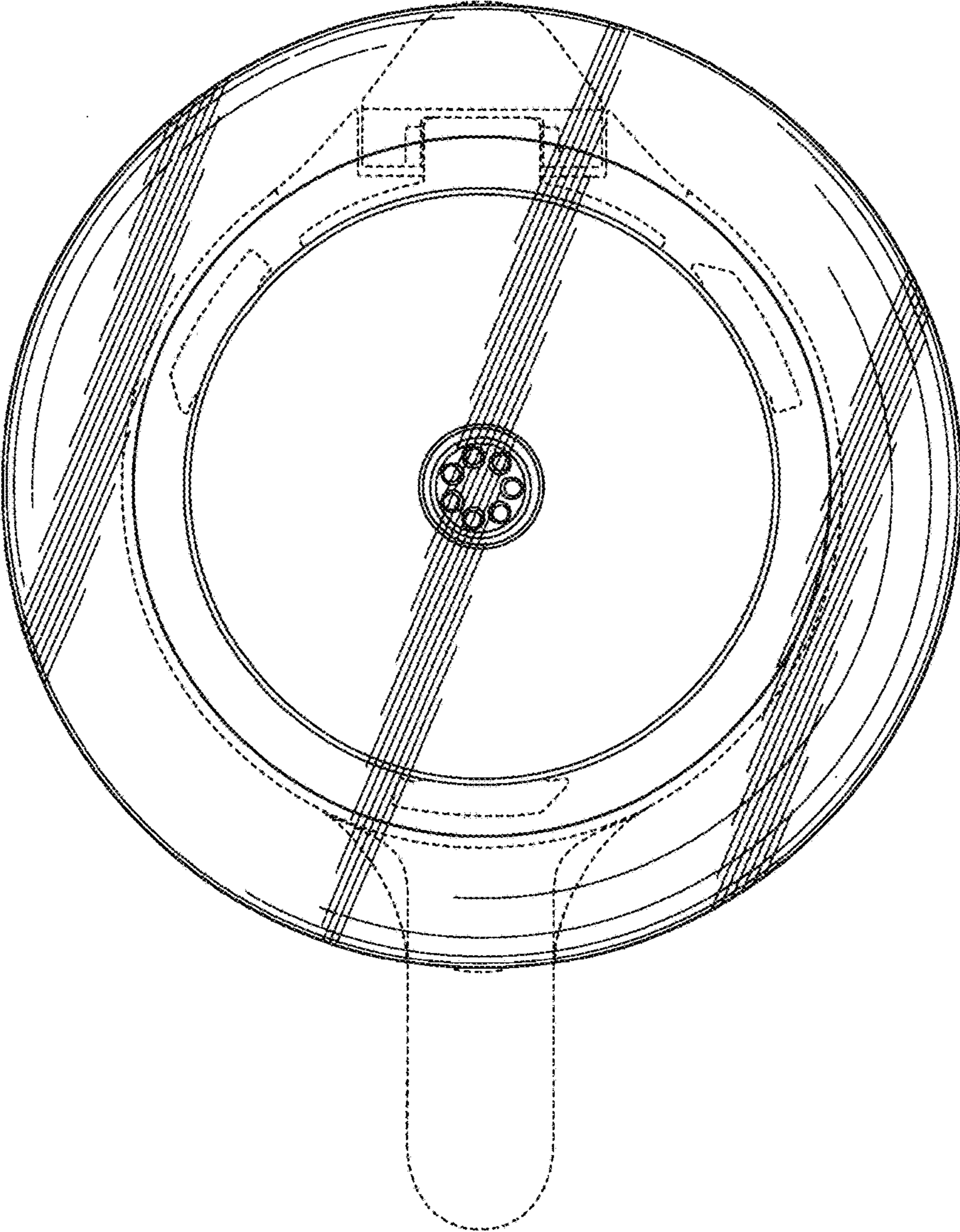


FIG. 14