



US00D805341S

(12) **United States Design Patent**
De' Longhi et al.

(10) **Patent No.:** **US D805,341 S**

(45) **Date of Patent:** **** Dec. 19, 2017**

(54) **ESPRESSO COFFEE MACHINE**

(71) Applicant: **DE' LONGHI APPLIANCES SRL**
CON UNICO SOCIO, Treviso (IT)

(72) Inventors: **Giuseppe De' Longhi**, Treviso (IT);
Francesco Fiorotto, Roncade (IT)

(73) Assignee: **DE' LONGHI APPLIANCES SRL**
CON UNICO SOCIO, Treviso (IT)

(**) Term: **15 Years**

(21) Appl. No.: **29/569,634**

(22) Filed: **Jun. 29, 2016**

(51) **LOC (10) Cl.** **07-01**

(52) **U.S. Cl.**
USPC **D7/309; D7/311**

(58) **Field of Classification Search**
USPC D7/305-311, 313; D15/82; 222/129.1,
222/146.6; 99/295
CPC A47J 31/44; A47J 31/4403; A47J 31/46;
A47J 31/4482; A47J 31/369; A47J
31/407; A47J 31/10; A47J 31/467; A47J
31/0615; B67D 1/36; B67D 2210/0065;
B67D 1/0864; B67D 3/0061
See application file for complete search history.

(56) **References Cited**

U.S. PATENT DOCUMENTS

D343,332 S * 1/1994 Schroeder D7/300
D449,198 S * 10/2001 Cahen D7/309

D463,193 S * 9/2002 Sandor D7/307
D556,495 S * 12/2007 Davenport D7/309
D562,617 S * 2/2008 Liebe D7/309
D593,356 S * 6/2009 Grassia D7/309
D630,880 S * 1/2011 Zimmermann D7/309
D678,718 S * 3/2013 Grassia D7/309
D695,559 S * 12/2013 De Pra D7/309

* cited by examiner

Primary Examiner — Marianne Pandozzi

(74) *Attorney, Agent, or Firm* — Calfee Halter &
Griswold LLP

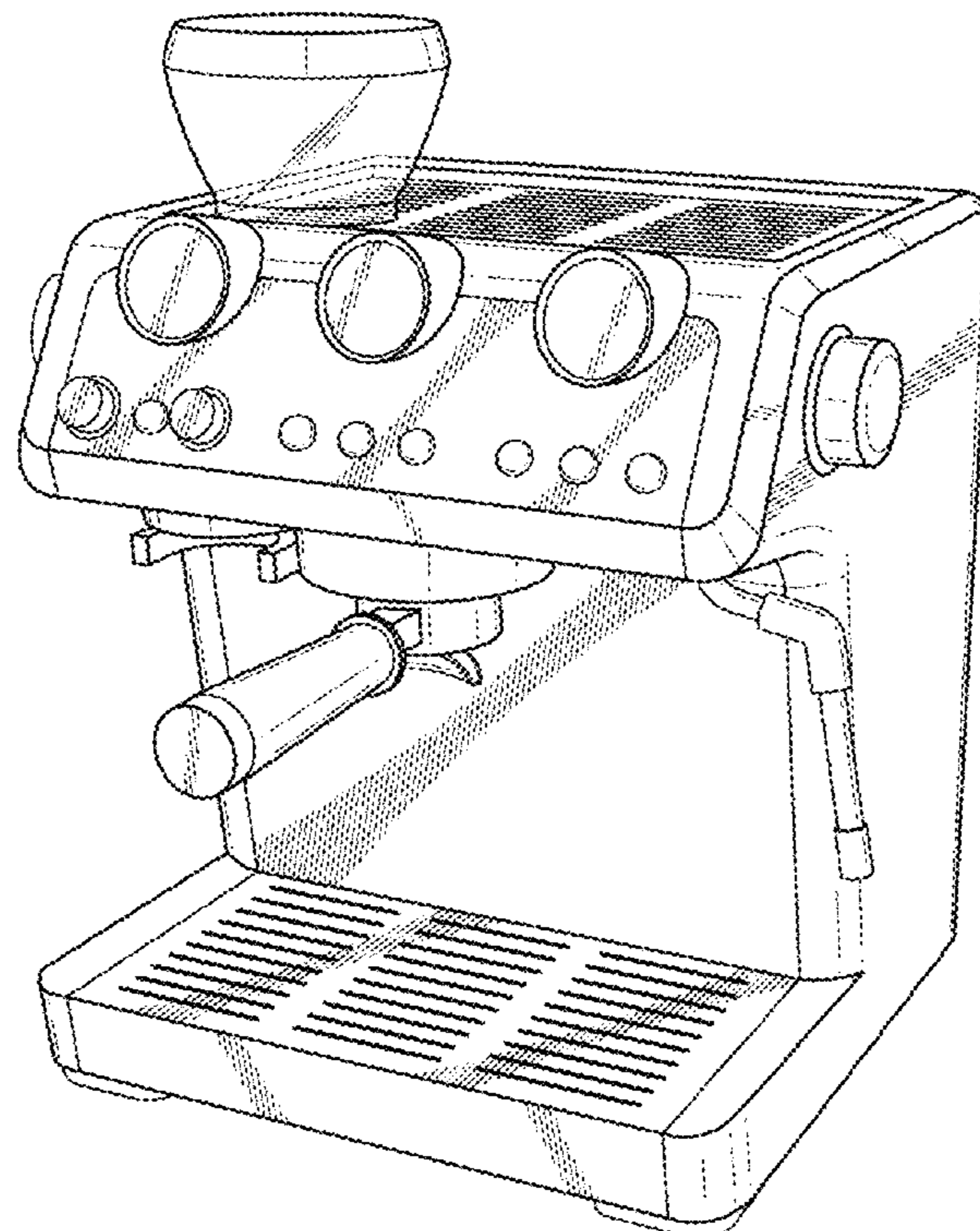
(57) **CLAIM**

The ornamental design for an espresso coffee machine, as shown and described.

DESCRIPTION

FIG. 1 is a perspective view of an espresso coffee machine showing our new design;
FIG. 2 is a front view thereof;
FIG. 3 is a rear view thereof;
FIG. 4 is a left side view thereof;
FIG. 5 is a right side view thereof;
FIG. 6 is a bottom plan view thereof; and,
FIG. 7 is a top plan view thereof.

1 Claim, 7 Drawing Sheets



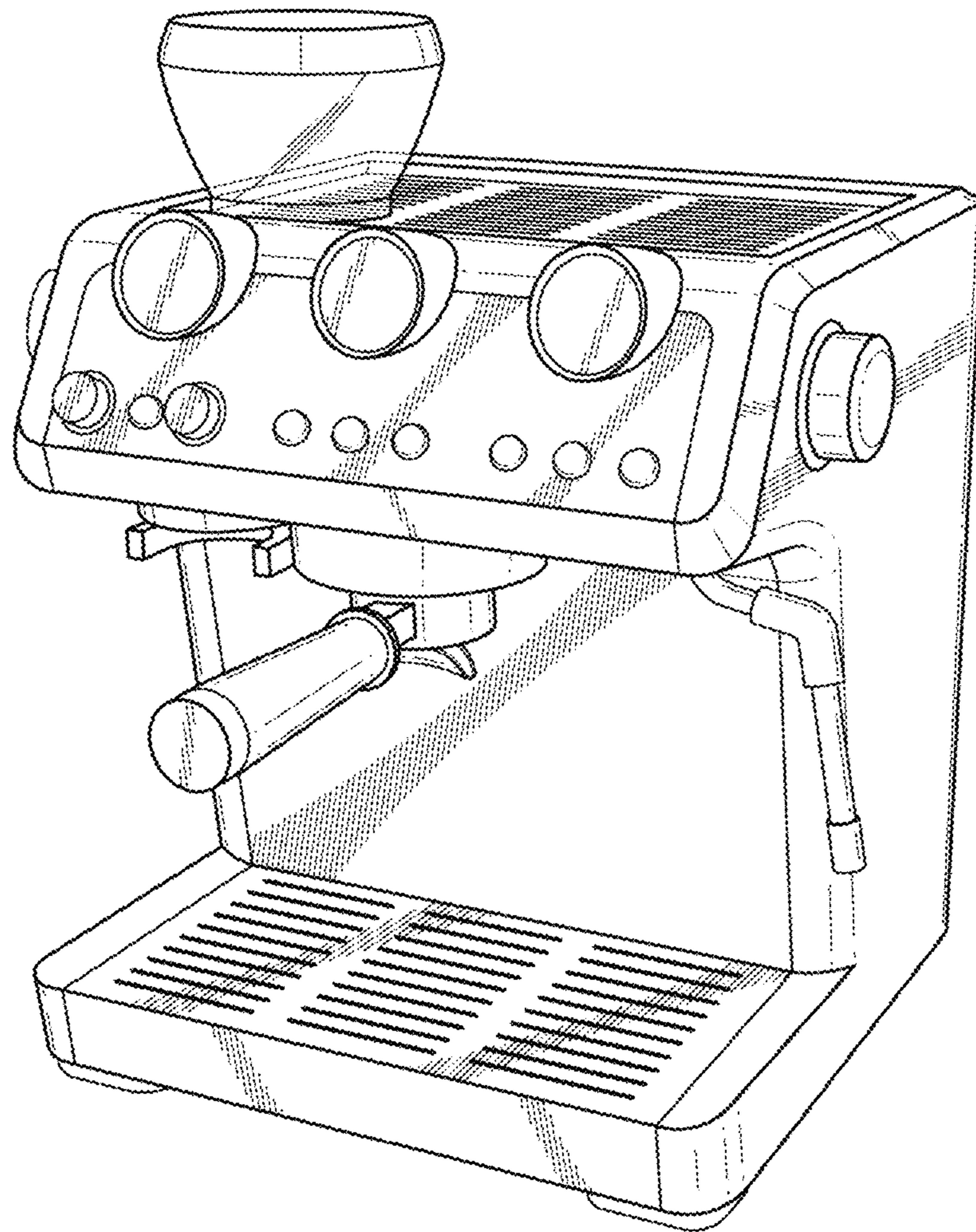


FIG. 1

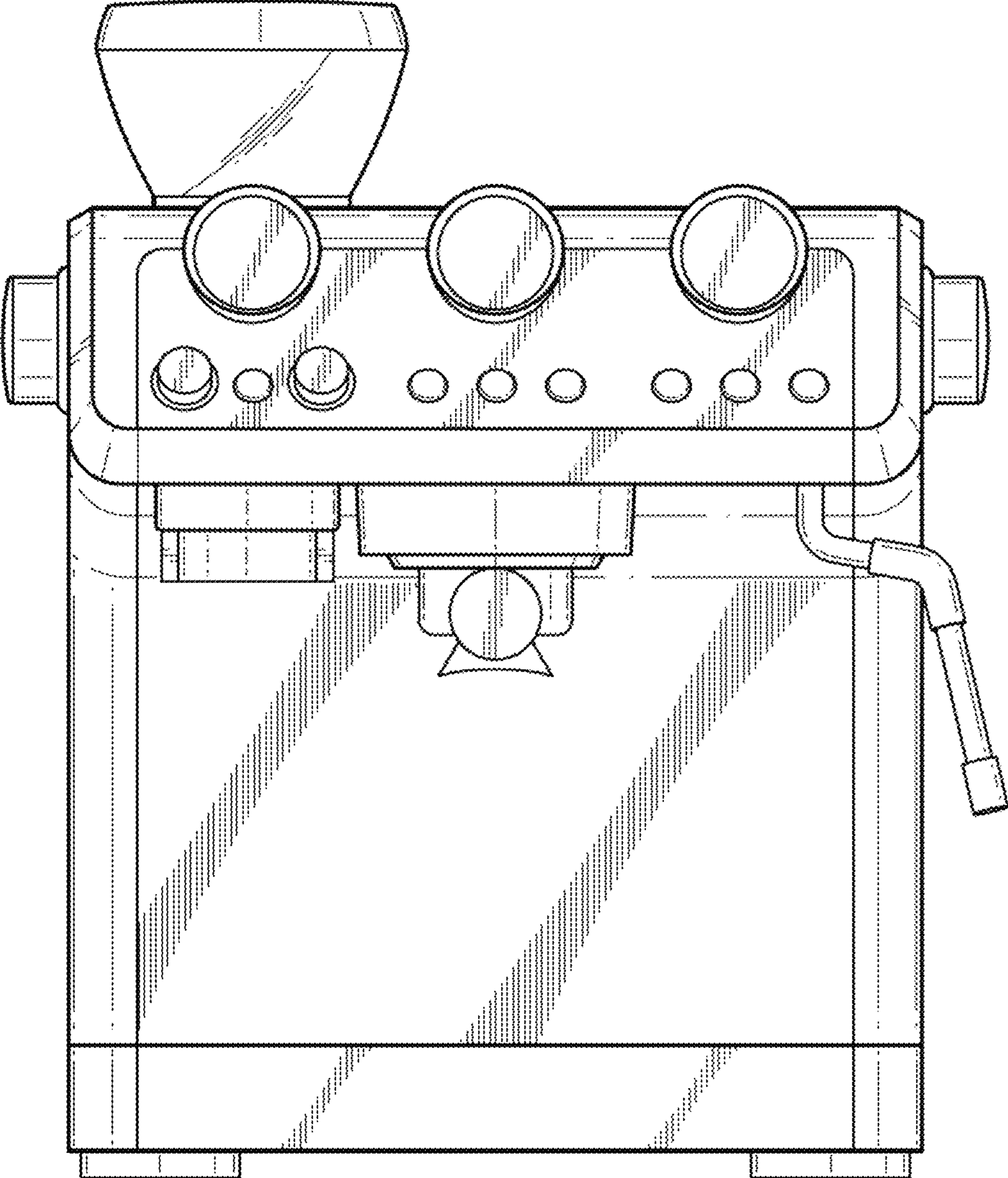


FIG. 2

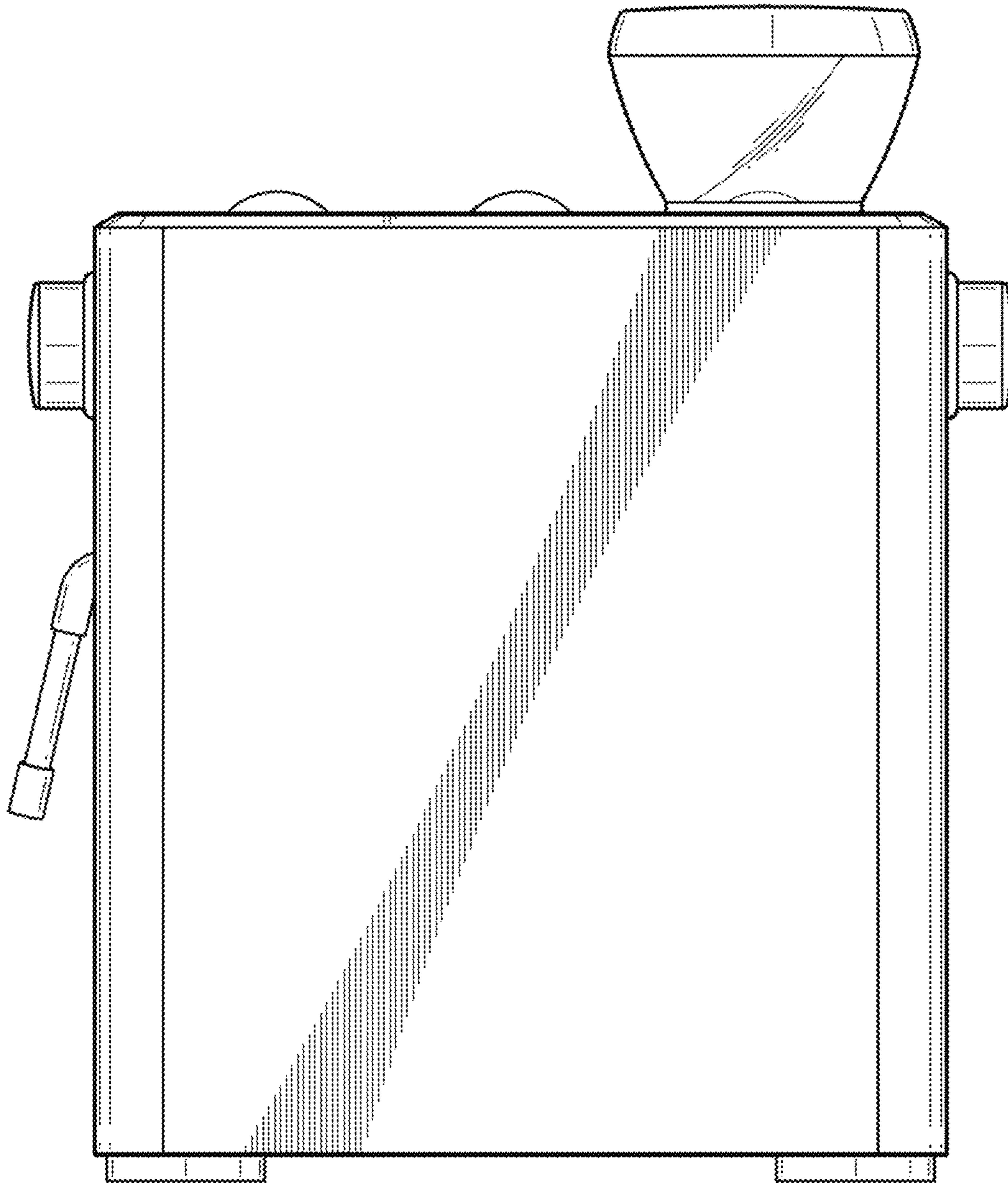


FIG. 3

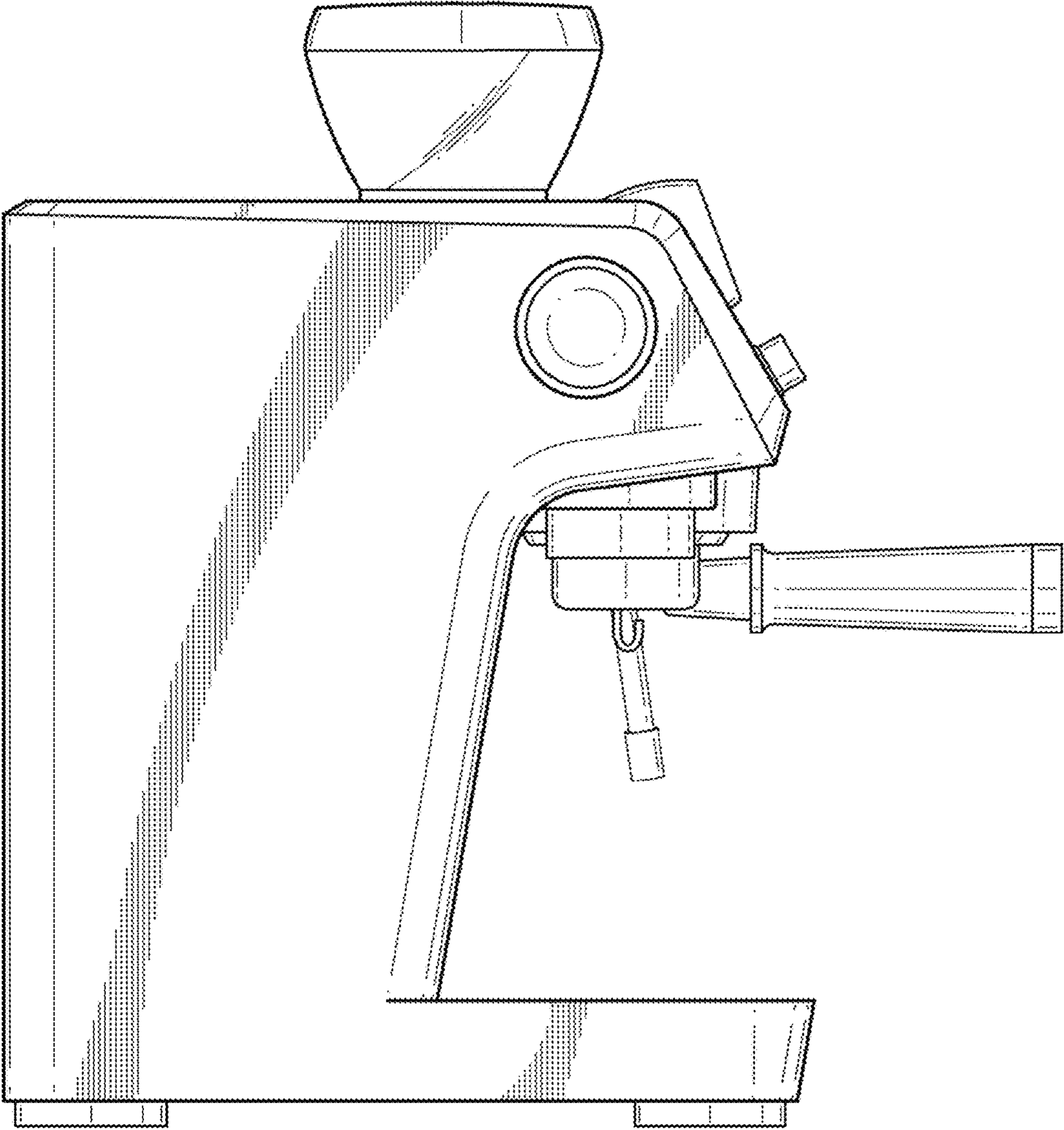


FIG. 4

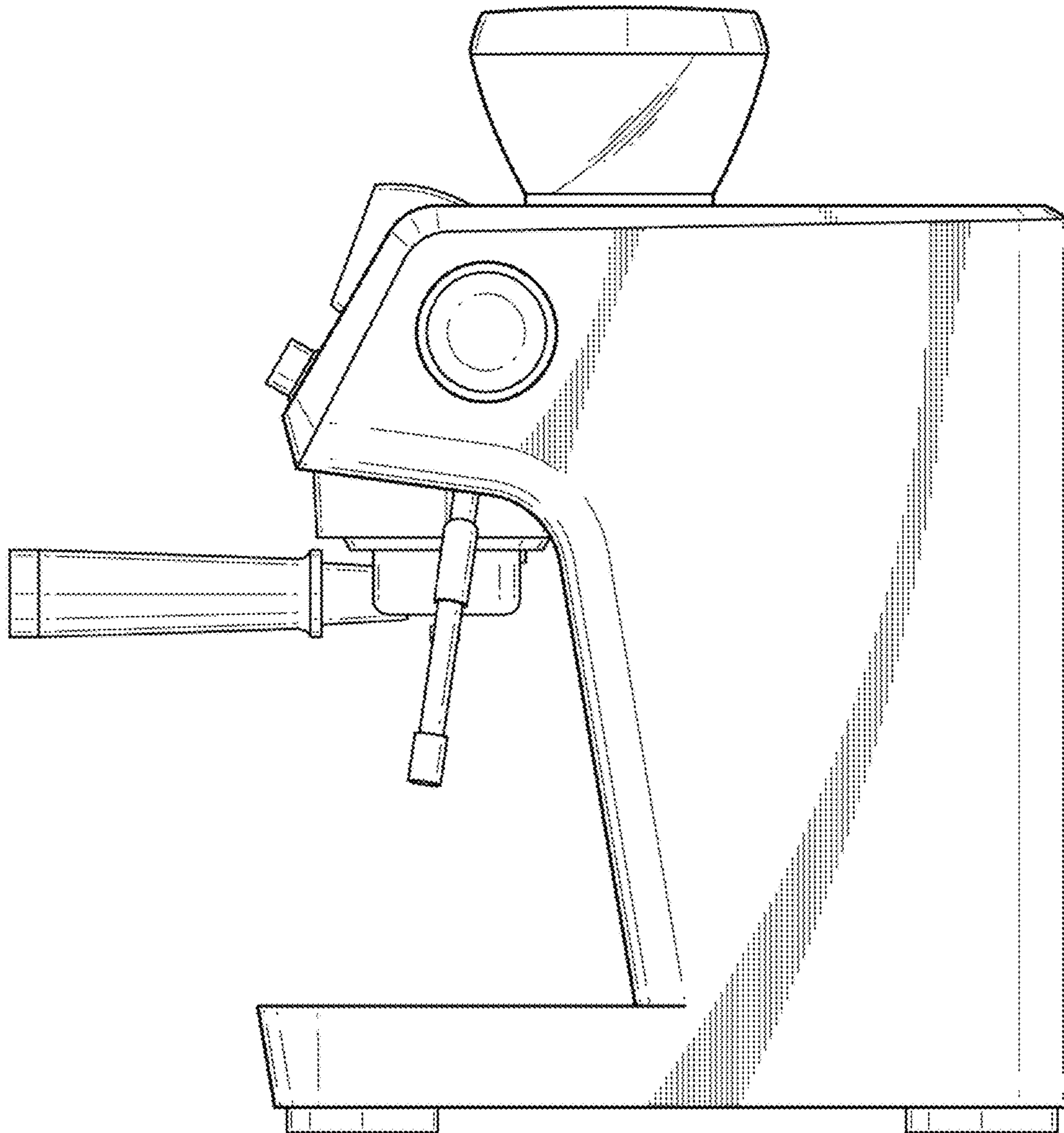


FIG. 5

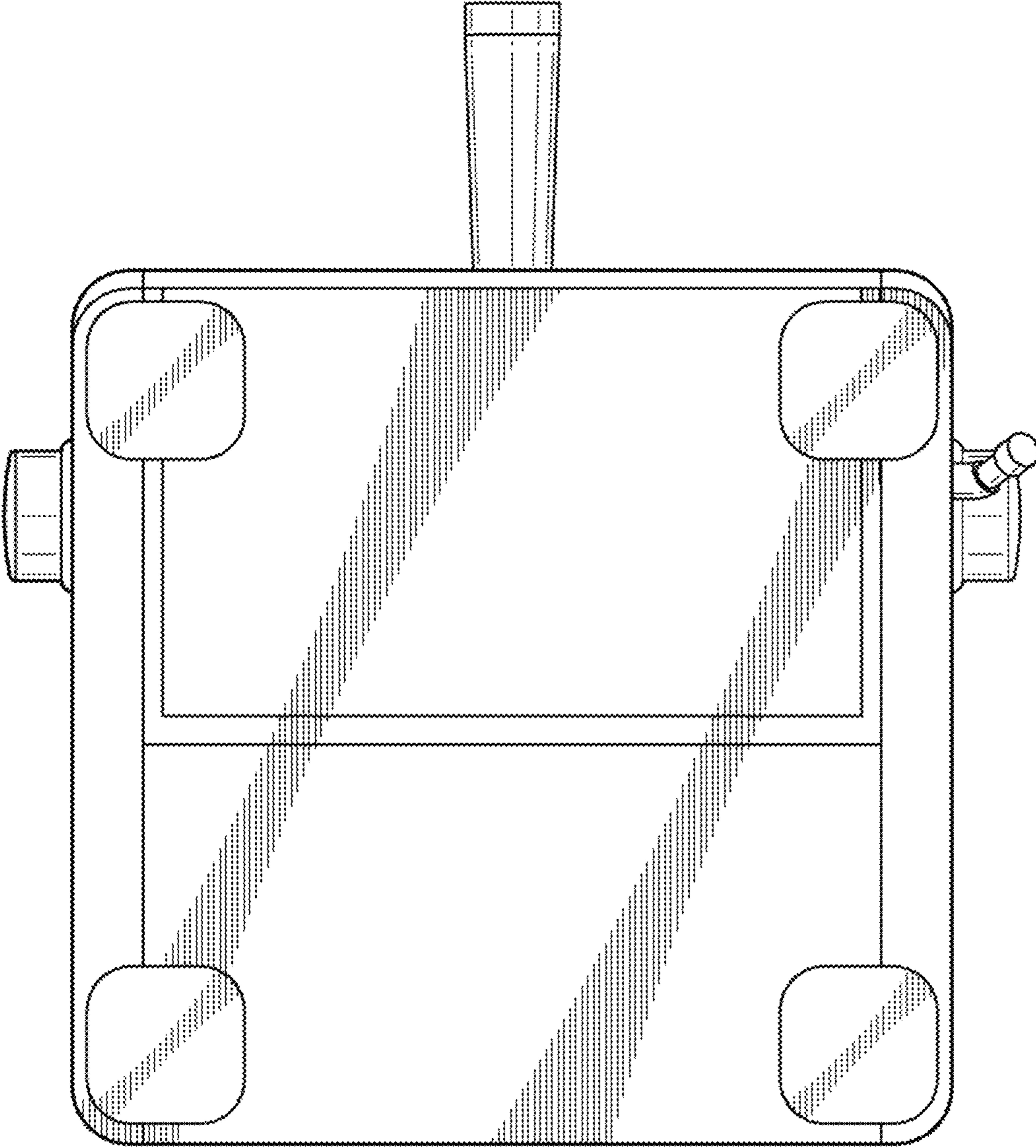


FIG. 6

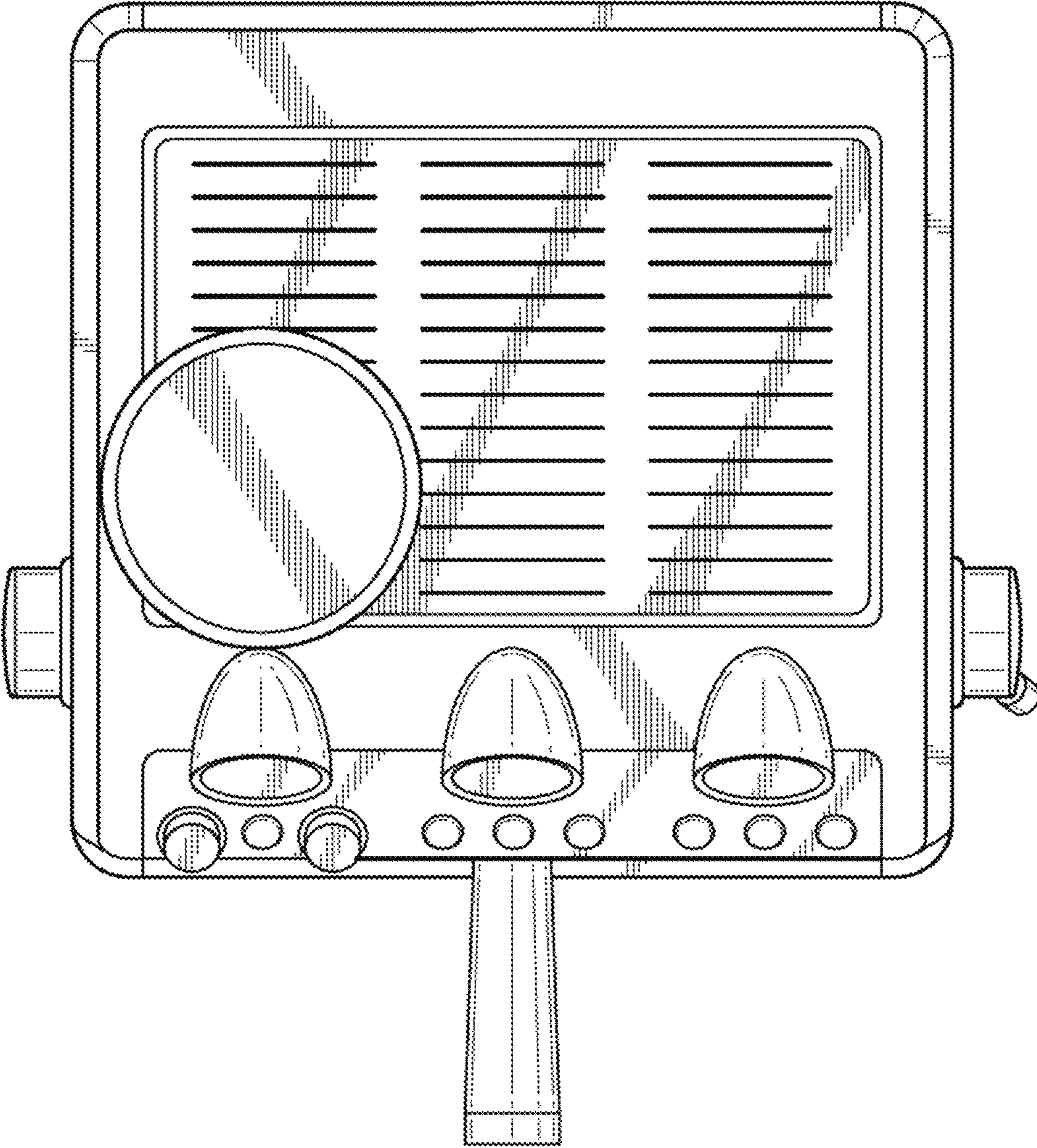


FIG. 7