



US00D805340S

(12) **United States Design Patent** (10) **Patent No.:** **US D805,340 S**  
**Chinda et al.** (45) **Date of Patent:** **\*\* Dec. 19, 2017**

(54) **DISPENSER**

(56) **References Cited**

- (71) Applicant: **Wine Plum, Inc.**, Dania Beach, FL  
(US)
- (72) Inventors: **Raul E. Chinda**, Fort Lauderdale, FL  
(US); **Derek Bennion**, Atlanta, GA  
(US)
- (73) Assignee: **Wine Plum, Inc.**, Dania Beach, FL  
(US)
- (\*\*) Term: **15 Years**
- (21) Appl. No.: **29/569,387**
- (22) Filed: **Jun. 27, 2016**

U.S. PATENT DOCUMENTS

D292,402 S *	10/1987	Saeki .....	D14/126
D555,415 S *	11/2007	Lin .....	D7/306
D597,605 S *	8/2009	Davis .....	D20/1
D601,847 S *	10/2009	Gammack .....	D7/306
D611,753 S *	3/2010	Gammack .....	D7/306
D713,666 S *	9/2014	Van Baelen .....	D7/306
D717,091 S *	11/2014	Suzuki .....	D7/308
D727,674 S *	4/2015	Liu .....	D7/306
D731,840 S *	6/2015	Cha .....	D7/306
D732,330 S *	6/2015	Cha .....	D7/306
D736,552 S *	8/2015	Shen .....	D7/306
9,146,054 B2 *	9/2015	Moezidis .....	F25D 23/12
D747,414 S *	1/2016	Chen .....	D20/1
D753,947 S *	4/2016	Saadeh .....	D7/306
D759,757 S *	6/2016	Chen .....	D20/1
D772,634 S *	11/2016	Kuboi .....	D7/307

\* cited by examiner

*Primary Examiner* — Marianne Pandozzi  
 (74) *Attorney, Agent, or Firm* — Chamberlain Hdrlicka

(57) **CLAIM**

The ornamental design for a dispenser, as shown and described.

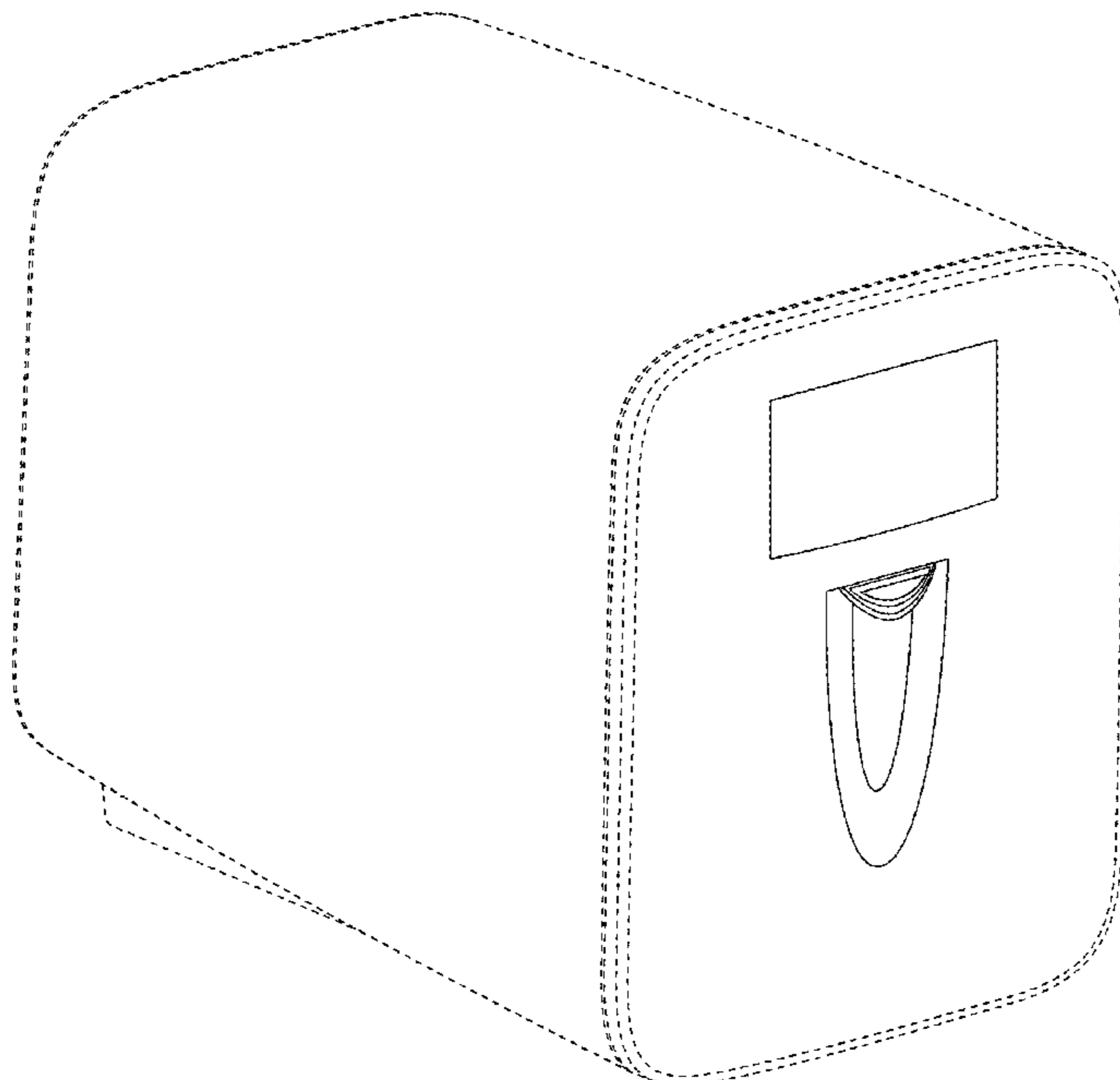
**DESCRIPTION**

FIG. 1 is a perspective view of a dispenser showing our new design;  
 FIG. 2 is a front view thereof;  
 FIG. 3 is a rear view thereof;  
 FIG. 4 is a side view thereof;  
 FIG. 5 is a top plan view thereof; and,  
 FIG. 6 is a bottom plan view thereof.  
 The broken lines depict unclaimed portions of the dispenser and form no part of the claimed design.

**1 Claim, 6 Drawing Sheets**

**Related U.S. Application Data**

- (63) Continuation-in-part of application No. 29/549,966, filed on Dec. 29, 2015.
- (51) **LOC (10) Cl.** ..... **07-01**
- (52) **U.S. Cl.**  
USPC ..... **D7/306**
- (58) **Field of Classification Search**  
USPC ..... D7/305-311, 313; D15/82; 222/129.1, 222/146.6, 153.03; 99/295; D30/121, D30/132; D20/4, 1; D14/126  
CPC ..... A47J 31/44; A47J 31/4403; A47J 31/46; B67D 1/36; B67D 2210/0065; B67D 1/0864; B67D 1/0044; B67D 1/0032; F25D 31/002
- See application file for complete search history.



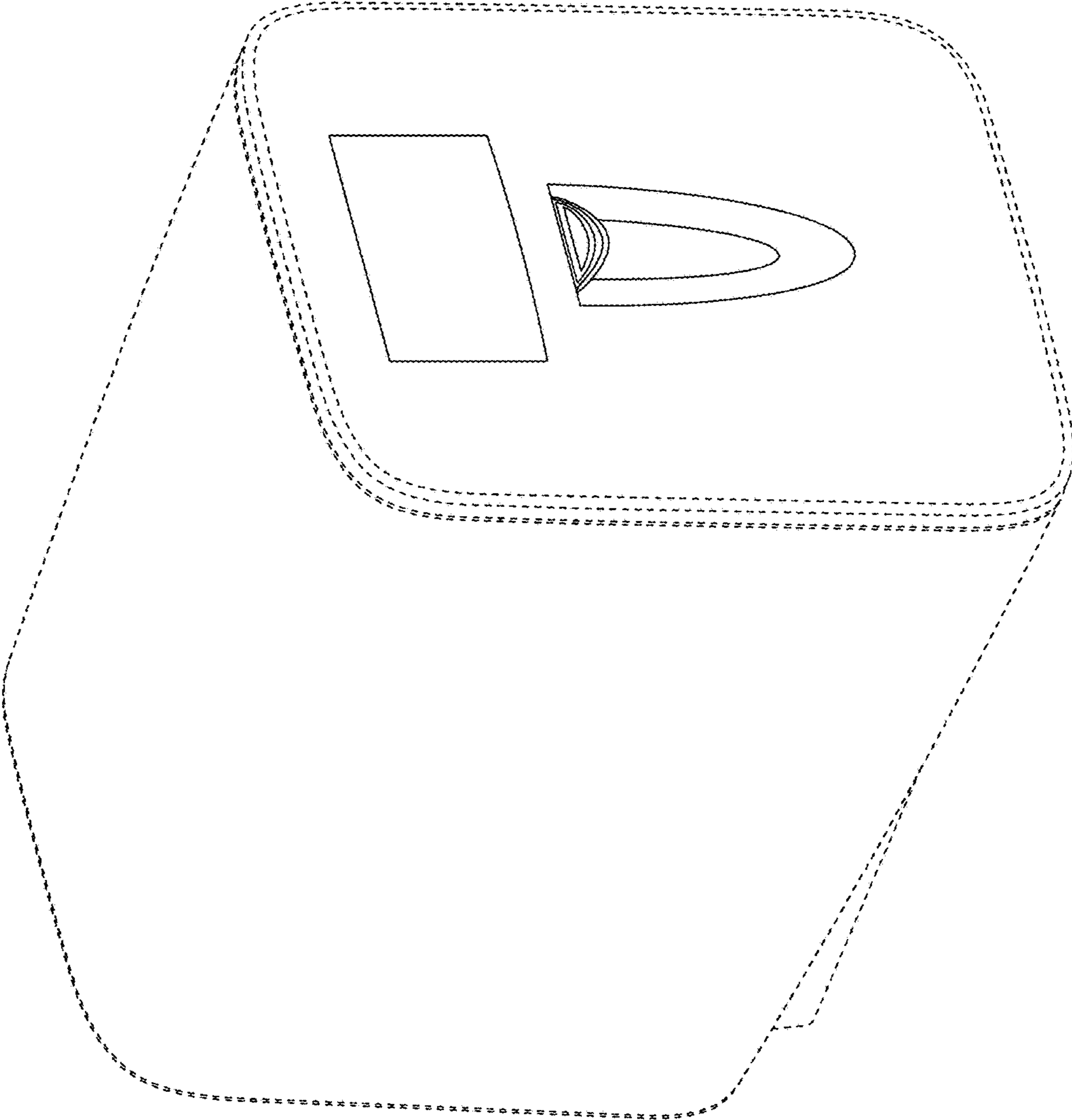


FIG. 1

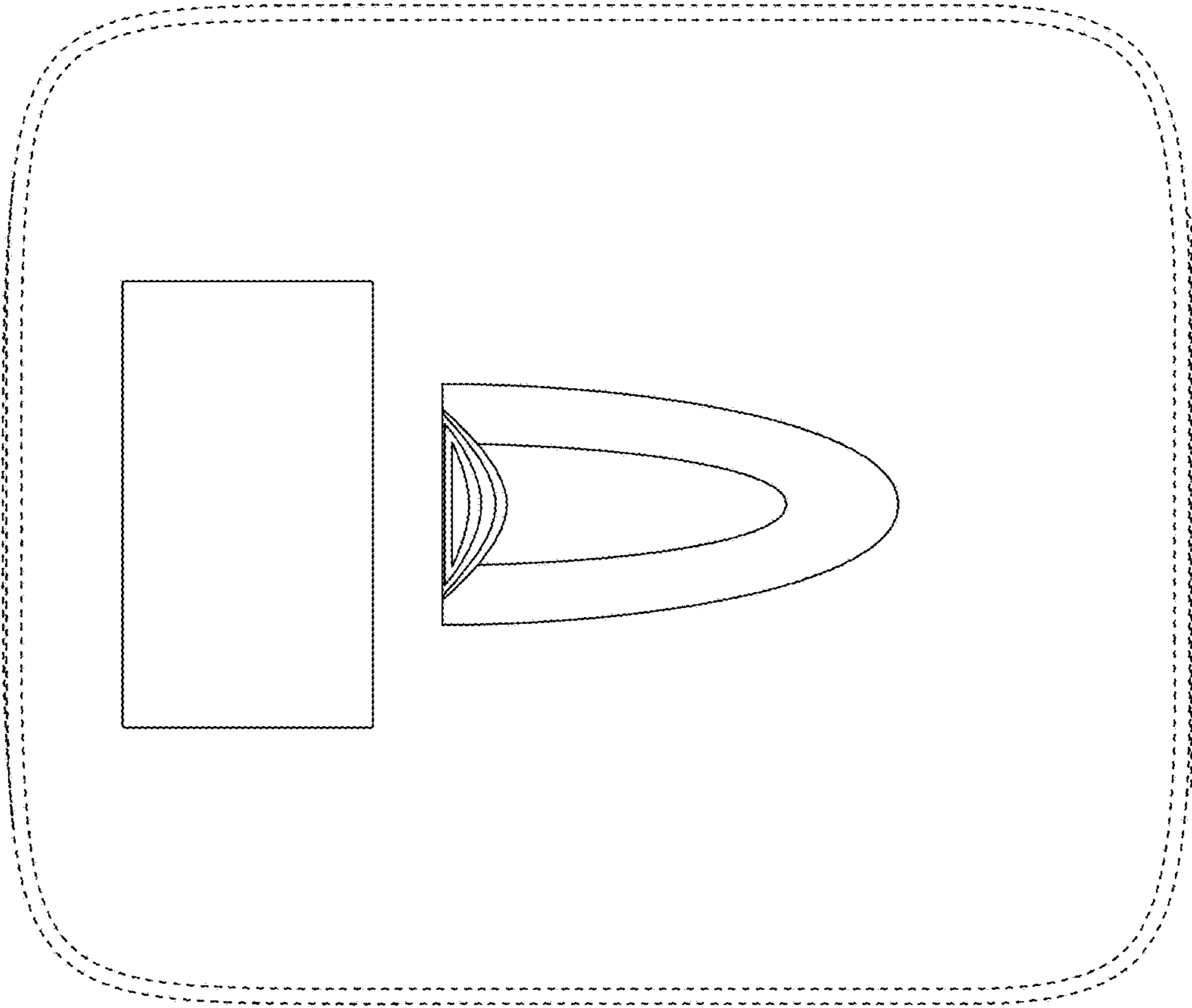


FIG. 2

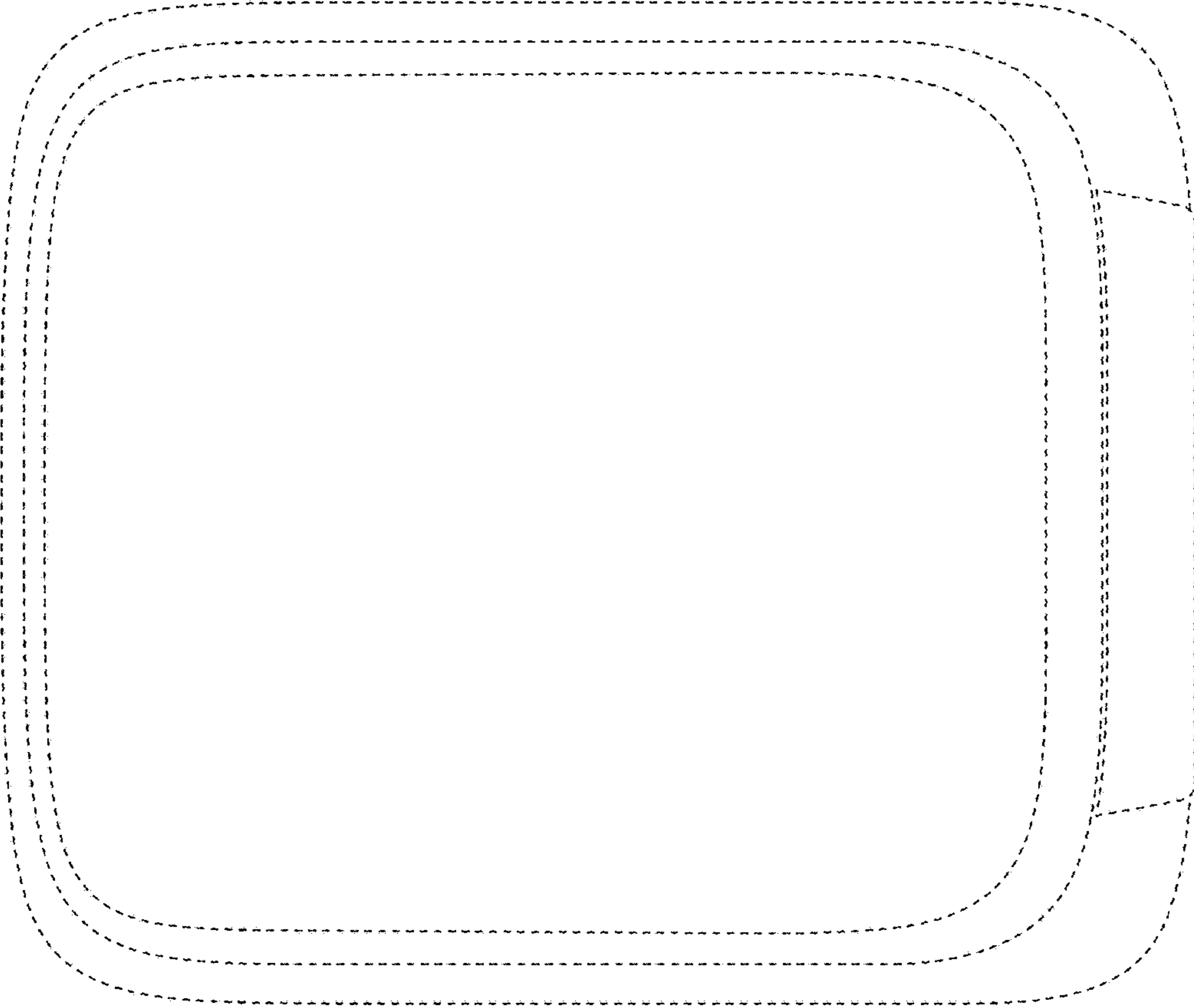


FIG. 3

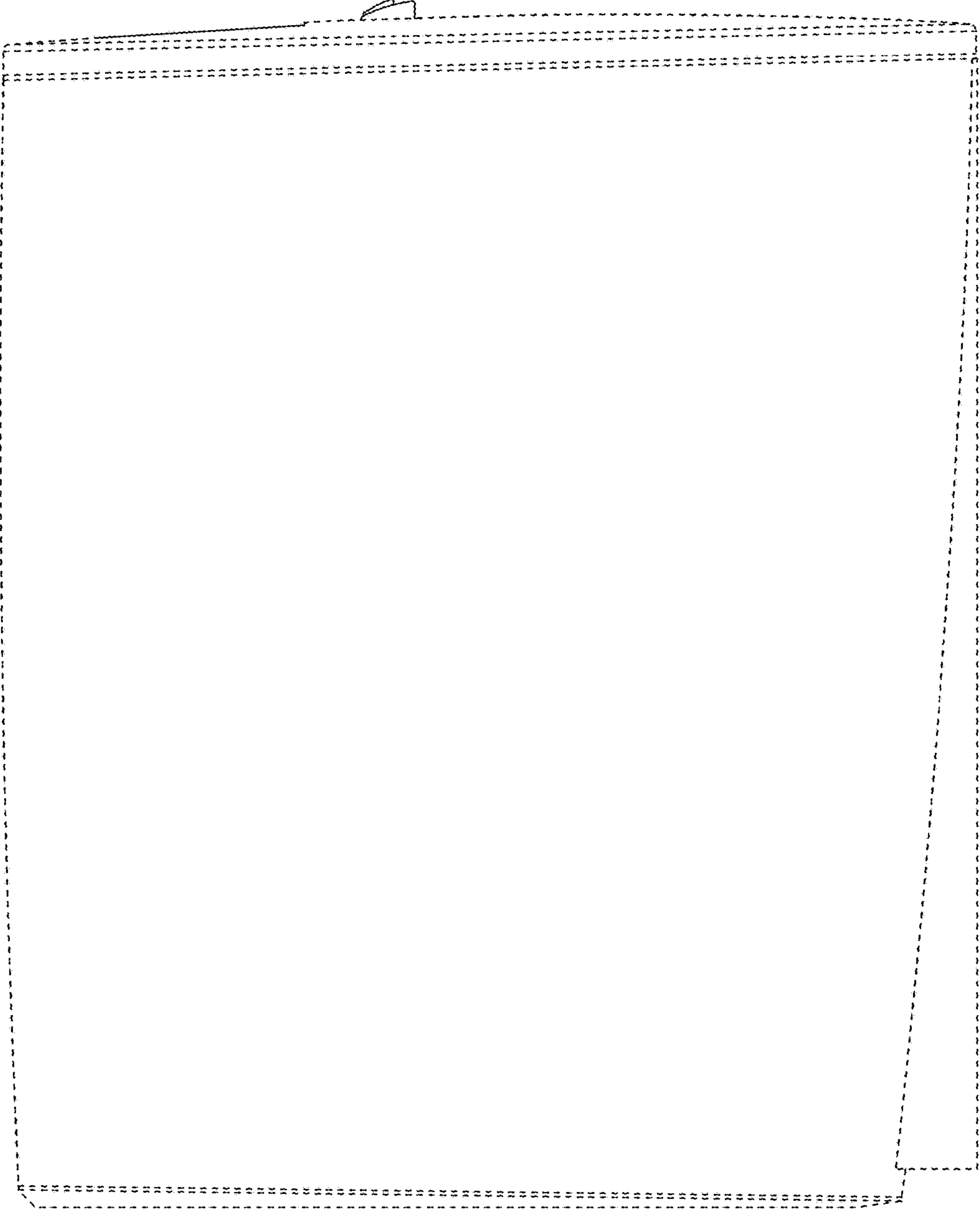


FIG. 4

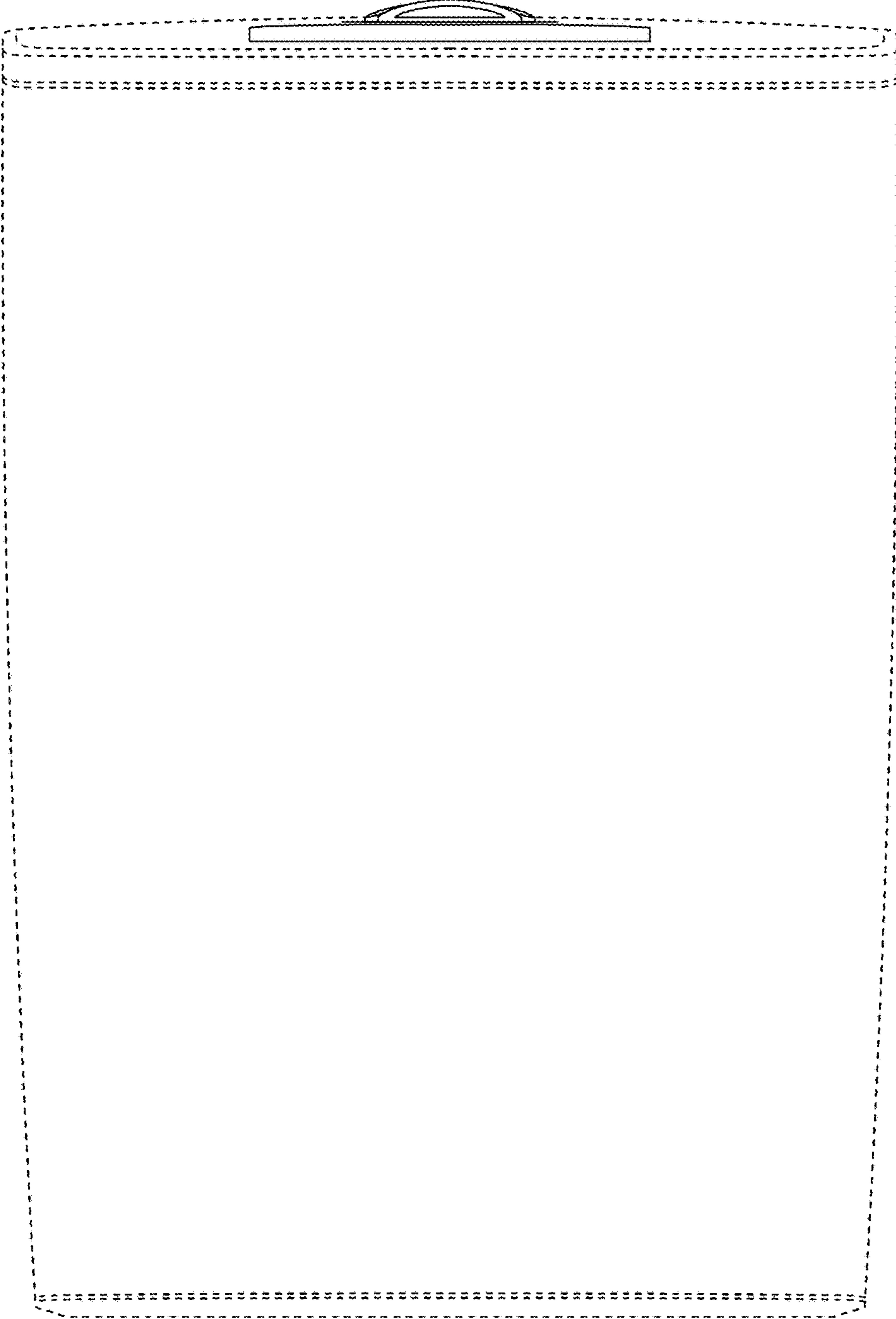


FIG. 5



FIG. 6