



US00D805337S

(12) **United States Design Patent** (10) **Patent No.:** **US D805,337 S**
Oliphant et al. (45) **Date of Patent:** **** Dec. 19, 2017**

(54) **BACK FOR A FOLDING CHAIR**
(71) Applicant: **Denovo Brands, LLC**, Bentonville, AR (US)
(72) Inventors: **John M. Oliphant**, Bentonville, AR (US); **Stephen C. Perry**, Bentonville, AR (US)
(73) Assignee: **Denovo Brands, LLC**, Bentonville, AR (US)
(**) Term: **15 Years**

Primary Examiner — Mimosa De
(74) *Attorney, Agent, or Firm* — Michael L. Leetzow, P.A.

(21) Appl. No.: **29/553,689**
(22) Filed: **Feb. 3, 2016**
(51) **LOC (10) Cl.** **06-01**
(52) **U.S. Cl.**
USPC **D6/716.4; D6/368**
(58) **Field of Classification Search**
USPC D6/334-336, 368, 373, 374, 379, 380, D6/716, 716.1, 716.2, 716.3, 716.4
CPC .. A47C 4/03; A47C 4/28; A47C 4/283; A47C 4/30; A47C 4/38; A47C 4/40; A47C 4/42; A47C 4/48; A47C 5/06; A47C 5/10
See application file for complete search history.

(57) **CLAIM**

The ornamental design for a back for a folding chair, as shown and described.

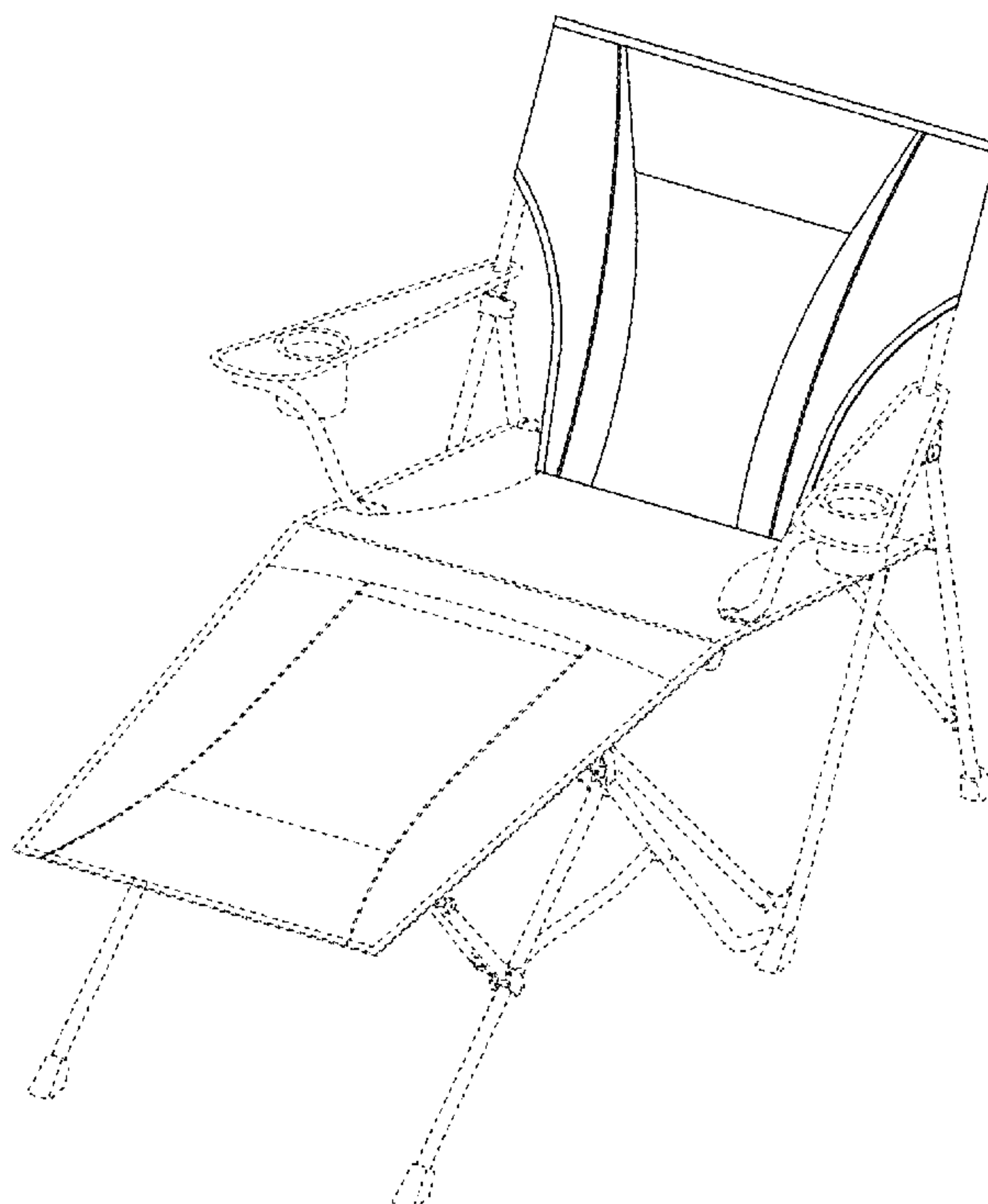
DESCRIPTION

FIG. 1 is a left side perspective view for a back for a folding chair showing our new design;
FIG. 2 is a front view of the back for a folding chair shown in FIG. 1;
FIG. 3 is a rear view of the back for a folding chair shown in FIG. 1;
FIG. 4 is a right side view of the back for a folding chair shown in FIG. 1;
FIG. 5 is a left side view of the back for a folding chair shown in FIG. 1;
FIG. 6 is a top view of the back for a folding chair shown in FIG. 1; and,
FIG. 7 is a bottom view of the back for a folding chair shown in FIG. 1.
The broken line illustrations in the drawing figures of the chair frame and seams in FIGS. 1-7 are for illustrative purposes only and form no part of the claimed design.

(56) **References Cited**
U.S. PATENT DOCUMENTS
D593,759 S * 6/2009 Oliphant A47C 4/286 D6/335
D691,821 S * 10/2013 Mercieca D6/368

* cited by examiner

1 Claim, 6 Drawing Sheets



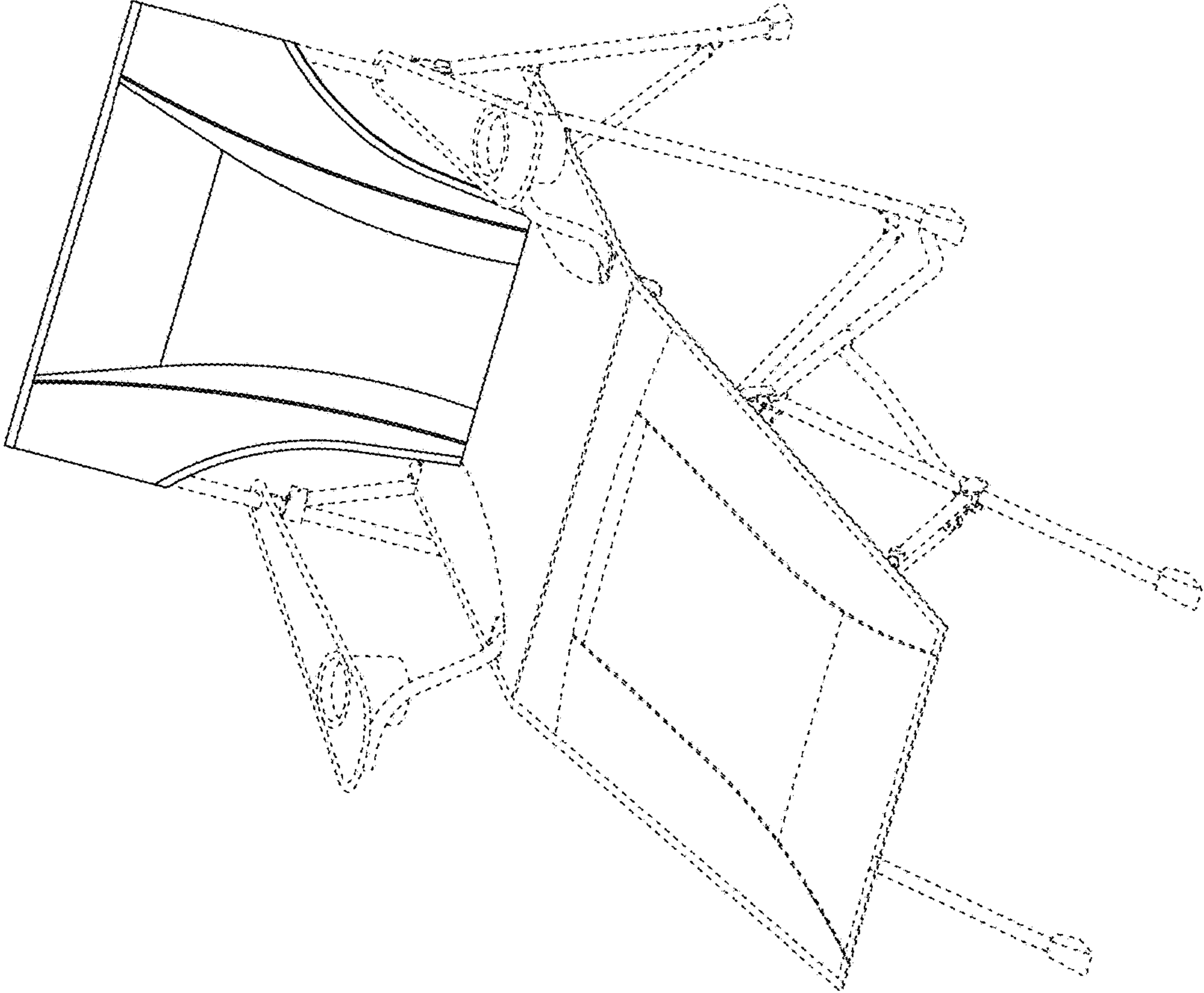


Fig. 1

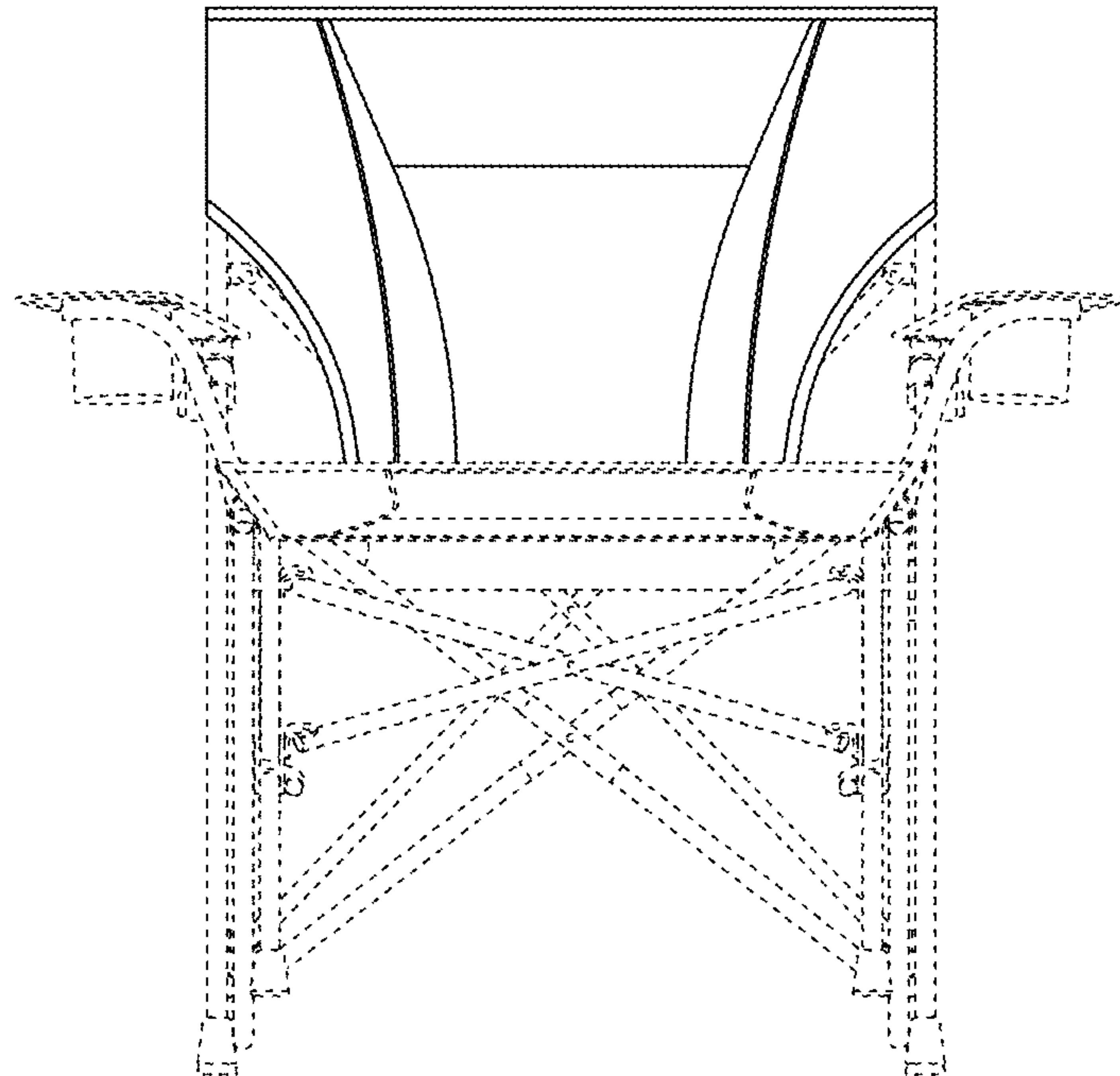


Fig. 2

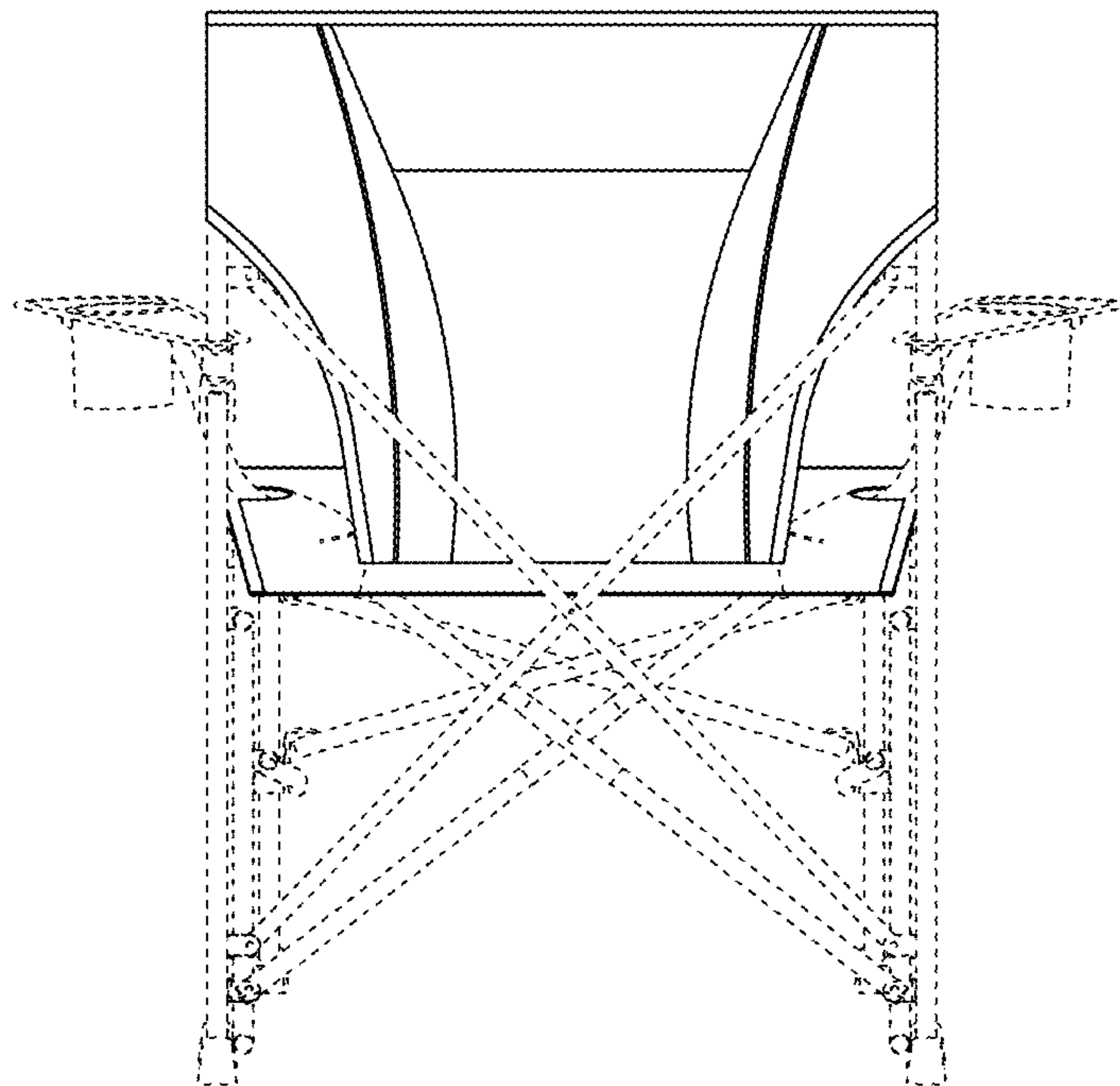


Fig. 3

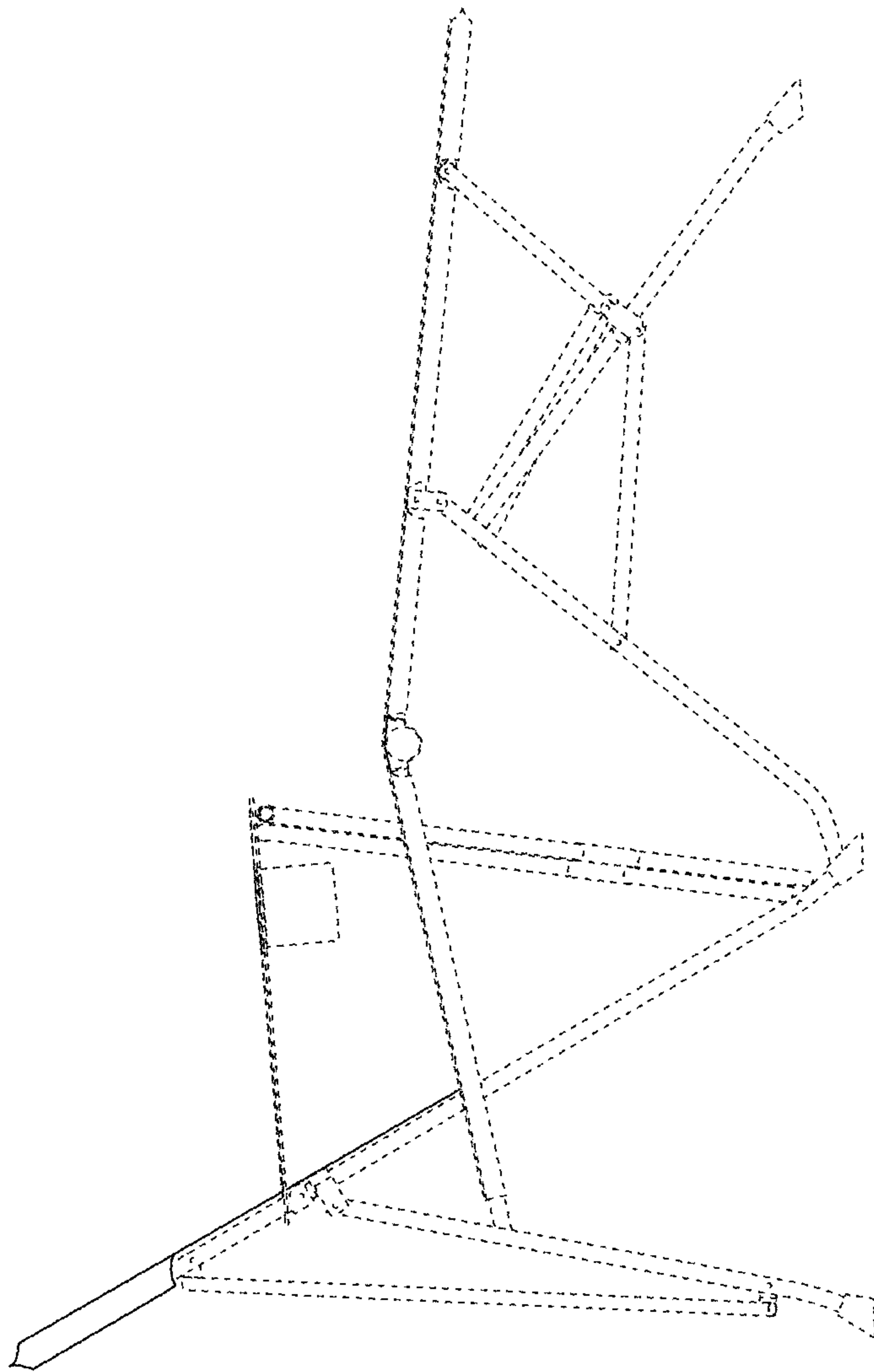


Fig. 4

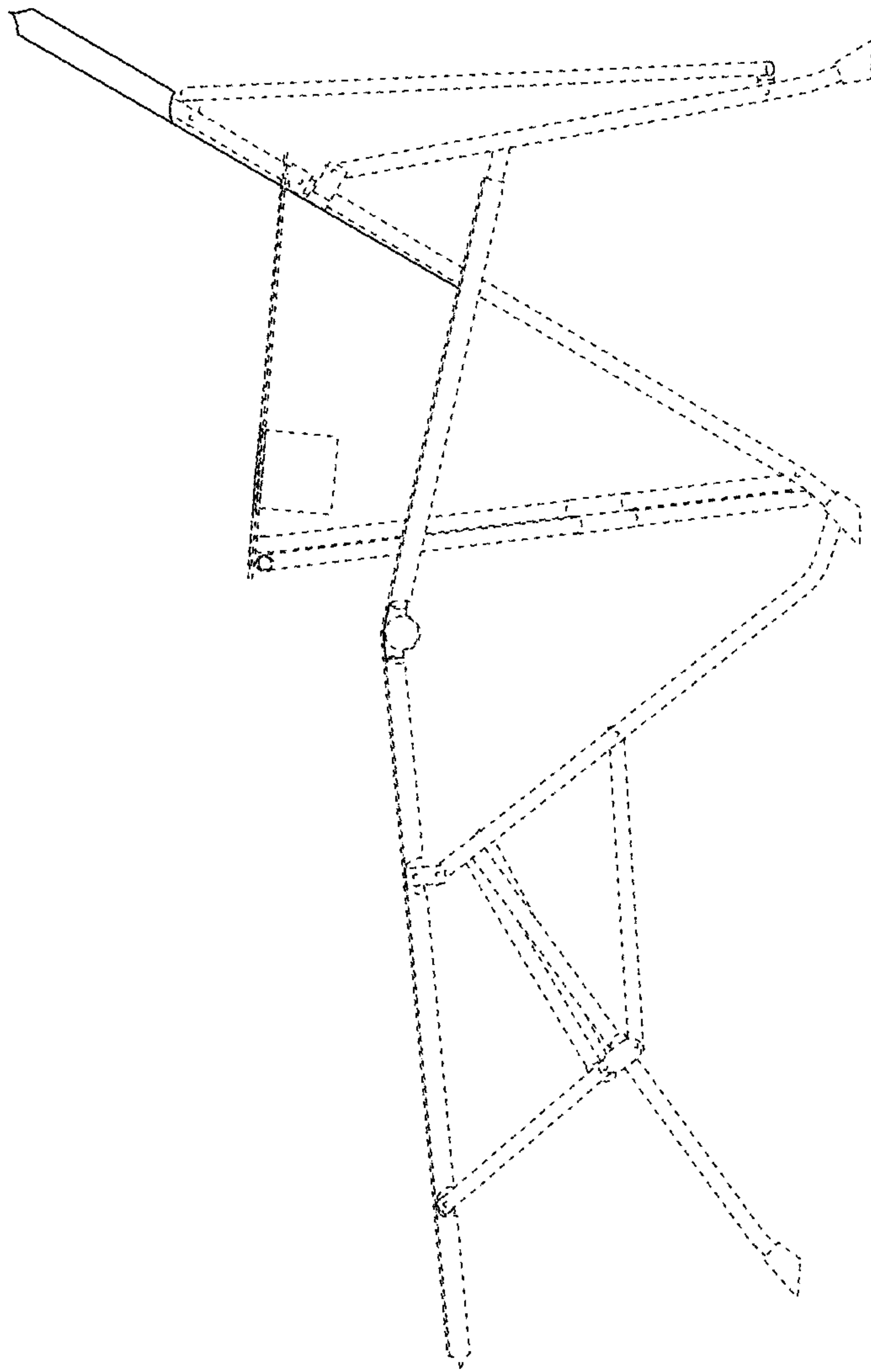


Fig. 5

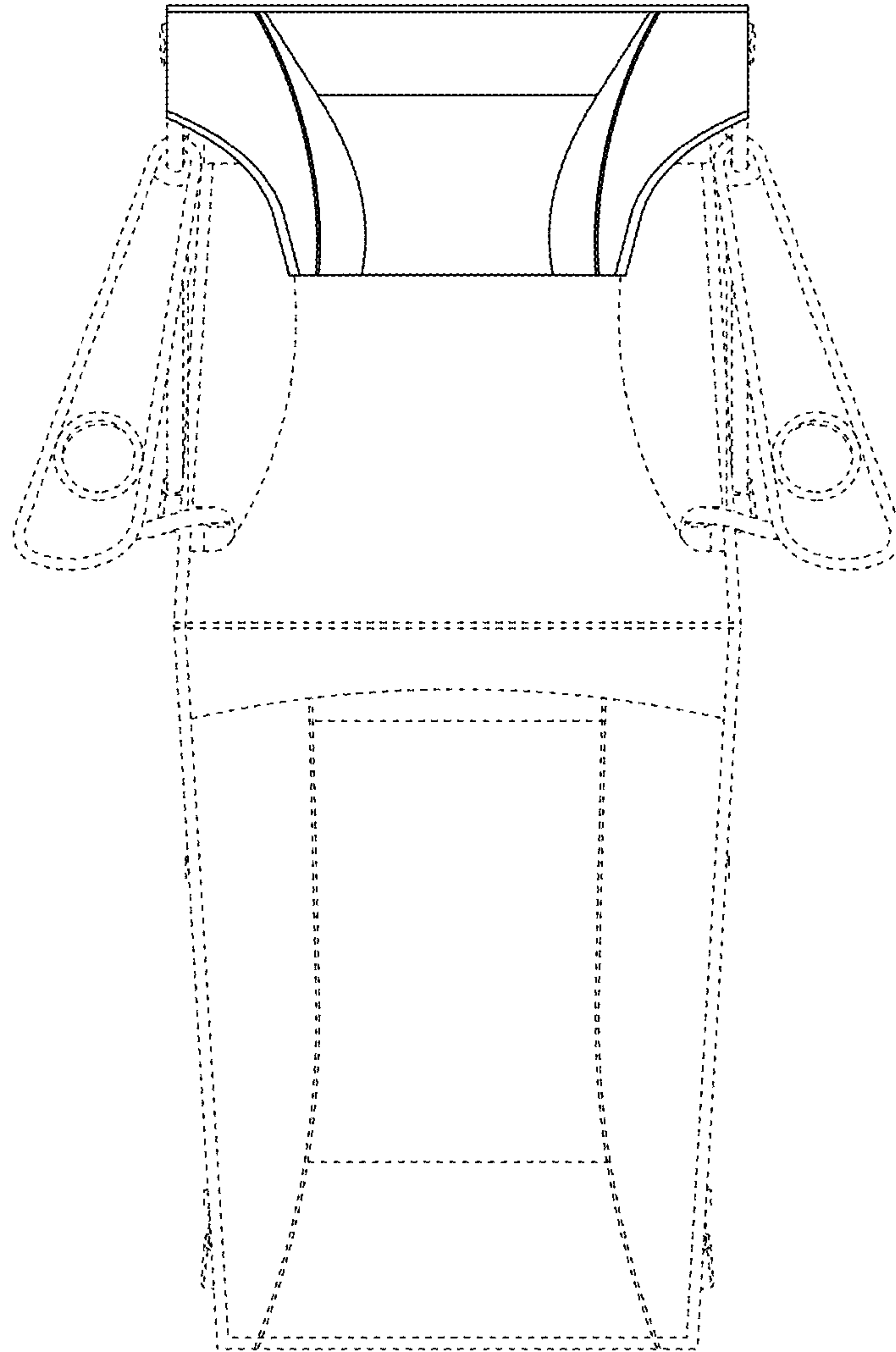


Fig. 6

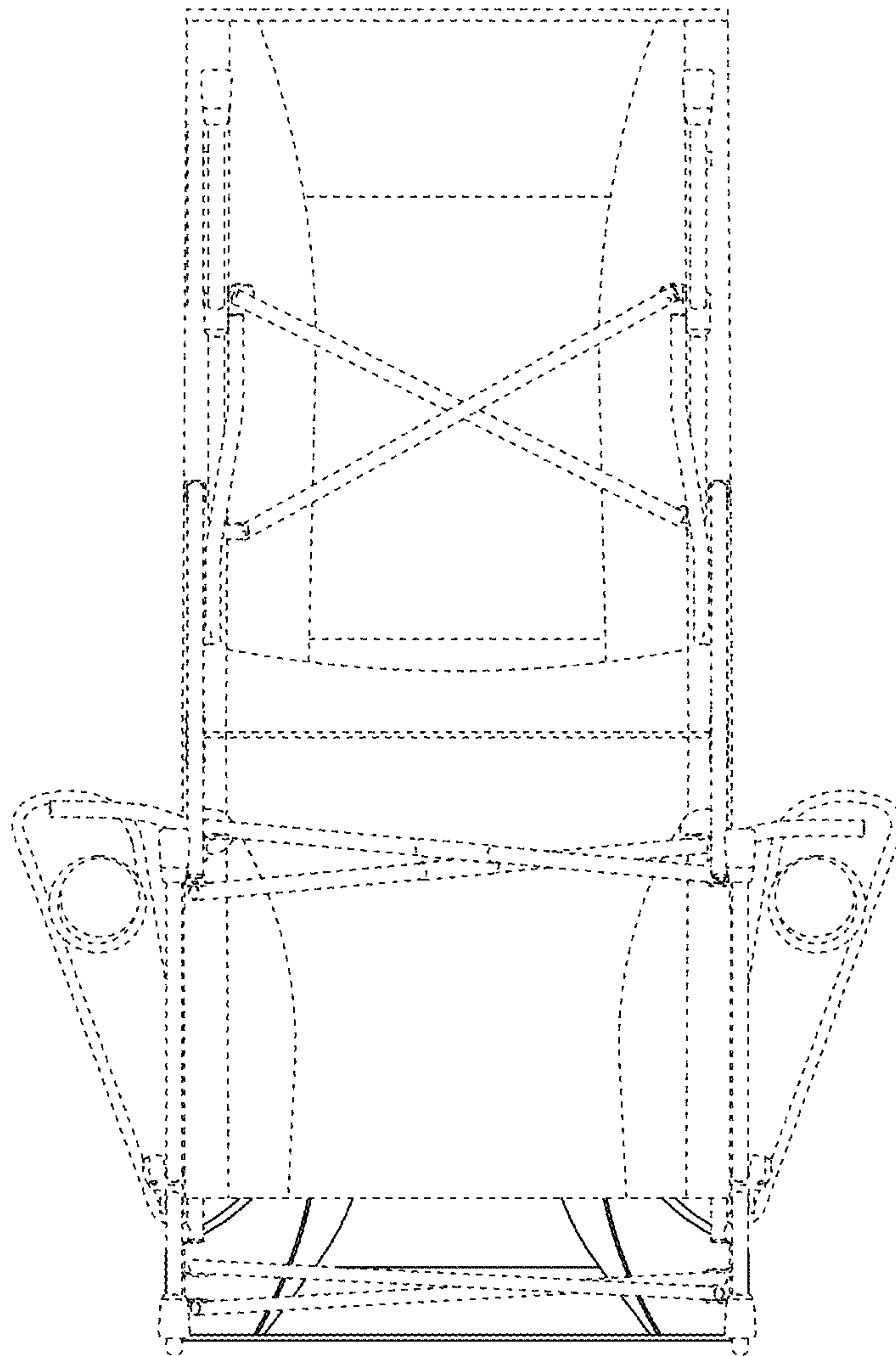


Fig. 7