



US00D805336S

(12) **United States Design Patent**  
**Guelfo**

(10) **Patent No.:** **US D805,336 S**

(45) **Date of Patent:** **\*\* Dec. 19, 2017**

(54) **CHAIR**

(71) Applicant: **Okamura Corporation**, Yokohama-shi,  
Kanagawa (JP)

(72) Inventor: **Nicola Guelfo**, Moncalieri Torino (IT)

(73) Assignee: **Okamura Corporation**, Yokohama-shi,  
Kanagawa (JP)

(\*\*) Term: **15 Years**

(21) Appl. No.: **29/586,502**

(22) Filed: **Dec. 5, 2016**

(30) **Foreign Application Priority Data**

Jun. 6, 2016 (JP) ..... 2016-011968

(51) **LOC (10) Cl.** ..... **06-01**

(52) **U.S. Cl.**  
USPC ..... **D6/716.1; D6/366**

(58) **Field of Classification Search**  
USPC ..... D6/334-336, 364, 365, 366, 379, 380,  
D6/716, 716.1, 716.2, 716.4  
CPC ..... A47C 7/02; A47C 7/022; A47C 7/282;  
A47C 7/24; A47C 7/18; A47C 7/004  
See application file for complete search history.

(56) **References Cited**

**U.S. PATENT DOCUMENTS**

D463,926 S \* 10/2002 Hsieh ..... D6/716.1  
D471,024 S \* 3/2003 Chadwick ..... D6/366

D487,359 S \* 3/2004 Giugiaro ..... D6/366  
D489,542 S \* 5/2004 Giugiaro ..... D6/366  
D568,624 S \* 5/2008 Wen ..... D6/366  
D579,695 S \* 11/2008 Wu ..... D6/366  
D585,205 S \* 1/2009 Wen ..... D6/366  
D658,904 S \* 5/2012 Chen ..... D6/366  
D673,796 S \* 1/2013 Su ..... D6/716.1

\* cited by examiner

*Primary Examiner* — Mimoso De

(74) *Attorney, Agent, or Firm* — Sughrue Mion, PLLC

(57) **CLAIM**

The ornamental design for a chair, as shown and described.

**DESCRIPTION**

FIG. 1 is a front perspective view of a chair.  
FIG. 2 is a rear perspective view thereof.  
FIG. 3 is a front elevation view thereof.  
FIG. 4 is a rear elevation view thereof.  
FIG. 5 is a right side elevation view thereof.  
FIG. 6 is a left side elevation view thereof.  
FIG. 7 is a top plan view thereof; and,  
FIG. 8 is a bottom plan view thereof.  
The broken lines shown in the drawings illustrate portions of the chair that form no part of the claimed design. The backrest sheet and the seat of the chair are made of mesh and the mesh pattern of the backrest sheet forms no part of the claimed design.

**1 Claim, 8 Drawing Sheets**

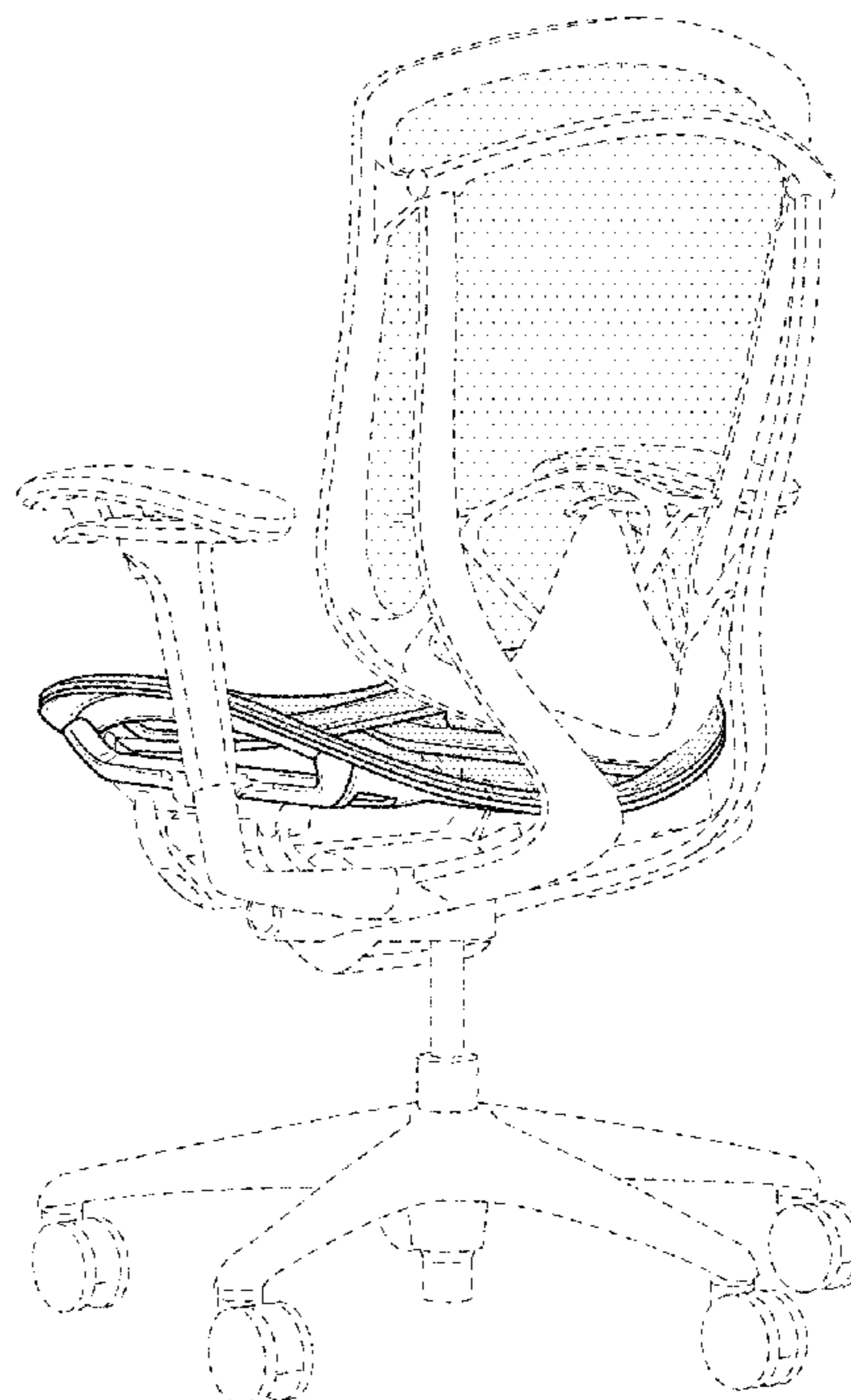
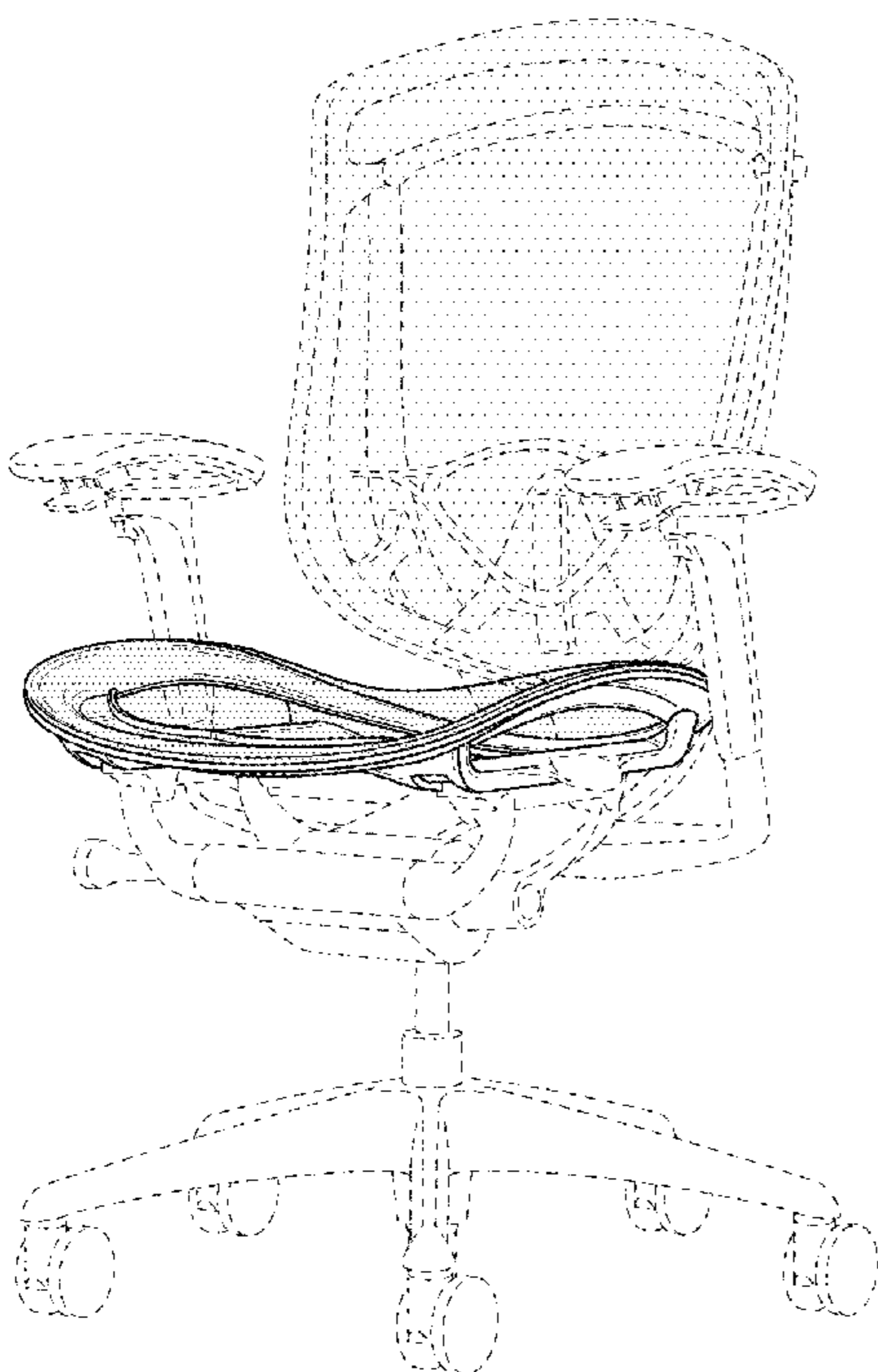


FIG. 1

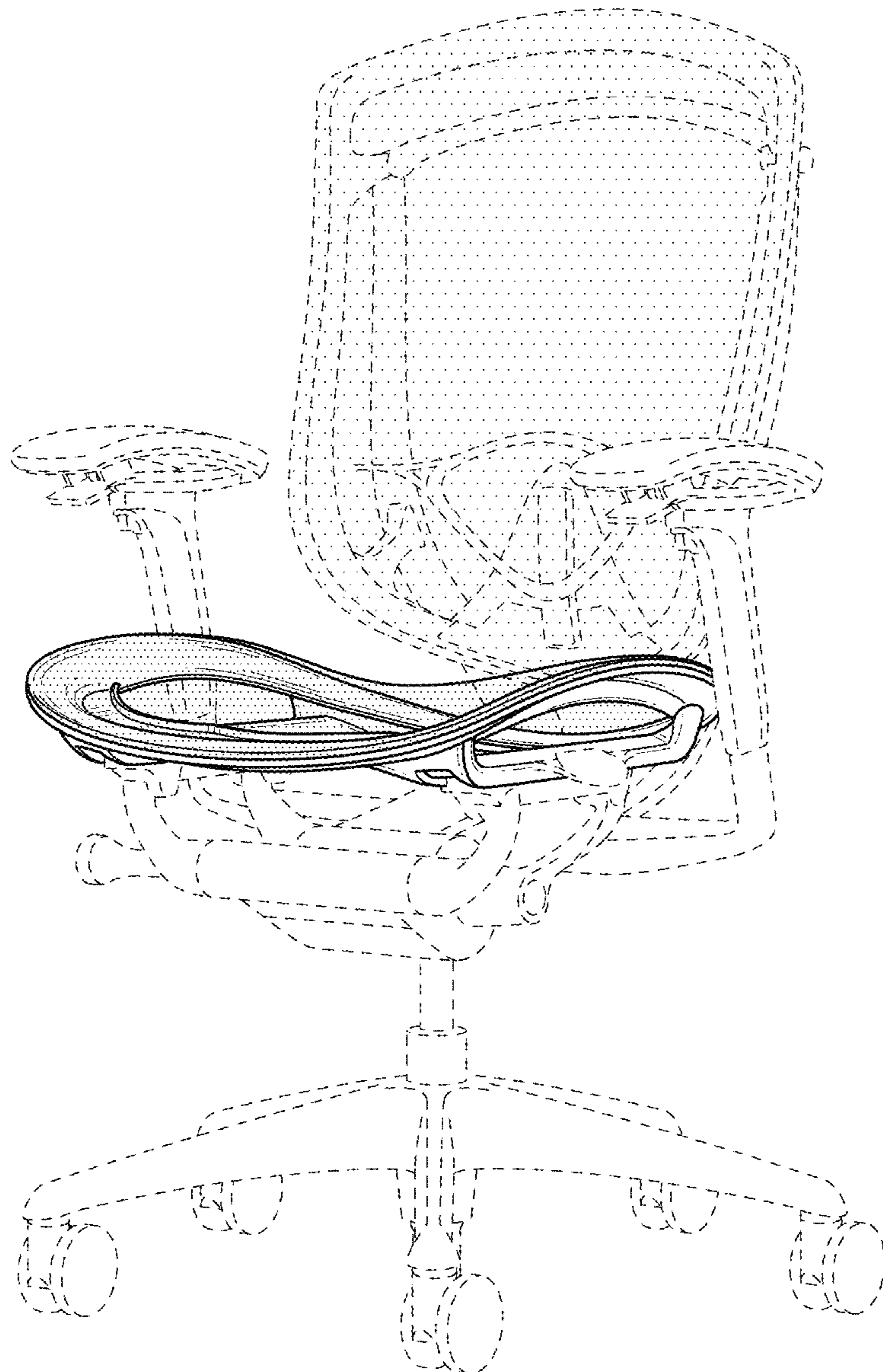


FIG. 2

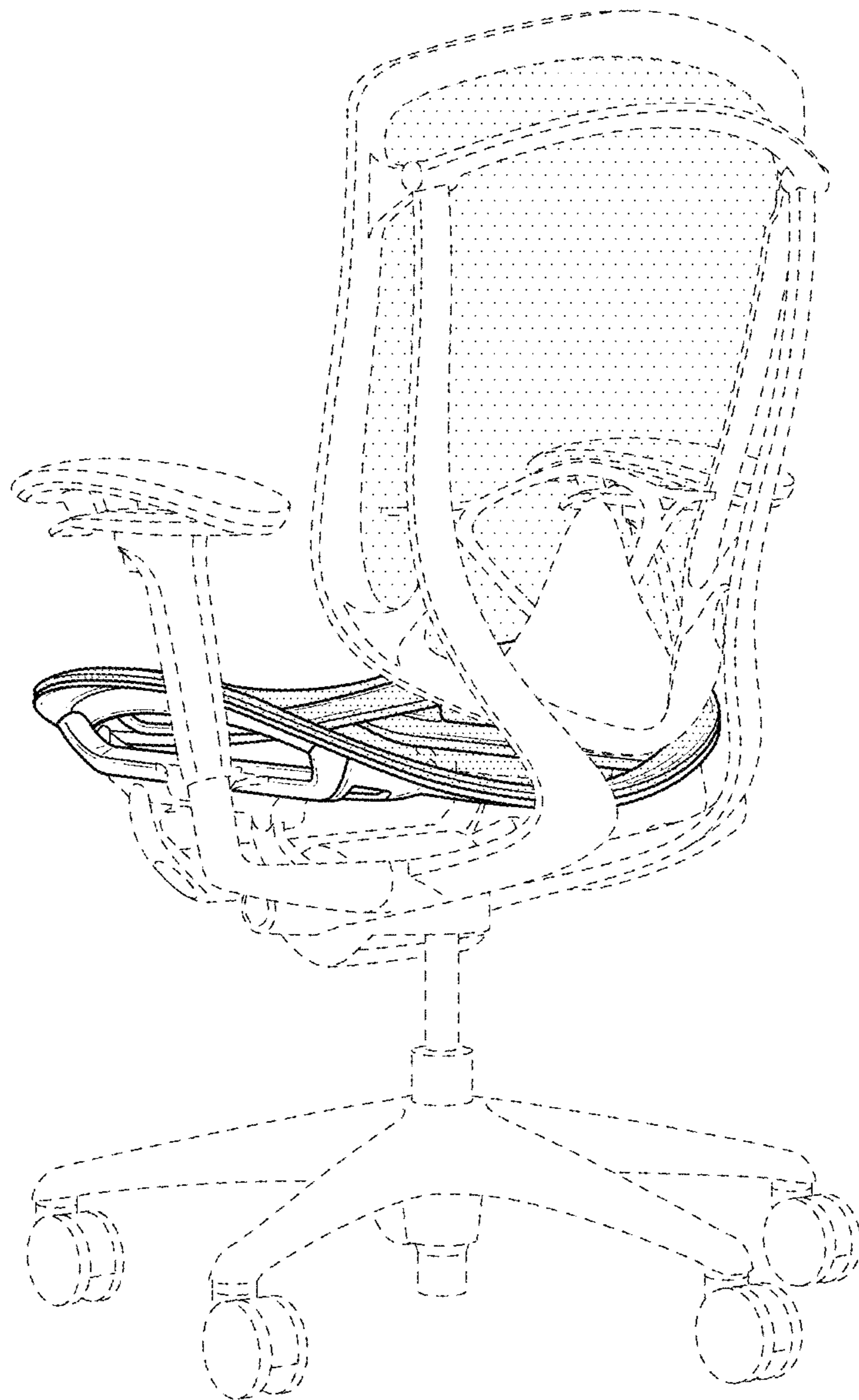


FIG. 3

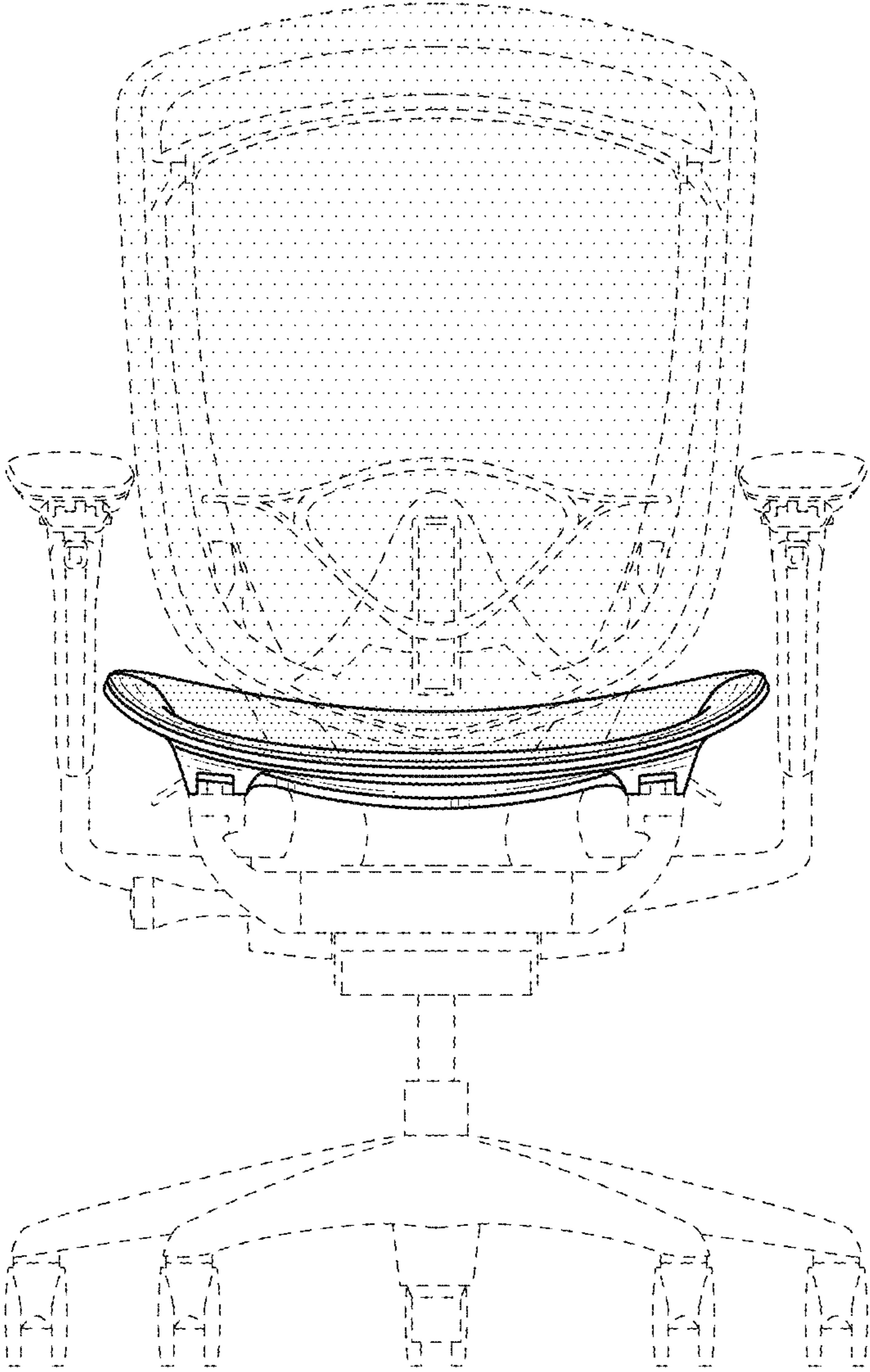


FIG. 4

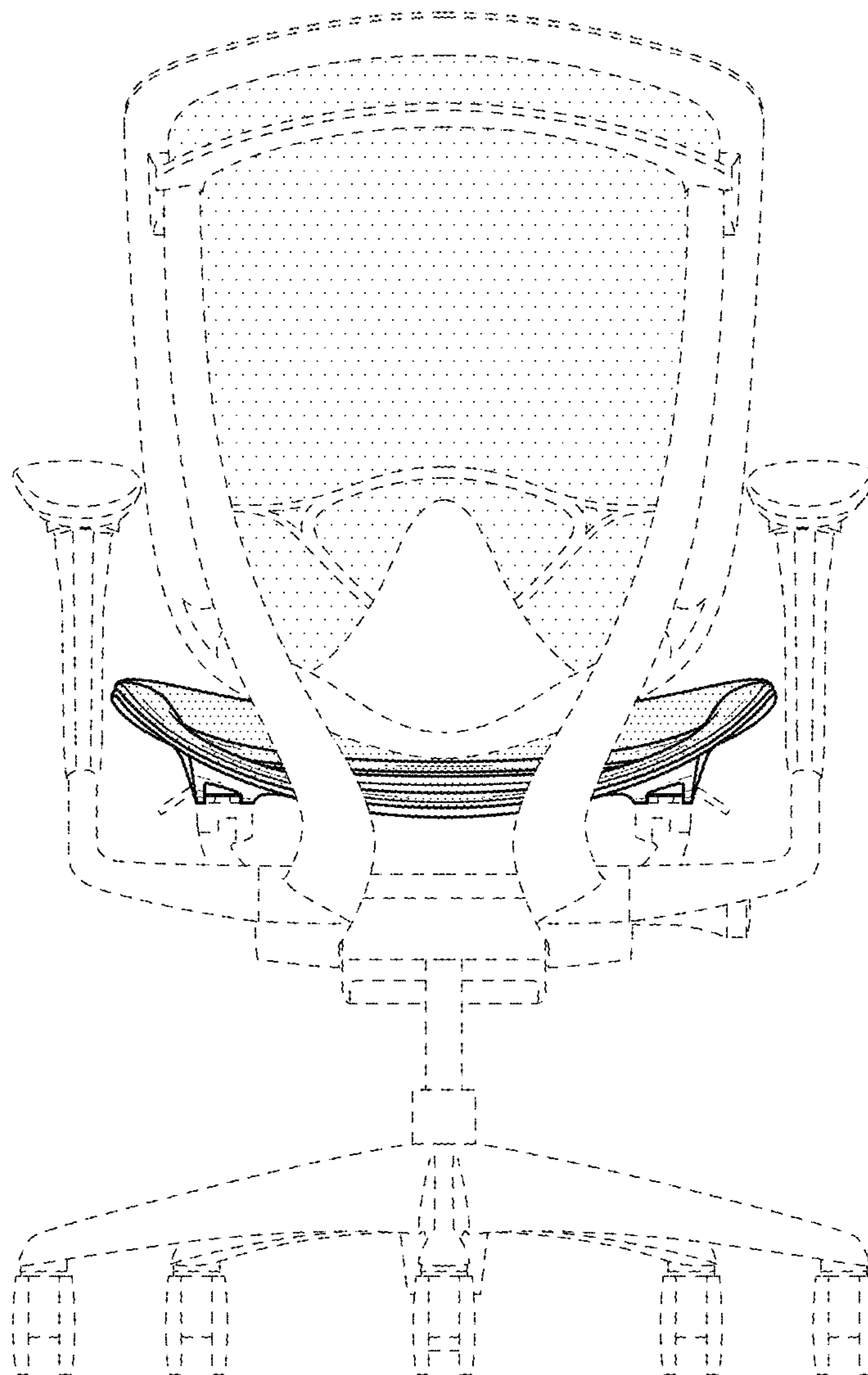


FIG. 5

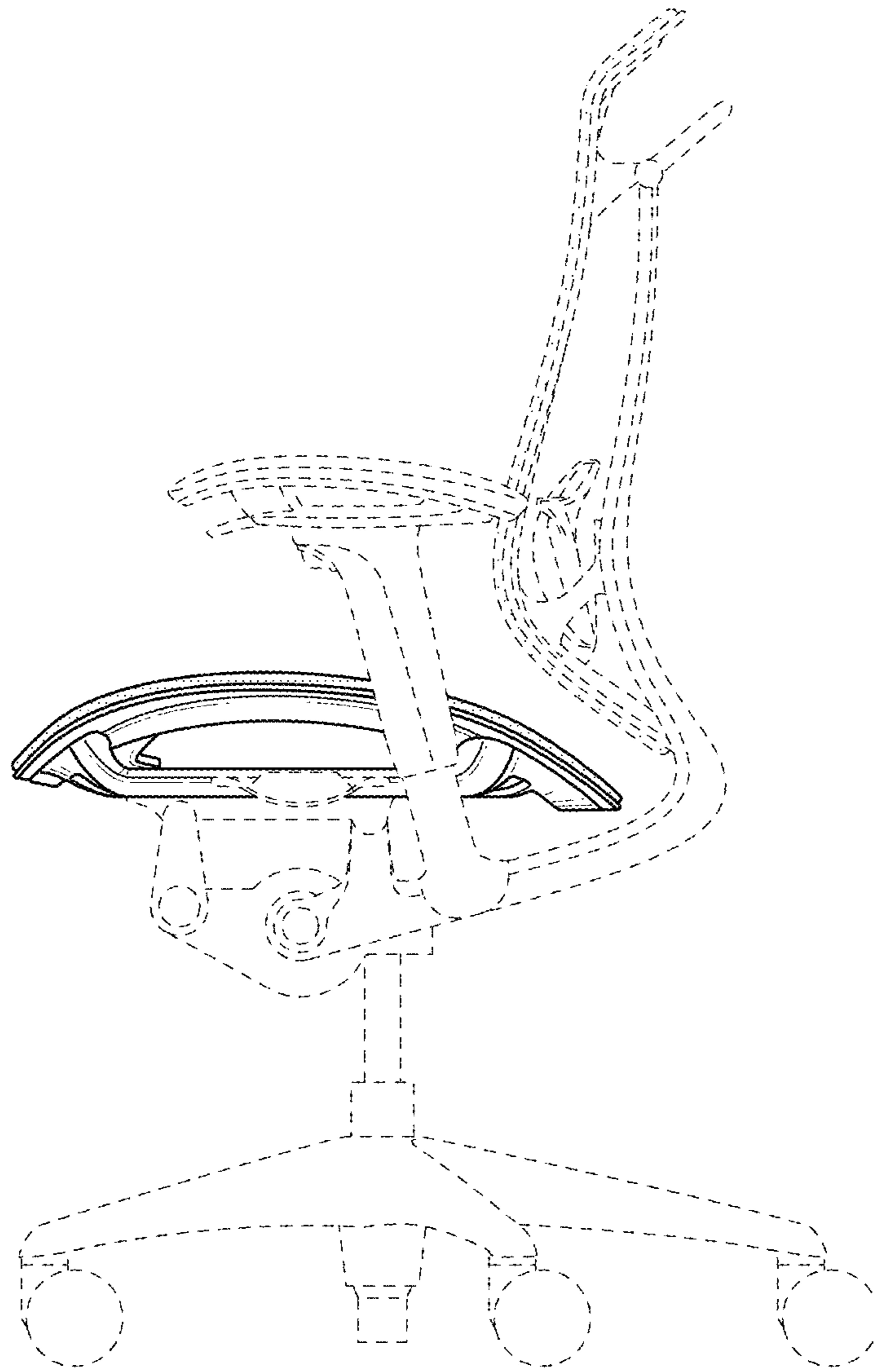


FIG. 6

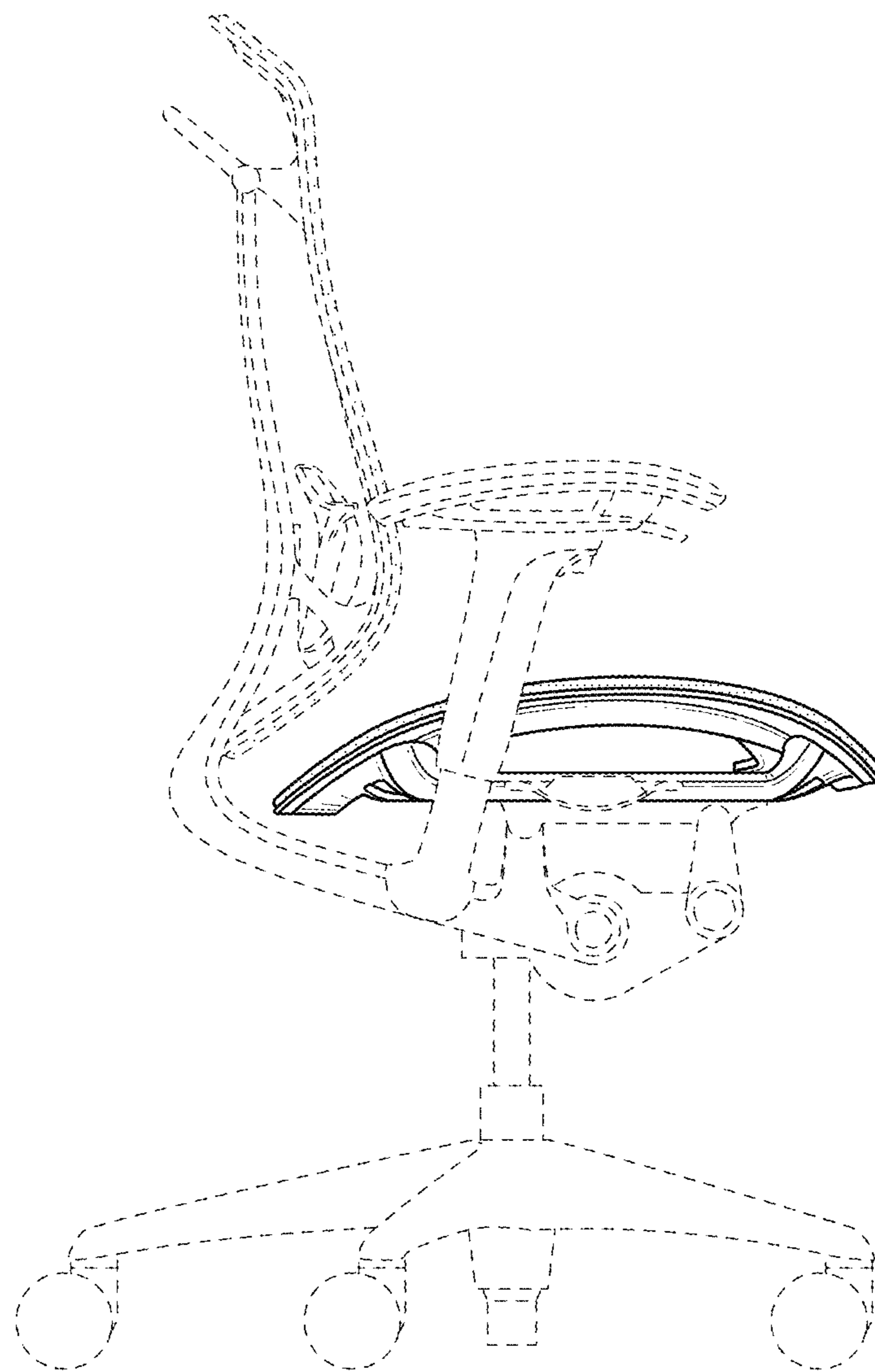


FIG. 7

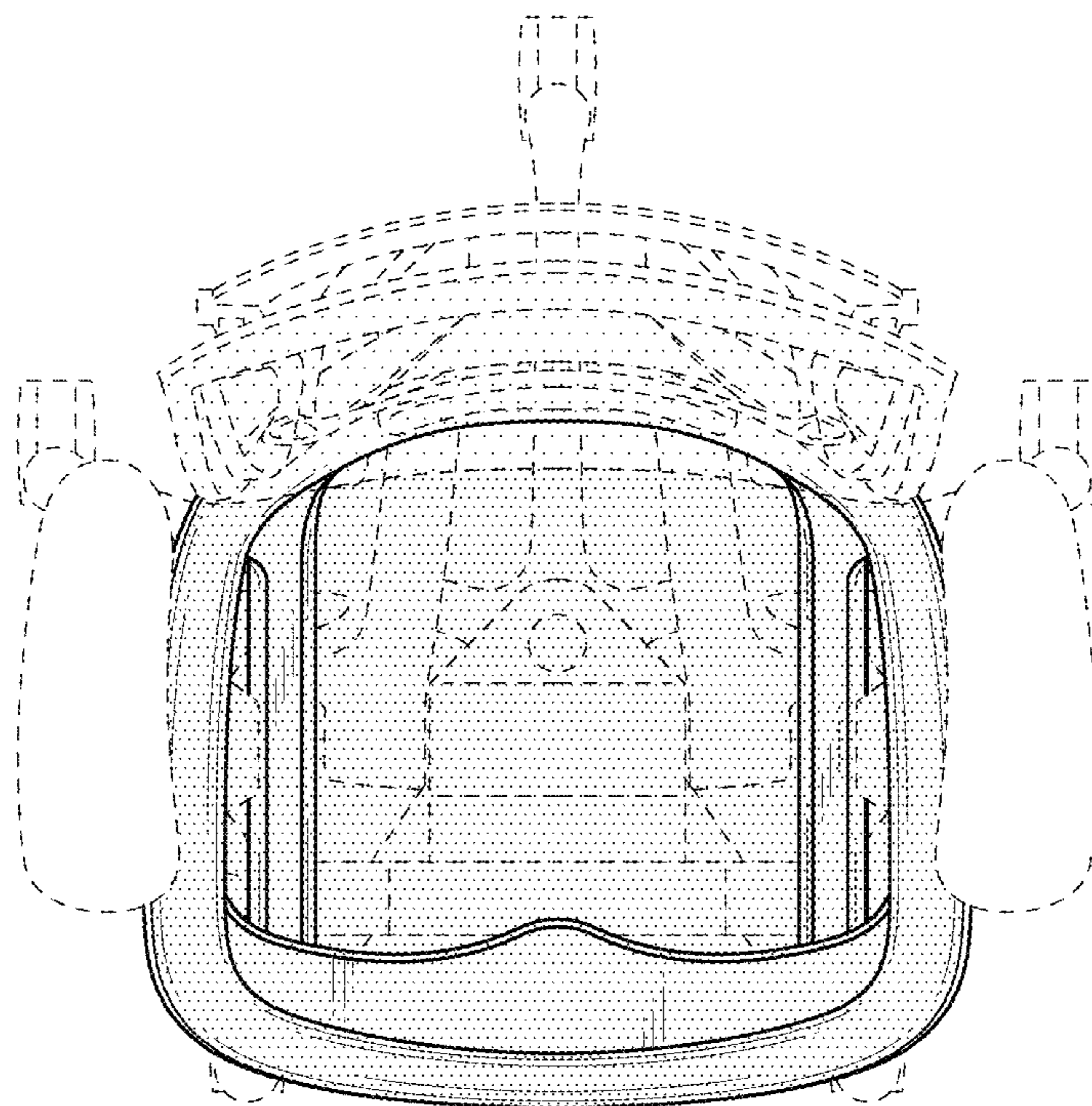




FIG. 8

