



US00D805334S

(12) **United States Design Patent**  
**Itou**

(10) **Patent No.:** **US D805,334 S**  
(45) **Date of Patent:** **\*\* Dec. 19, 2017**

- (54) **TABLE**
- (71) Applicant: **OKAMURA CORPORATION**,  
Yokohama-shi, Kanagawa (JP)
- (72) Inventor: **Masaru Itou**, Yokohama (JP)
- (73) Assignee: **Okamura Corporation**, Yokohama-shi,  
Kanagawa (JP)
- (\*\*) Term: **15 Years**
- (21) Appl. No.: **29/526,782**
- (22) Filed: **May 13, 2015**
- (51) **LOC (10) Cl.** ..... **06-03**
- (52) **U.S. Cl.**  
USPC ..... **D6/708.1**
- (58) **Field of Classification Search**  
USPC ..... D6/708, 708.1, 708.23, 709, 654.21,  
D6/656.17; D34/31; D30/118, 160, 199  
CPC .... A47B 1/00; A47B 1/08; A47B 1/10; A47B  
9/00; A47B 9/08; A47B 9/20; A47B 9/18;  
A47B 87/002; A47B 7/00; A47B  
2021/11; A47B 13/00; A47B 13/02; A47B  
13/04; A47B 91/00; A47B 2200/002;  
A47B 2200/0031

See application file for complete search history.

(56) **References Cited**

**U.S. PATENT DOCUMENTS**

- 3,151,830 A \* 10/1964 Giacomini ..... A47C 3/24  
108/150
- 3,153,524 A \* 10/1964 Greenfield ..... A47B 13/023  
108/150
- D199,671 S \* 12/1964 Mulhausar ..... D6/708.23
- D200,403 S \* 2/1965 Pettitt ..... D6/708.23
- 3,281,185 A \* 10/1966 Albinson ..... A47C 5/12  
297/218.5
- 3,347,509 A \* 10/1967 Blink ..... A47B 3/12  
108/150

- 3,361,472 A \* 1/1968 Hasbrouck ..... A47C 1/0246  
297/313
- 3,499,625 A \* 3/1970 Froedge ..... A47B 13/023  
108/150
- D217,961 S \* 7/1970 Strassle ..... D6/349
- 3,796,169 A \* 3/1974 Bales ..... A47B 3/0815  
108/116
- 3,801,054 A \* 4/1974 Glowacki ..... A47B 13/023  
248/188.7
- 4,448,378 A \* 5/1984 Binfare ..... A47B 13/023  
108/150
- D288,388 S \* 2/1987 Ochsner ..... D6/366
- D290,318 S \* 6/1987 Berry, Jr. .... D6/692.3
- 4,763,866 A \* 8/1988 Sinchok ..... A47B 91/00  
248/188.7
- 4,821,986 A \* 4/1989 White ..... A47B 13/023  
248/188.7
- 4,911,391 A \* 3/1990 Ellis ..... A47B 91/00  
248/165

(Continued)

*Primary Examiner* — David G Muller

*Assistant Examiner* — Nathan M Johnston

(74) *Attorney, Agent, or Firm* — Sughrue Mion, PLLC

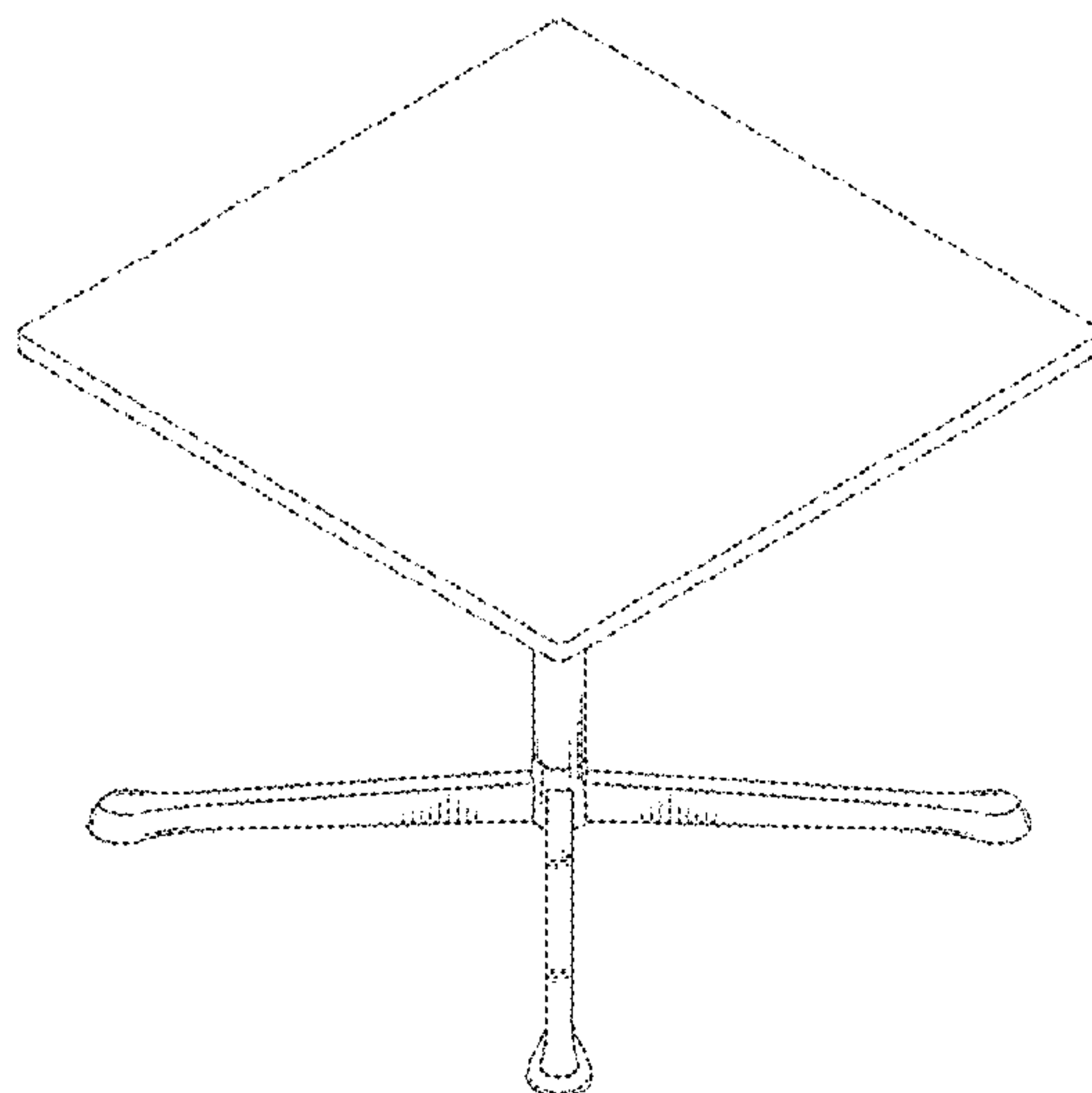
(57) **CLAIM**

The ornamental design for a table, as shown and described.

**DESCRIPTION**

FIG. 1 is a perspective view of a table.  
 FIG. 2 is a front elevation view thereof. A rear elevation view is identical to the front elevation view.  
 FIG. 3 is a right side elevation view thereof. A left side elevation view is identical to the right side elevation view.  
 FIG. 4 is a top plan view thereof.  
 FIG. 5 is a bottom plan view thereof; and,  
 FIG. 6 is an enlarged cross-sectional view taken along the line 6-6 in FIG. 4.  
 The broken lines shown in the drawings illustrate portions of the table that form no part of the claimed design.

**1 Claim, 6 Drawing Sheets**



(56)

References Cited

U.S. PATENT DOCUMENTS

D318,967 S \* 8/1991 Murry ..... D6/708  
 D326,572 S \* 6/1992 Mackie ..... D6/688  
 D333,058 S \* 2/1993 Diffrient ..... D6/708.25  
 D356,913 S \* 4/1995 Walsh ..... D6/708.23  
 D386,022 S \* 11/1997 Bennett ..... D6/695.2  
 D406,206 S \* 3/1999 Grosfillex ..... D6/692  
 D424,844 S \* 5/2000 Gutgsell ..... D6/708.23  
 D447,895 S \* 9/2001 Chen ..... D6/366  
 D458,776 S \* 6/2002 Patton ..... D6/366  
 D466,727 S \* 12/2002 Abboud ..... D14/305  
 D471,039 S \* 3/2003 Chen ..... D6/366  
 D472,079 S \* 3/2003 Chen ..... D6/708.23  
 D475,557 S \* 6/2003 Su ..... D6/366  
 D482,217 S \* 11/2003 Lin ..... D6/366  
 D482,549 S \* 11/2003 Tsai ..... D6/366  
 D494,786 S \* 8/2004 Cheng ..... D6/366  
 D494,787 S \* 8/2004 Fu ..... D6/366  
 D499,586 S \* 12/2004 Fu ..... D6/366  
 D507,436 S \* 7/2005 Chao ..... D6/366  
 D518,318 S \* 4/2006 Koepke ..... D6/708.23  
 D524,582 S \* 7/2006 Tsai ..... D6/366  
 D526,822 S \* 8/2006 Chen ..... D6/708.23  
 D549,014 S \* 8/2007 Donati ..... D6/708.23  
 D557,916 S \* 12/2007 Dietrich ..... D6/366  
 D560,406 S \* 1/2008 Privatt ..... D6/708.23

D562,037 S \* 2/2008 Kaloustian ..... D6/708.23  
 D569,663 S \* 5/2008 Pearsons ..... D6/708.23  
 D579,239 S \* 10/2008 Massaud ..... D6/691.4  
 D583,593 S \* 12/2008 Egger ..... D6/708.23  
 D583,594 S \* 12/2008 Tamara ..... D6/708.23  
 D584,521 S \* 1/2009 Massaud ..... D6/366  
 D584,901 S \* 1/2009 Massaud ..... D6/366  
 D585,655 S \* 2/2009 Pearson ..... D6/366  
 D585,669 S \* 2/2009 Gharabegian ..... D6/692.4  
 7,886,674 B2 \* 2/2011 Behnke ..... A47B 13/023  
 108/150  
 D644,046 S \* 8/2011 Cronk ..... D6/656.17  
 D644,455 S \* 9/2011 Wilson ..... D6/644  
 D644,457 S \* 9/2011 Wilson ..... D6/644  
 D653,480 S \* 2/2012 Tsai ..... D6/708.23  
 D664,371 S \* 7/2012 Wilson ..... D6/349  
 D665,603 S \* 8/2012 Huang ..... D6/708.23  
 D691,841 S \* 10/2013 Wu ..... D6/349  
 D696,883 S \* 1/2014 Krusin ..... D6/692.3  
 D718,558 S \* 12/2014 Chipman ..... D6/692.3  
 D722,801 S \* 2/2015 Tamura ..... D6/708  
 D760,023 S \* 6/2016 Barquin ..... D7/403  
 D782,236 S \* 3/2017 Wu ..... D6/708.23  
 D782,855 S \* 4/2017 Scagnellato ..... D6/685  
 2001/0019095 A1 \* 9/2001 Valiulis ..... A47B 91/00  
 248/188.7  
 2017/0065074 A1 \* 3/2017 Ilse ..... A47B 3/0803

\* cited by examiner

FIG. 1

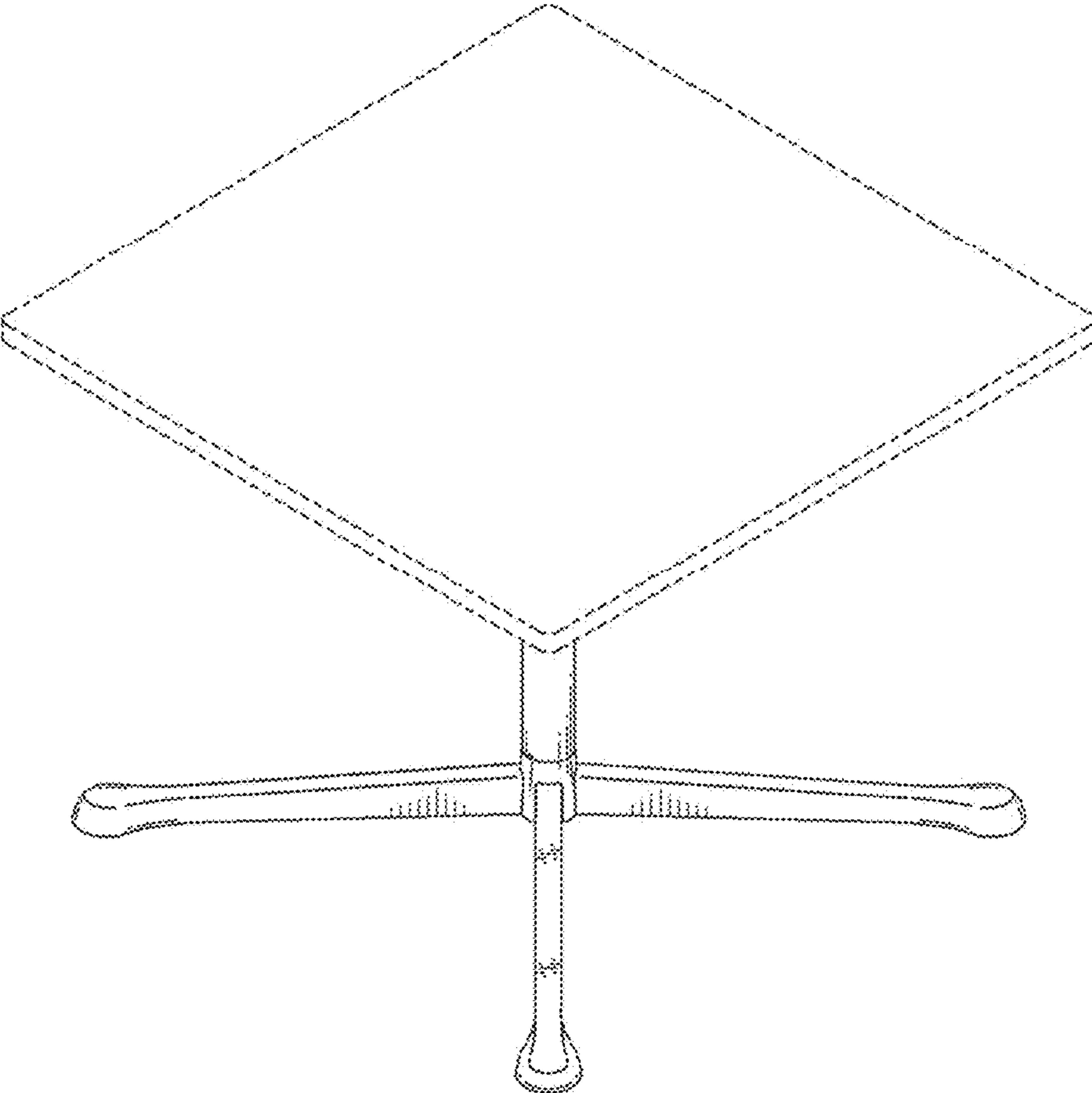


FIG. 2

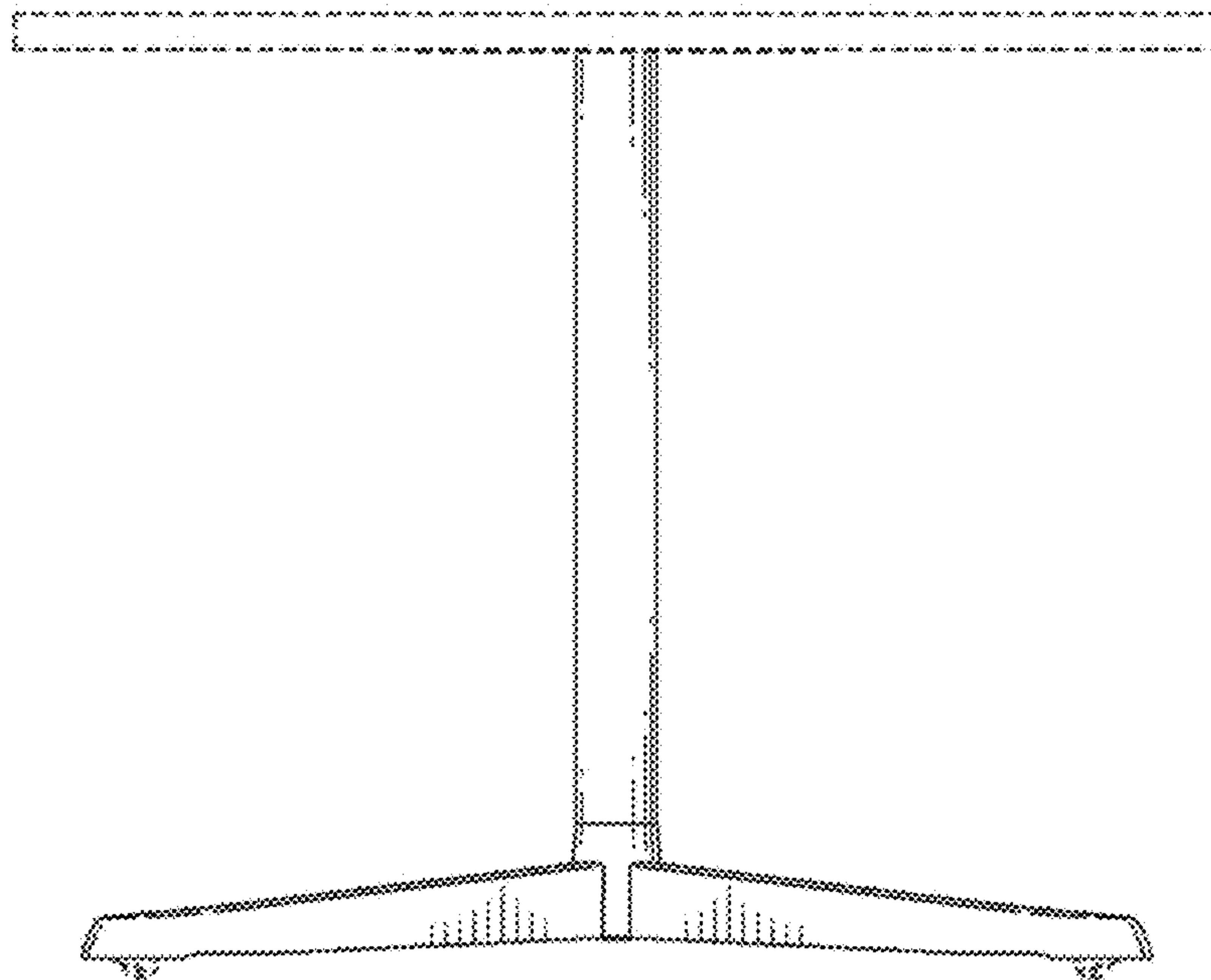


FIG. 3

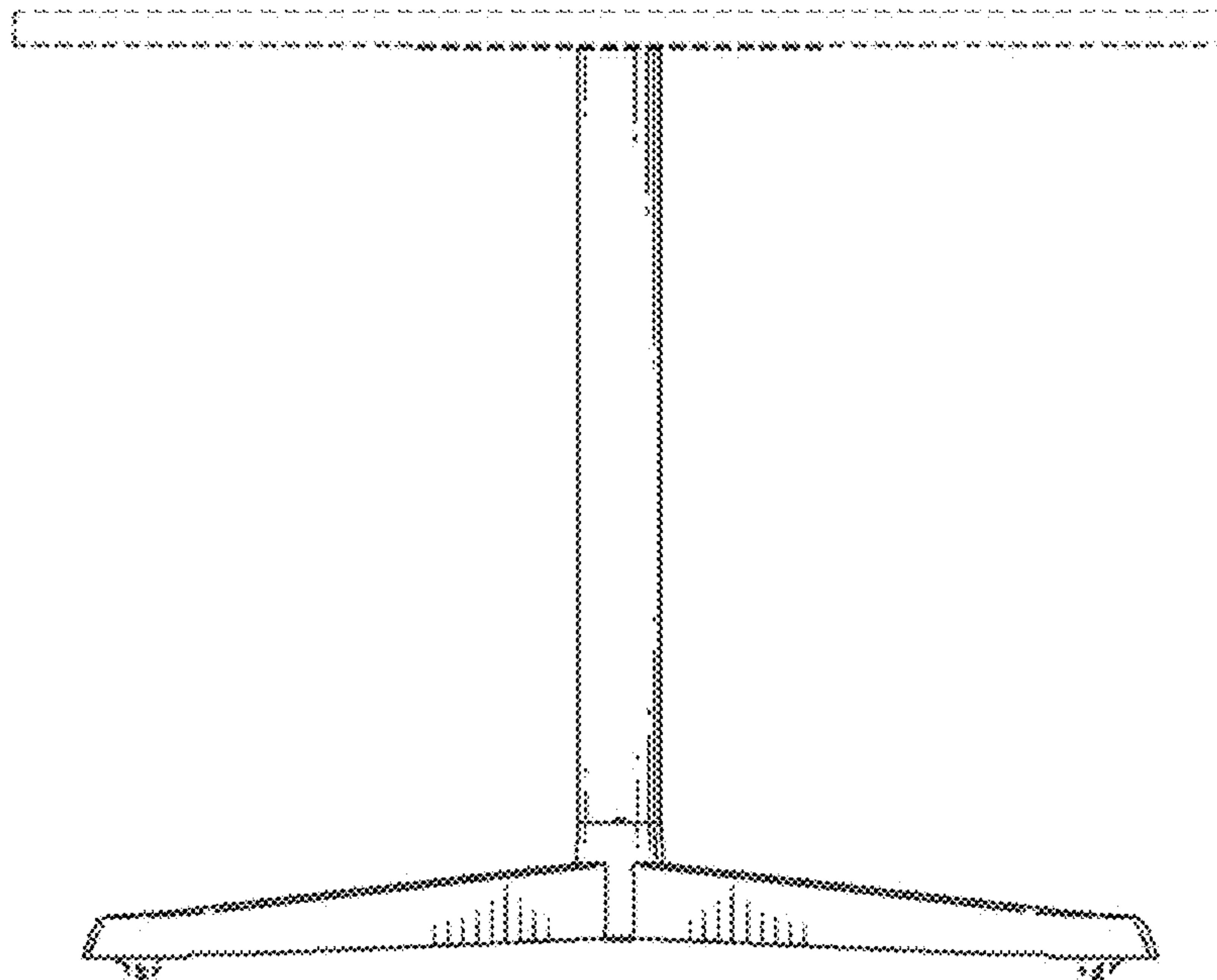


FIG. 4

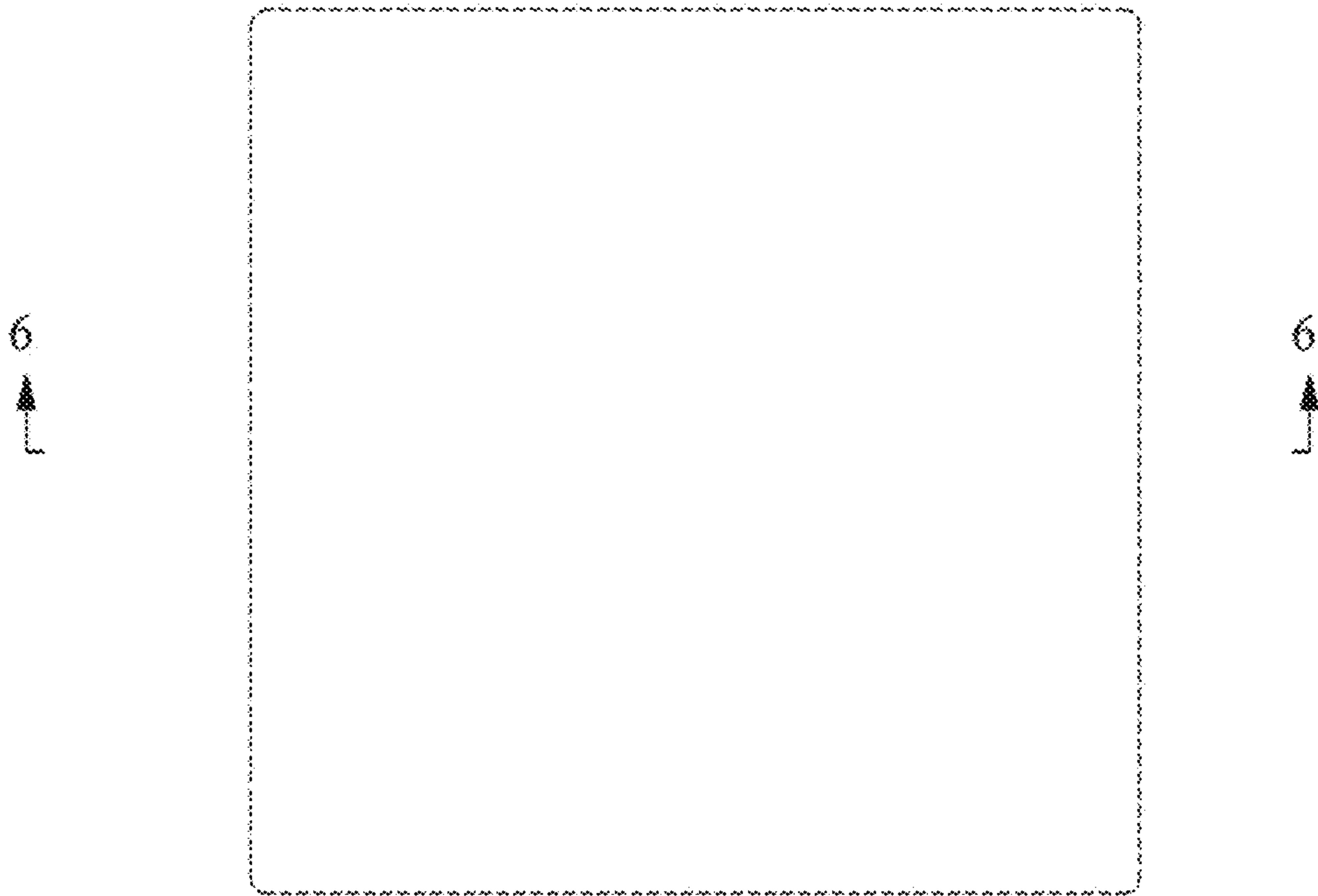




FIG. 5

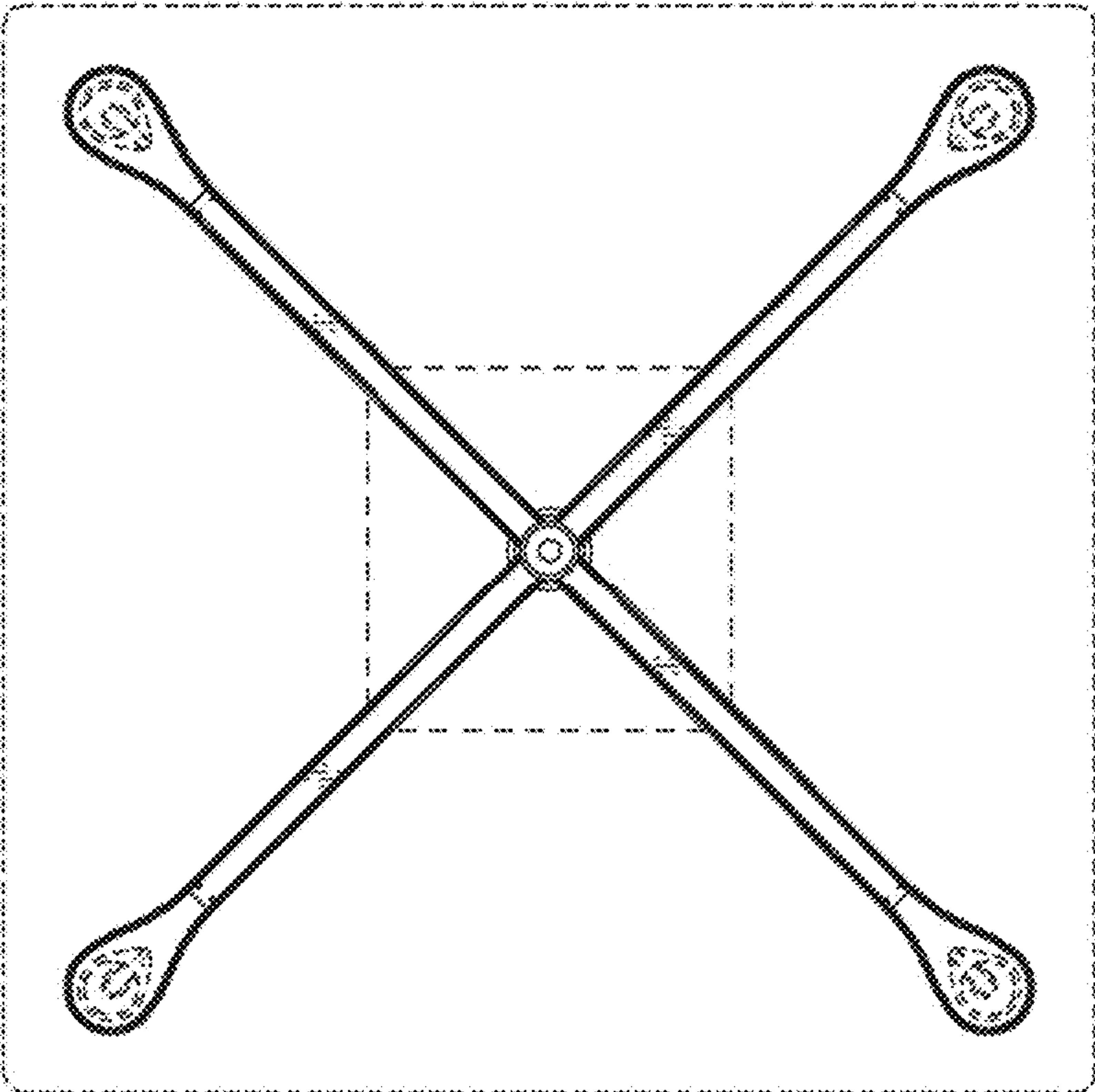


FIG. 6

