



US00D805331S

(12) **United States Design Patent** (10) **Patent No.:** **US D805,331 S**
De Iuliis et al. (45) **Date of Patent:** **** Dec. 19, 2017**

(54) **DISPLAY STAND**

(71) Applicant: **Apple Inc.**, Cupertino, CA (US)

(72) Inventors: **Daniele De Iuliis**, San Francisco, CA (US); **Jean Marc Gady**, Los Altos, CA (US); **Richard P. Howarth**, San Francisco, CA (US)

(73) Assignee: **Apple Inc.**, Cupertino, CA (US)

(**) Term: **15 Years**

(21) Appl. No.: **29/560,075**

(22) Filed: **Apr. 1, 2016**

(51) **LOC (10) Cl.** **20-02**

(52) **U.S. Cl.**
USPC **D6/682.6**

(58) **Field of Classification Search**
USPC D6/675-675.3, 677, 678-678.3, D6/680-680.2, 681, 682-682.6
CPC A47F 7/022; A47F 7/0057
See application file for complete search history.

(56) **References Cited**

U.S. PATENT DOCUMENTS

D143,795 S *	2/1946	Case	211/34
D209,359 S *	11/1967	Schuler	D6/682
D242,889 S *	1/1977	Hillman	D6/682.6
5,136,557 A	8/1992	Plawker et al.	
5,181,608 A *	1/1993	Herzog	A45C 11/12 206/301
D379,758 S	6/1997	Chu Lee	
D409,416 S	5/1999	Au	
6,109,279 A	8/2000	Kloss et al.	
D478,740 S	8/2003	Kirshner	

D487,366 S *	3/2004	Peyker	D6/682.6
D497,805 S *	11/2004	Gratiot	D9/422
D502,338 S	3/2005	Zanghi et al.	
D544,727 S *	6/2007	Valdez	D6/552
D553,122 S *	10/2007	Solland	D14/217
D599,241 S	9/2009	Andre et al.	
D643,844 S	8/2011	Akana et al.	
D662,939 S	7/2012	Akana et al.	
D696,259 S	12/2013	Howarth et al.	
D735,131 S	7/2015	Akana et al.	
D740,060 S	10/2015	Akana et al.	
D753,942 S *	4/2016	Akana	D6/682.5
D789,123 S *	6/2017	Akana	D6/682.5
D794,984 S *	8/2017	Green	D6/682.5

* cited by examiner

Primary Examiner — John Windmuller

Assistant Examiner — Melvin L Davis

(74) *Attorney, Agent, or Firm* — Sterne, Kessler, Goldstein & Fox P.L.L.C.

(57) **CLAIM**

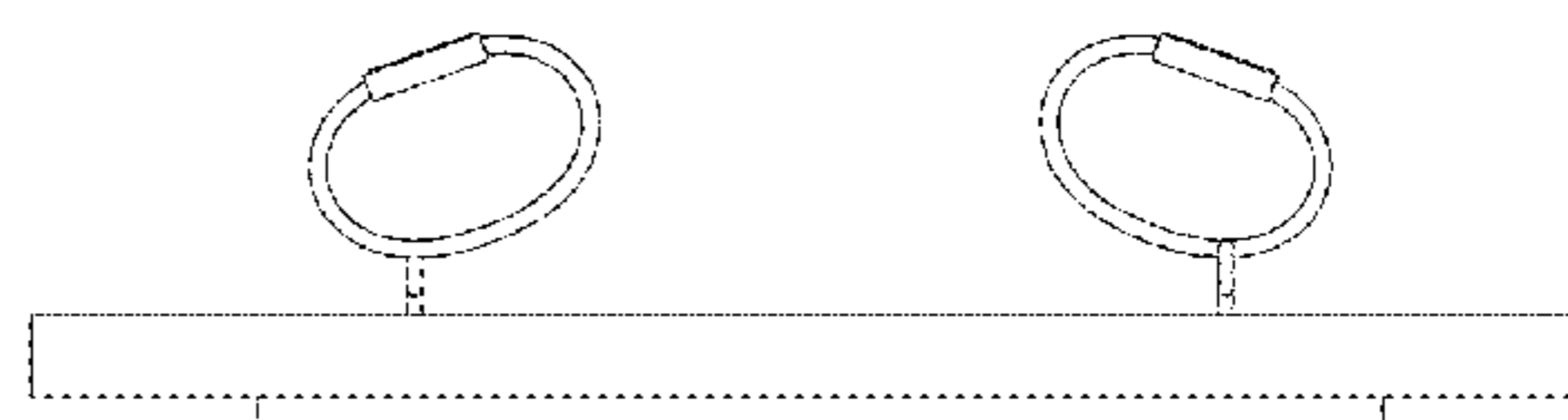
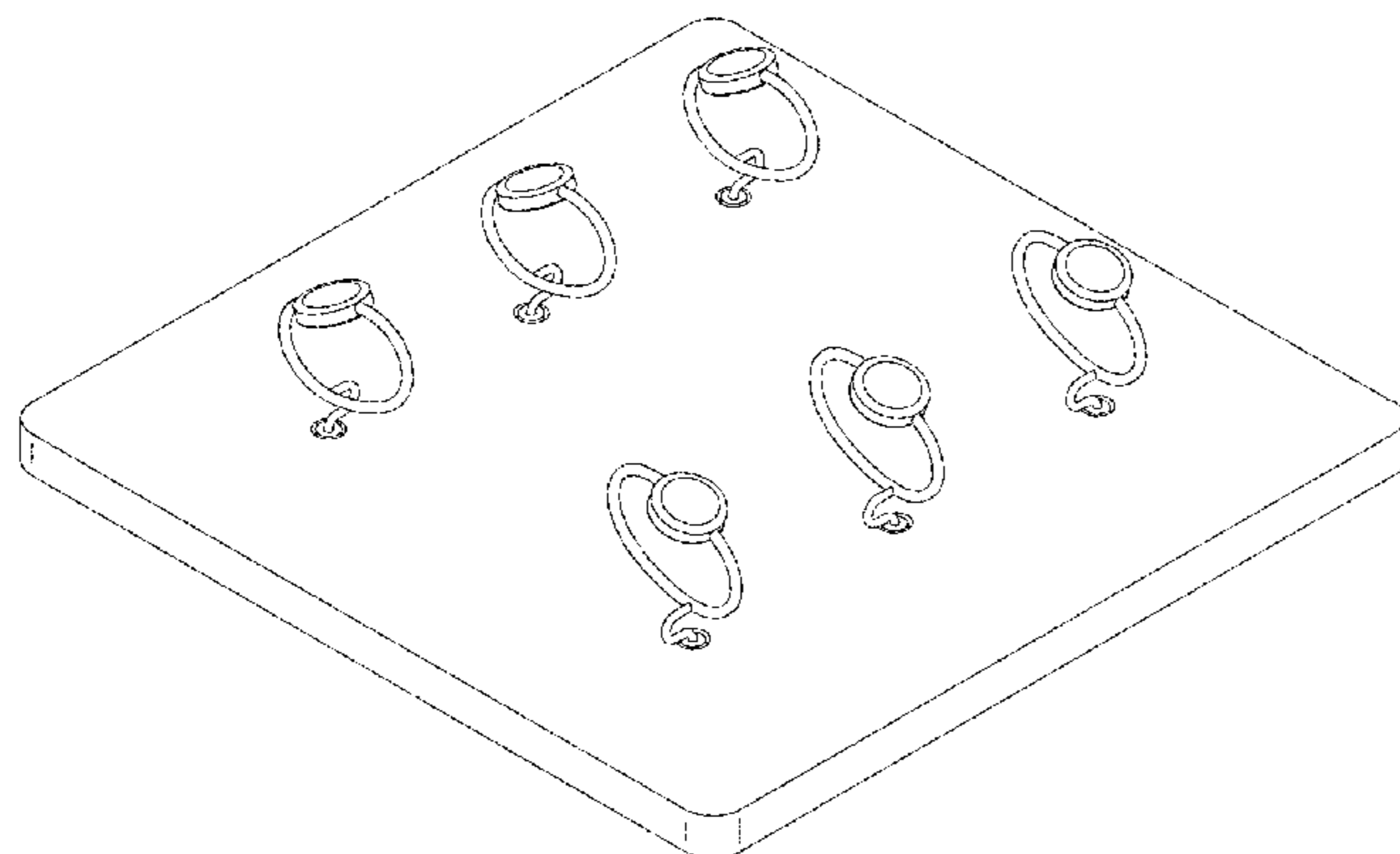
The ornamental design for a display stand, as shown and described.

DESCRIPTION

FIG. 1 is a top perspective view of a display stand showing the claimed design;
FIG. 2 is a front view thereof;
FIG. 3 is a rear view thereof;
FIG. 4 is a left side view thereof;
FIG. 5 is a right side view thereof;
FIG. 6 is a top view thereof; and,
FIG. 7 is a bottom view thereof.

The shade lines in the figures show contour and not surface ornamentation.

1 Claim, 5 Drawing Sheets



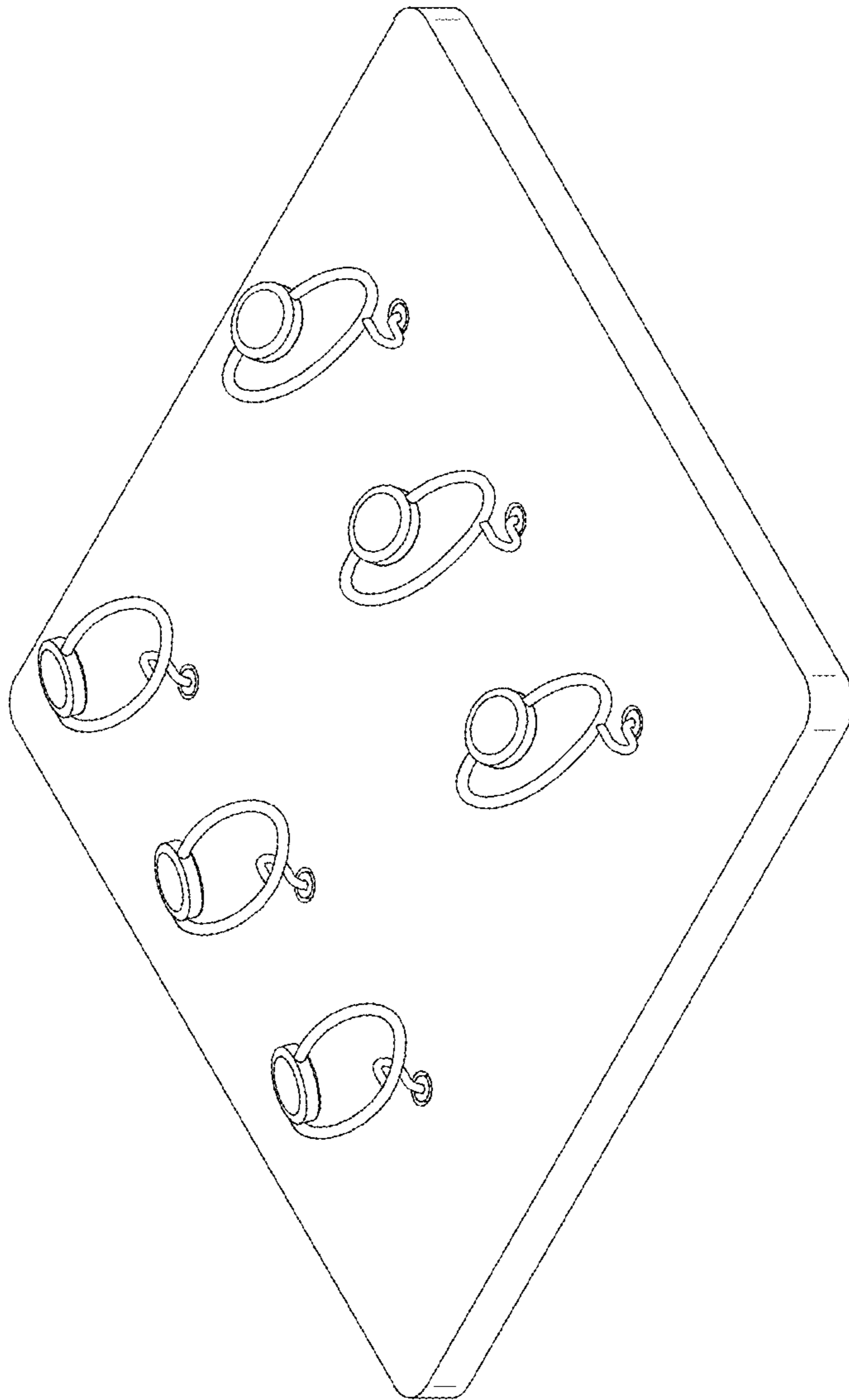


FIG. 1

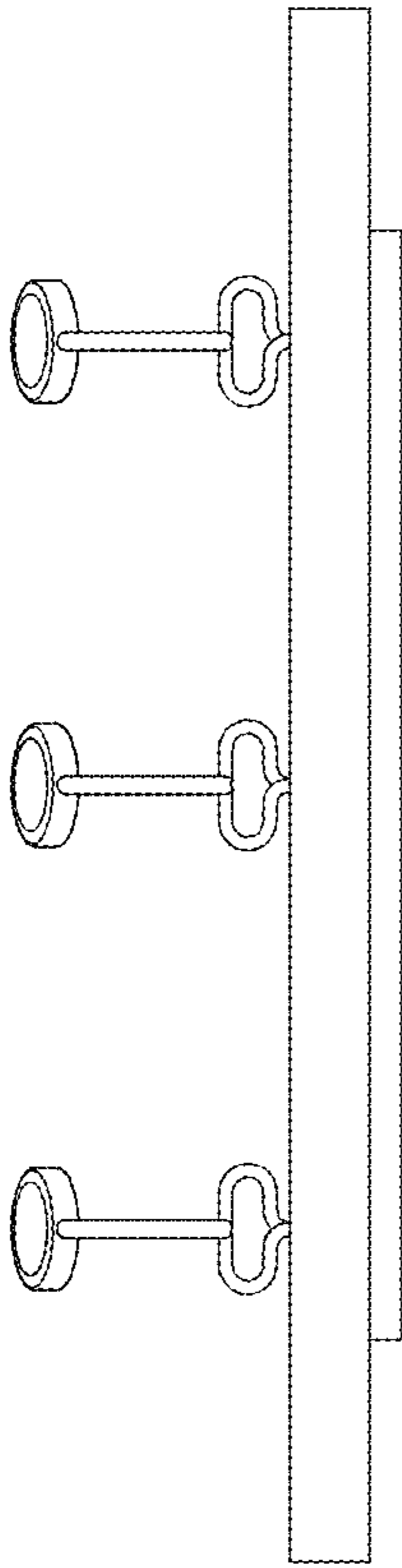


FIG. 2

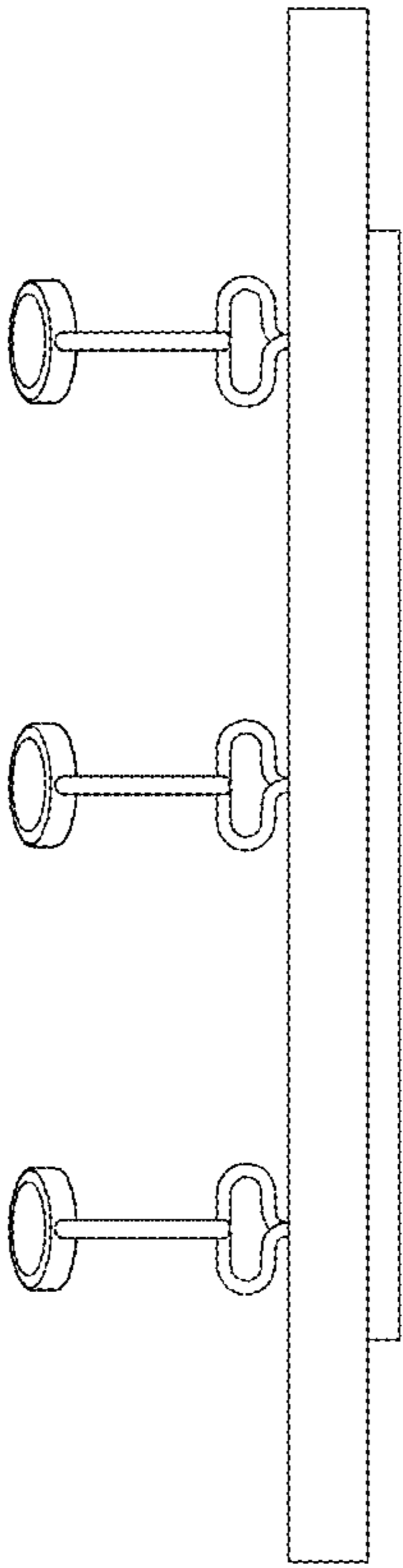


FIG. 3

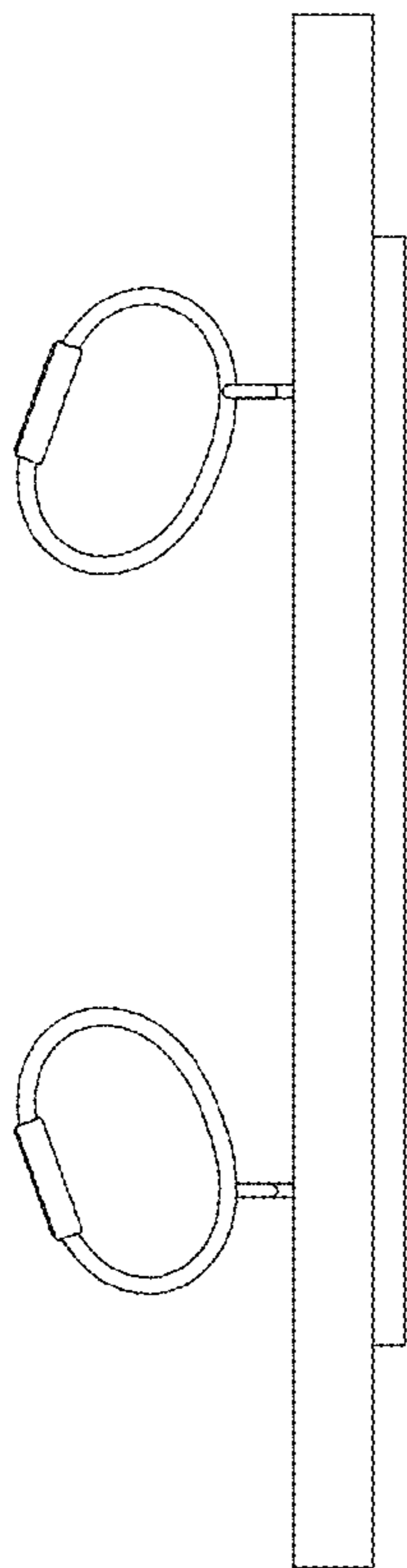


FIG. 4

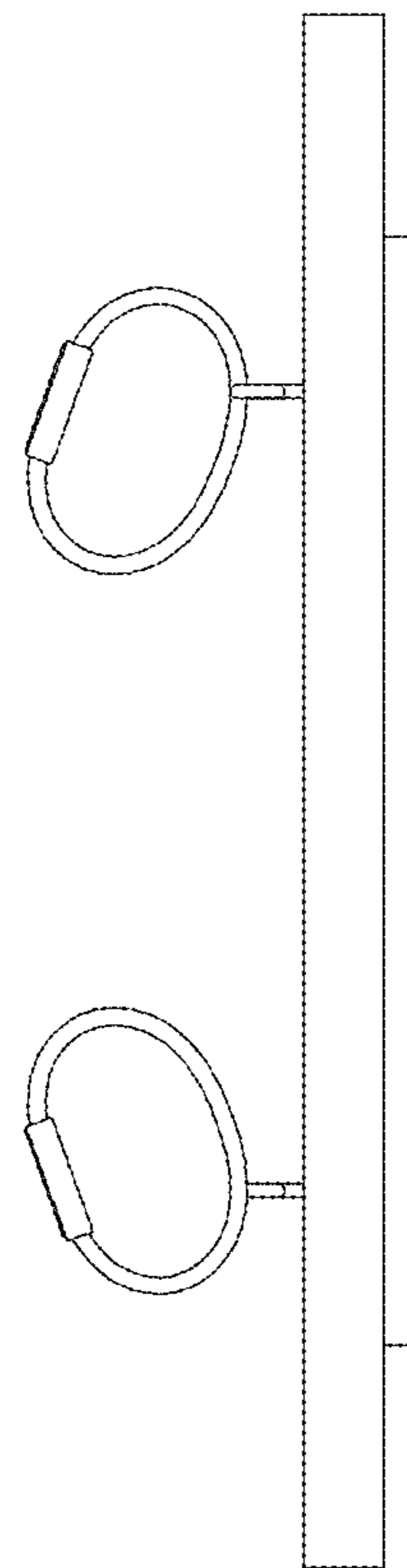


FIG. 5

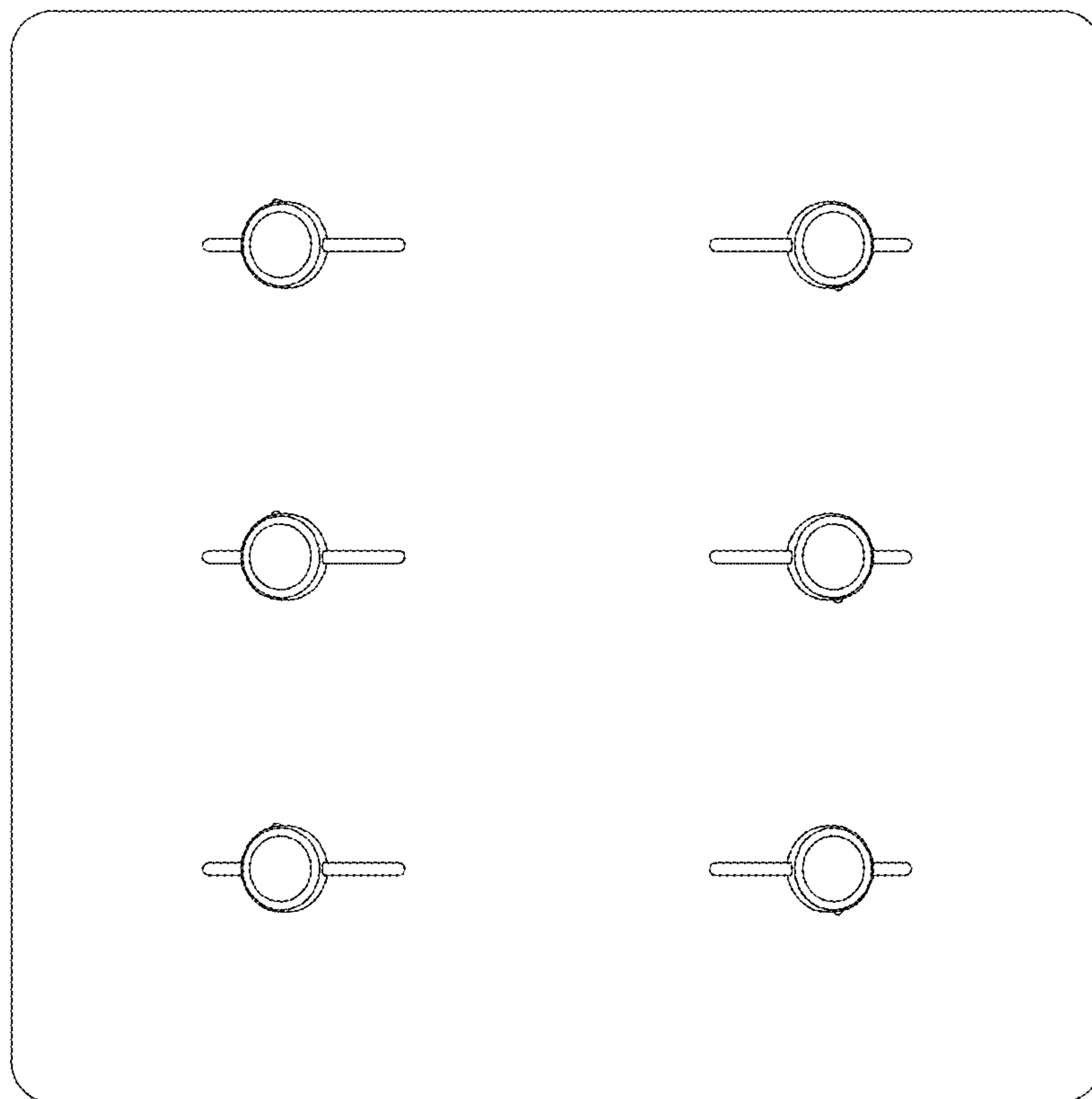


FIG. 6

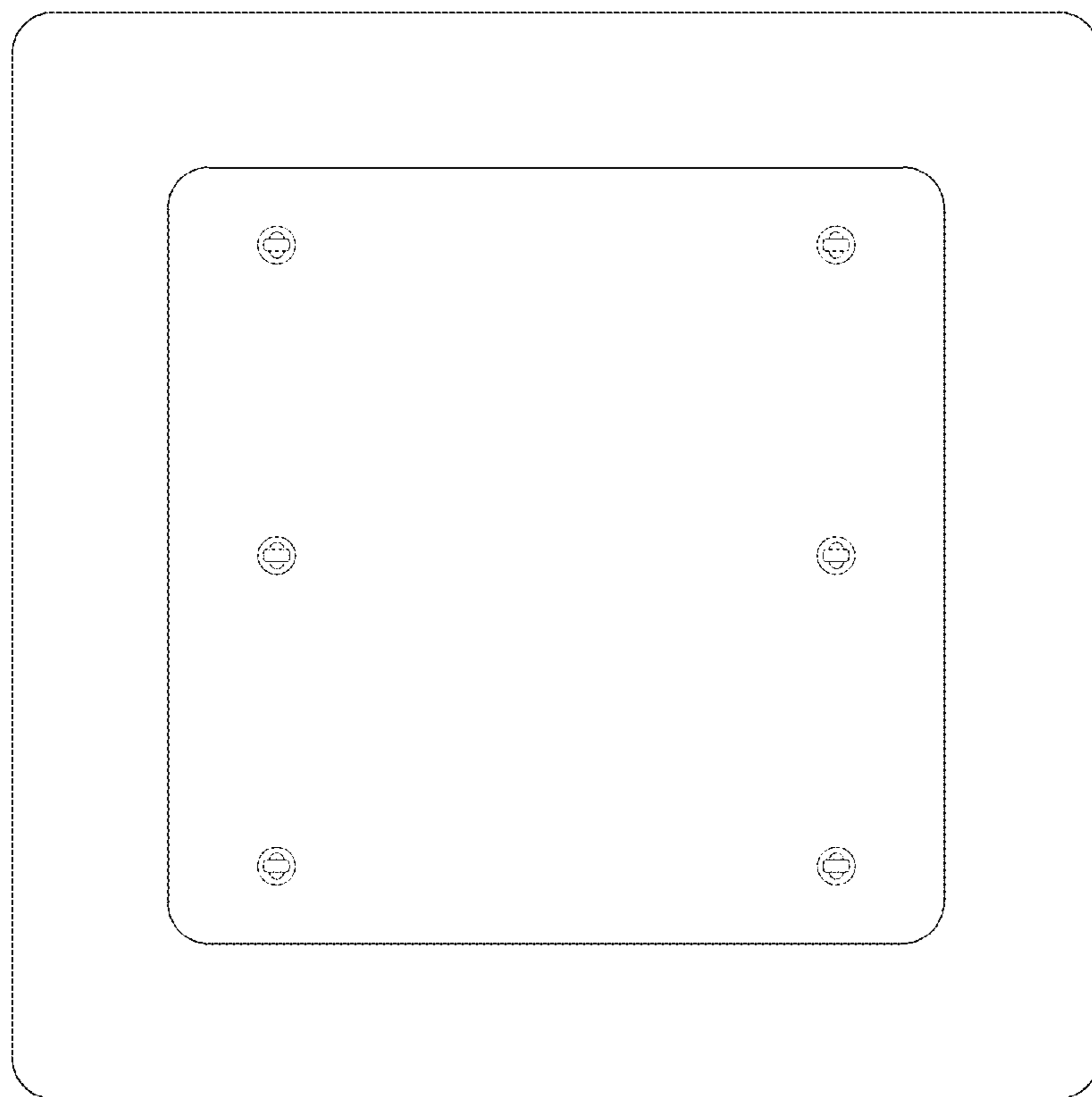


FIG. 7