



US00D805330S

(12) **United States Design Patent** (10) **Patent No.:** **US D805,330 S**
Rost, Jr. et al. (45) **Date of Patent:** **** Dec. 19, 2017**

(54) **SCHEDULE RACK**

D584,538 S * 1/2009 Weigand D6/675.2
D655,533 S * 3/2012 Denby D6/680
D667,239 S * 9/2012 Brozak D6/677.3

(71) Applicant: **Regional Transportation District,**
Denver, CO (US)

(72) Inventors: **Richard Charles Rost, Jr.,** Englewood,
CO (US); **Earl Franklin Staley,**
Lakewood, CO (US)

(73) Assignee: **Regional Transportation District,**
Denver, CO (US)

(**) Term: **15 Years**

(21) Appl. No.: **29/557,683**

(22) Filed: **Mar. 10, 2016**

(51) **LOC (10) Cl.** **20-02**

(52) **U.S. Cl.**
USPC **D6/680.2; D6/675.3; D6/681**

(58) **Field of Classification Search**
USPC **D6/675-675.3, 677, 678, 680.2, 678.2**
CPC **A47F 5/0018; A47F 3/142**
See application file for complete search history.

(56) **References Cited**

U.S. PATENT DOCUMENTS

D213,343 S * 2/1969 Stulman D6/407
D325,480 S * 4/1992 Krautsack D6/680
D331,844 S * 12/1992 Rover D6/680.2
D338,355 S * 8/1993 Wells D6/630
D348,364 S * 7/1994 Engel D6/660
D353,284 S * 12/1994 Greenwald D6/657
D387,943 S * 12/1997 Fink D6/630
D408,654 S * 4/1999 Liberto D6/680
5,984,439 A * 11/1999 Orr A47F 3/142
312/140.2

OTHER PUBLICATIONS

Four Sided Display Kiosk with Brochure Holders: Announced 2017 [online], site visited Jul. 17, 2017. Available from Internet URL: <https://www.displaysdoneright.com/products/four-sided-display-kiosk-with-brochure-holders-4sksk>.*

48 Asian Table Lamps: Announced 2017 [online], site visited Jul. 17, 2017. Available from Internet URL: https://www.houzz.com/photos/asian/table-lamps/design_lamp--Table-Lantern.*

* cited by examiner

Primary Examiner — John Windmuller

Assistant Examiner — Melvin L Davis

(74) *Attorney, Agent, or Firm* — Sheridan Ross PC

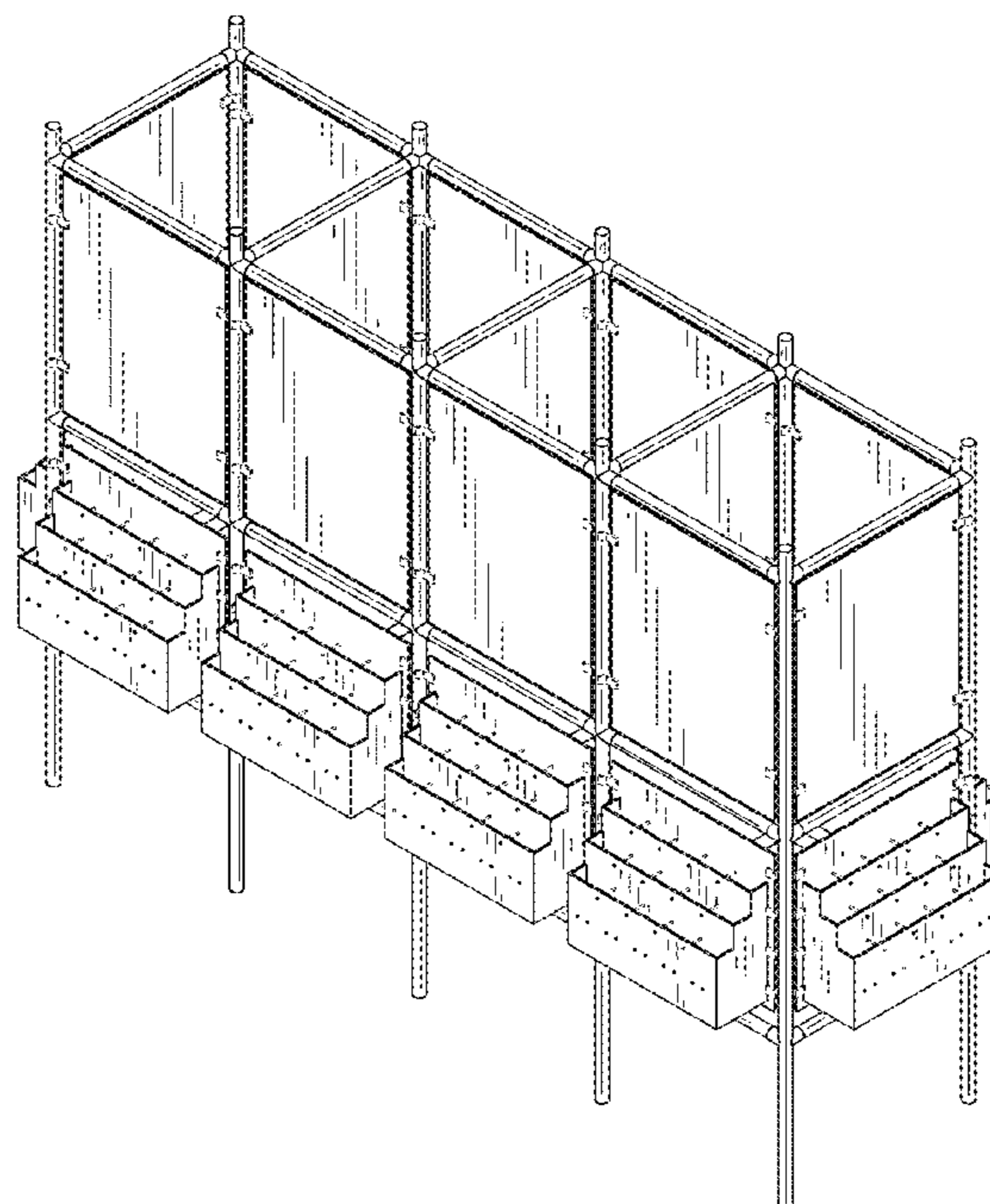
(57) **CLAIM**

The ornamental design for a schedule rack, as shown and described.

DESCRIPTION

FIG. 1 is a perspective view of the schedule rack;
FIG. 2 is a front elevation view thereof;
FIG. 3 is a rear elevation view thereof;
FIG. 4 is a right elevation view thereof;
FIG. 5 is a left elevation view thereof;
FIG. 6 is a top plan view thereof; and,
FIG. 7 is a bottom plan view thereof.
The broken lines depict portions of the schedule rack in which the design is embodied that are not considered part of the claimed design.

1 Claim, 5 Drawing Sheets



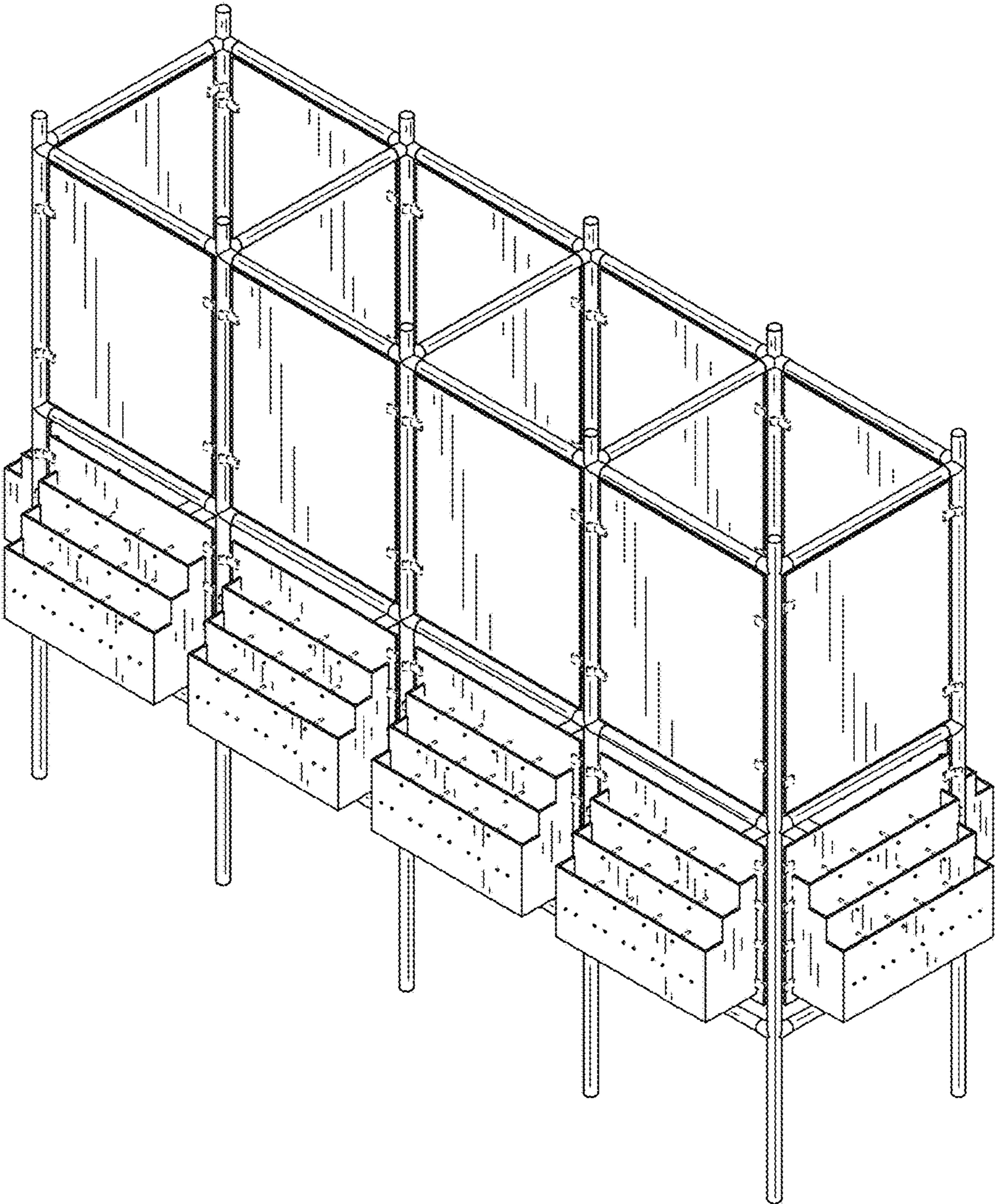


FIG.1



FIG. 2



FIG. 3

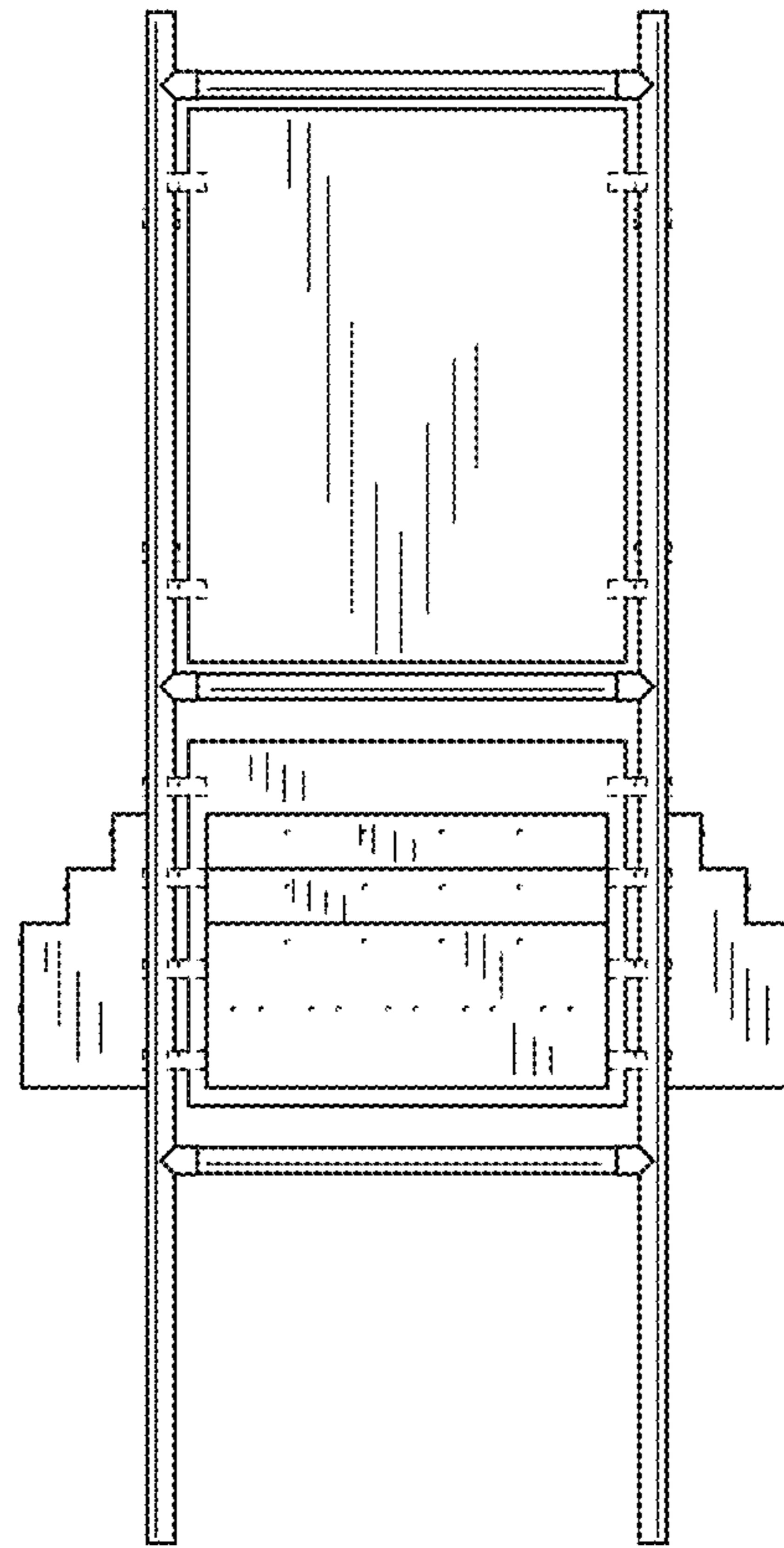


FIG. 4

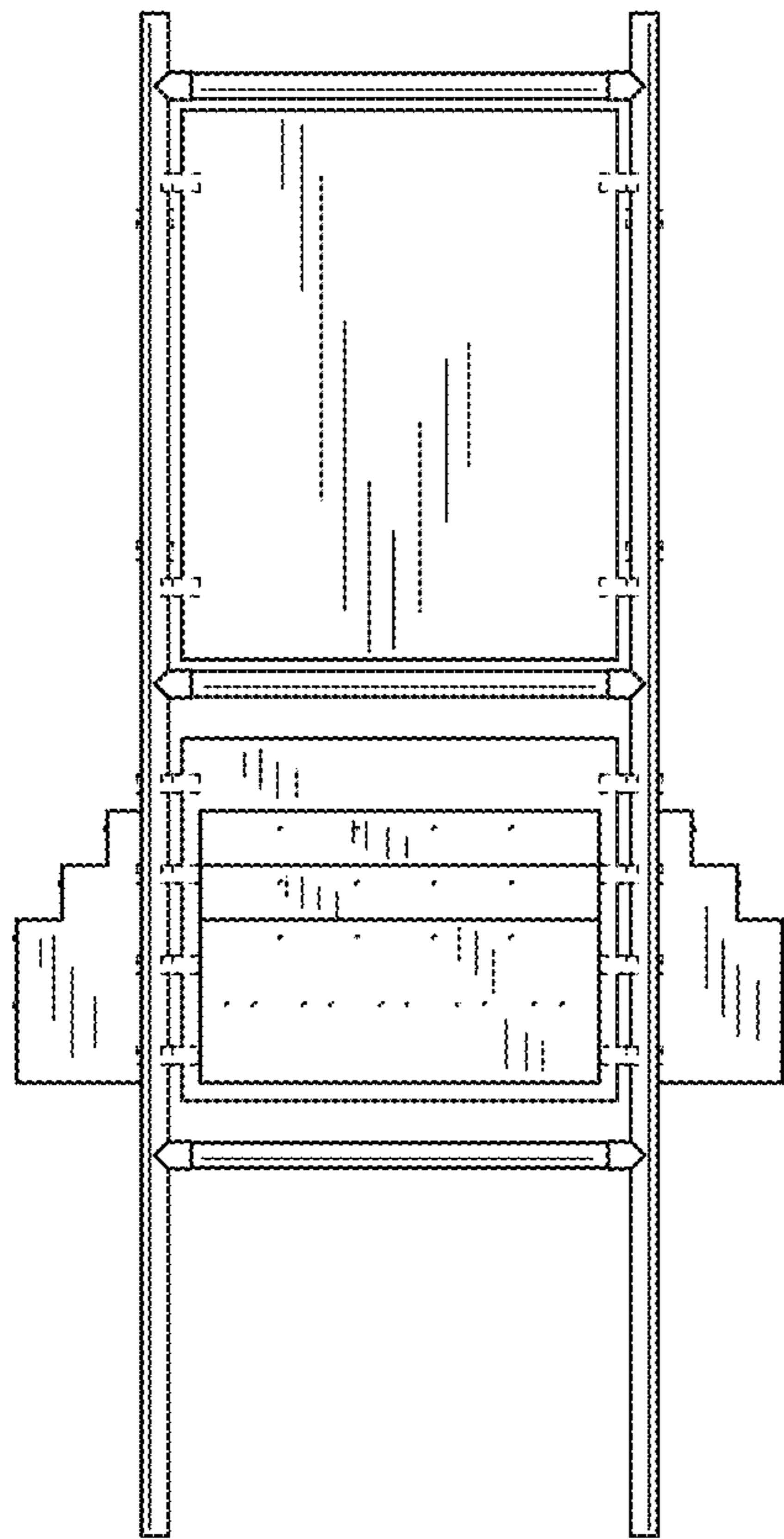


FIG. 5

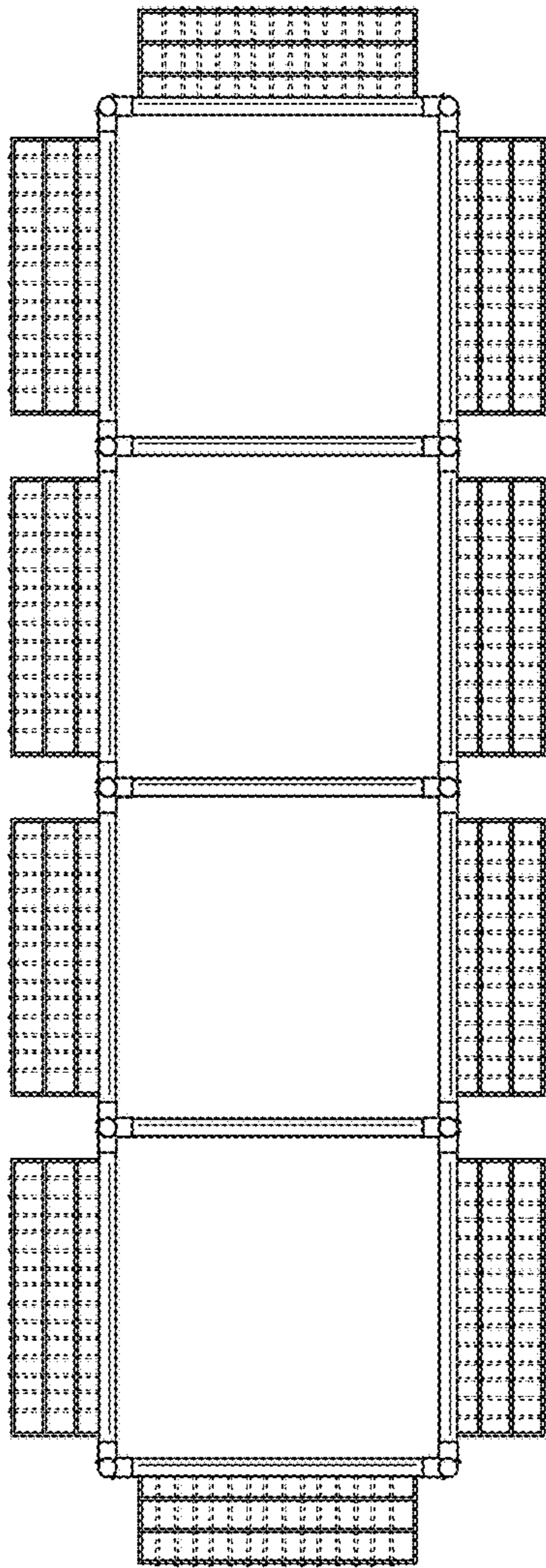


FIG. 6

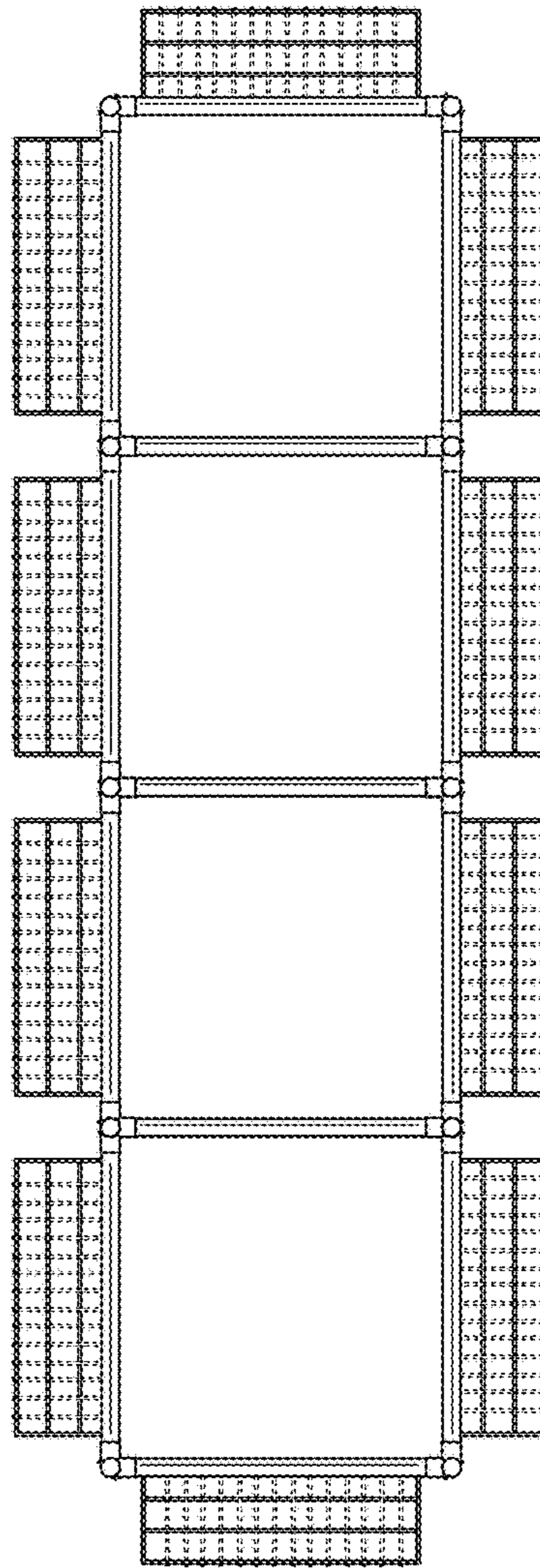


FIG. 7