



US00D805325S

(12) **United States Design Patent** (10) **Patent No.:** **US D805,325 S**
Chan (45) **Date of Patent:** **** Dec. 19, 2017**

(54) **WEDGE PILLOW**
(71) Applicant: **King Chan**, Lake Oswego, OR (US)
(72) Inventor: **King Chan**, Lake Oswego, OR (US)
(**) Term: **15 Years**
(21) Appl. No.: **29/586,556**
(22) Filed: **Dec. 5, 2016**
(51) **LOC (10) Cl.** **06-09**
(52) **U.S. Cl.**
USPC **D6/601**
(58) **Field of Classification Search**
USPC D6/333, 349, 355, 375, 388, 512, 563,
D6/564, 595, 596, 601, 604, 611, 707,
D6/715, 716, 716.1; D24/183-185, 234;
D21/803, 804, 805, 809; 5/401, 420,
5/600, 630, 631, 632, 633, 635, 636, 638,
5/639, 646, 652, 652.1, 655, 703, 730;
297/1, 2, 4, 93, 180.11, 195.1, 195.11,
297/195.13, 393, 397, 452.12, 452.14,
297/452.15, 452.21, 452.24, 452.26,
297/452.48, 452.62, 482
CPC A47G 9/10; A47G 9/1009; A47G 9/1027;
A47G 9/1045; A47G 9/1063; A47G
9/1072; A47G 9/1081
See application file for complete search history.

D295,248 S * 4/1988 Sommerfield D6/601
D318,392 S * 7/1991 Edelson D6/596
D319,365 S * 8/1991 Edelson D6/596
D336,134 S * 6/1993 Kalatsky D24/190
D371,462 S * 7/1996 Grossmith D6/349
D375,989 S * 11/1996 Jacobs D21/809
D390,298 S * 2/1998 Ince 5/633
D392,495 S * 3/1998 Baousson D6/596
D398,181 S * 9/1998 Lange D6/596
D406,210 S * 3/1999 Johnson D6/349
D406,718 S * 3/1999 Jacobs D21/686
D407,259 S * 3/1999 Jackson D6/601
D441,587 S * 5/2001 Cameron D6/601
D446,676 S * 8/2001 Mayes D6/601
D503,580 S * 4/2005 Donoghue D6/601
6,931,683 B1 * 8/2005 Elkin A47D 13/08
5/632
D509,269 S * 9/2005 Decker D21/686
D531,315 S * 10/2006 Caudra D24/183
D539,066 S * 3/2007 Coquillet D6/601
D553,884 S * 10/2007 Faber D6/601
D573,830 S * 7/2008 Kalatsky D6/601
D582,706 S * 12/2008 Cruz D6/716

(Continued)

Primary Examiner — Eric L Goodman
Assistant Examiner — Sanjeev Paul
(74) *Attorney, Agent, or Firm* — Mohr Intellectual
Property Law Solutions, PC

(57) **CLAIM**

I claim the ornamental design for a wedge pillow, as shown and described.

DESCRIPTION

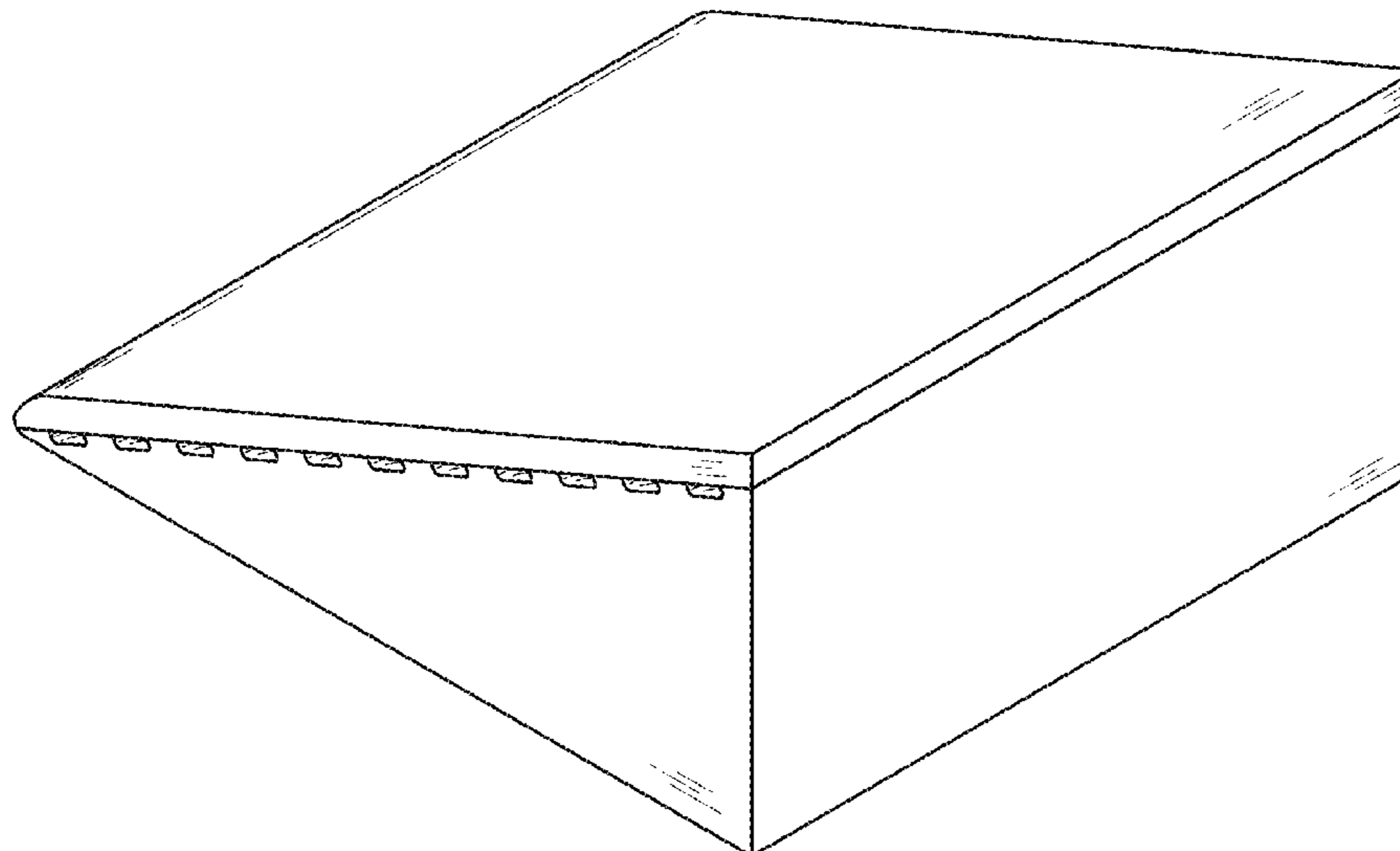
FIG. 1 is a perspective view of a wedge pillow.
FIG. 2 is a front elevation view thereof.
FIG. 3 is a rear elevation view thereof.
FIG. 4 is a top plan view thereof.
FIG. 5 is a bottom plan view thereof.
FIG. 6 is a right-side elevation view thereof; and,
FIG. 7 is a left-side elevation view thereof.

1 Claim, 7 Drawing Sheets

(56) **References Cited**

U.S. PATENT DOCUMENTS

1,890,358 A * 12/1932 Barcalo A47G 9/10
24/102 T
4,193,150 A * 3/1980 Vineberg A47C 20/027
297/DIG. 1
D266,549 S * 10/1982 Lund, III 5/930
4,635,306 A * 1/1987 Willey A47C 3/16
5/632
D289,354 S * 4/1987 Willey D6/601



(56)

References Cited

U.S. PATENT DOCUMENTS

D587,507	S *	3/2009	Martin	D6/604
D610,852	S *	3/2010	Rothschild	D6/601
D634,568	S *	3/2011	Fischnaller	D6/716.1
D635,265	S *	3/2011	Coffey	D24/183
D642,412	S *	8/2011	Cuba	D6/601
D651,840	S *	1/2012	Davis, III	A47C 20/048
				D6/601
D655,559	S *	3/2012	Cheng	D6/601
D736,391	S *	8/2015	Johnson	D24/184
D749,862	S *	2/2016	Polk-Kuku	D6/349
D755,543	S *	5/2016	Upadhyay	D6/601
D759,825	S *	6/2016	Johnson	D24/184
D778,373	S *	2/2017	Gossett	D21/685
2001/0044968	A1 *	11/2001	Schmitter	A47C 20/00
				5/652
2004/0123390	A1 *	7/2004	Takizawa	A47C 20/021
				5/630
2005/0172408	A1 *	8/2005	Temple	A47G 9/10
				5/633
2006/0080780	A1 *	4/2006	Schlieps	A47C 9/027
				5/657
2010/0262050	A1 *	10/2010	Gasparovich	A47C 21/006
				601/57
2014/0189956	A1 *	7/2014	Sosi	A47D 13/08
				5/655
2016/0106225	A1 *	4/2016	Ham	A47C 27/082
				5/655.3

* cited by examiner

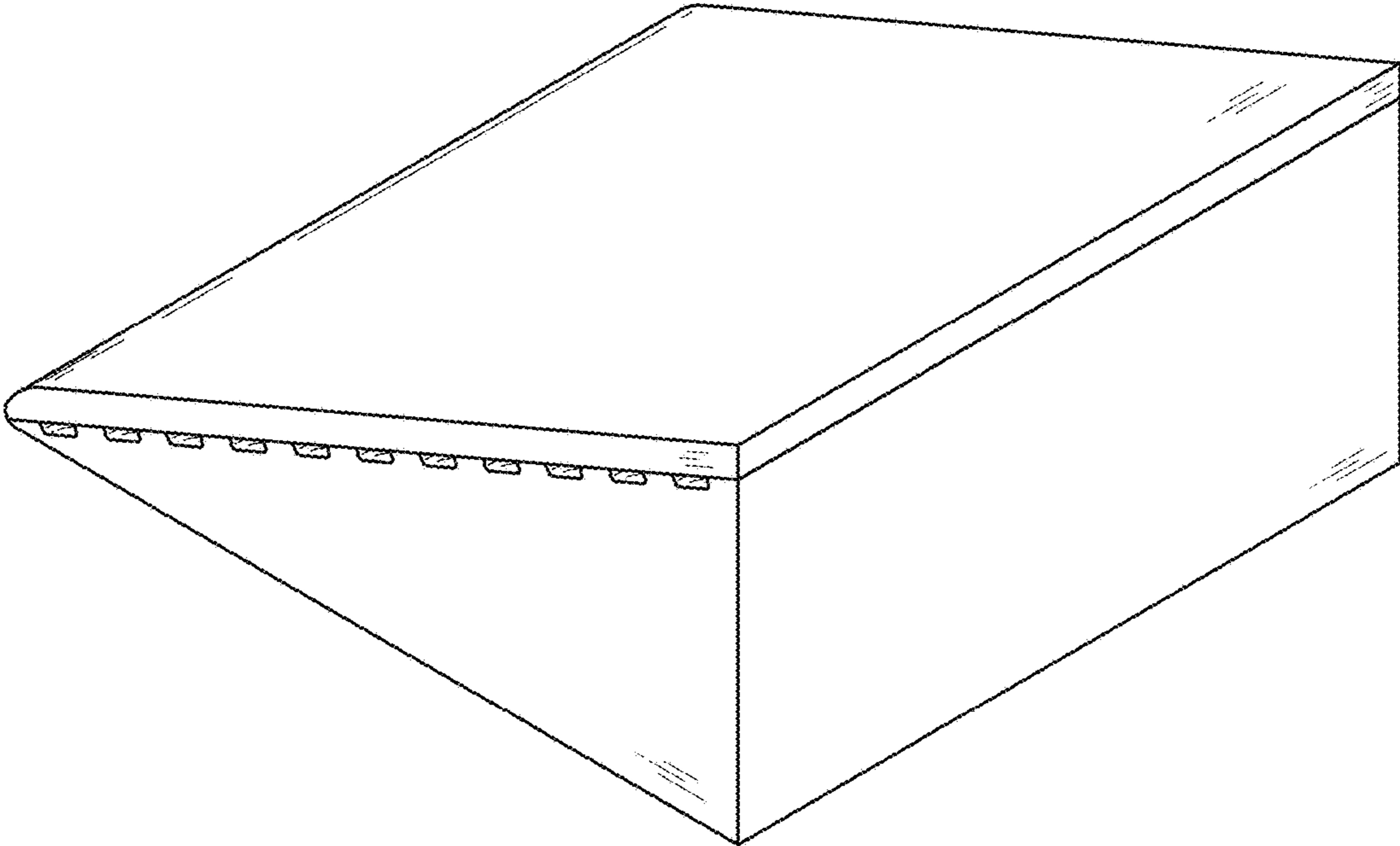


FIG. 1



FIG. 2



FIG. 3

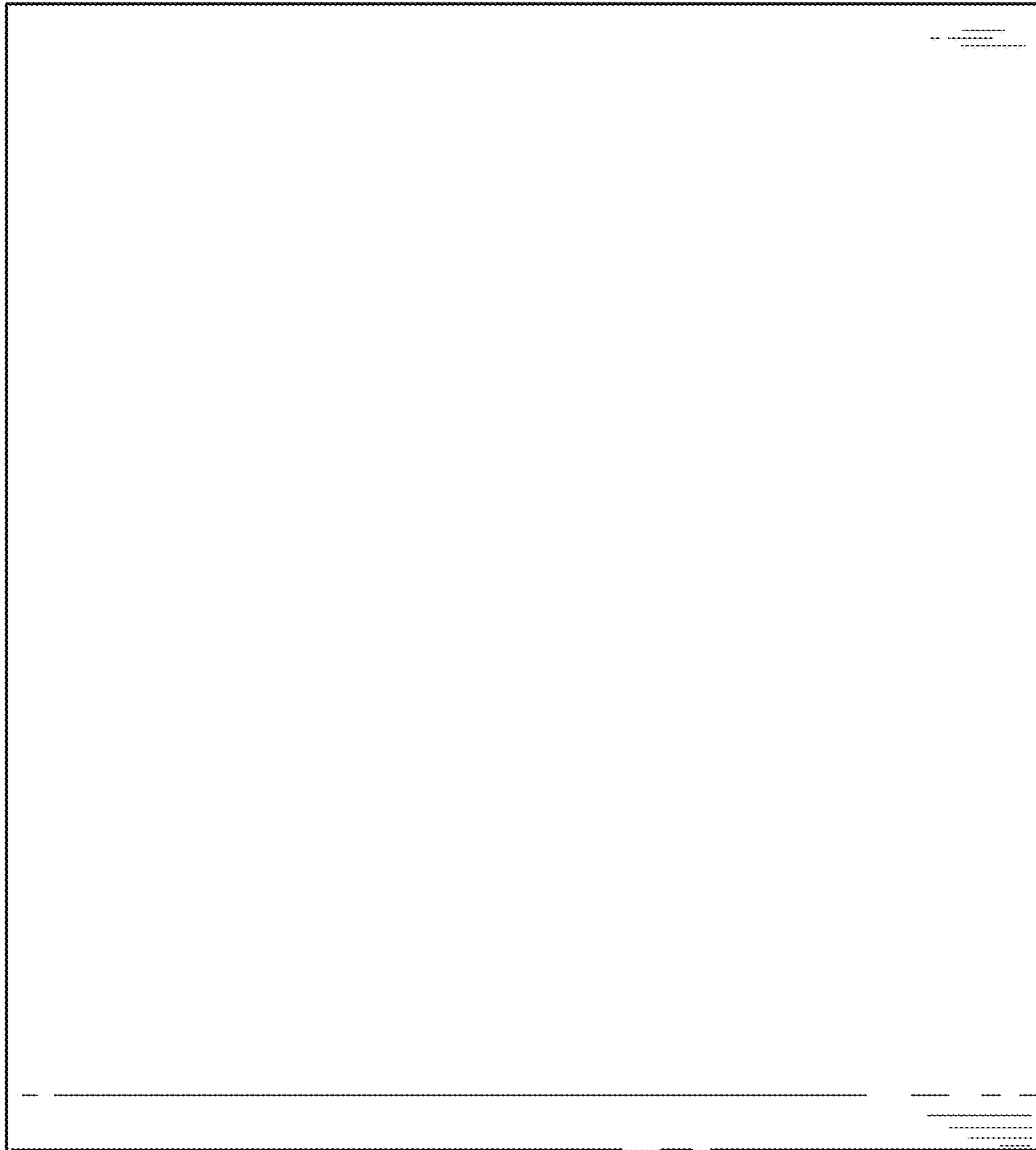


FIG. 4

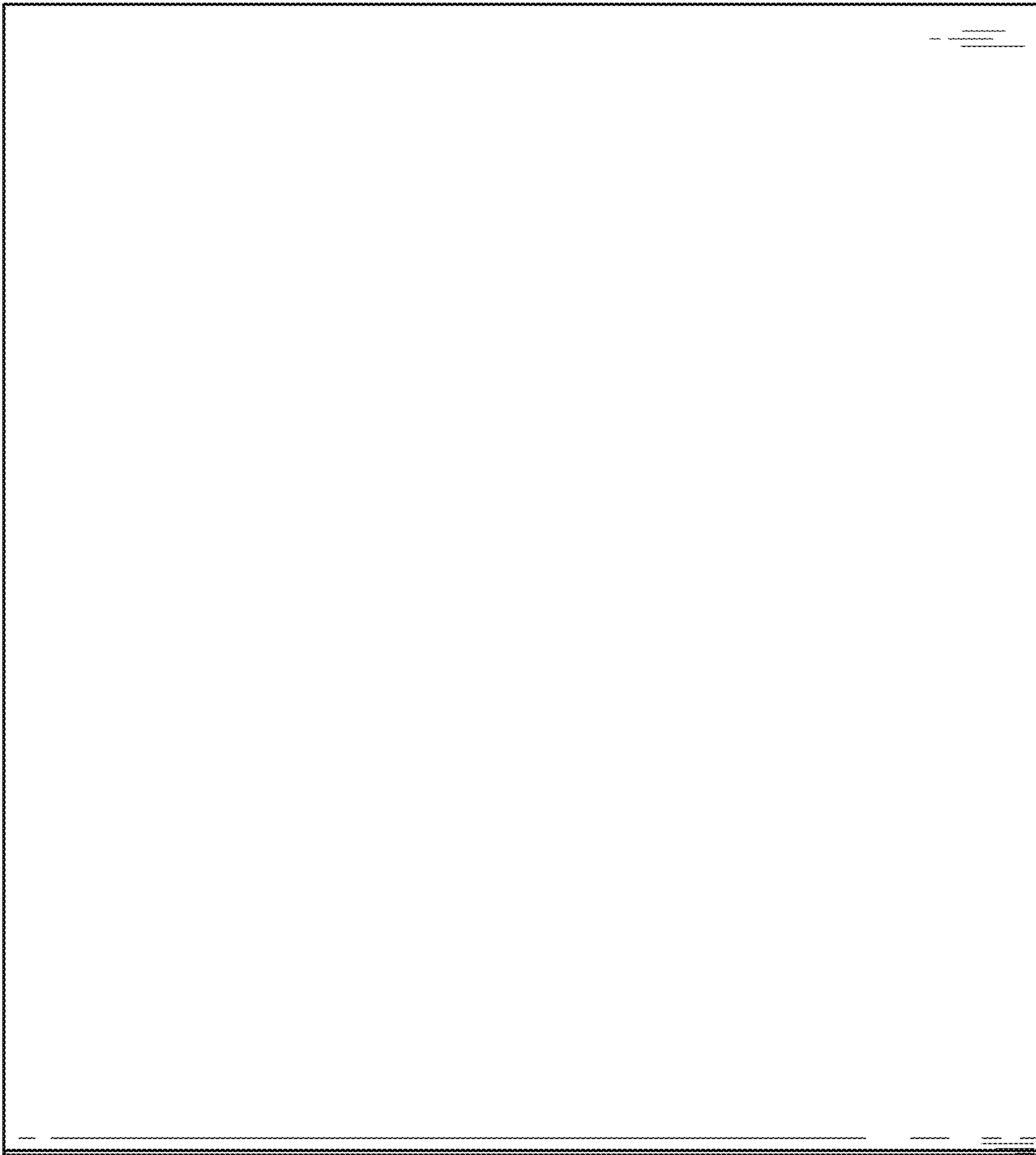


FIG. 5

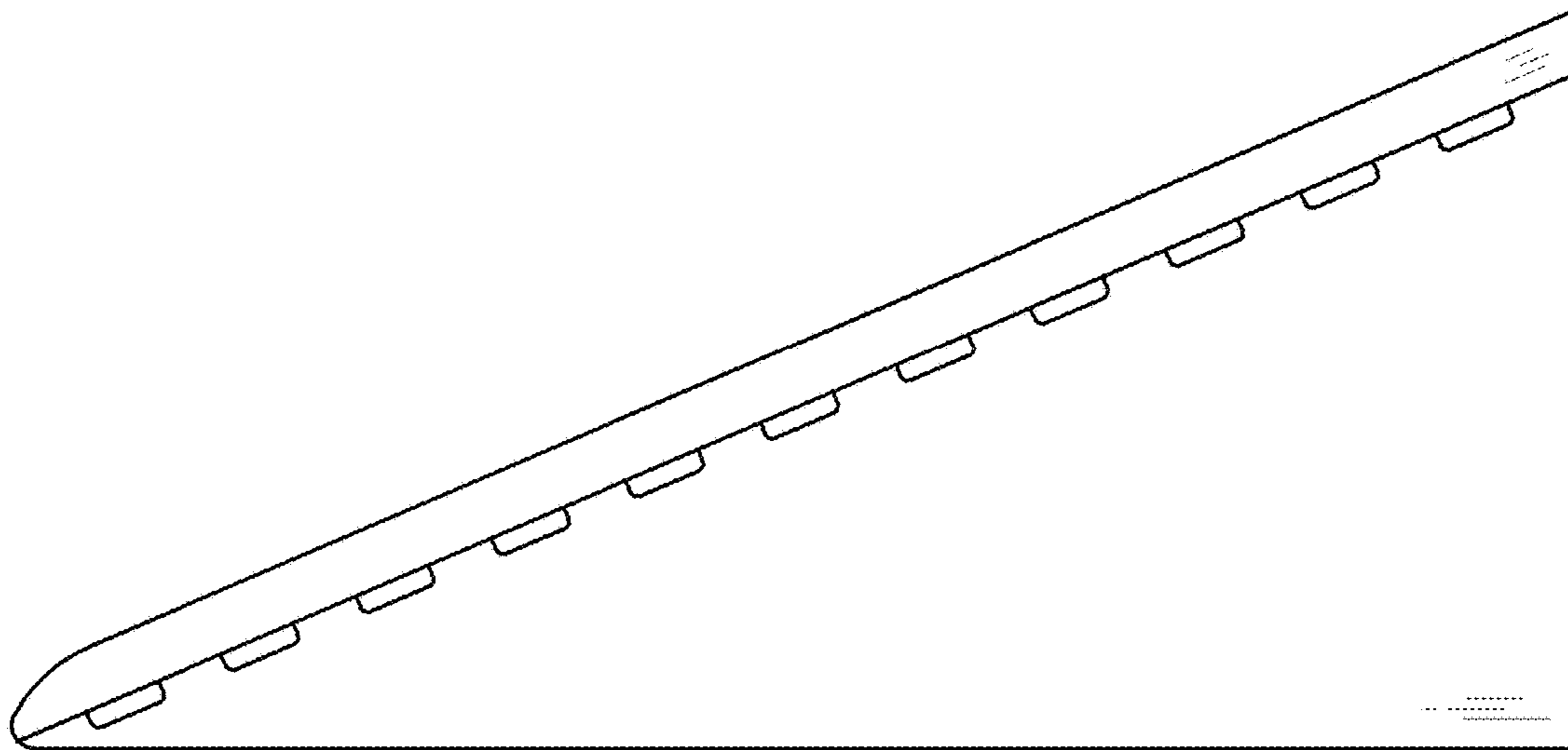


FIG. 6

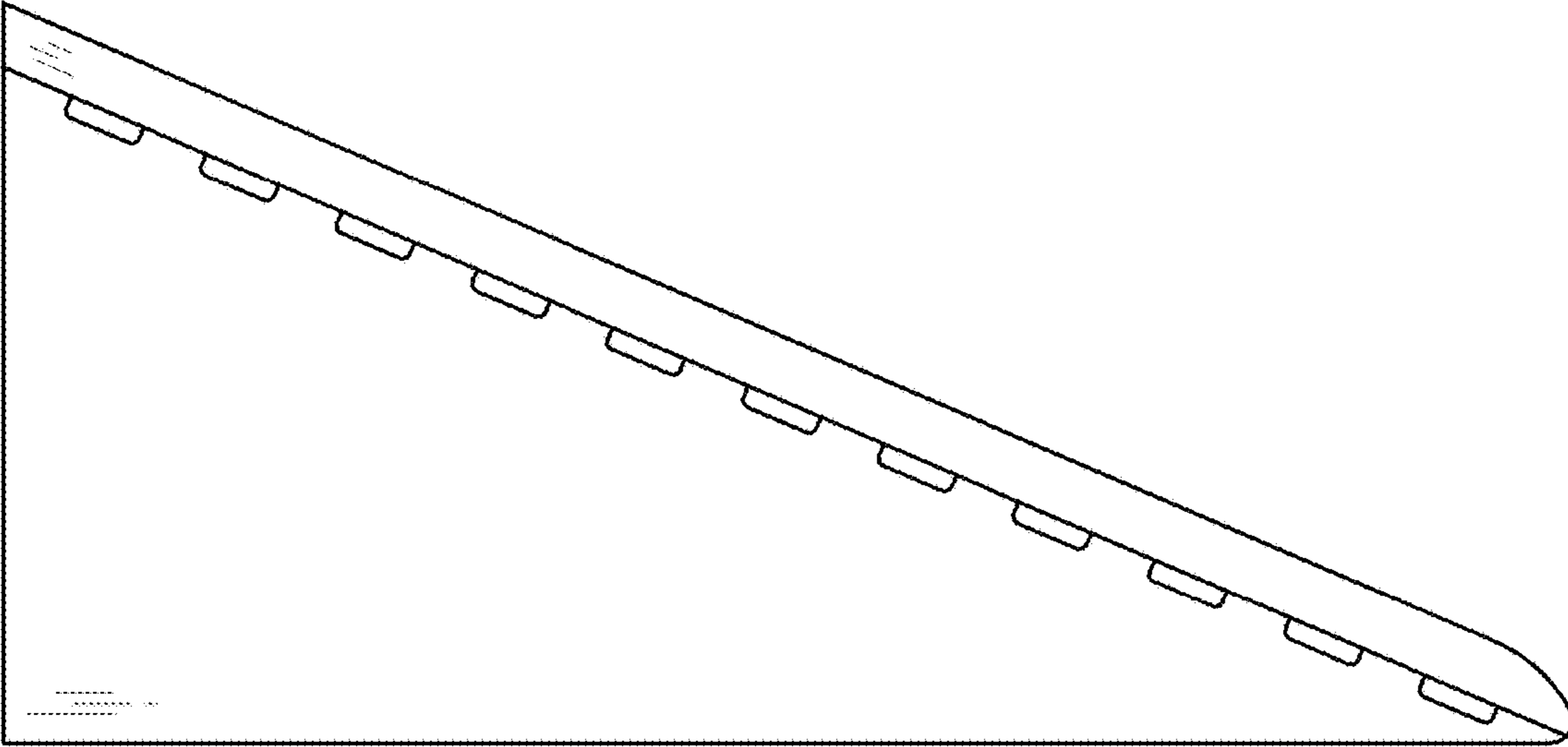


FIG. 7