



US00D805321S

(12) **United States Design Patent** (10) **Patent No.:** **US D805,321 S**
Aliwalas (45) **Date of Patent:** **** Dec. 19, 2017**

(54) **WALL MOUNTED DESK WITH STORAGE**
(71) Applicant: **Eugene Edward Aliwalas**, Delta (CA)
(72) Inventor: **Eugene Edward Aliwalas**, Delta (CA)
(73) Assignee: **Prepac Manufacturing Ltd.**, Delta (CA)

(**) Term: **15 Years**

(21) Appl. No.: **29/552,014**

(22) Filed: **Jan. 19, 2016**

(51) **LOC (10) Cl.** **06-04**

(52) **U.S. Cl.**
USPC **D6/555**

(58) **Field of Classification Search**
USPC D6/512, 515, 553, 555, 567, 569, 570,
D6/571; 211/13.1, 50, 59.4, 87.01, 88.02,
211/26.1, 126.6, 126.7, 126.12-126.16,
211/134, 135, 178, 188, 149, 150, 153;
221/22, 33, 45, 92, 282, 283; 312/114,
312/123, 126, 128-129, 136, 204, 231,
312/234, 242, 245
CPC A47B 46/00; A47B 5/00; A47B 97/00;
A47B 2097/003; A47B 2097/005; A47B
2200/0078; A47B 2210/06; A47B
47/0091

See application file for complete search history.

(56) **References Cited**

U.S. PATENT DOCUMENTS

D293,403 S * 12/1987 Umanoff D6/555
5,460,101 A * 10/1995 Garbutt, Sr. A47B 5/04
108/40

D395,185 S * 6/1998 Neufeld D6/555
D434,578 S * 12/2000 Goza D6/642
D435,361 S * 12/2000 Goza D6/656.15
D440,424 S * 4/2001 Goza D6/654.1
D545,099 S * 6/2007 Fernandez, Jr. D6/524
D549,025 S * 8/2007 Van Alstyne D6/555
D632,117 S * 2/2011 Gibbs D6/555

* cited by examiner

Primary Examiner — Wan Laymon

Assistant Examiner — Mark Booker

(74) *Attorney, Agent, or Firm* — Cameron IP

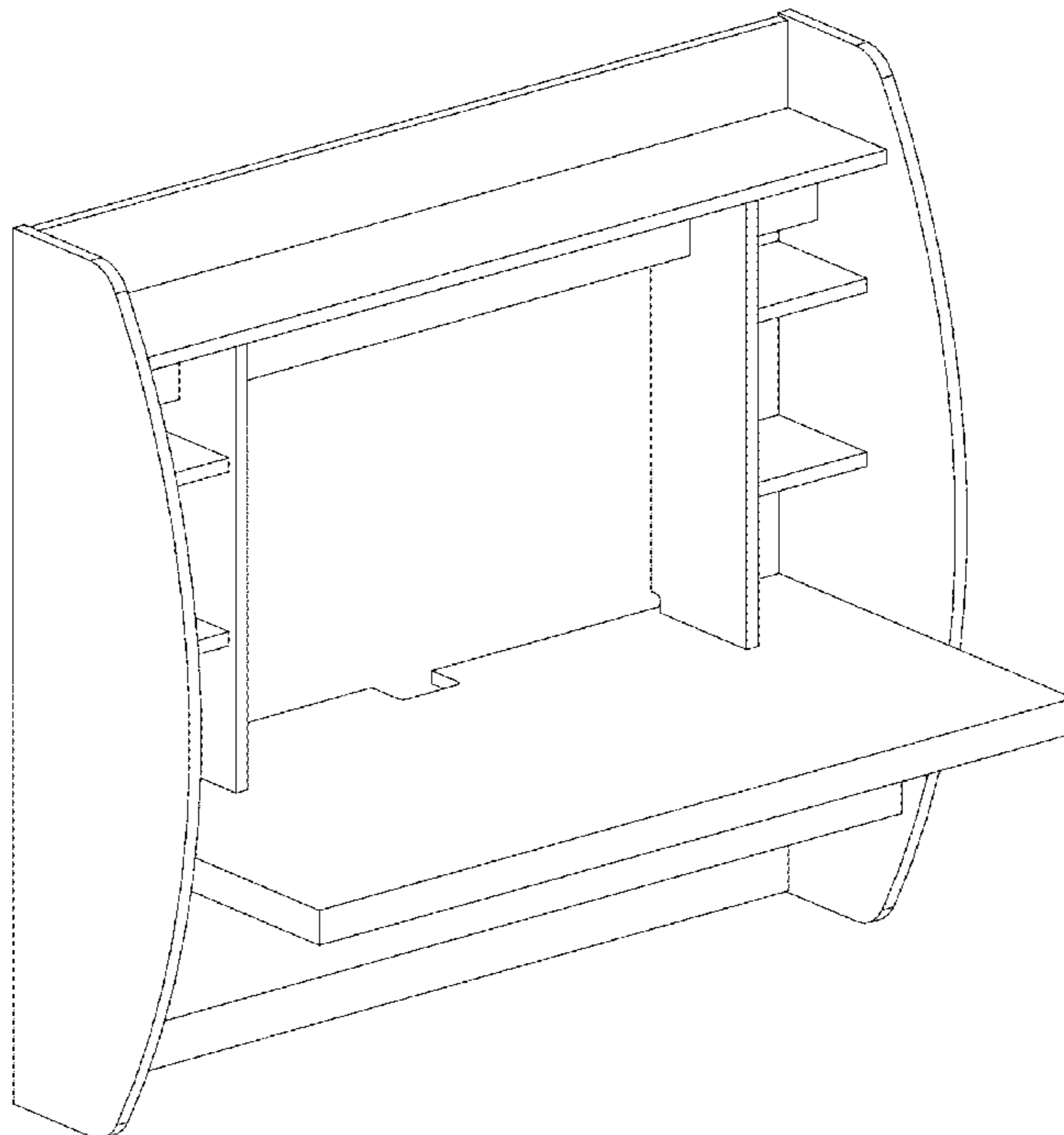
(57) **CLAIM**

The ornamental design for a wall mounted desk with storage, as shown and described.

DESCRIPTION

FIG. 1 is a top perspective view of a wall mounted desk with storage showing the new design;
FIG. 2 is a bottom perspective view thereof;
FIG. 3 is a rear perspective view thereof;
FIG. 4 is a front elevational view thereof;
FIG. 5 is a rear elevational view thereof;
FIG. 6 is a side elevational view thereof, the other side being a mirror image;
FIG. 7 is a top plan view thereof;
FIG. 8 is a bottom plan view thereof; and,
FIG. 9 is an exploded perspective view thereof.
The broken lines shown in the figures represent portions of the wall mounted desk with storage that form no part of the claimed design.

1 Claim, 9 Drawing Sheets



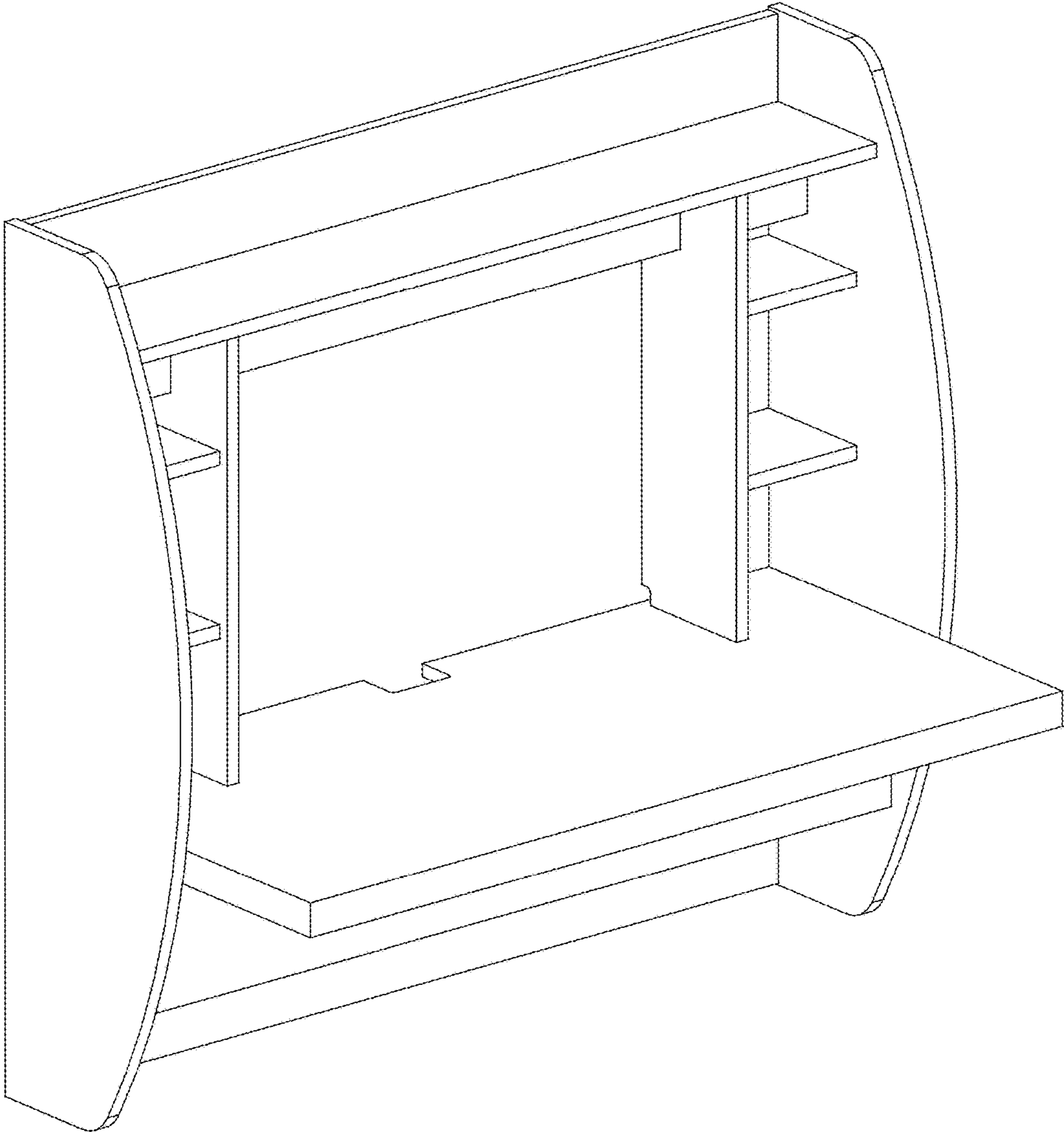


FIG.1

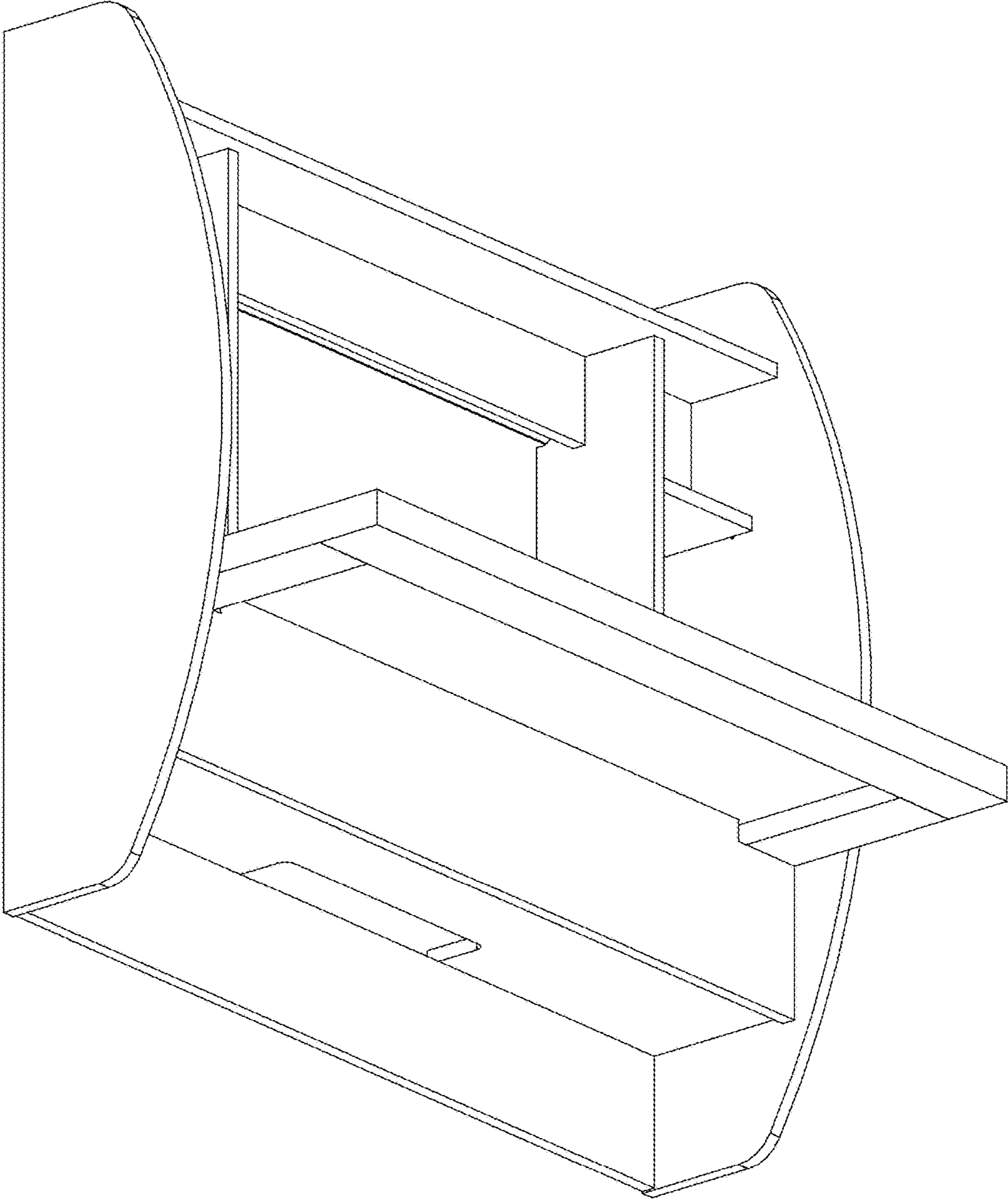


FIG.2

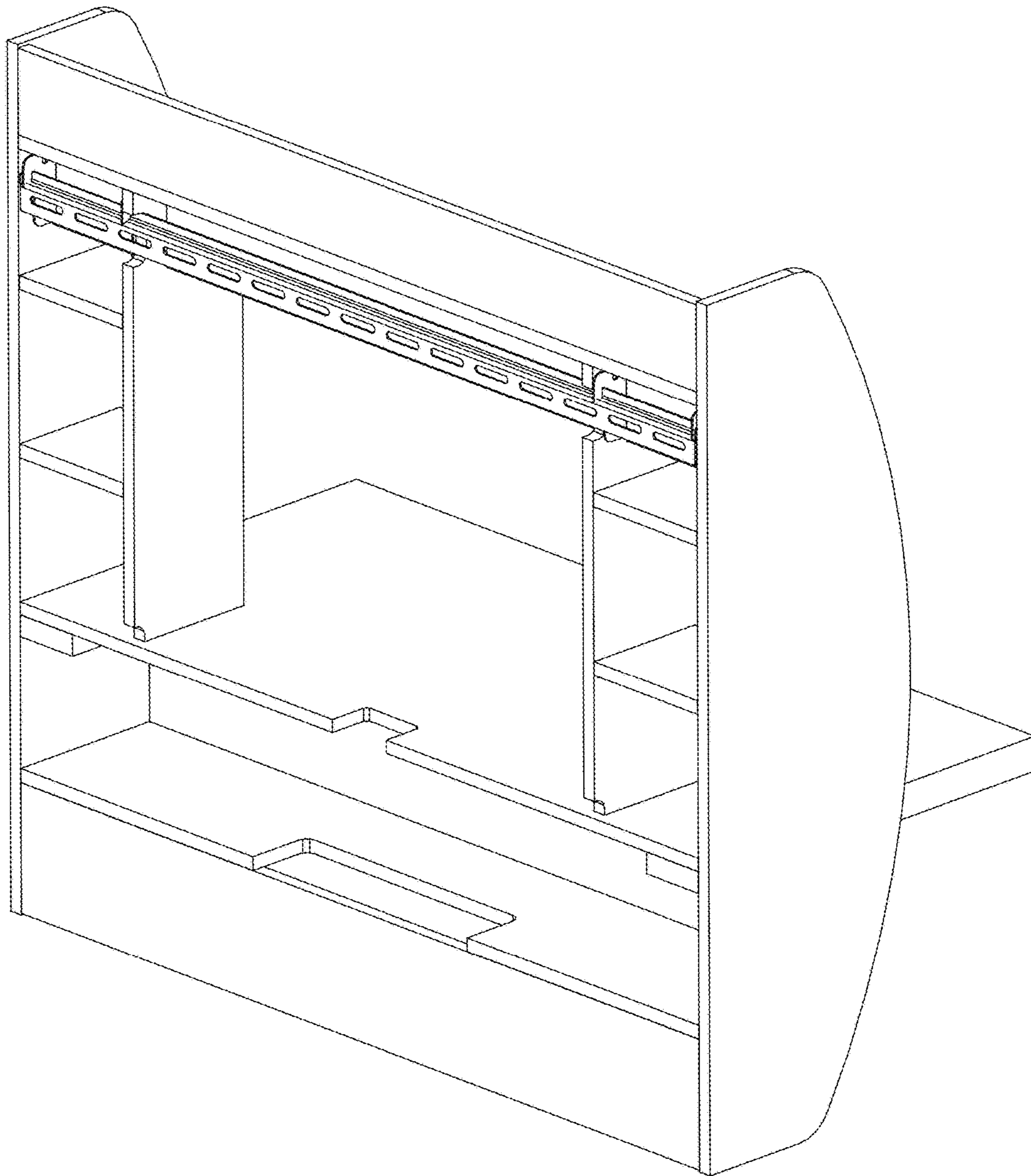


FIG.3

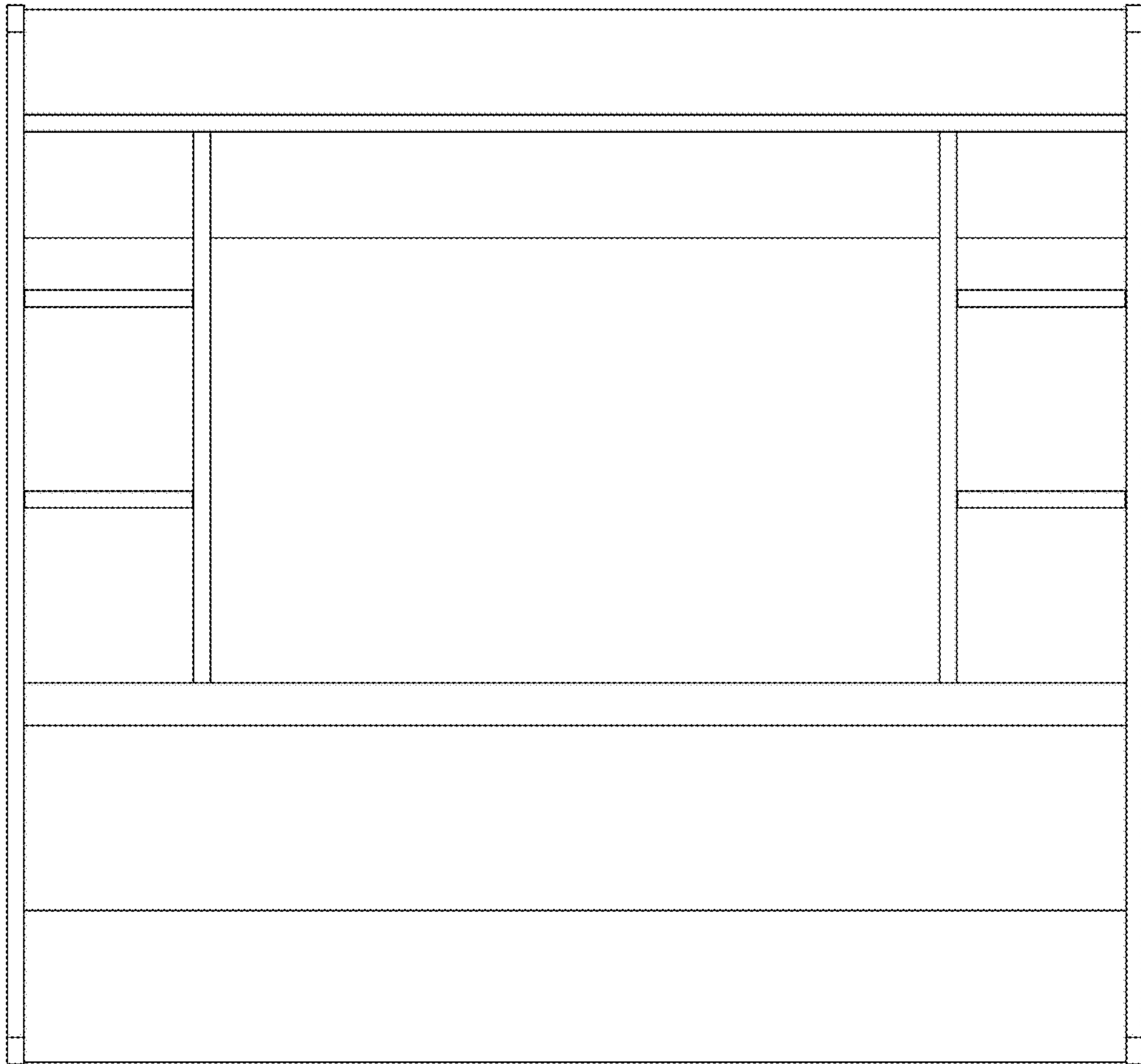


FIG. 4

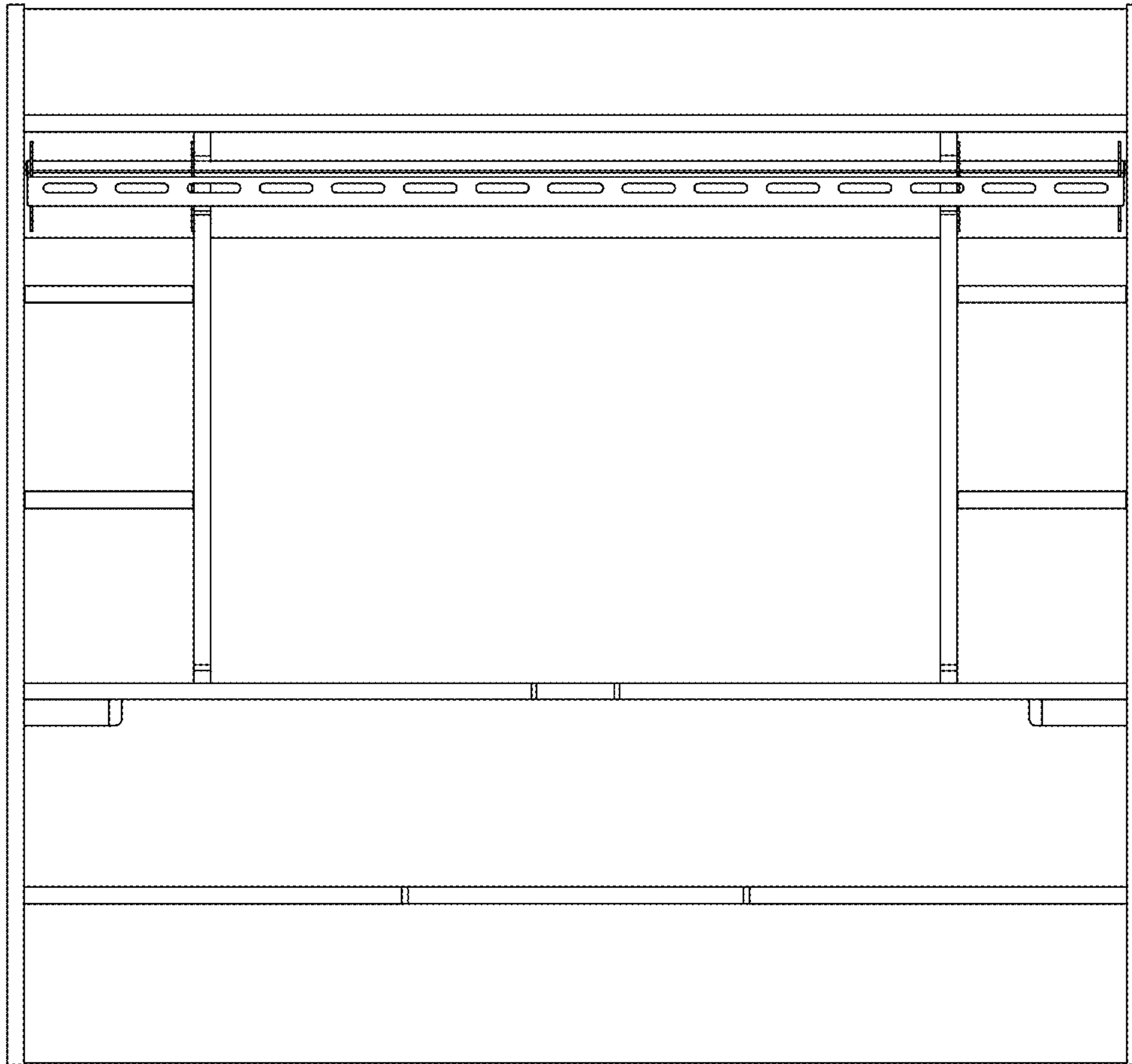


FIG.5

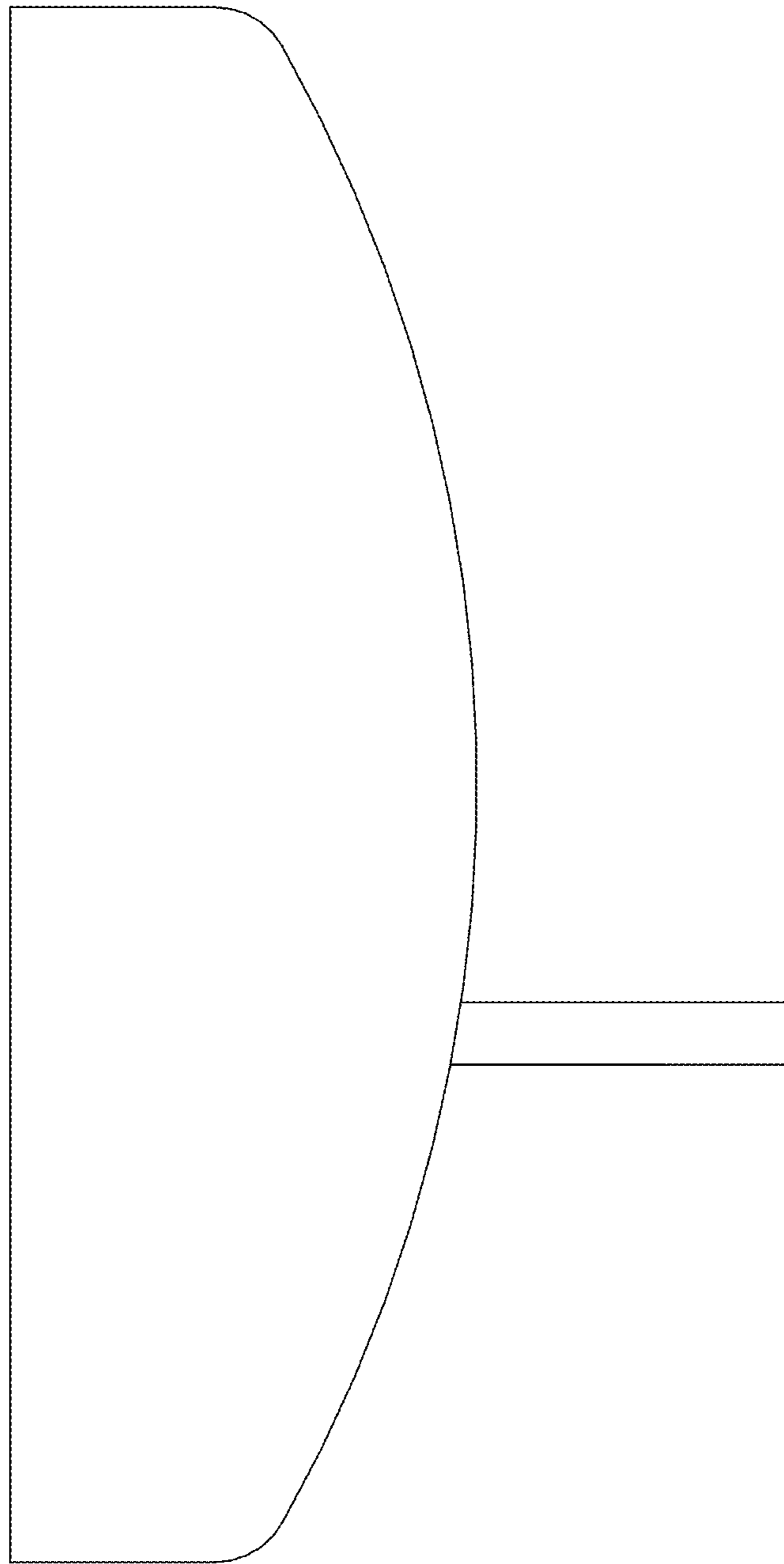


FIG.6

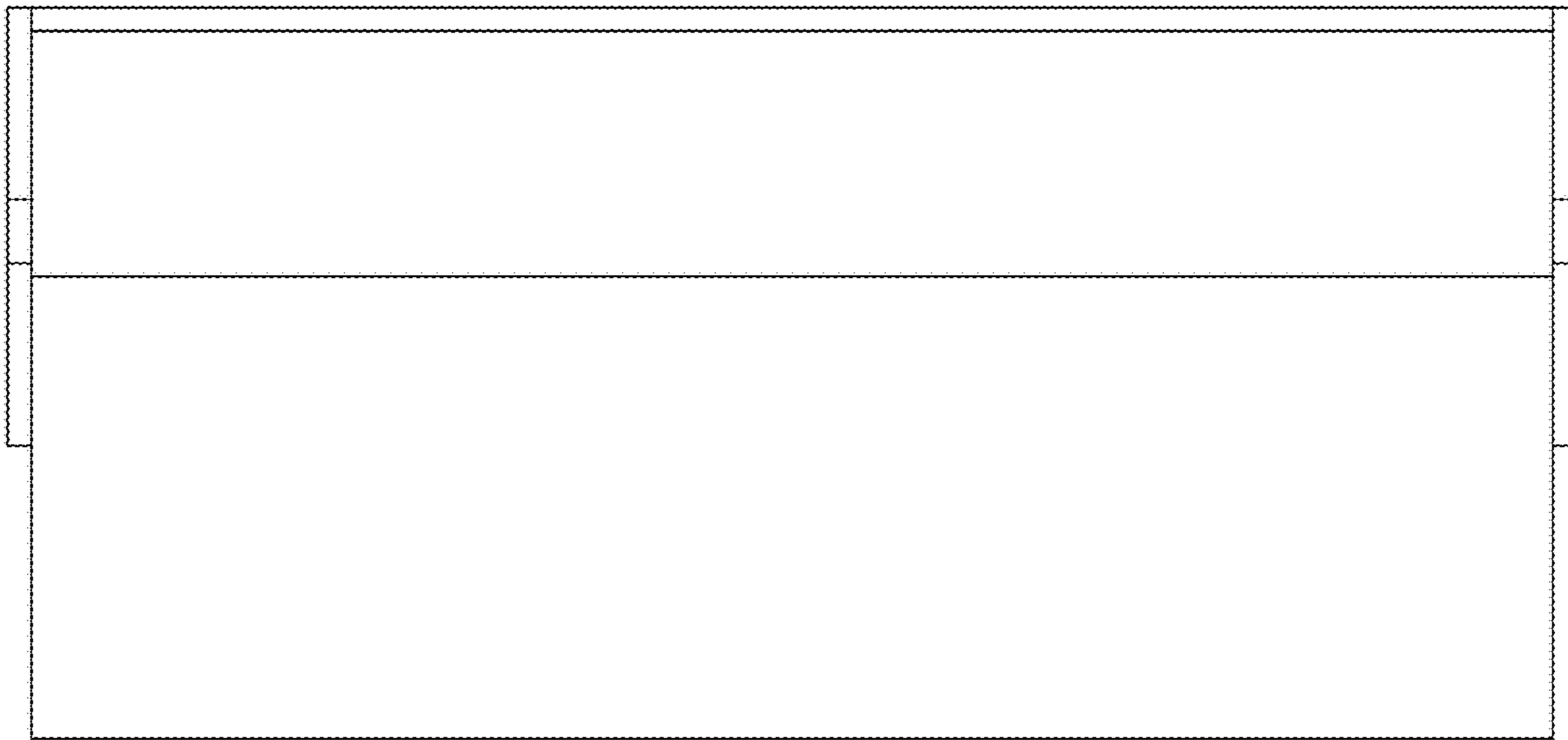


FIG.7

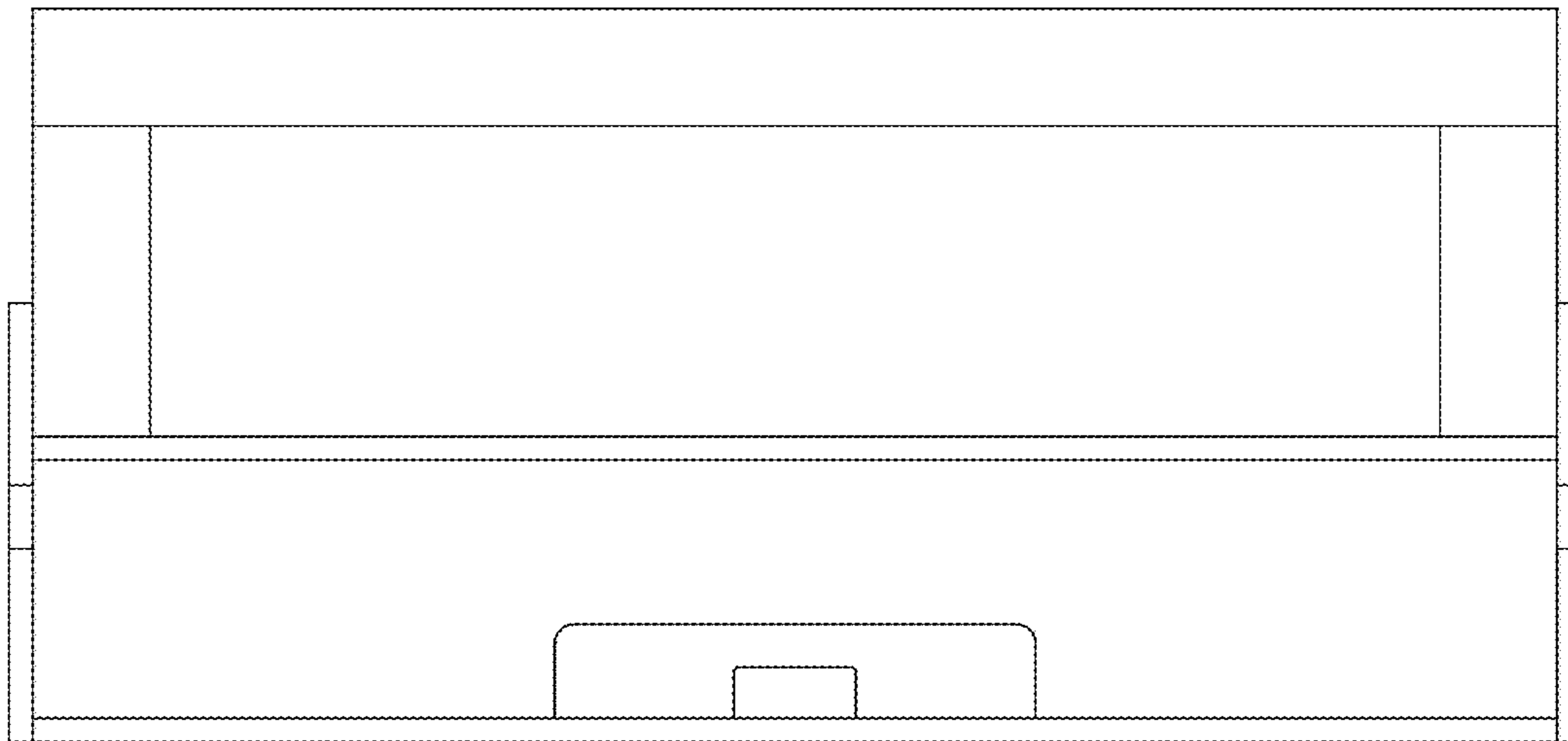


FIG.8

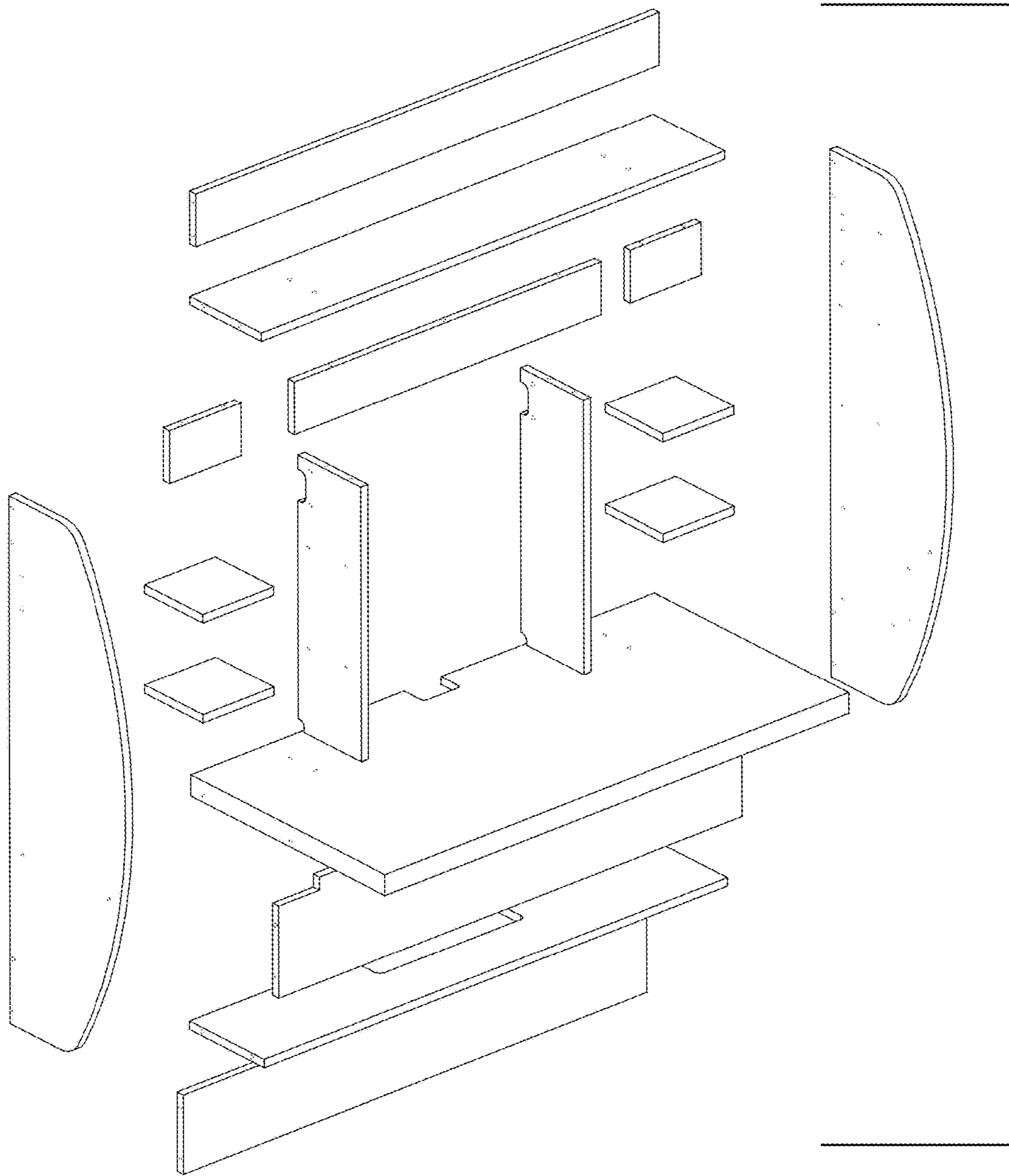


FIG.9