



US00D805320S

(12) **United States Design Patent** (10) **Patent No.:** **US D805,320 S**
Kwiatkowski et al. (45) **Date of Patent:** **** Dec. 19, 2017**

(54) **SUCTION BASKET**
(71) Applicants: **Neil Kwiatkowski**, Queens, NY (US);
Linden Evans, Brooklyn, NY (US);
Daniel Huang, Taipei (TW)
(72) Inventors: **Neil Kwiatkowski**, Queens, NY (US);
Linden Evans, Brooklyn, NY (US);
Daniel Huang, Taipei (TW)
(73) Assignee: **HELEN OF TROY LIMITED**, St.
Michael (BB)
(**) Term: **15 Years**

D272,588 S * 2/1984 Shames D6/540
D278,295 S * 4/1985 Thompson D6/518
D338,793 S * 8/1993 Primeau D6/524
D345,067 S * 3/1994 Shafer D6/536
D345,068 S * 3/1994 Shafer D6/536
D377,028 S * 12/1996 Monday D15/90
D379,891 S * 6/1997 Hampshire D6/525
D388,993 S * 1/1998 Hampshire D6/567
5,947,272 A * 9/1999 Park A47K 5/02
206/77.1
6,082,573 A * 7/2000 Hofman A47K 3/281
220/480
D449,480 S * 10/2001 Snell D6/525
D449,752 S * 10/2001 Snell D6/537
D450,213 S * 11/2001 Snell D6/566
D472,750 S * 4/2003 Clucas D6/525

(Continued)

(21) Appl. No.: **29/591,363**

(22) Filed: **Jan. 19, 2017**

(51) **LOC (10) Cl.** **23-02**

(52) **U.S. Cl.**
USPC **D6/525**

(58) **Field of Classification Search**
USPC D6/525, 524, 536-537, 540, 566, 567,
D6/320, 533; 211/13.1, 74, 71.01, 86.01,
211/75, 88.01, 90.01, 90.03, 106, 119,
211/126.1, 133.5, 181.1, 134, 87.01;
D3/306; D32/55; D7/637;
248/206.2-206.3
CPC . A47K 1/09; A47K 1/08; A47K 3/281; A47K
3/004; A47K 5/03; A47K 7/024; A47K
2201/02; F16B 47/00; F16B 11/006;
A47B 96/022; A47B 95/008; A47B
96/024; A46B 2200/1006
See application file for complete search history.

(56) **References Cited**

U.S. PATENT DOCUMENTS

D86,837 S * 4/1932 Hirsch D6/540
D104,934 S * 6/1937 Whited D6/540
D255,732 S * 7/1980 Thomasson D6/540
D259,374 S * 6/1981 Crowe D6/540

OTHER PUBLICATIONS

Amazon.com, OXO good drips stronghold suction large basket, Jun. 28, 2017, <https://www.amazon.com/OXO-Grips-StrongHold-Suction-Basket/dp/B06WD39M1Z> (Year: 2017).*

Primary Examiner — David G Muller
Assistant Examiner — Nathan M Johnston

(57) **CLAIM**

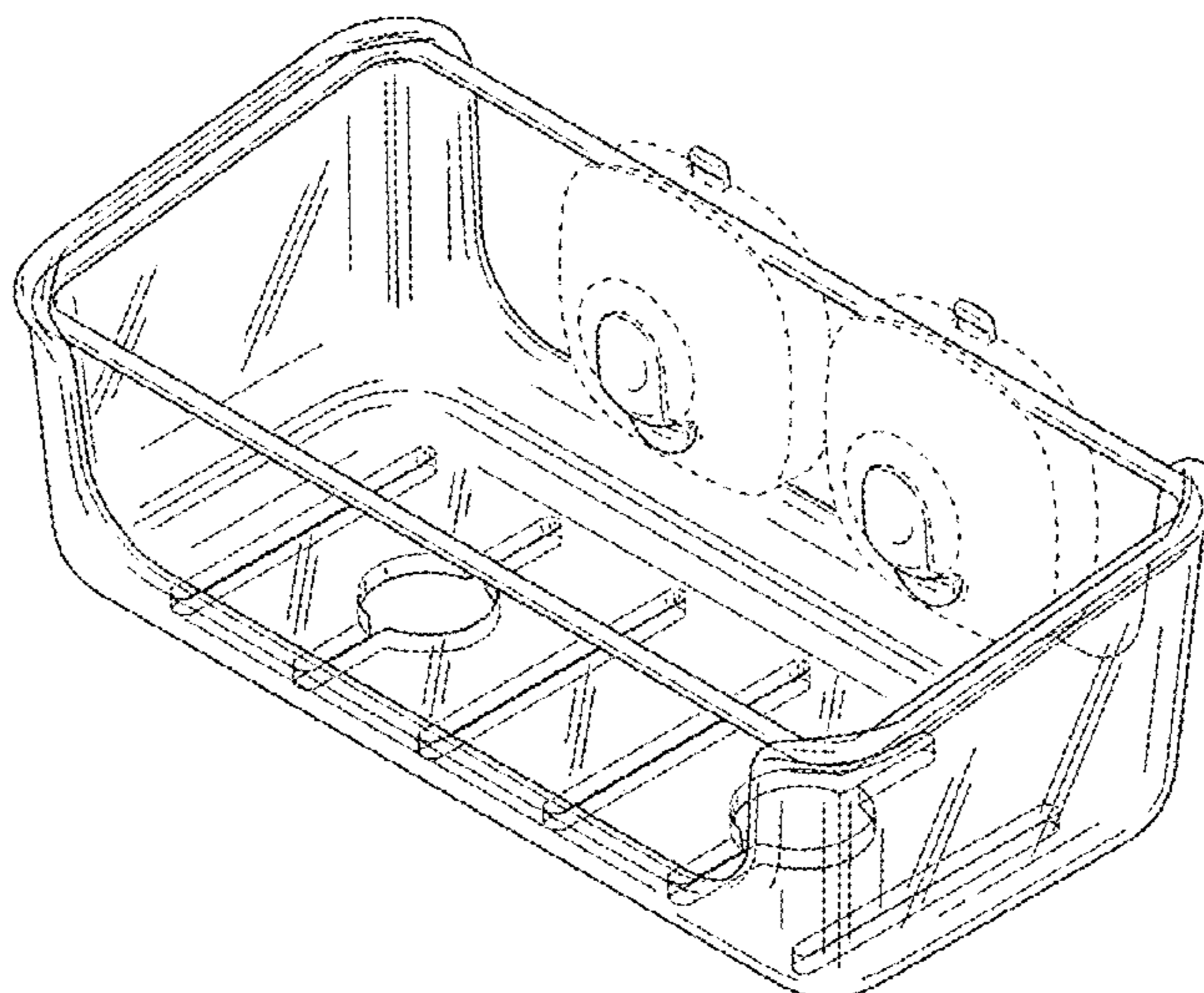
The ornamental design for a suction basket, as shown and described.

DESCRIPTION

FIG. 1 is a perspective view of the suction basket showing our new design;
FIG. 2 is a front elevation view thereof;
FIG. 3 is a rear elevation view thereof;
FIG. 4 is a side elevation view thereof;
FIG. 5 is a top plan view thereof; and,
FIG. 6 is a bottom plan view thereof.

The broken lines depict environment and form no part of the claimed design.

1 Claim, 6 Drawing Sheets



(56)

References Cited

U.S. PATENT DOCUMENTS

D481,894	S	*	11/2003	Hunt	D6/525
D496,816	S	*	10/2004	Hoernig	D6/540
D512,255	S	*	12/2005	Snell	D6/567
D532,235	S	*	11/2006	Snell	D6/567
D543,403	S	*	5/2007	Tau	D6/540
D554,417	S	*	11/2007	Thorsteinsson	D6/566
D554,419	S	*	11/2007	Thompson	D6/566
D559,024	S	*	1/2008	Tau	D6/566
D563,708	S	*	3/2008	Snell	D6/566
D608,599	S	*	1/2010	Goodman	D7/601
D612,648	S	*	3/2010	Guindi	D6/525
D616,255	S	*	5/2010	Goodman	D7/601
D634,121	S	*	3/2011	Goodman	D3/306
D642,841	S	*	8/2011	Dretzka	D6/553
D648,130	S	*	11/2011	Goodman	D3/306
D648,131	S	*	11/2011	Goodman	D3/306
D651,029	S	*	12/2011	Chen	D6/536
D701,397	S	*	3/2014	Snider	D6/566
D713,146	S	*	9/2014	Ghiorghie	D3/304
D747,101	S	*	1/2016	Goodman	D3/304
2007/0205167	A1	*	9/2007	Belokin	A47F 5/0018 211/75

* cited by examiner

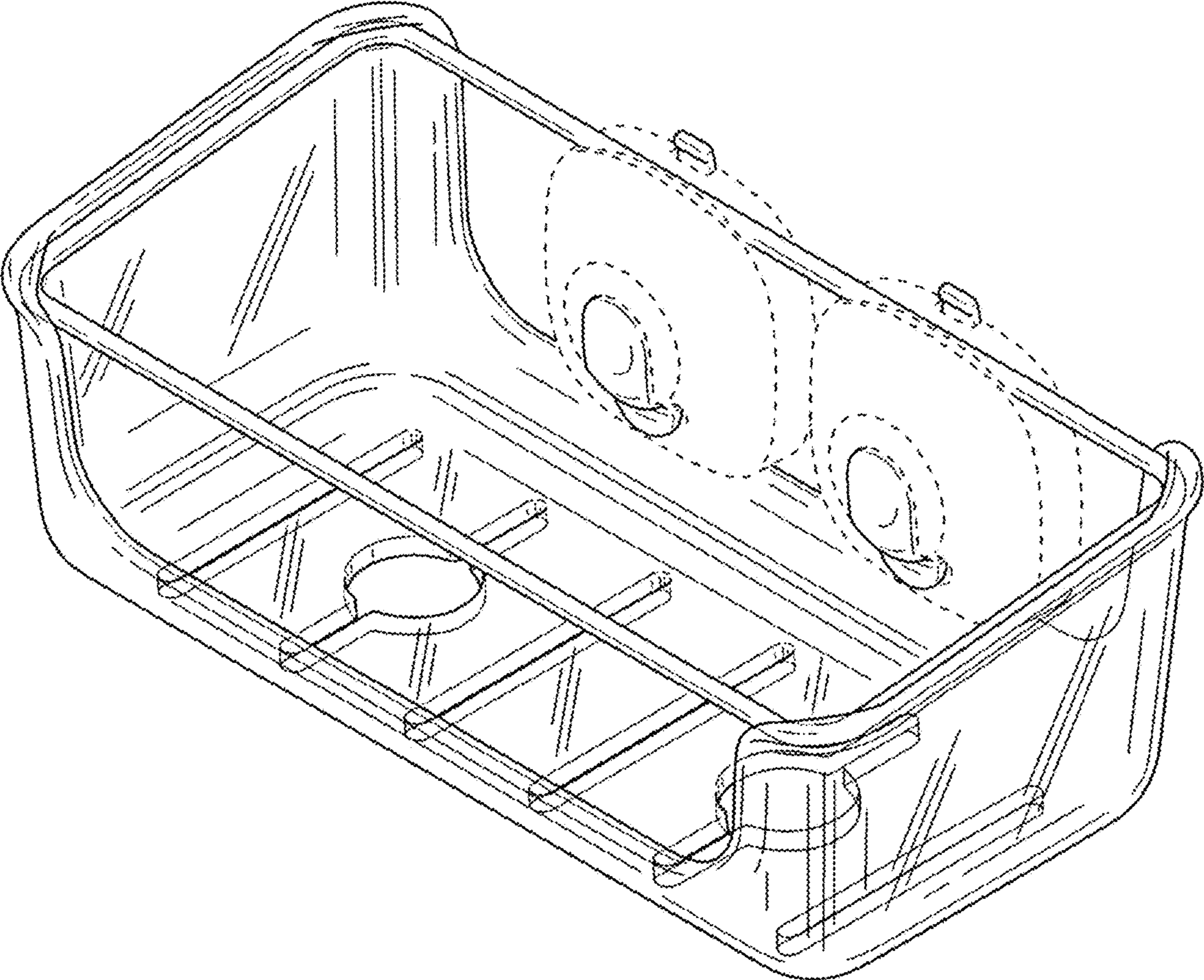


FIG. 1

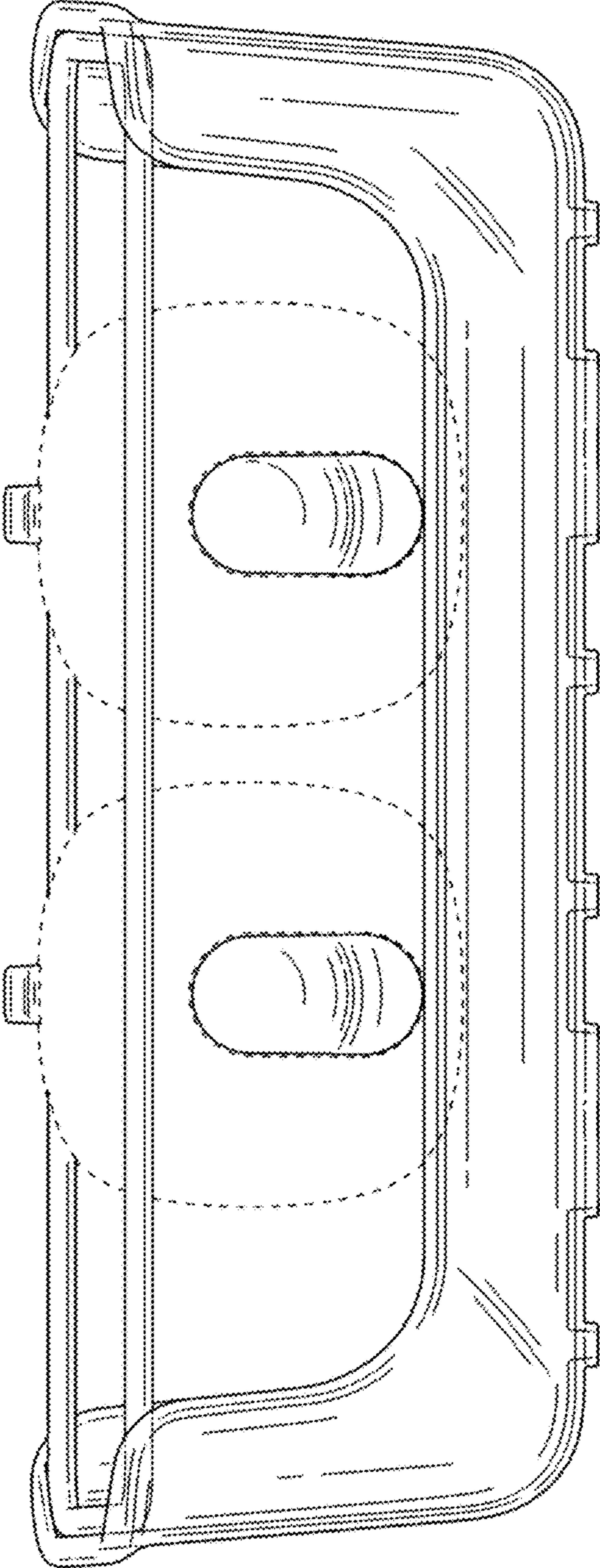


FIG. 2

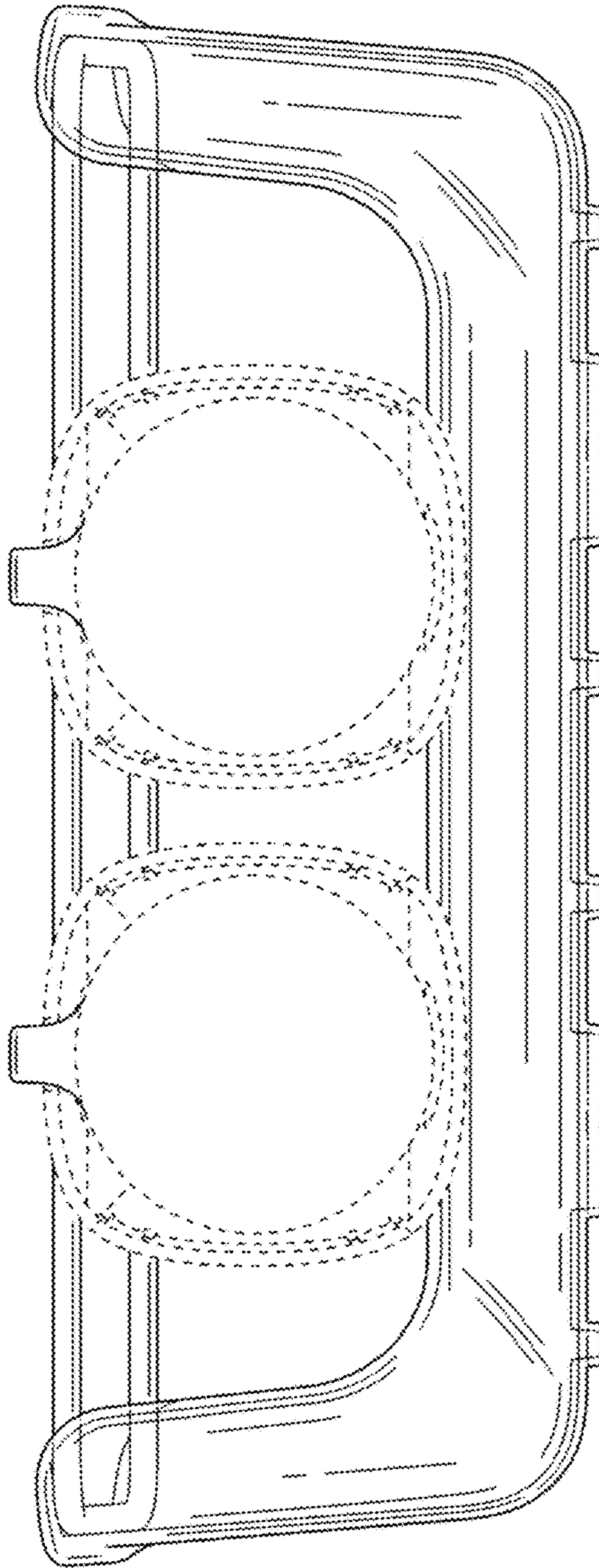


FIG. 3

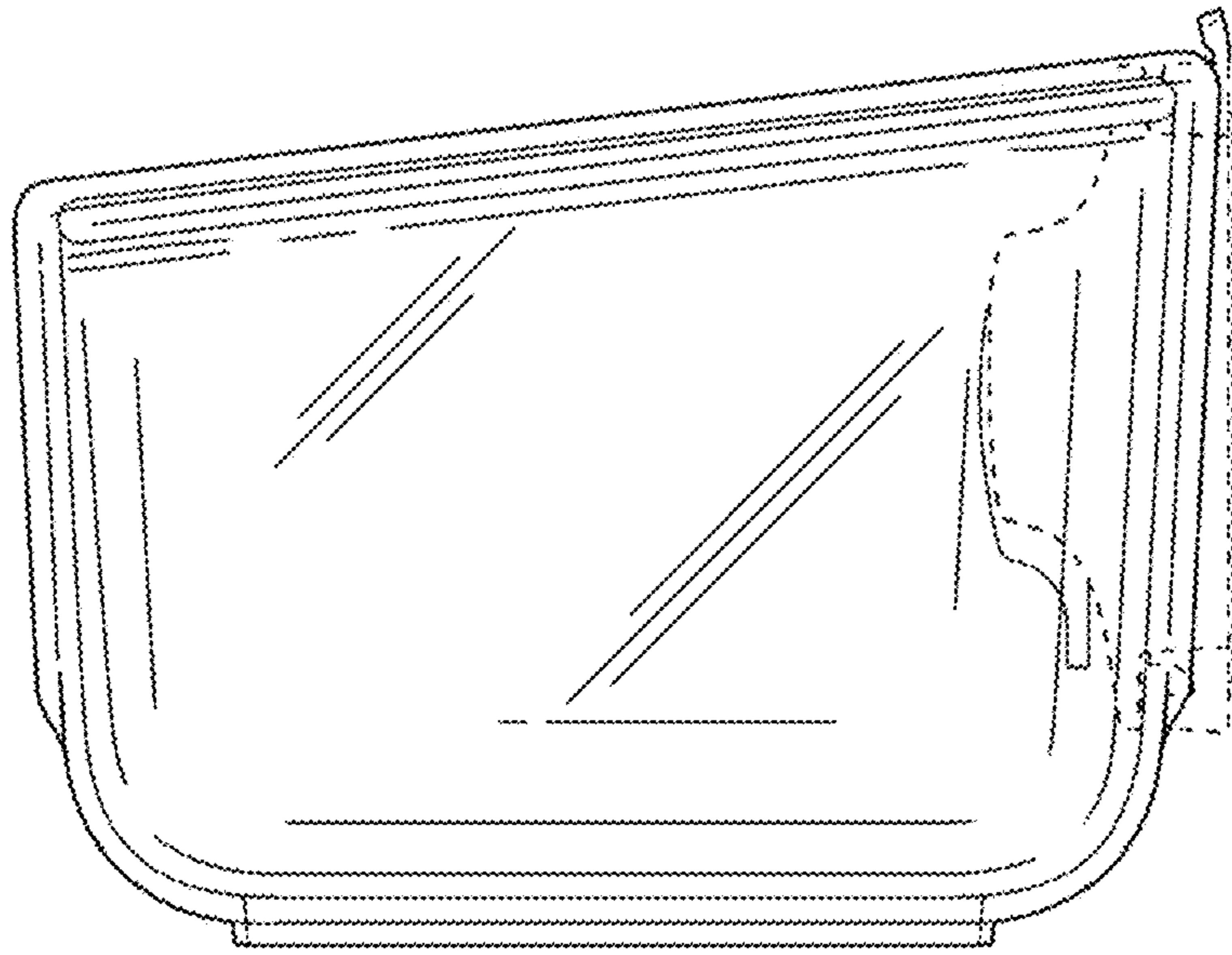


FIG. 4

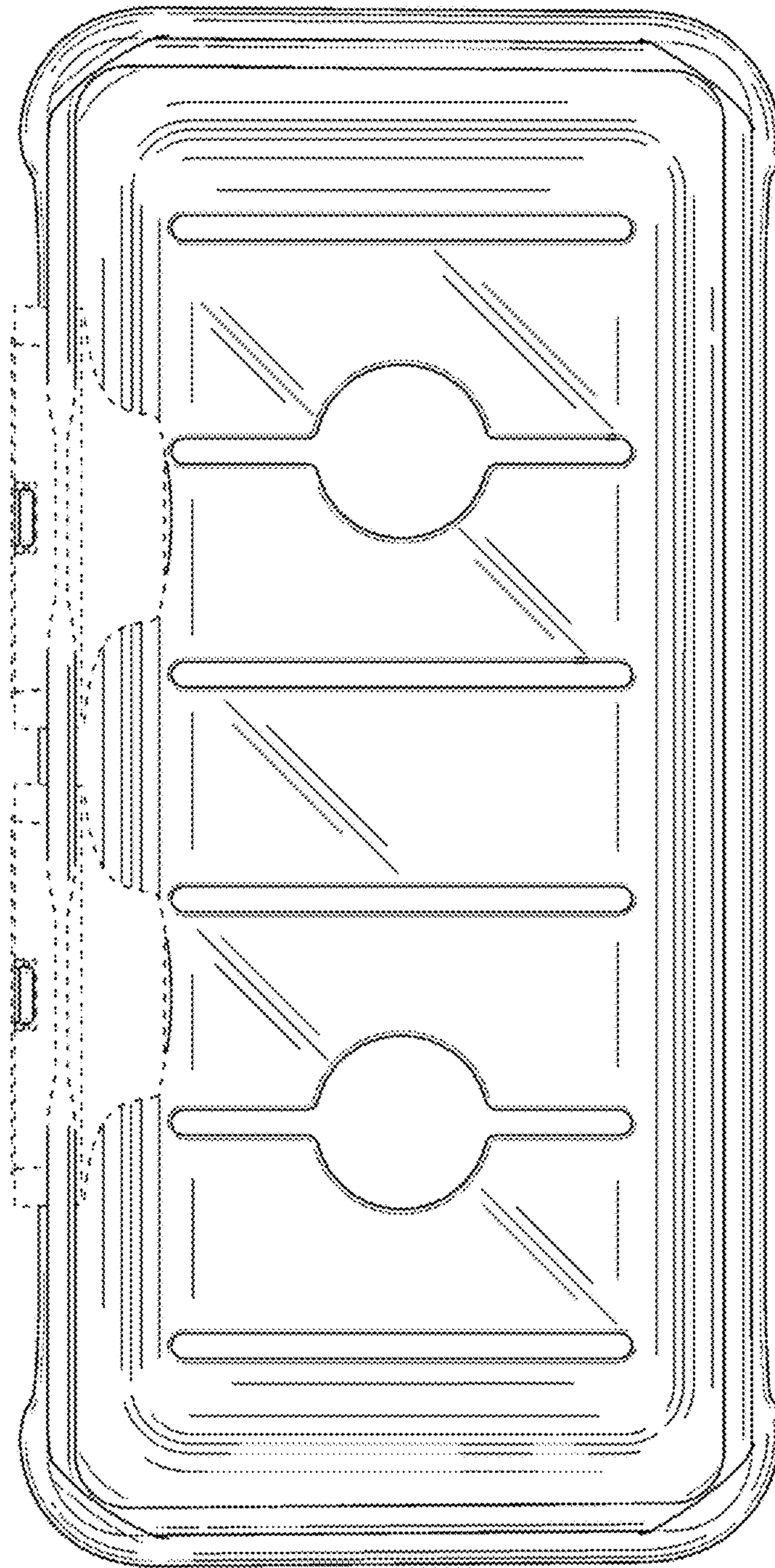


FIG. 5

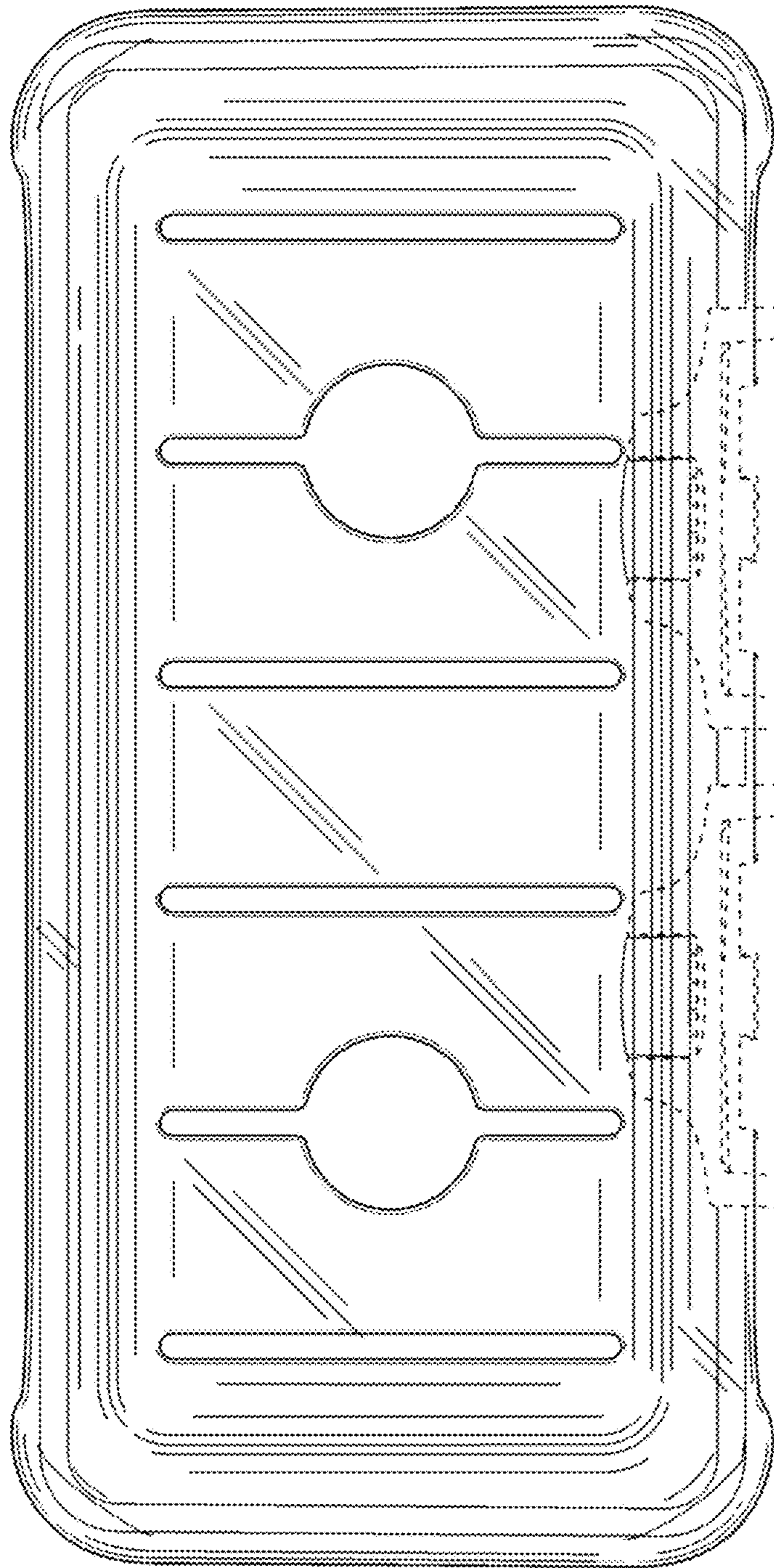


FIG. 6