



US00D805318S

(12) **United States Design Patent**  
**Umholtz et al.**

(10) **Patent No.:** **US D805,318 S**

(45) **Date of Patent:** **\*\* Dec. 19, 2017**

- (54) **SHOWER CADDY**
- (71) Applicants: **Mason Umholtz**, Brooklyn, NY (US);  
**Francois de Martrin-Donos**, Brooklyn, NY (US)
- (72) Inventors: **Mason Umholtz**, Brooklyn, NY (US);  
**Francois de Martrin-Donos**, Brooklyn, NY (US)
- (73) Assignee: **HELEN OF TROY LIMITED**, St. Michael (BB)

- D572,061 S \* 7/2008 Snider ..... A47K 3/281  
D6/525
- D603,198 S \* 11/2009 Guindi ..... A47K 3/281  
D6/525
- D632,513 S \* 2/2011 Cittadino ..... A47K 3/281  
D6/525
- D640,488 S \* 6/2011 Didehvar ..... D6/525
- D643,236 S \* 8/2011 Cittadino ..... D6/525
- D647,747 S \* 11/2011 Guindi ..... D6/525
- D651,837 S \* 1/2012 Yang ..... D6/525
- D677,089 S \* 3/2013 Tawil ..... D6/525

(Continued)

(\*\*) Term: **15 Years**

(21) Appl. No.: **29/590,147**

(22) Filed: **Jan. 7, 2017**

(51) **LOC (10) Cl.** ..... **23-02**

(52) **U.S. Cl.**  
USPC ..... **D6/525**

(58) **Field of Classification Search**  
USPC ..... D6/524-525, 566, 536, 540, 567, 570;  
211/13.1, 74, 71.01, 86.01, 75, 88.01,  
211/90.01, 90.03, 106, 119, 126.1, 133.5,  
211/181.1, 134  
CPC ..... A47B 1/00; A47B 45/00; A47B 57/00;  
A47B 57/26; A47B 96/02; A47B 96/021;  
B65D 21/086; B65D 25/04; A47K 3/281;  
E03C 1/264; D06F 57/12

See application file for complete search history.

(56) **References Cited**

**U.S. PATENT DOCUMENTS**

- D377,286 S \* 1/1997 Munoz ..... D6/525
- D387,595 S \* 12/1997 Whang ..... D6/525
- D564,257 S \* 3/2008 Yang ..... D6/525
- D564,271 S \* 3/2008 Snider ..... A47K 3/281  
D6/525
- D564,816 S \* 3/2008 Snider ..... A47K 3/281  
D6/525
- D568,657 S \* 5/2008 Snider ..... A47K 3/281  
D6/525

**OTHER PUBLICATIONS**

amazon.com, OXO Good Grips Aluminum 3 Tier Shower Caddy, Jul. 14, 2017, [https://www.amazon.com/OXO-Grips-Aluminum-Shower-Caddy/dp/B071WMZ72R/ref=sr\\_1\\_49?s=bedbath&ie=UTF8&qid=1508514111&sr=1-49&keywords=shower+caddy](https://www.amazon.com/OXO-Grips-Aluminum-Shower-Caddy/dp/B071WMZ72R/ref=sr_1_49?s=bedbath&ie=UTF8&qid=1508514111&sr=1-49&keywords=shower+caddy) (Year: 2017).\*

(Continued)

*Primary Examiner* — David G Muller  
*Assistant Examiner* — Nathan M Johnston

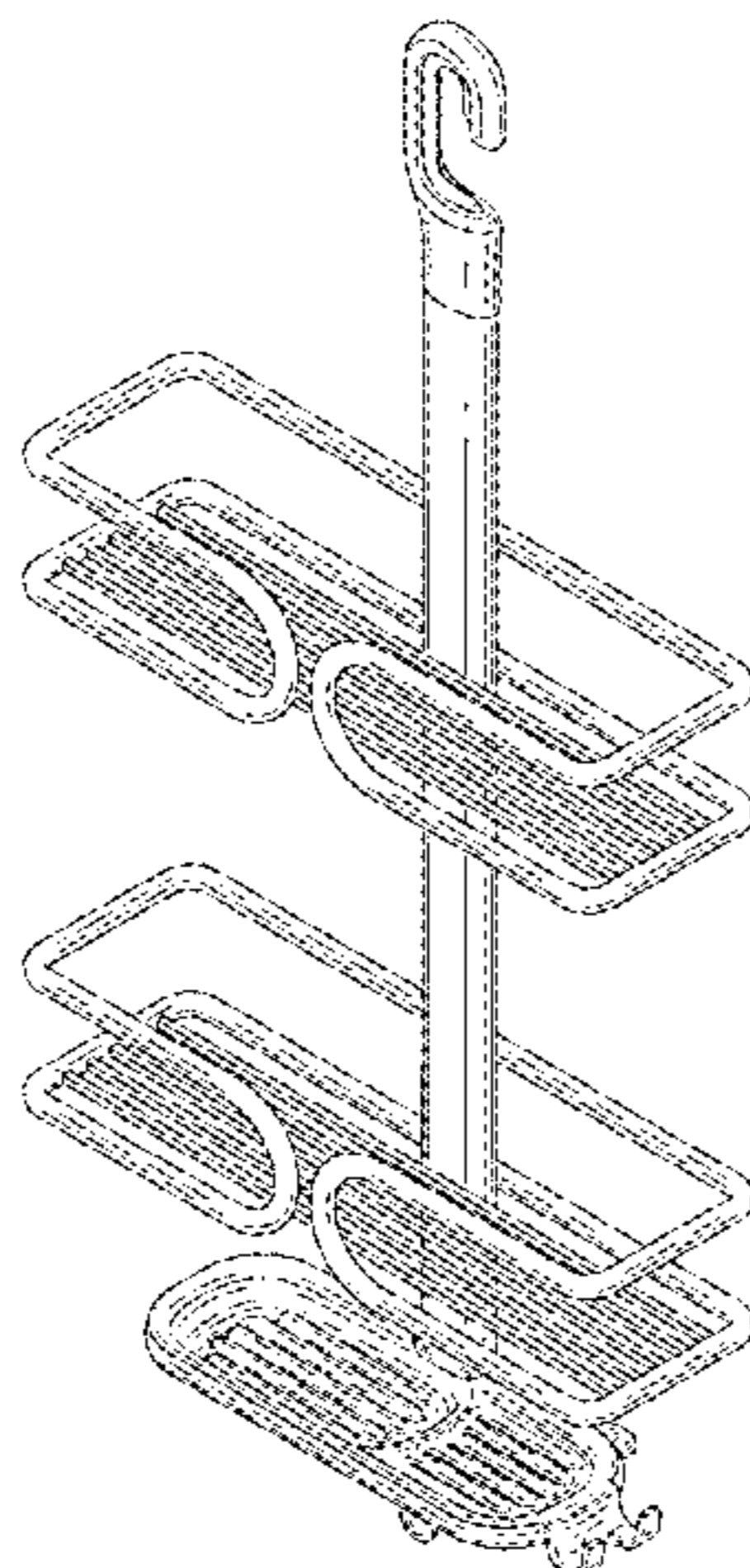
(57) **CLAIM**

The ornamental design for a shower caddy, as shown, and described.

**DESCRIPTION**

FIG. 1 is a perspective view of the shower caddy showing our new design;  
FIG. 2 is a front elevation view thereof;  
FIG. 3 is a rear elevation view thereof;  
FIG. 4 is a left side elevation view thereof;  
FIG. 5 is a right side elevation view thereof;  
FIG. 6 is a top plan view thereof; and,  
FIG. 7 is a bottom plan view thereof.  
The broken lines depict environment and form no part of the claimed design.

**1 Claim, 7 Drawing Sheets**



(56)

**References Cited**

U.S. PATENT DOCUMENTS

D714,571	S	*	10/2014	Walker	.....	D6/525
D718,071	S	*	11/2014	Snider	.....	D6/525
D718,554	S	*	12/2014	Snider	.....	D6/525
D723,834	S	*	3/2015	Tawil	.....	D6/525
D727,060	S	*	4/2015	Yang	.....	D6/525
D728,260	S	*	5/2015	Snider	.....	D6/525
D769,641	S	*	10/2016	Yang	.....	D6/525
D770,197	S	*	11/2016	Yang	.....	D6/525
2014/0124598	A1	*	5/2014	Vaccaro	.....	A47K 3/281 239/289
2014/0224754	A1	*	8/2014	Baines	.....	A47K 3/281 211/119.009
2015/0257533	A1	*	9/2015	Yang	.....	A47K 1/09 220/4.01
2017/0215653	A1	*	8/2017	Engell	.....	A47B 55/02

OTHER PUBLICATIONS

youtube.com, OXO Aluminum Shower Caddy, Aug. 2, 2017,  
<https://www.youtube.com/watch?v=kKh6ppEZh64> (Year: 2017).\*

\* cited by examiner

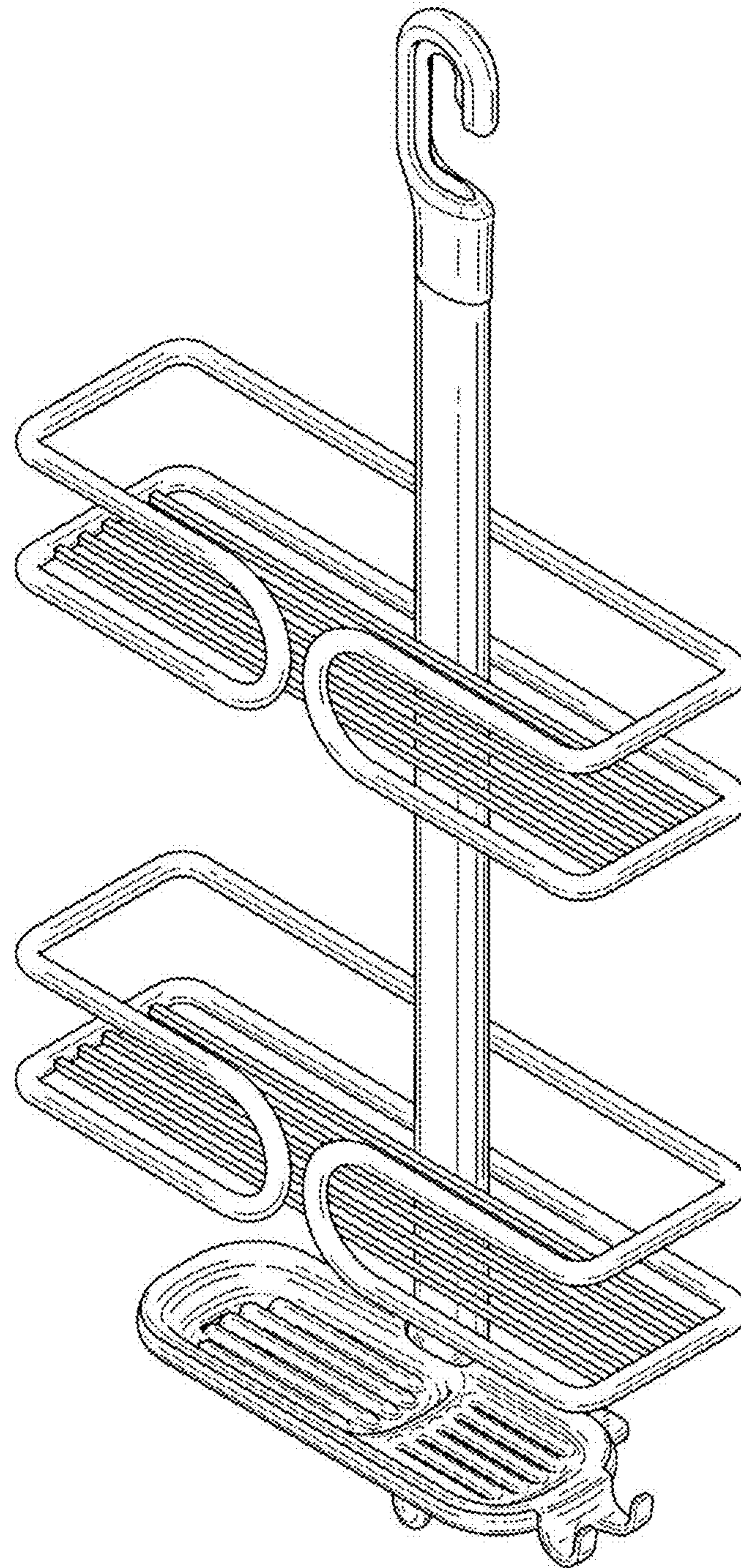


FIG. 1

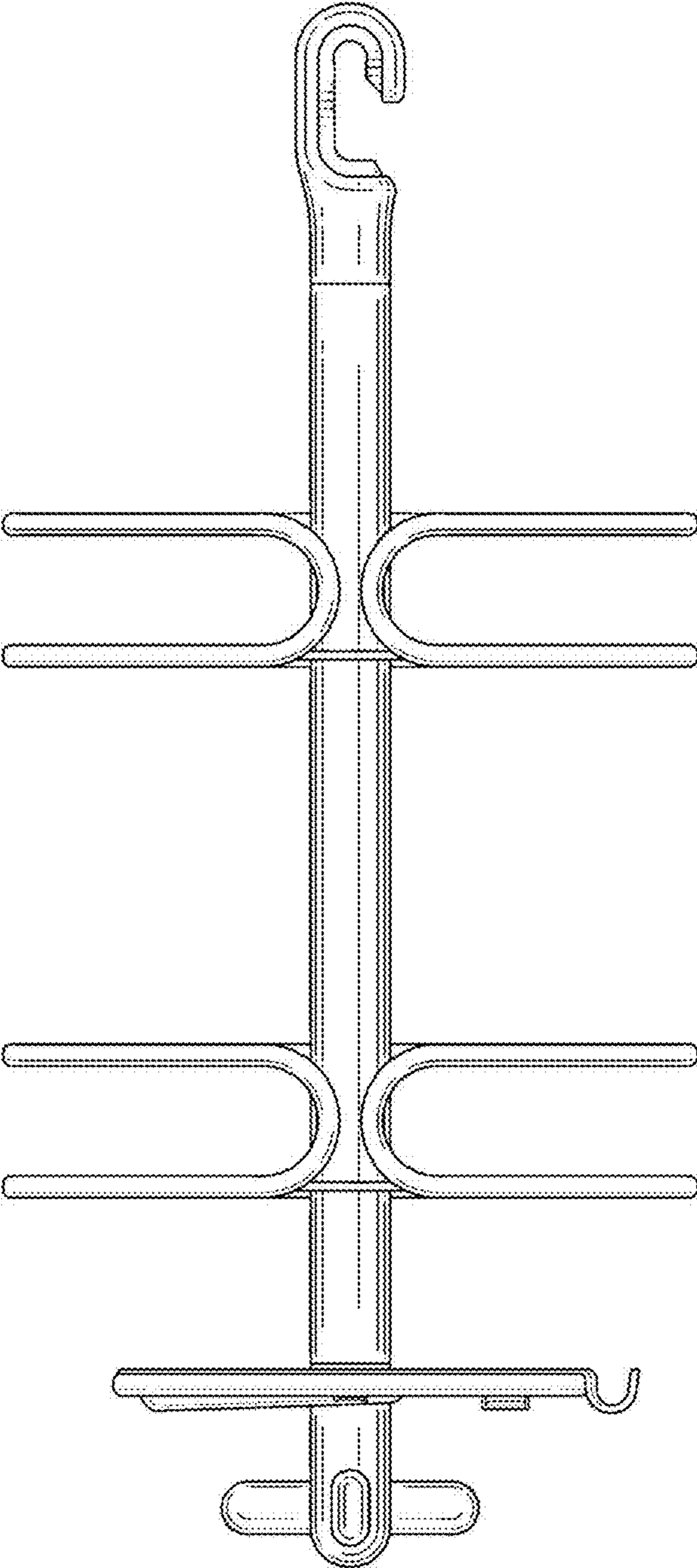


FIG. 2

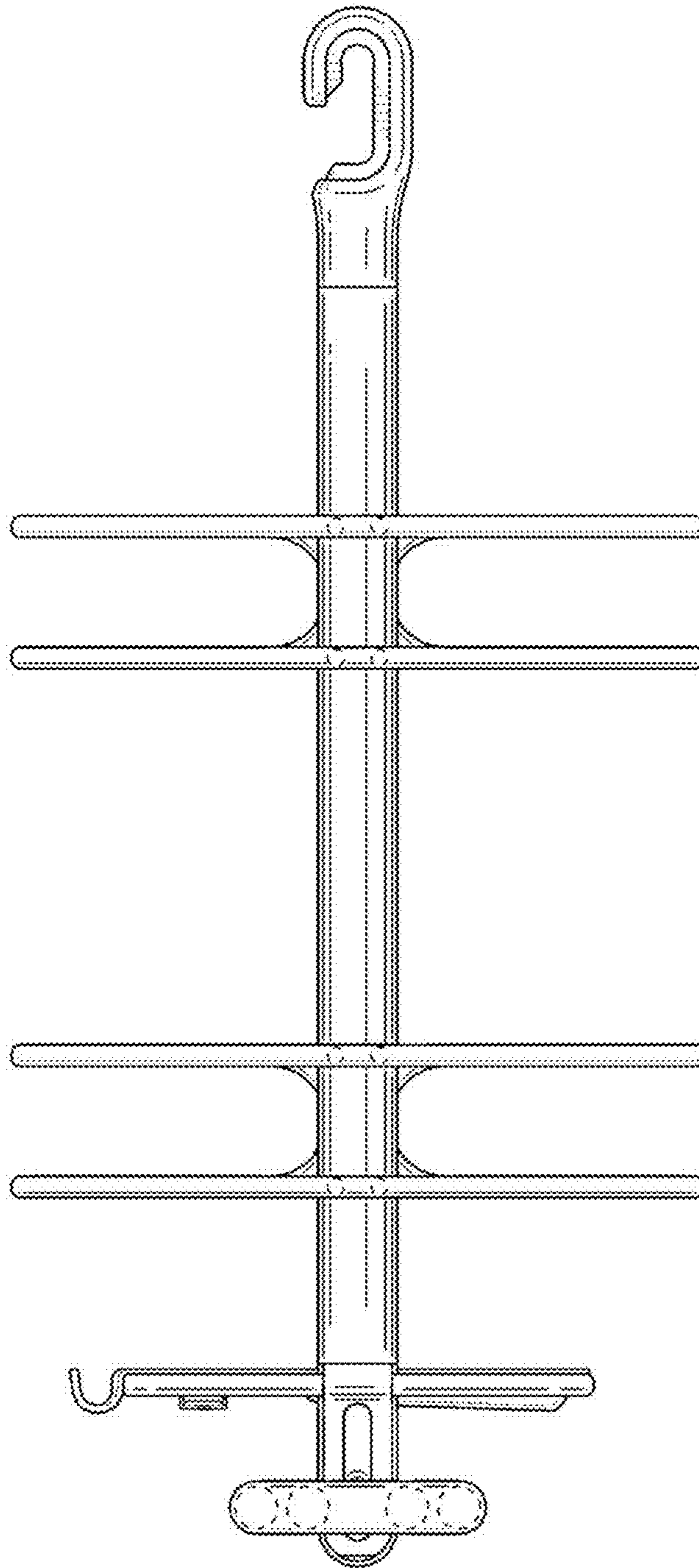


FIG. 3

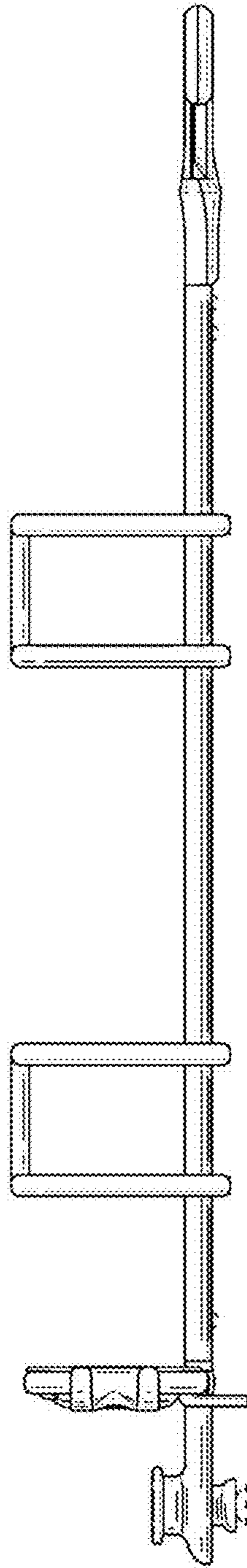


FIG. 4

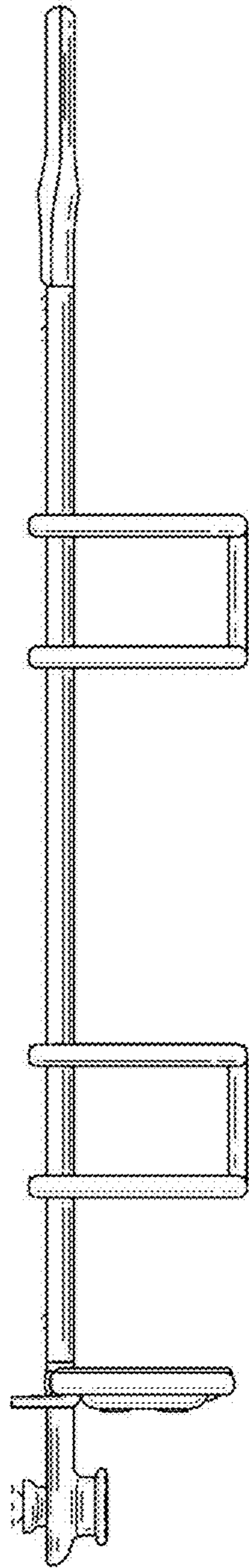


FIG. 5

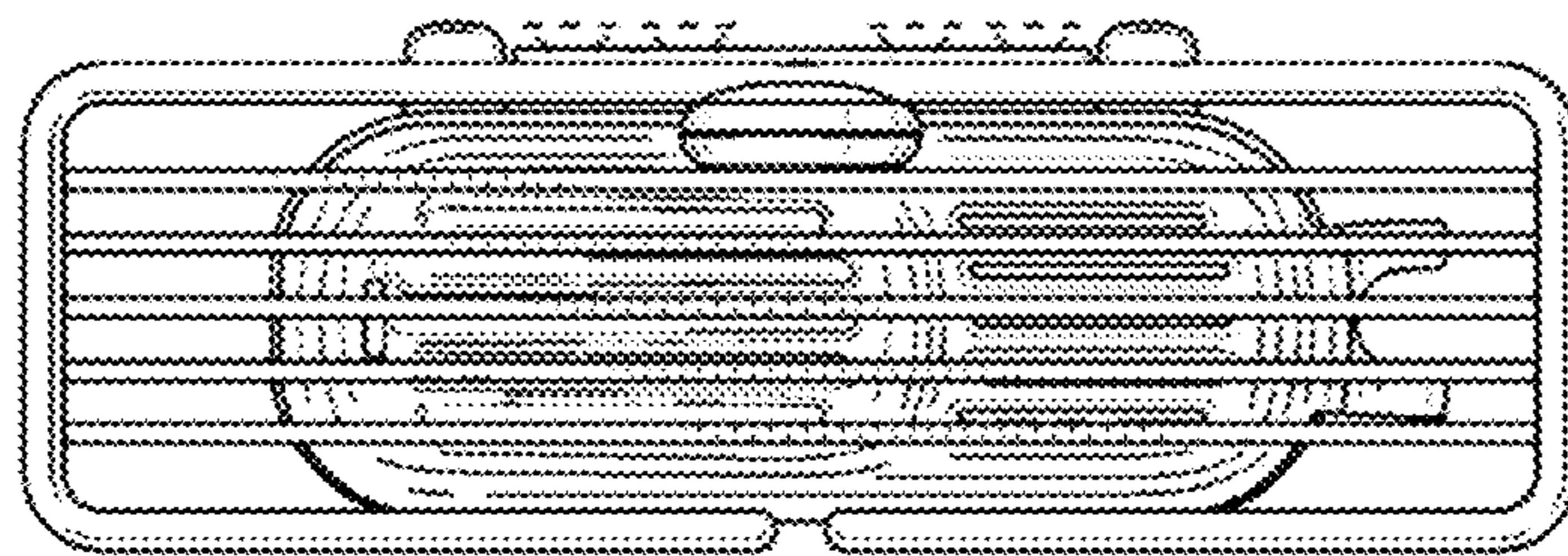


FIG. 6



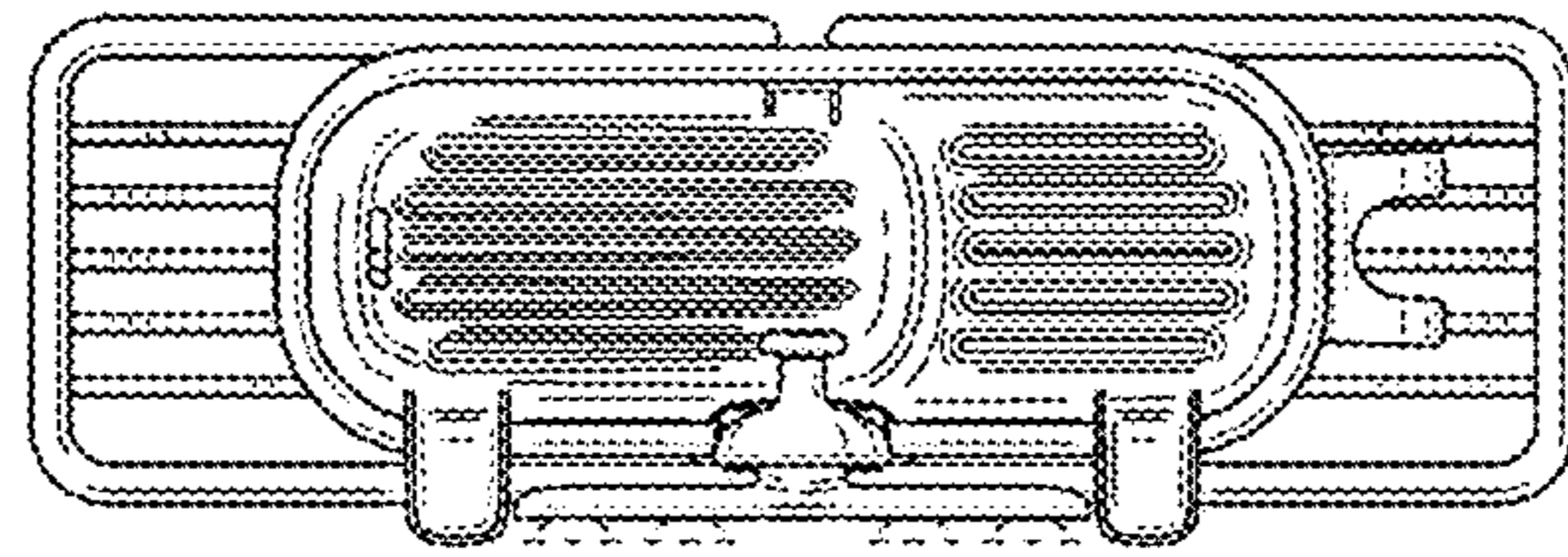


FIG. 7