



US00D805311S

(12) **United States Design Patent** (10) **Patent No.:** **US D805,311 S**
Mandon et al. (45) **Date of Patent:** **** Dec. 19, 2017**

(54) **CHAIR**
(71) Applicant: **Apple Inc.**, Cupertino, CA (US)
(72) Inventors: **Kully Kraig Mandon**, San Francisco, CA (US); **Stefan Behling**, London (GB)
(73) Assignee: **Apple Inc.**, Cupertino, CA (US)
(**) Term: **15 Years**

D427,814 S 7/2000 Black
D427,815 S 7/2000 Lewis
D465,936 S 11/2002 Arnold
D466,337 S 12/2002 Feng
D478,208 S * 8/2003 Cassel D3/273
D509,548 S 9/2005 Heitzman et al.
D515,847 S * 2/2006 Moon D6/675.1
D530,548 S 10/2006 McCurry
D539,569 S 4/2007 Lewis
D553,393 S * 10/2007 Cassel D6/675.1
D583,577 S 12/2008 Wicha

(Continued)

(21) Appl. No.: **29/565,377**

(22) Filed: **May 19, 2016**

(51) **LOC (10) Cl.** **06-01**

(52) **U.S. Cl.**
USPC **D6/349**

(58) **Field of Classification Search**
USPC D6/334, 349-355, 363, 360, 368, 374,
D6/403, 405, 657, 675.4, 685, 688.17,
D6/690, 691.9, 693-693.3, 695, 708,
D6/708.15-708.25, 709.11; D25/62-65;
D3/273, 297, 314

CPC A47C 9/00-9/105; A47C 7/00-7/02; A47C
16/00-16/04; A47B 7/00-7/02; A47B
3/00; A47B 3/02; A47B 3/04; A47B 3/12
See application file for complete search history.

(56) **References Cited**

U.S. PATENT DOCUMENTS

D231,887 S 6/1974 Kephart
D232,877 S 9/1974 Kephart
D239,684 S 4/1976 Robertson et al.
D248,345 S 7/1978 Stoddard
D250,498 S 12/1978 Hosford et al.
D274,676 S * 7/1984 Massonnet D6/349
D303,190 S 9/1989 Suttles
D351,508 S 10/1994 Bonazza
D363,396 S * 10/1995 Licari D3/297
D380,318 S 7/1997 Horvath
D406,964 S 3/1999 Lewis

OTHER PUBLICATIONS

Apple applies for a patent for . . . a chair. [online] Published on Nov. 15, 2016. Retrieved Jul. 11, 2017 from URL: https://www.appleworld.today/blog/2016/11/15/apple-applies-for-a-patent-for-a-chair.*

(Continued)

Primary Examiner — Vy N Koenig
(74) *Attorney, Agent, or Firm* — Sterne, Kessler, Goldstein & Fox P.L.L.C.

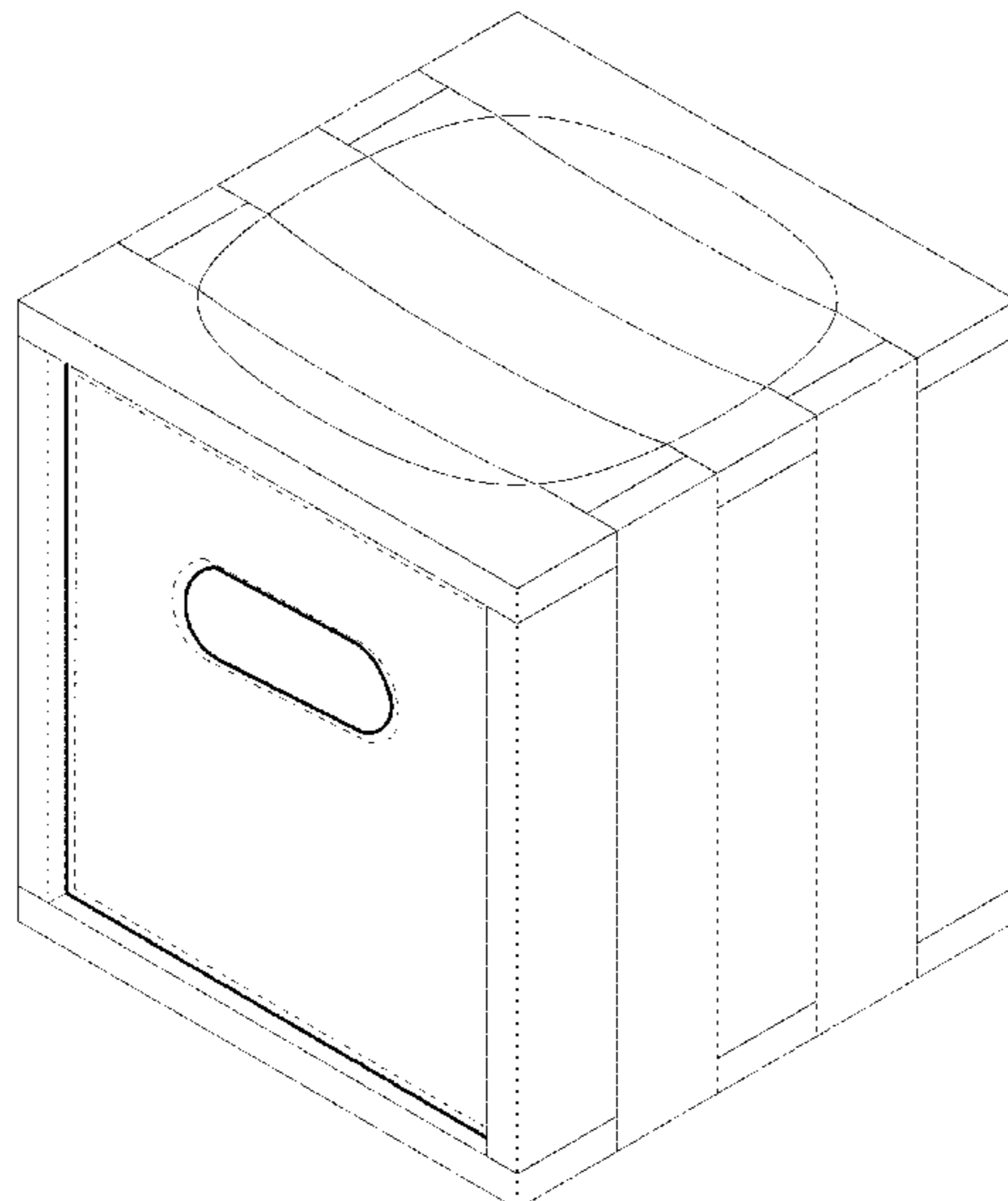
(57) **CLAIM**

The ornamental design for a chair, as shown and described.

DESCRIPTION

FIG. 1 is a top front perspective view of a chair showing the claimed design;
FIG. 2 is a front view thereof;
FIG. 3 is a rear view thereof;
FIG. 4 is a left side view thereof;
FIG. 5 is a right side view thereof;
FIG. 6 is a top view thereof; and,
FIG. 7 is a bottom view thereof.
The broken lines in the figures show portions of the chair that form no part of the claimed design.

1 Claim, 7 Drawing Sheets



(56)

References Cited

U.S. PATENT DOCUMENTS

D587,475 S 3/2009 Ren
 D591,090 S 4/2009 Judkins
 D599,570 S 9/2009 Skalka
 7,588,522 B2 9/2009 Heitzman
 D611,735 S 3/2010 Stukenberg
 D622,959 S * 9/2010 Zalewski D3/273
 D647,313 S * 10/2011 Chen D6/364
 8,056,976 B1 11/2011 Polk
 D651,651 S 1/2012 Beukema et al.
 D659,415 S 5/2012 Soto et al.
 D677,076 S * 3/2013 Olson D6/675
 8,469,453 B1 6/2013 Larocque
 D693,610 S 11/2013 Denby et al.
 D694,557 S 12/2013 Rodgers
 D705,556 S 5/2014 Udagawa
 D713,190 S 9/2014 Behar
 D713,658 S 9/2014 Tio et al.

D717,554 S 11/2014 Kapka
 D727,644 S 4/2015 Sorel
 D728,281 S 5/2015 Heirakuji et al.
 D730,071 S 5/2015 Sorel
 D734,631 S 7/2015 Velez
 D736,531 S 8/2015 Lan
 D753,419 S 4/2016 Heirakuji et al.
 D771,396 S * 11/2016 Mandon D6/349
 2002/0177509 A1 11/2002 Rodgers et al.
 2008/0265631 A1 10/2008 Quicoy

OTHER PUBLICATIONS

TheDesignerPad Cool Finds Storage box & stool. [online] Published on Nov. 18, 2010. Retrieved Jul. 11, 2017 from URL: <http://thedesignerpad.com/cool-finds/2010/11/8/storage-box-stool.html>.
 U.S. Appl. No. 29/537,127, filed Aug. 21, 2015; Mandon et al.

* cited by examiner

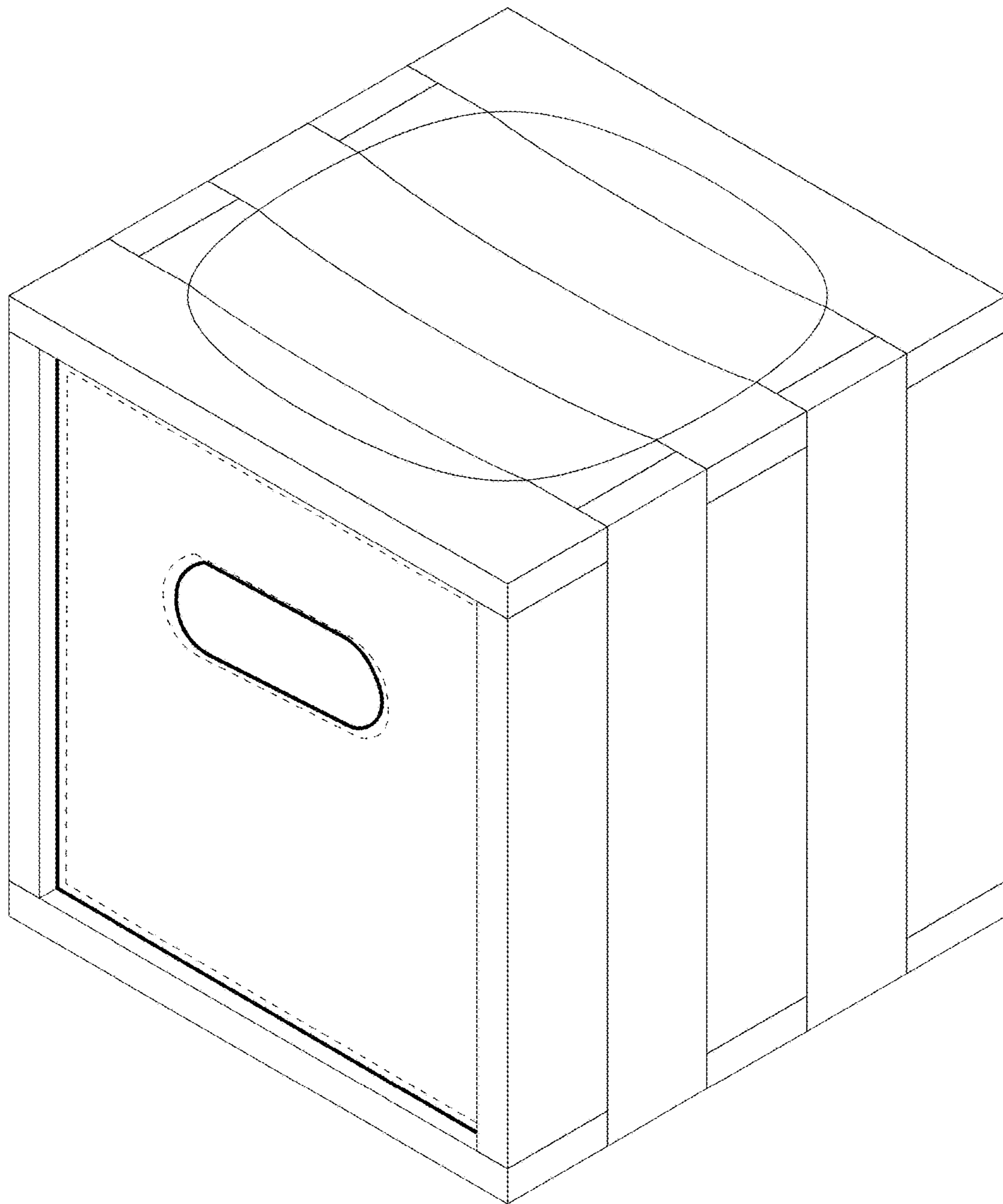


FIG. 1

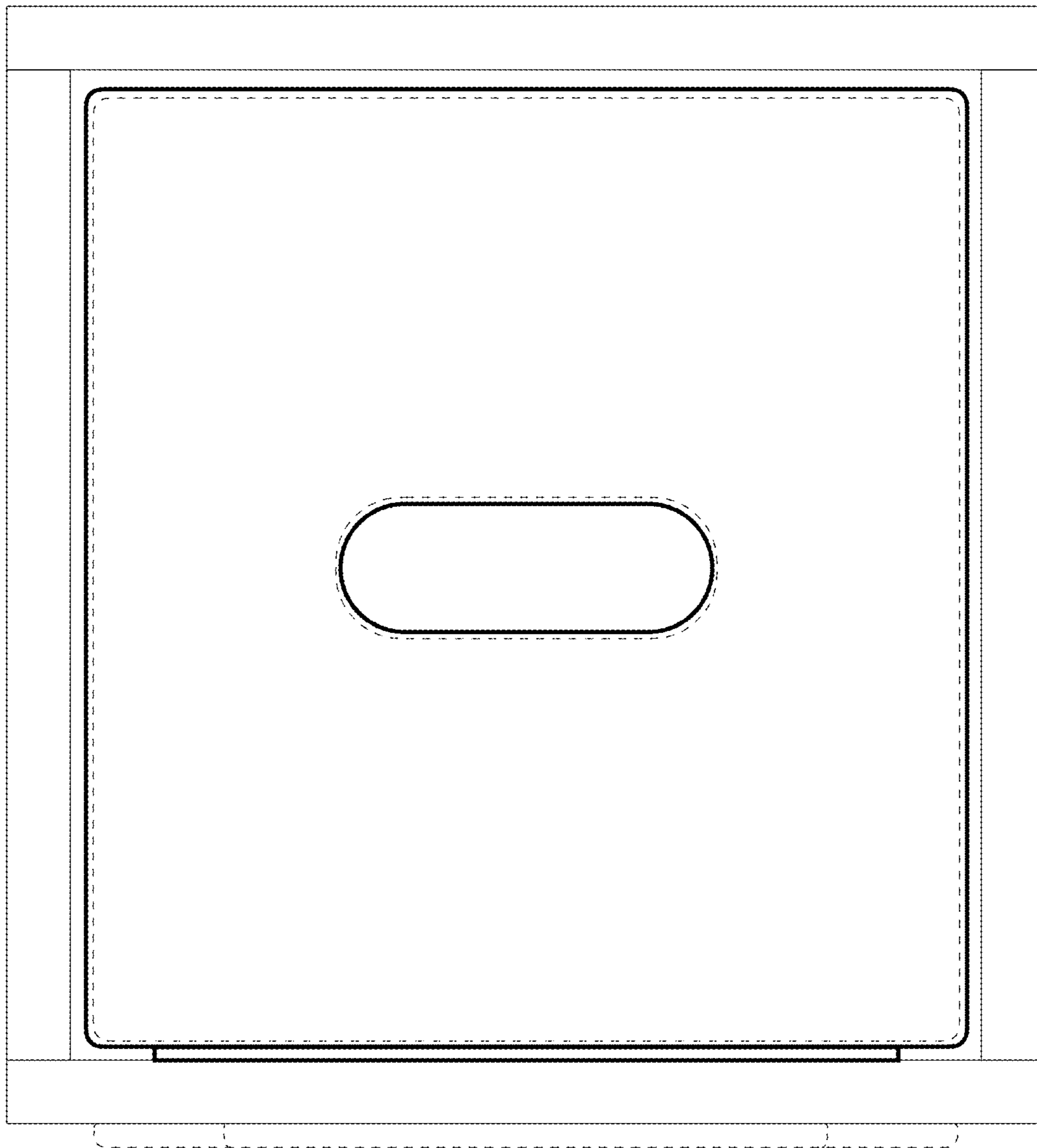


FIG. 2

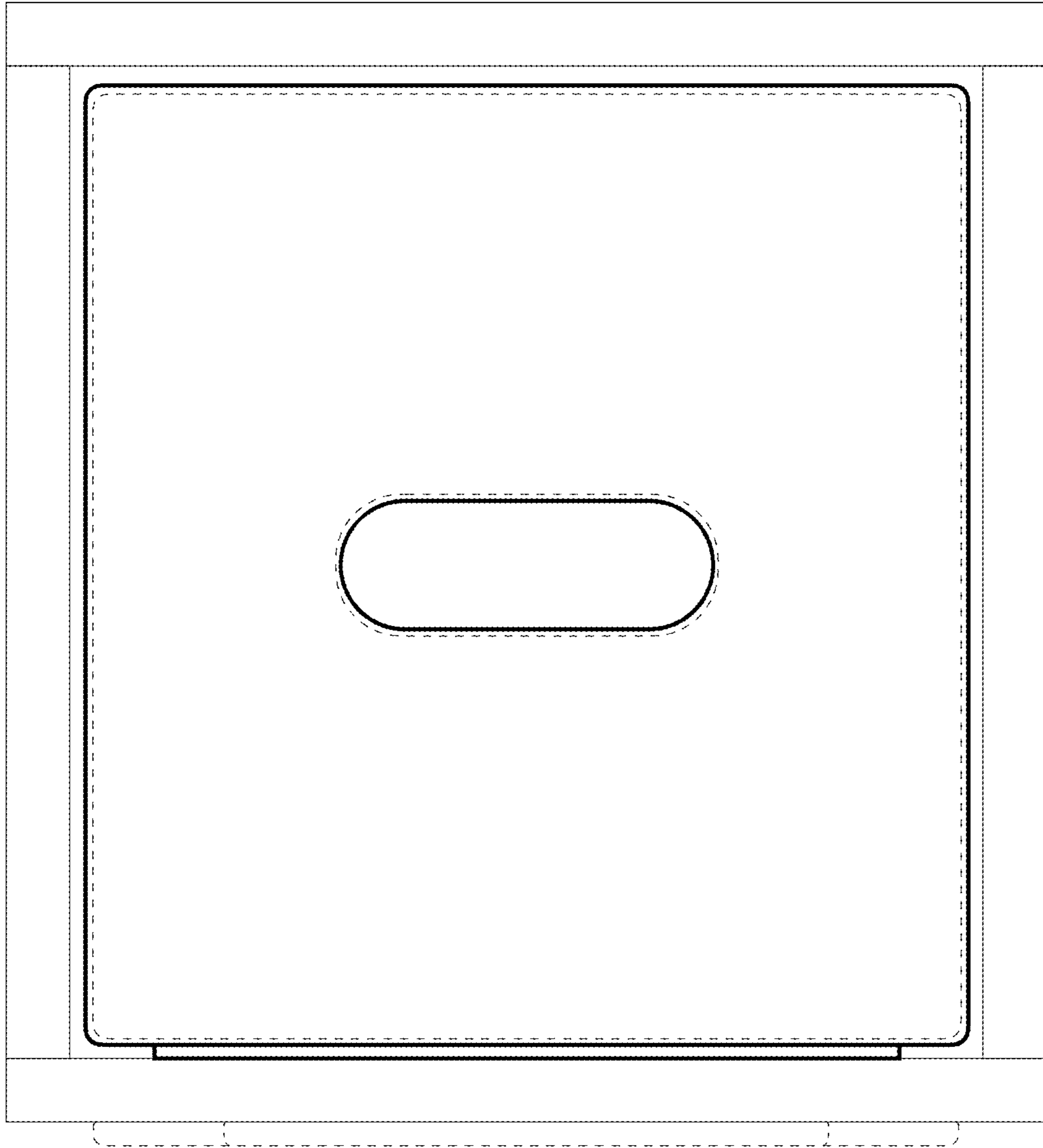


FIG. 3

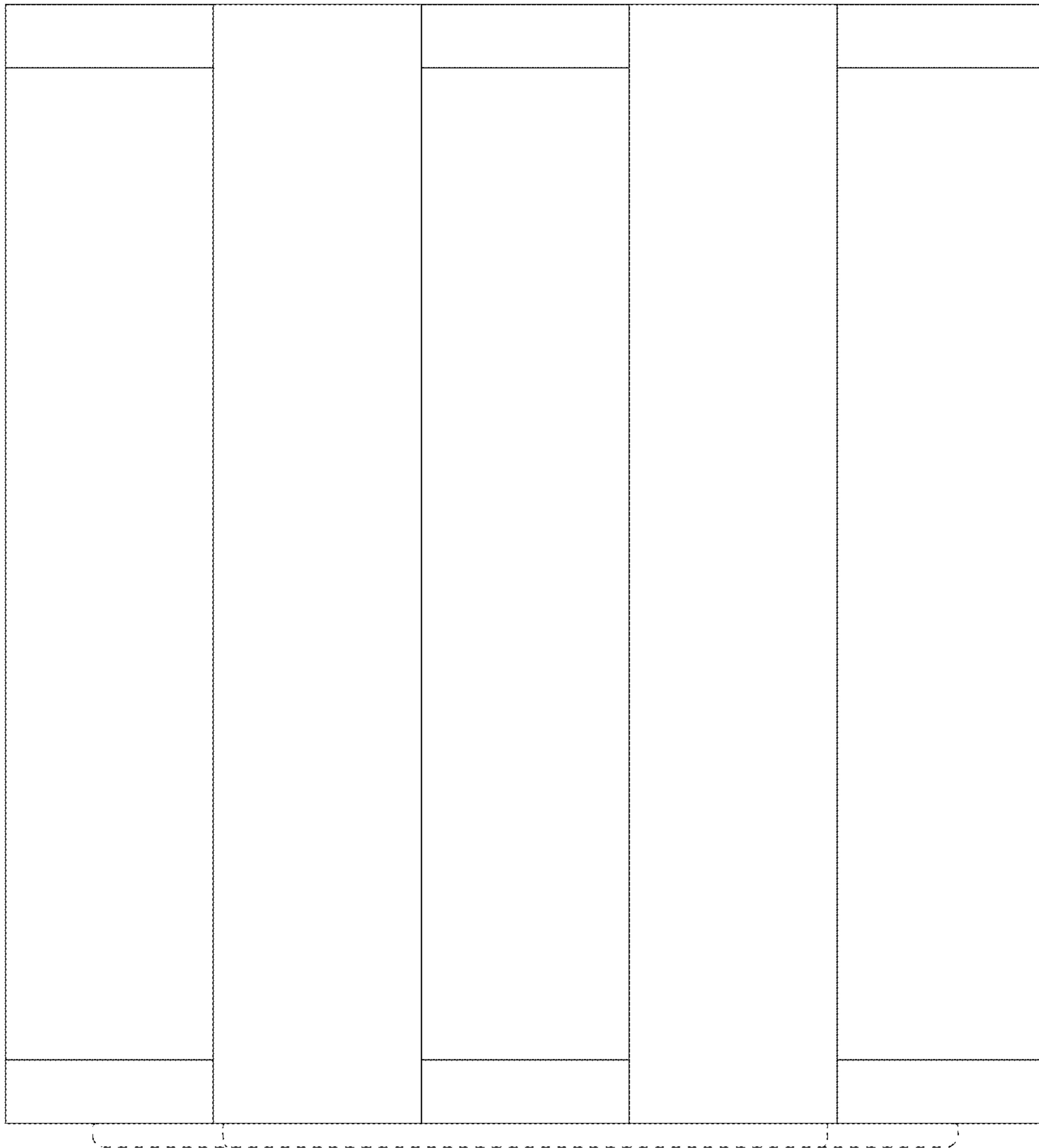


FIG. 4

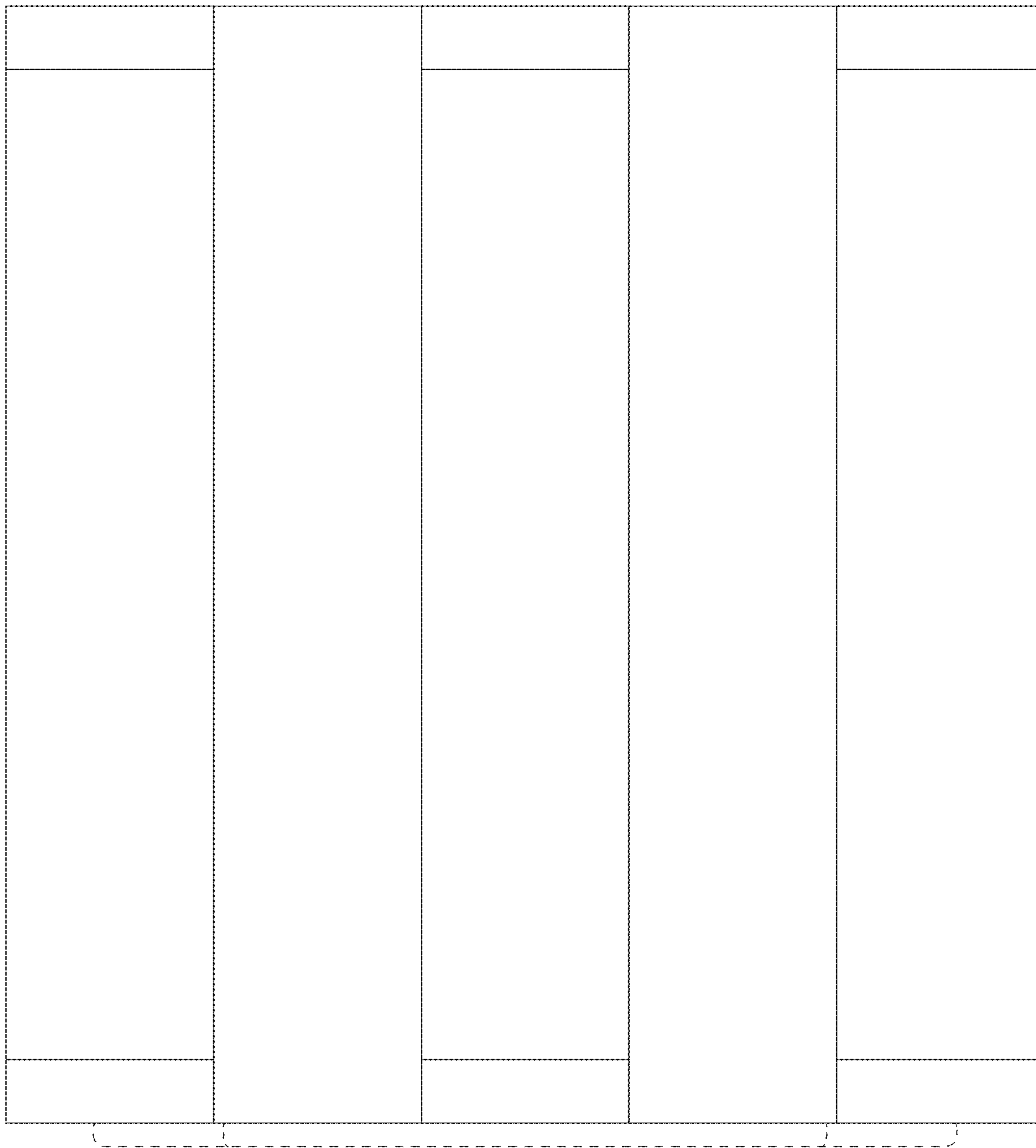


FIG. 5

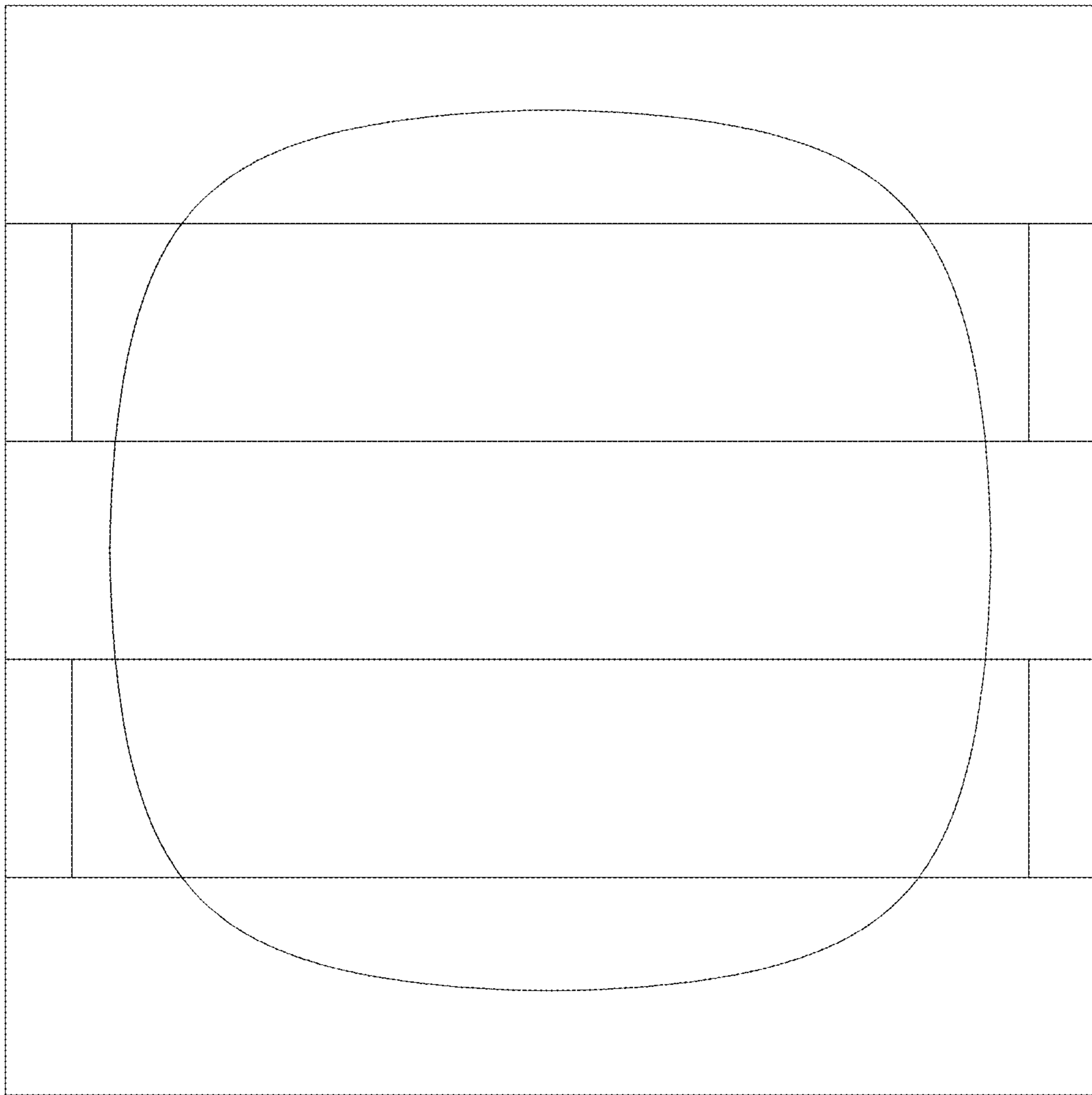


FIG. 6

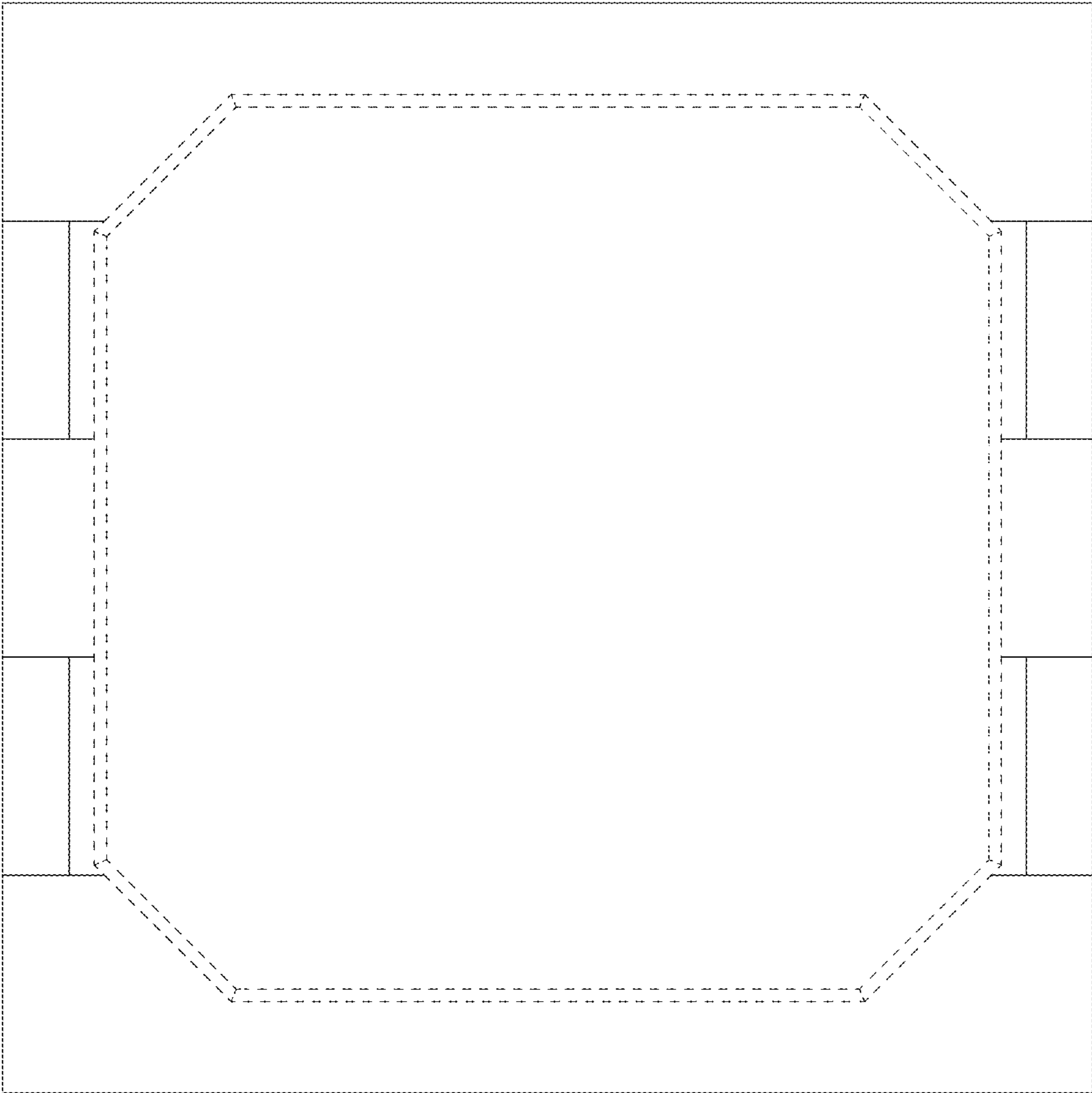


FIG. 7