



US00D805309S

(12) **United States Design Patent**
Moyer et al.

(10) **Patent No.:** **US D805,309 S**

(45) **Date of Patent:** **** Dec. 19, 2017**

(54) **COMBINATION DIGITAL PICTURE FRAME
AND CABLE WALL MOUNT**

(71) Applicant: **PUSHD, INC.**, San Francisco, CA (US)

(72) Inventors: **Emily Moyer**, Brooklyn, NY (US);
Abdur Chowdhury, San Francisco, CA (US);
Eric Jensen, Brooklyn, NY (US);
Ben Cherry, San Francisco, CA (US);
Matt Sanford, Seattle, WA (US); **Scott Milstein**, Brooklyn, NY (US);
Jonathan Wirt, Brooklyn, NY (US);
Daniel Waldron, Walnut Creek, CA (US);
Alek Kolcz, Issaquah, WA (US);
Neil Bhakta, Oakland, CA (US); **Alice Urmei**, Brooklyn, NY (US); **Scott Chapps**, Forest Hills, NY (US); **Ophir Frieder**, Chevy Chase, MD (US)

(73) Assignee: **PUSHD, INC.**, San Francisco, CA (US)

(**) Term: **15 Years**

(21) Appl. No.: **29/571,670**

(22) Filed: **Jul. 20, 2016**

(51) **LOC (10) Cl.** **06-07**

(52) **U.S. Cl.**
USPC **D6/308; D6/310; D8/356**

(58) **Field of Classification Search**
USPC **D6/300-314; D8/349, 354, 356**
(Continued)

(56) **References Cited**

U.S. PATENT DOCUMENTS

D255,745 S * 7/1980 Pedersen 40/746
D395,815 S * 7/1998 Walters D8/354
(Continued)

Primary Examiner — Deanna L Pratt

(74) *Attorney, Agent, or Firm* — Pauley Erickson & Kottis

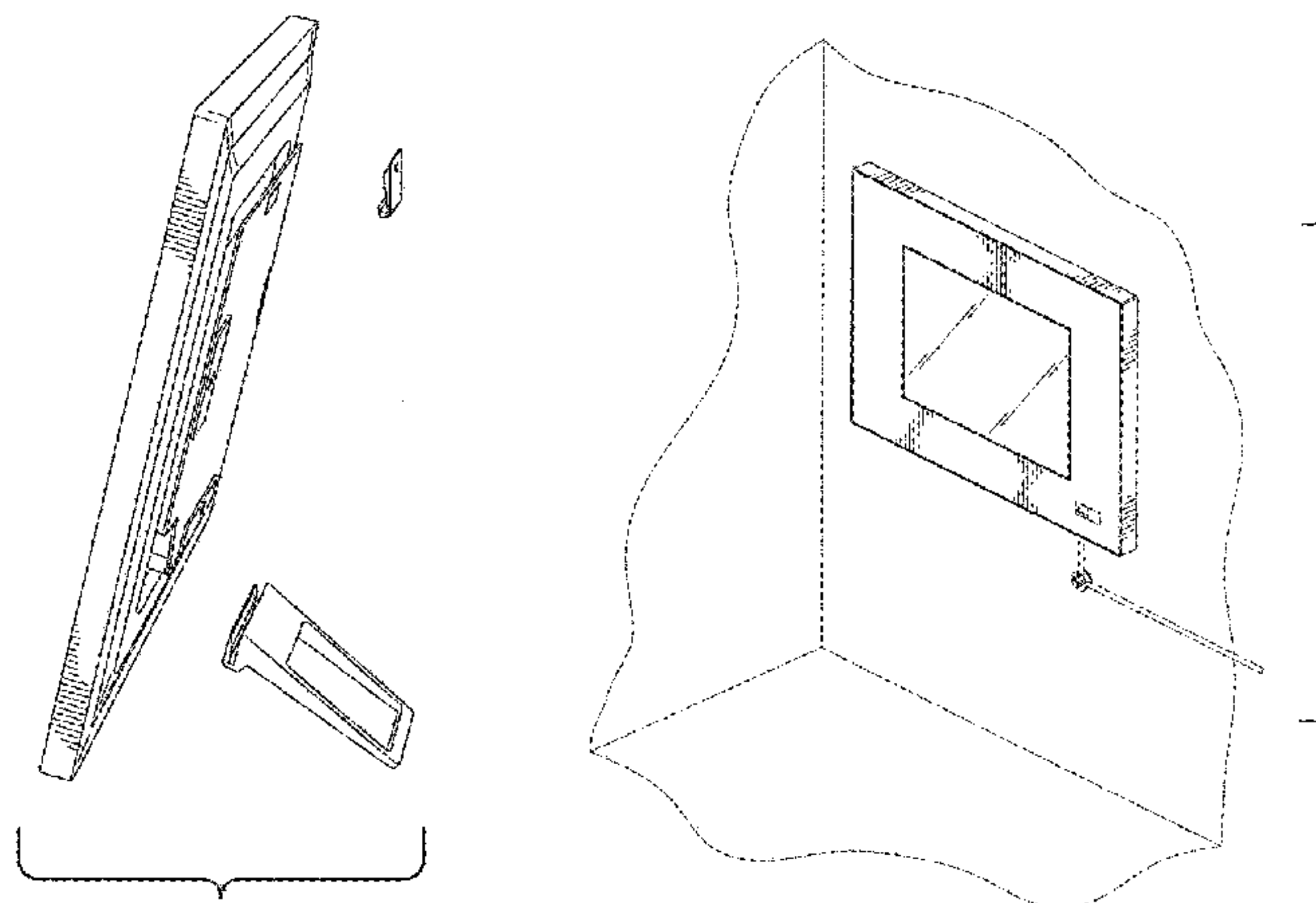
(57) **CLAIM**

The ornamental design for a combination digital picture frame and cable wall mount, as shown.

DESCRIPTION

FIG. 1 is a rear perspective view of a digital picture frame with a stand and a wall hook, of the combination digital picture frame and cable wall mount of this design;
FIG. 2 is a front end view of the digital picture frame, stand, and wall hook, as shown in FIG. 1;
FIG. 3 is a rear end view of the view of the digital picture frame, stand, and wall hook, as shown in FIG. 1;
FIG. 4 is a side view of the digital picture frame, stand, and wall hook, as shown in FIG. 1;
FIG. 5 is a side view, opposite the side view in FIG. 4, of the digital picture frame, stand, and wall hook, as shown in FIG. 1;
FIG. 6 is a top view of the digital picture frame, stand, and wall hook, as shown in FIG. 1;
FIG. 7 is a bottom view of the digital picture frame, stand, and wall hook, as shown in FIG. 1;
FIG. 8 is a rear perspective view of the assembled digital picture frame, stand, and wall hook, as shown in FIG. 1;
FIG. 9 is a perspective view of a cable wall mount, of the combination digital picture frame and cable wall mount of this design;
FIG. 10 is a front end view of the cable wall mount, as shown in FIG. 9;
FIG. 11 is a rear end view of the view of the cable wall mount, as shown in FIG. 9;
FIG. 12 is a side view of the cable wall mount, as shown in FIG. 9;
FIG. 13 is a side view, opposite the side view in FIG. 12, of the cable wall mount, as shown in FIG. 9;
FIG. 14 is a top view of the cable wall mount, as shown in FIG. 9;
FIG. 15 is a bottom view of the cable wall mount, as shown in FIG. 9; and,
FIG. 16 is a perspective view of the digital picture frame of FIG. 1 and the cable wall mount of FIG. 9.
The broken lines shown in FIG. 16 illustrate the environment of the claimed design and form no part thereof.

(Continued)



The claimed design is directed to the collective appearance of the digital picture frame shown in FIGS. 1-8 and the cable wall mount shown in FIGS. 9-15.

1 Claim, 13 Drawing Sheets

(58) **Field of Classification Search**

CPC G06F 1/1654; G06F 1/1681; G06F 1/1669; G06F 1/1616; G06F 1/1637; A47G 1/0616; A47G 1/06; A47G 1/142; A47G 2001/0694; Y10T 24/39; Y10T 24/398

See application file for complete search history.

(56) **References Cited**

U.S. PATENT DOCUMENTS

6,282,860 B1 * 9/2001 Ramirez E04C 5/167
52/677
6,307,737 B1 * 10/2001 Ogawa H04N 5/64
348/843
6,431,500 B1 * 8/2002 Jacobs F16L 3/13
24/129 R
D473,720 S * 4/2003 Harris D6/300
D610,355 S * 2/2010 Chigira D14/374
D613,510 S * 4/2010 Tzeng D14/371
D613,951 S * 4/2010 Tang D14/371
D614,871 S * 5/2010 Tang D14/371
D615,306 S * 5/2010 Ji D14/371
D617,115 S * 6/2010 Wheeler D6/300
D618,985 S * 7/2010 Sjoqvist D8/356
D622,513 S * 8/2010 Tang D14/371

D622,970 S * 9/2010 Tang D14/371
D625,928 S * 10/2010 Lee D6/300
D625,929 S * 10/2010 Mitchell D14/371
D625,985 S * 10/2010 Mori H02G 3/32
D8/356
D626,341 S * 11/2010 Tang D14/371
D629,216 S * 12/2010 Stoddard D6/308
D631,263 S * 1/2011 Tang D14/371
D633,872 S * 3/2011 Shen D13/155
D634,131 S * 3/2011 Utsunomiya D6/308
D634,320 S * 3/2011 Bliven D14/336
D637,822 S * 5/2011 Utsunomiya D6/308
D642,385 S * 8/2011 Lee D6/308
8,059,087 B2 * 11/2011 Chou H04N 1/00251
345/104
D651,812 S * 1/2012 Lee D14/371
D654,703 S * 2/2012 LeMay D6/300
D658,898 S * 5/2012 DiNello D6/300
D684,036 S * 6/2013 Topping D8/356
8,520,371 B2 * 8/2013 Peng F16M 11/105
248/447
D691,877 S * 10/2013 Ganski D8/356
D720,606 S * 1/2015 Mathews D8/356
D750,066 S * 2/2016 Lin D14/341
2005/0126061 A1 * 6/2005 Lin H04N 1/00347
40/735
2009/0147155 A1 * 6/2009 Hsu G06F 1/1601
348/836
2009/0183412 A1 * 7/2009 Cheng F16C 11/0604
40/725
2009/0219245 A1 * 9/2009 Frankel H04N 1/0035
345/104
2011/0164358 A1 * 7/2011 Duan H04M 1/04
361/679.01

* cited by examiner

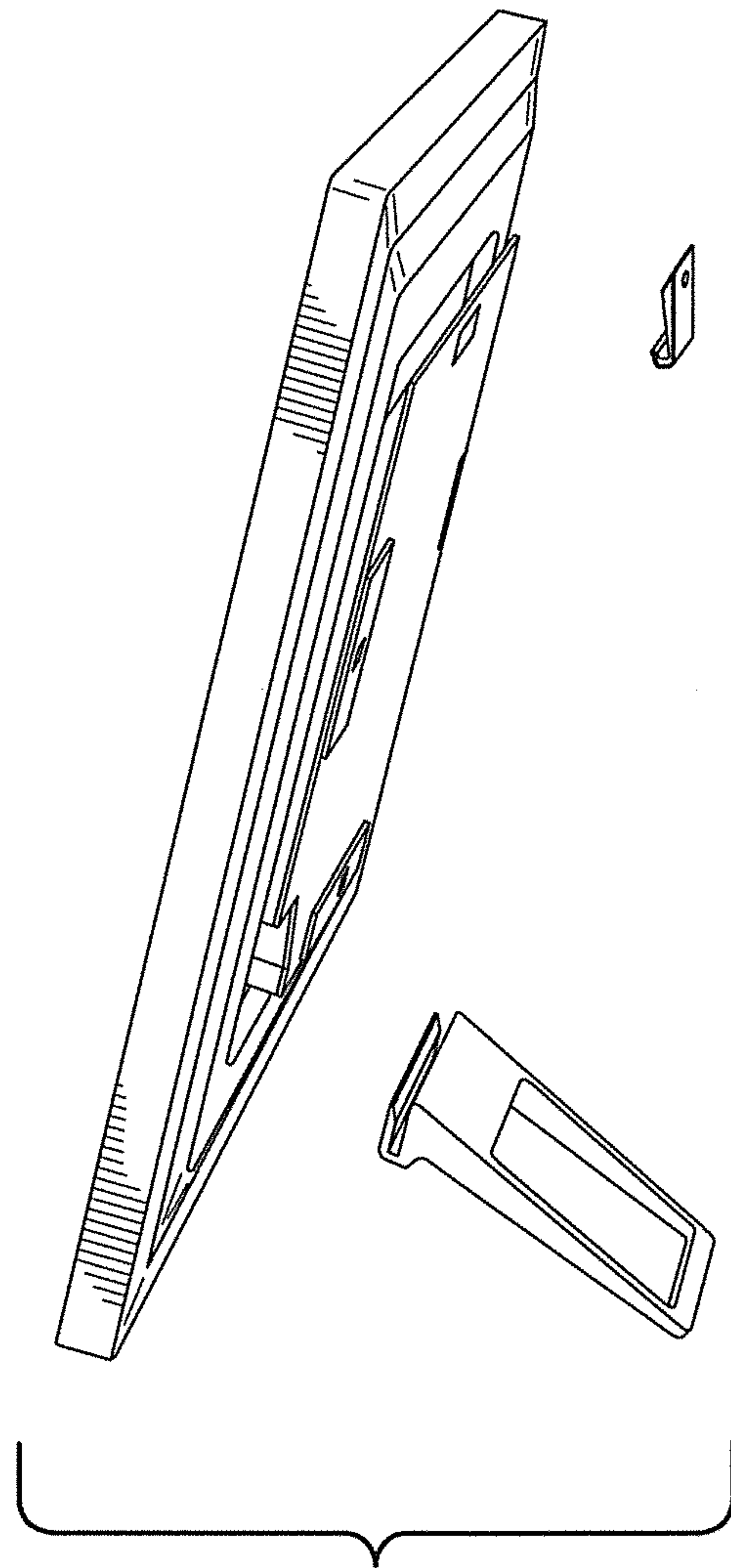


FIG. 1

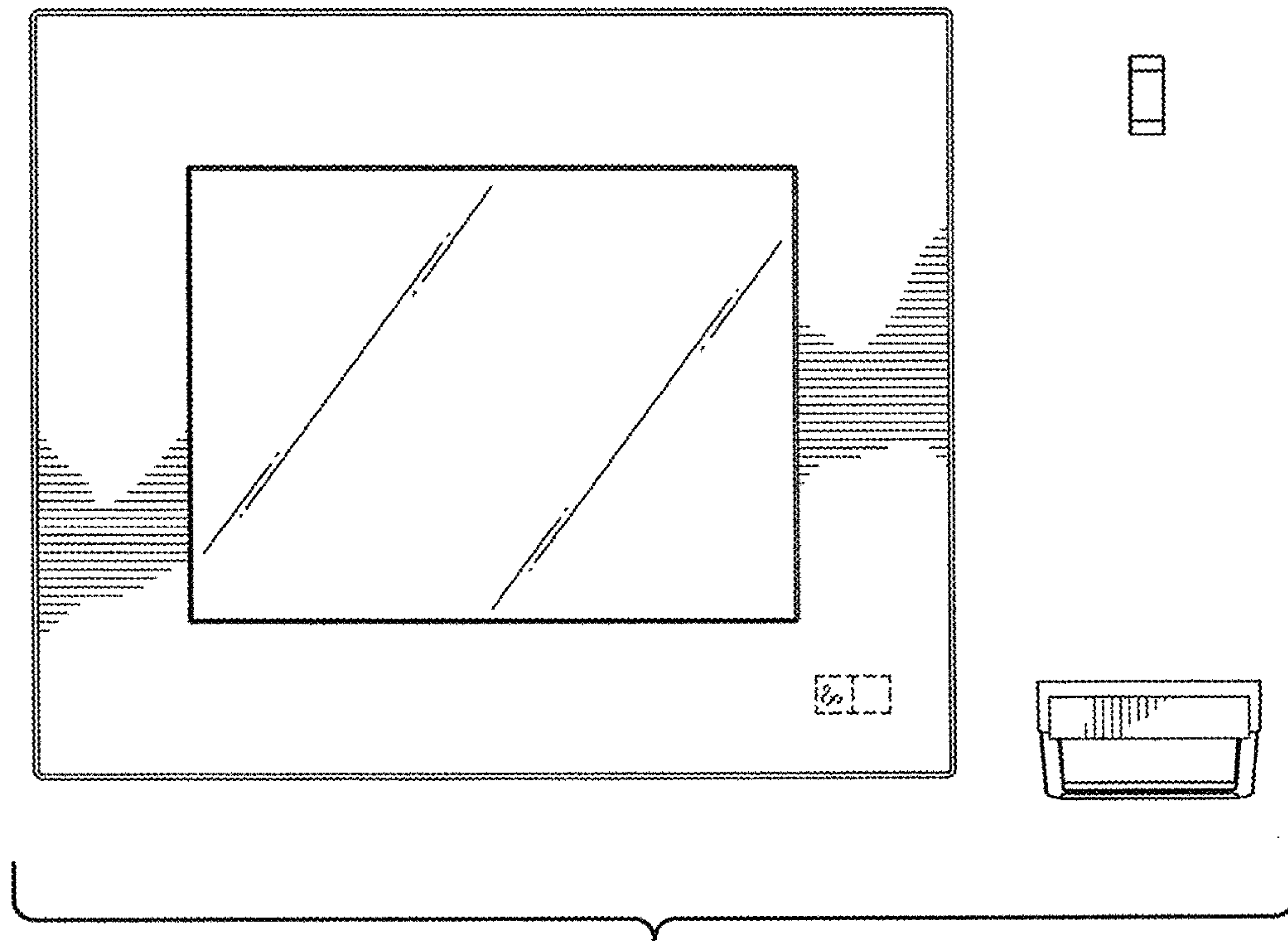


FIG. 2

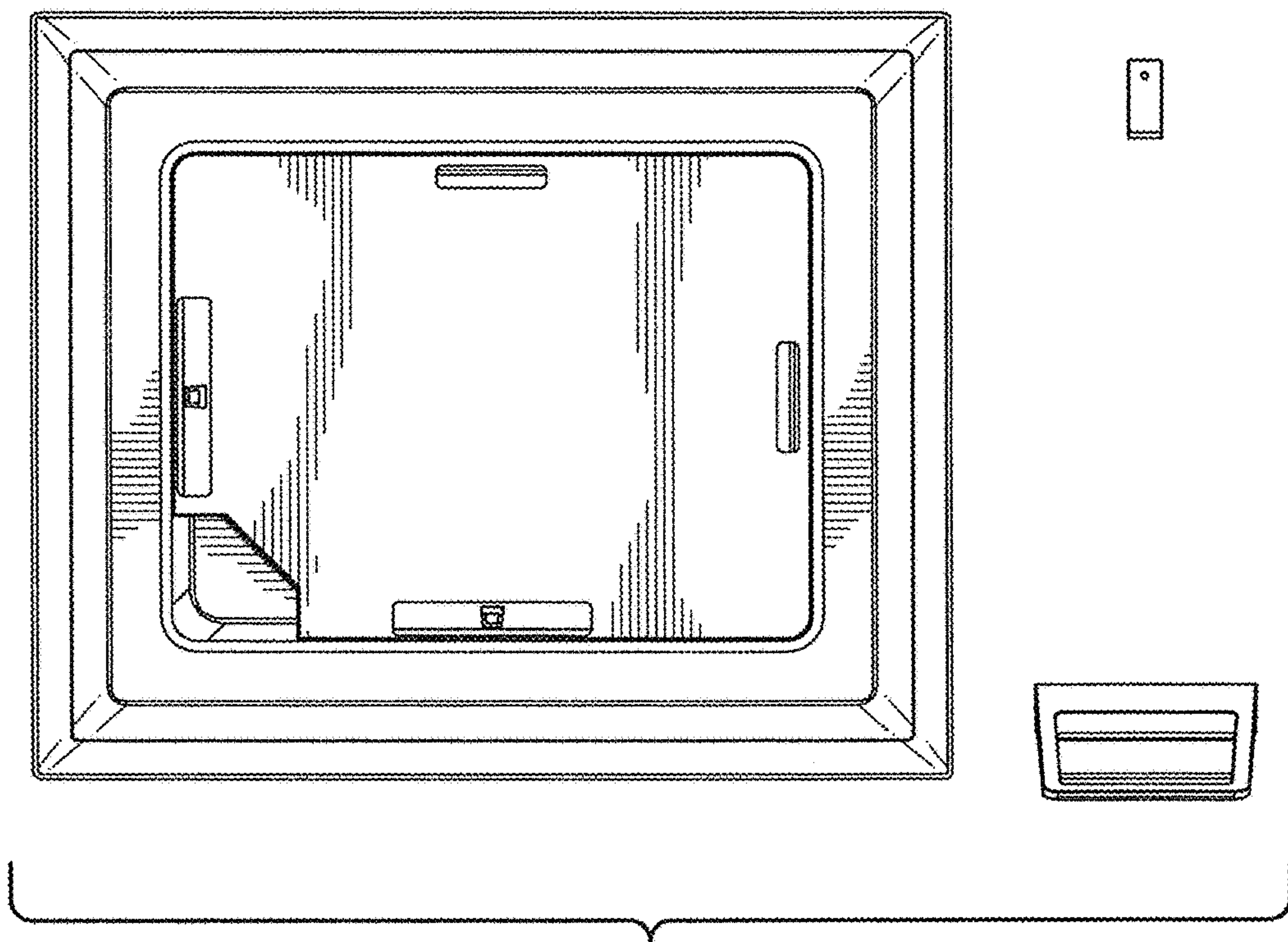


FIG.3

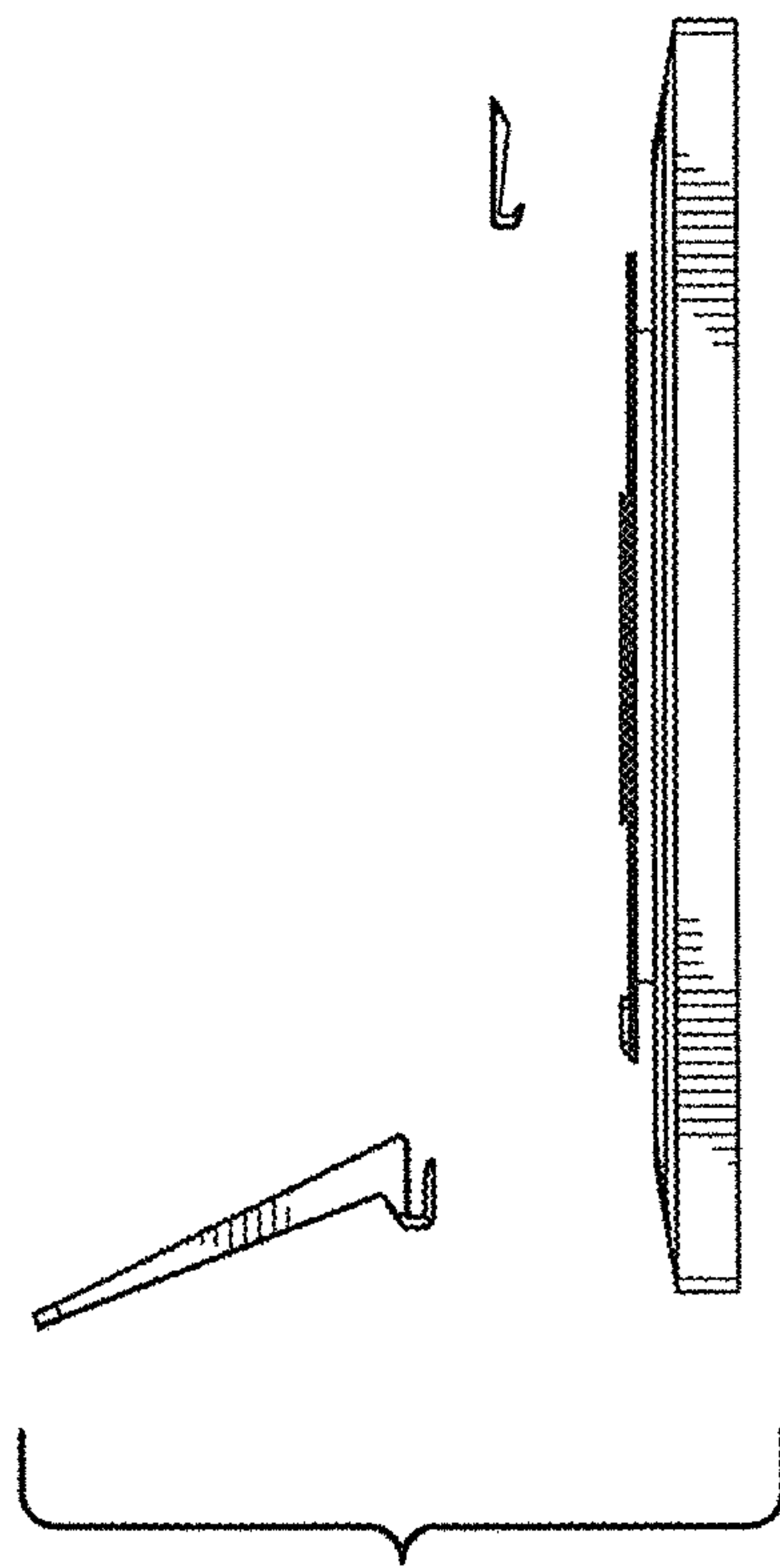


FIG.4

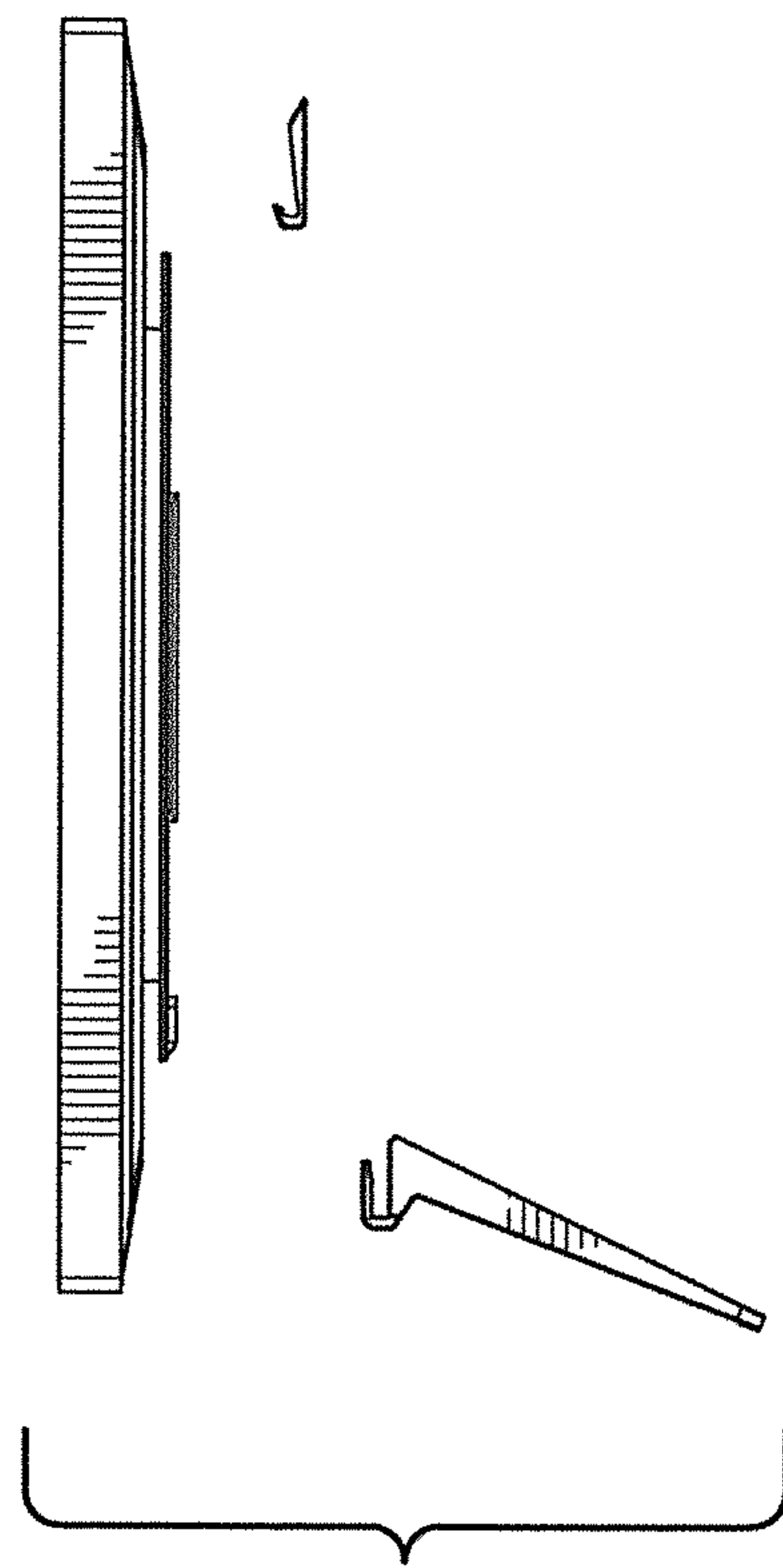


FIG.5

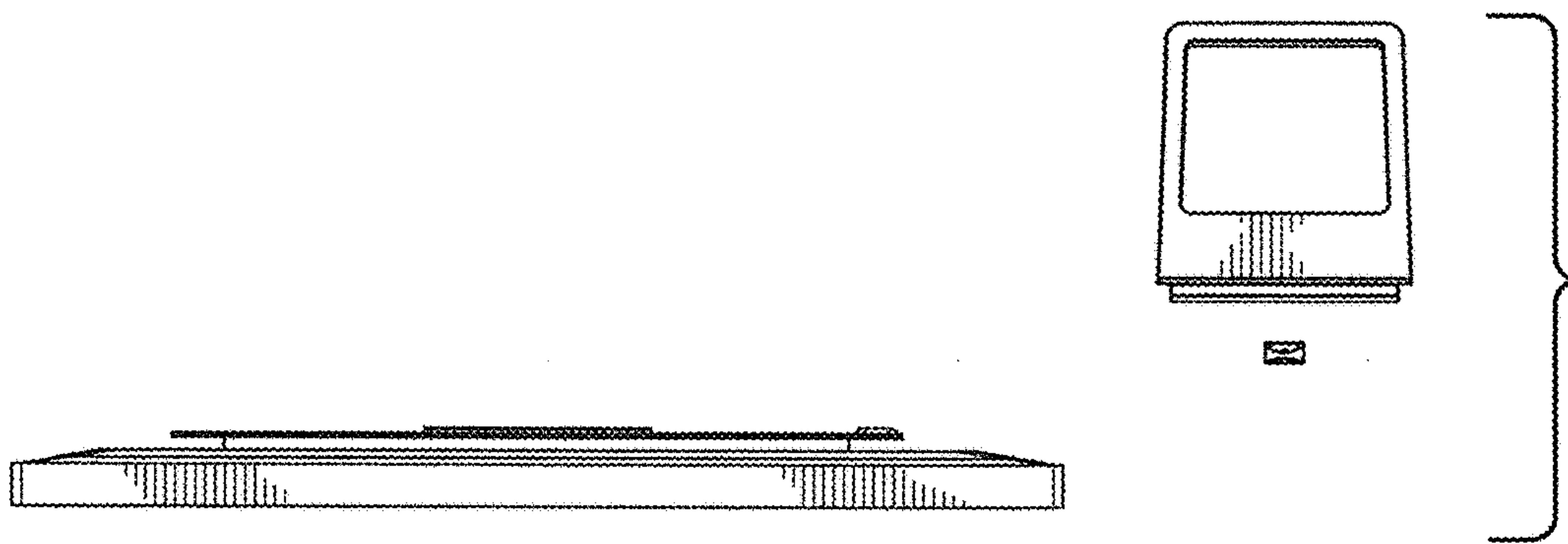


FIG. 6

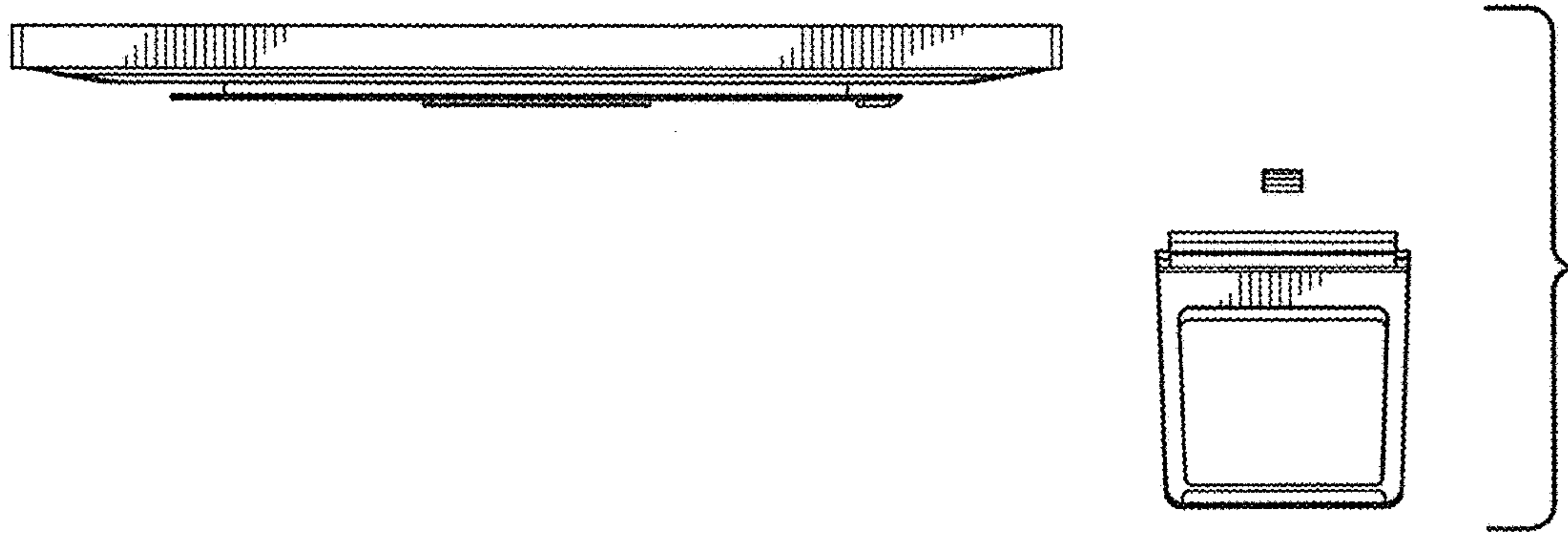


FIG. 7

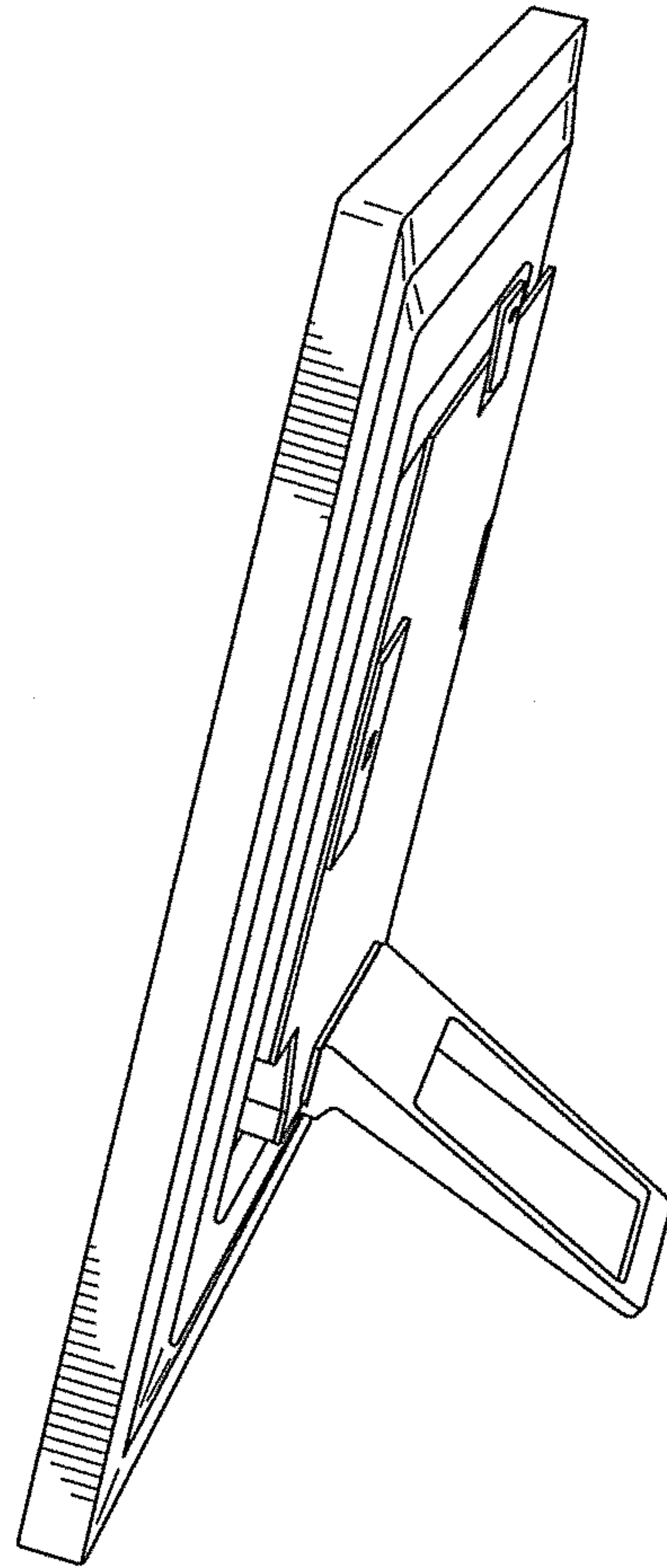


FIG. 8

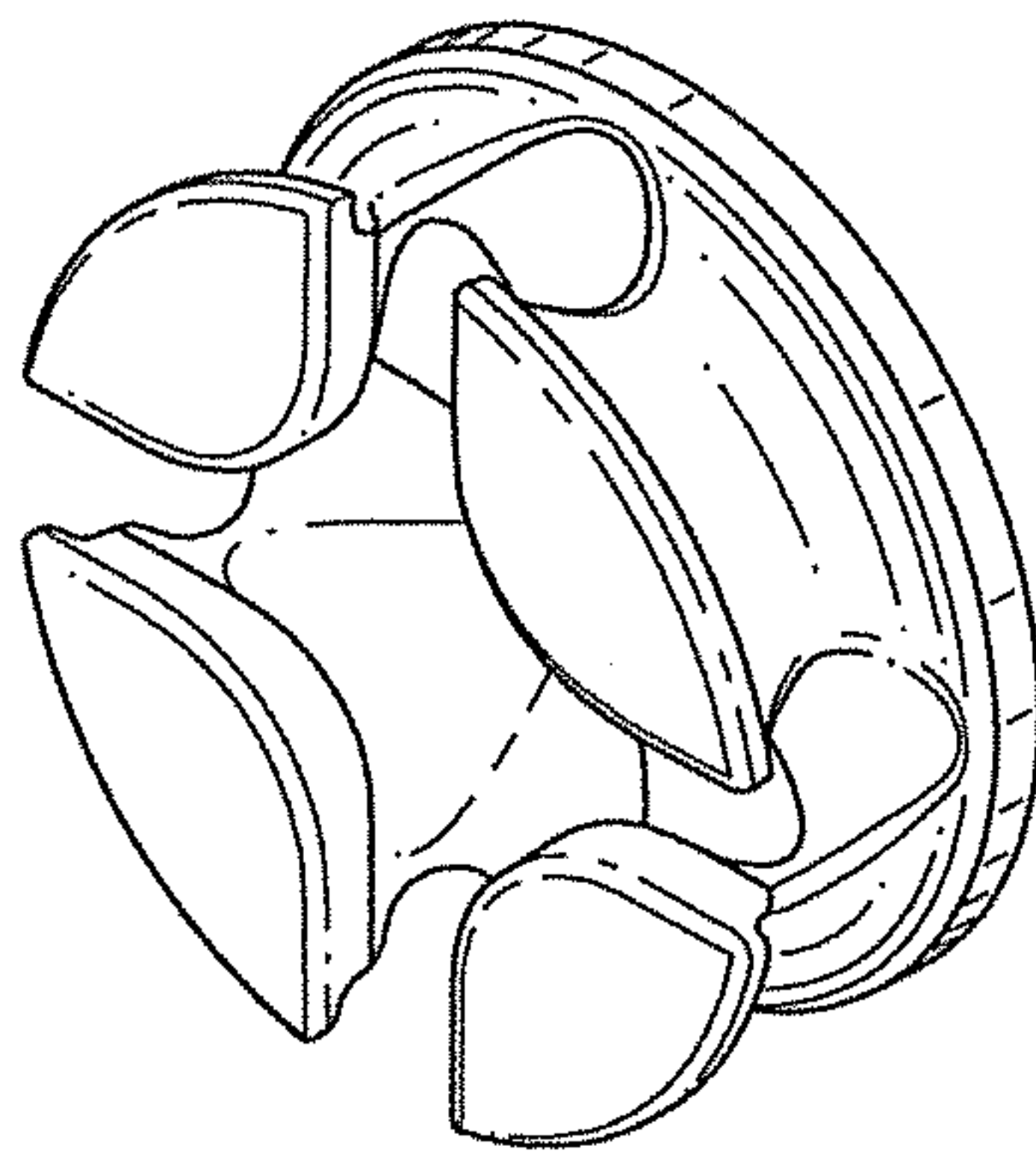


FIG. 9

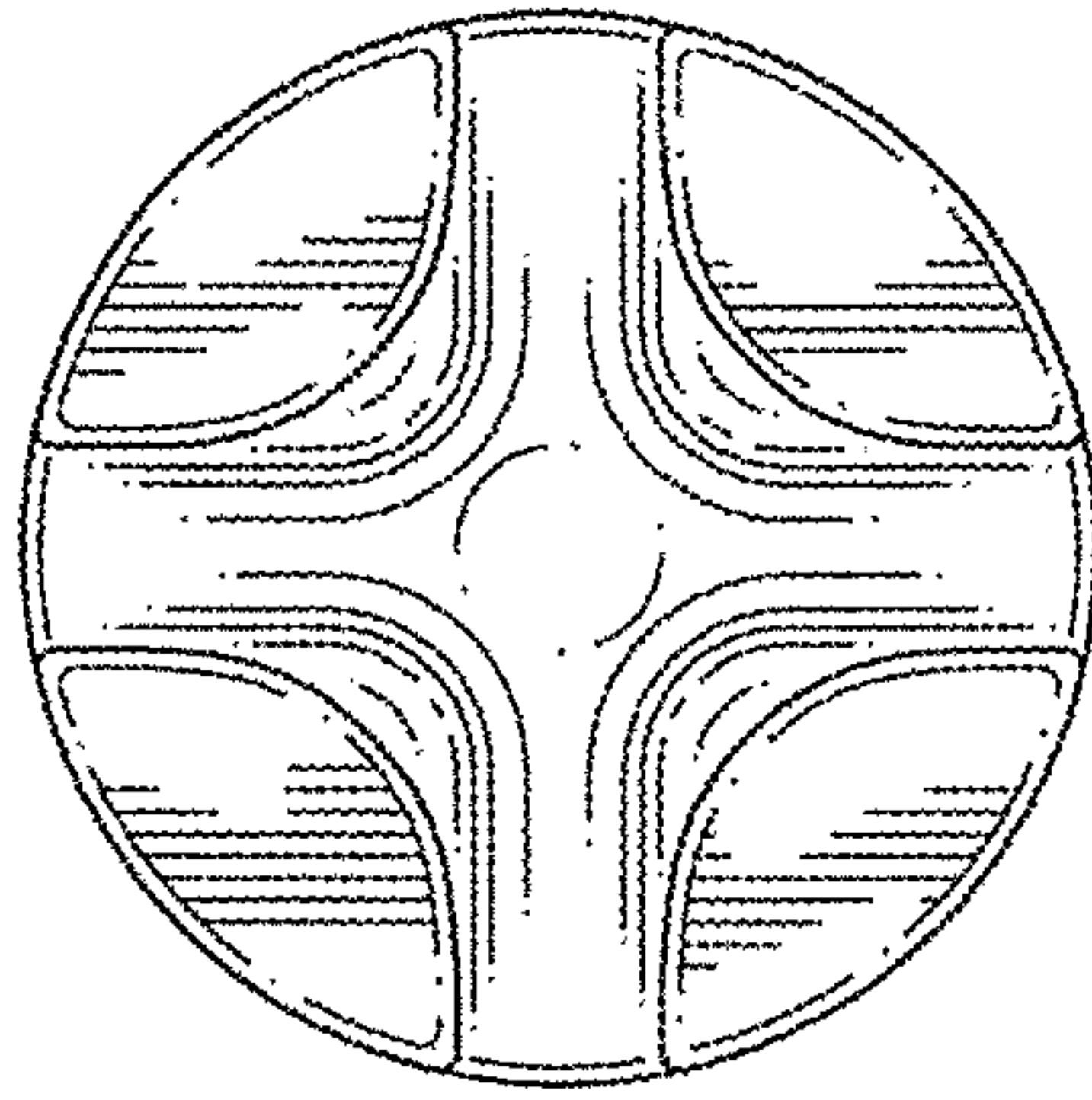


FIG. 10

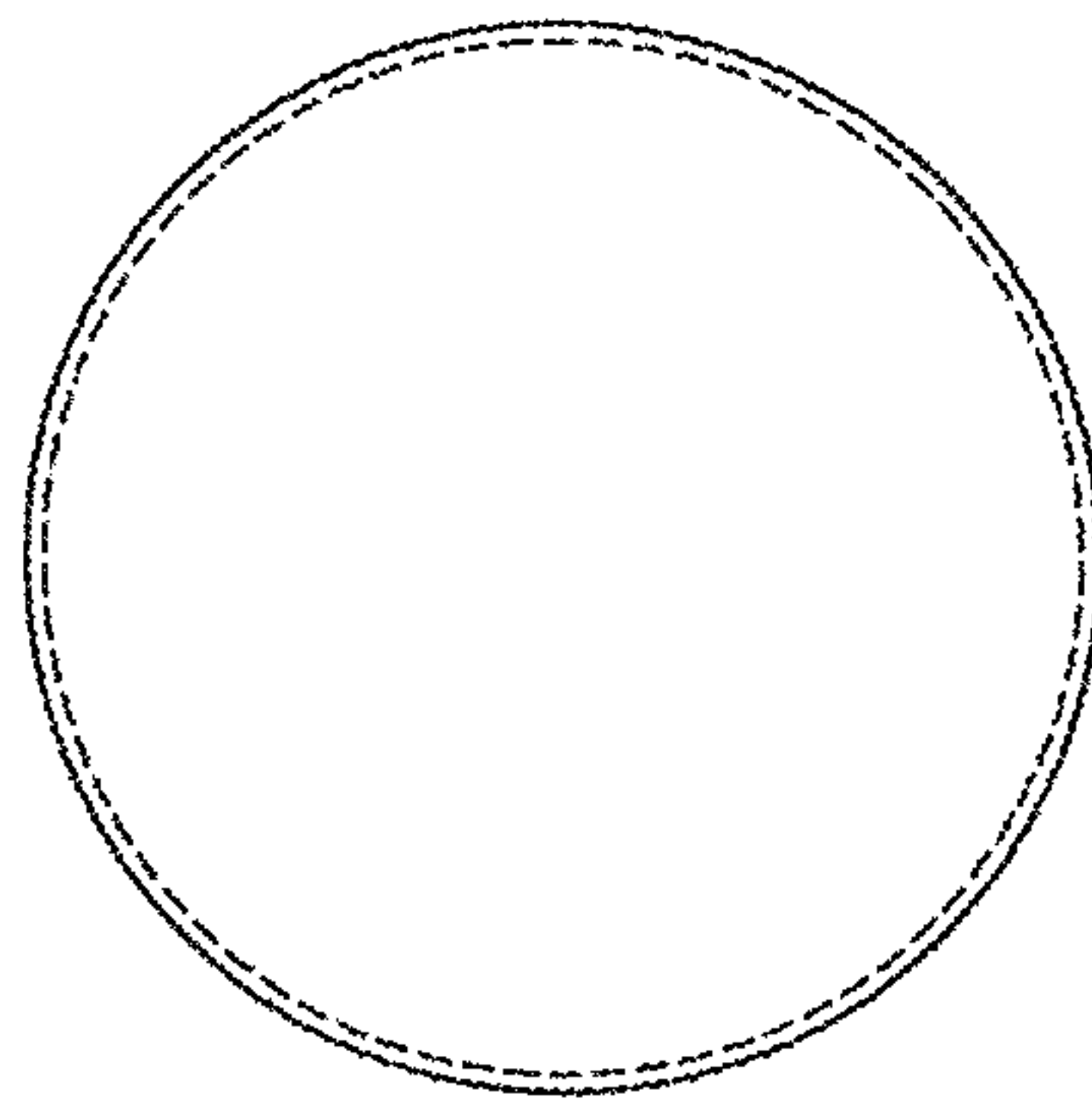


FIG. 11

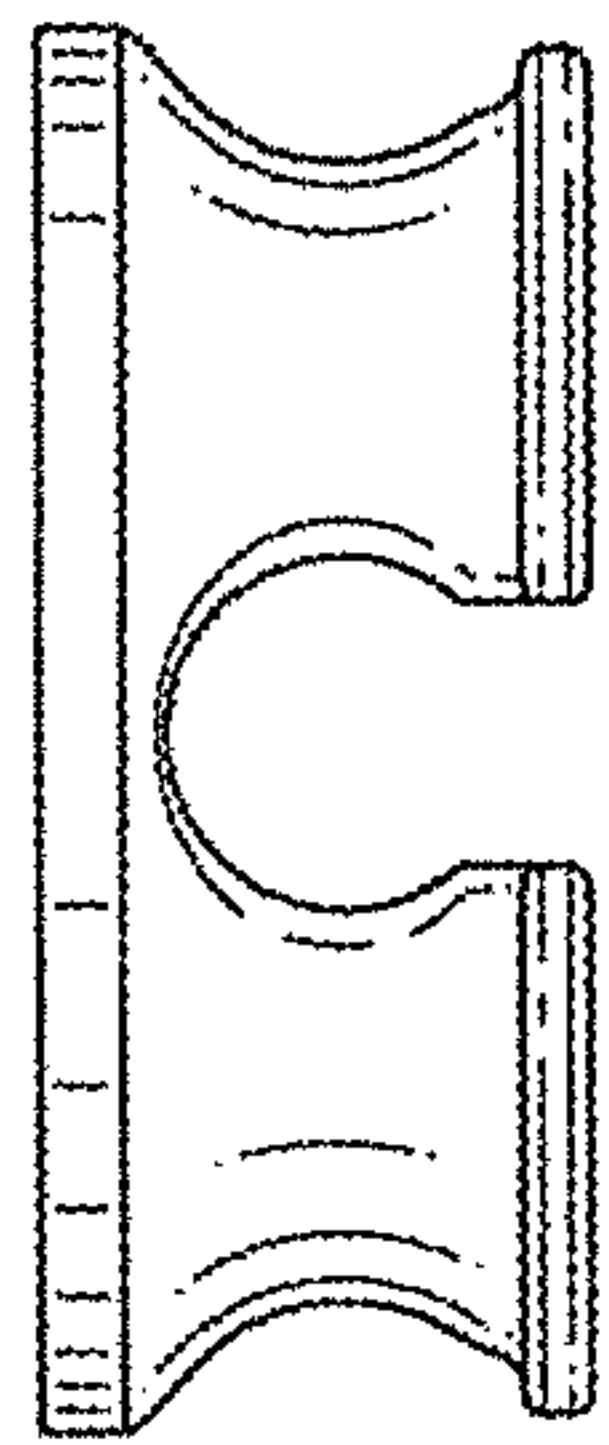


FIG. 12

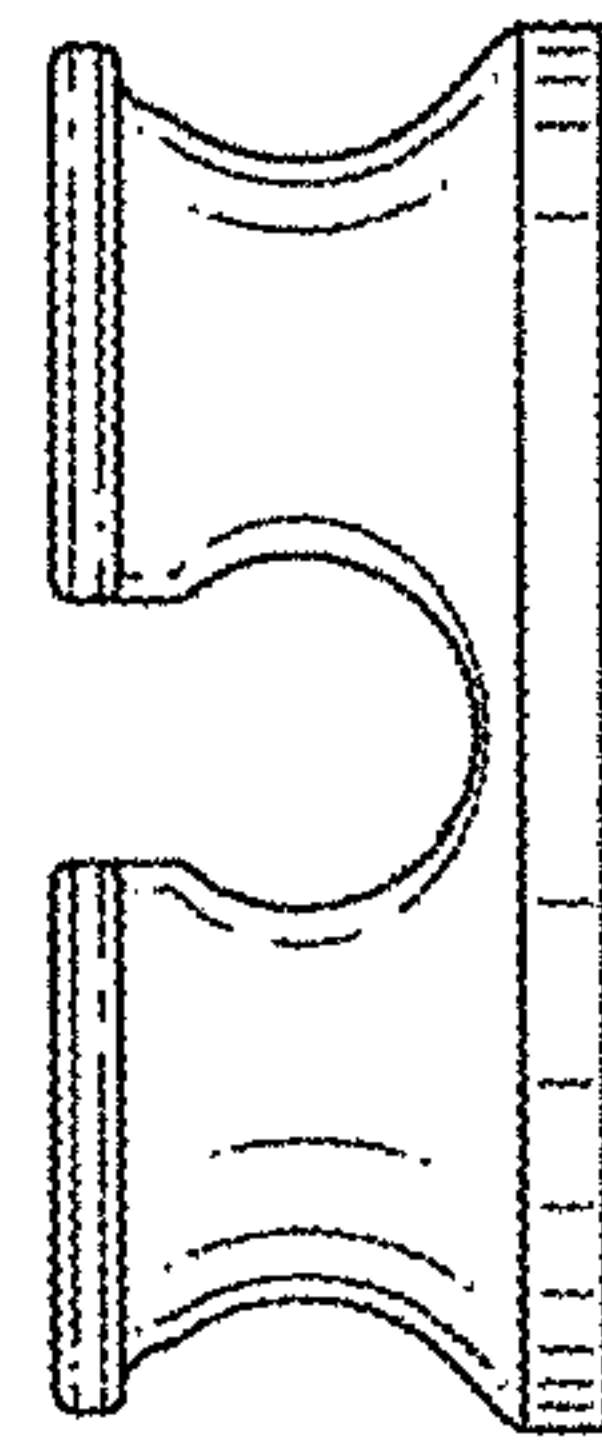


FIG. 13

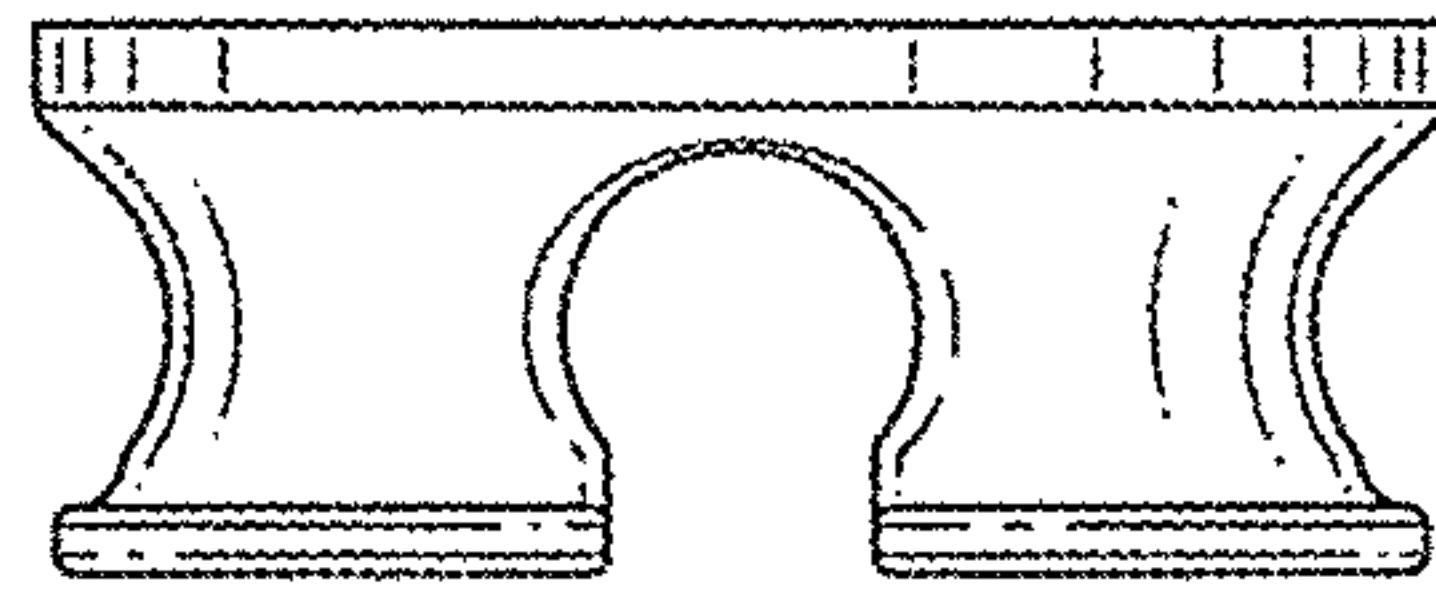


FIG. 14

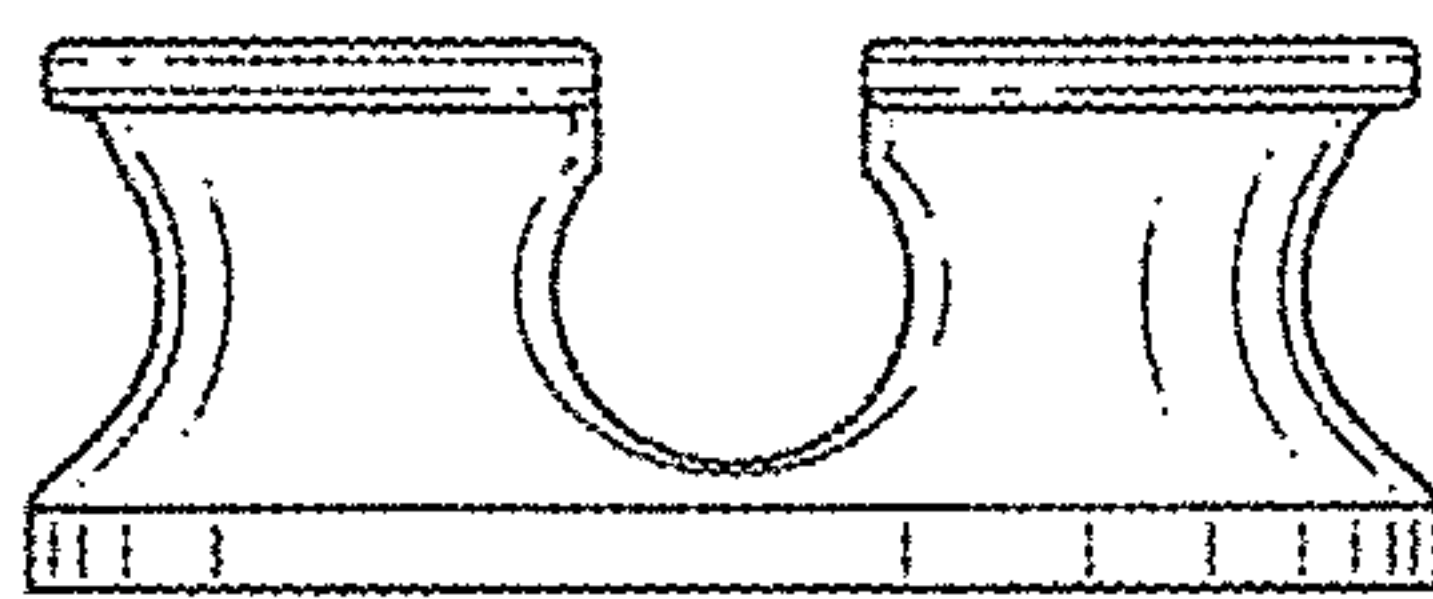


FIG. 15

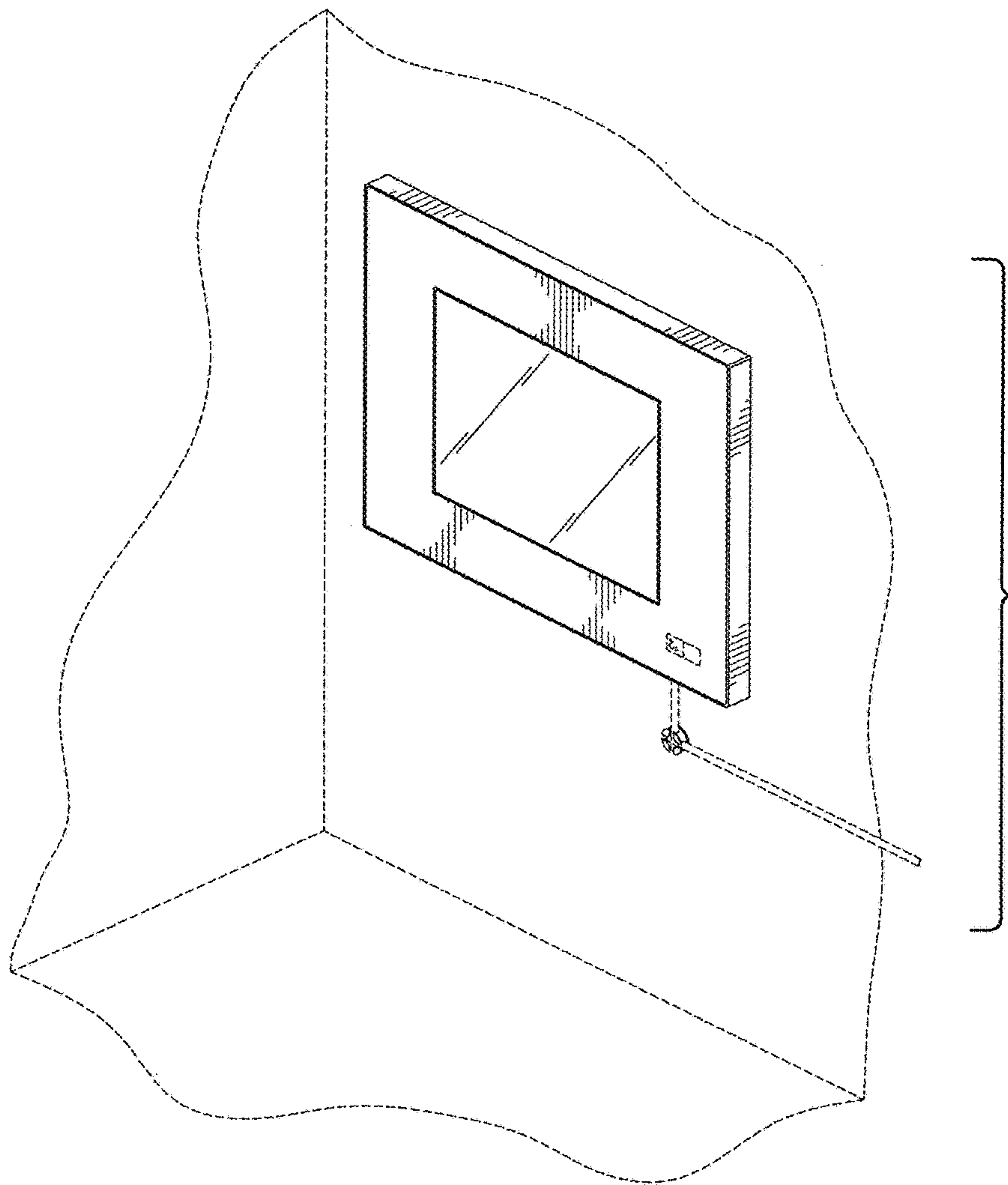


FIG. 16