

US00D805308S

(12) **United States Design Patent** (10) **Patent No.:** **US D805,308 S**
Chitayat et al. (45) **Date of Patent:** **** Dec. 19, 2017**

- (54) **COMBINED FOAMING BRUSH AND HOUSING**
- (71) Applicant: **Genimex Jersey Ltd.**, Shanghai (CN)
- (72) Inventors: **David Dennys Chitayat**, Shanghai (CN); **Heather T. Kauffman**, Shanghai (CN); **Pieter Schouten**, Berkeley, CA (US)
- (73) Assignee: **FC Brands Limited**, Central Hong Kong (HK)
- (**) Term: **14 Years**
- (21) Appl. No.: **29/469,124**
- (22) Filed: **Oct. 7, 2013**

Related U.S. Application Data

- (63) Continuation of application No. 13/306,297, filed on Nov. 29, 2011, now abandoned.
- (51) **LOC (10) Cl.** **04-99**
- (52) **U.S. Cl.**
USPC **D4/116**
- (58) **Field of Classification Search**
USPC D4/114, 116, 121, 127, 135; 15/104.92, 15/257.01, 257.05; 401/118, 120, 123, 401/125-127, 129, 130
CPC A46B 2200/30; A46B 2200/1033; A46B 2200/1046; A46B 2200/3033; A45D 27/04; A45D 33/00; A45D 33/006; A45D 34/00; A45D 34/042; A45D 34/045; A45D 40/262; A45D 40/265; A45D 2034/00; A45D 2034/002; A45D 2200/10; A45D 2200/1009; A45D 2200/1018; A45D 2200/1036; A45D 2200/1054; A45D 2200/109; A47L 13/10; A47L 13/16; A47L 13/17; A47L 23/04; A47L 23/05

See application file for complete search history.

- (56) **References Cited**
- U.S. PATENT DOCUMENTS
- 124,984 A * 3/1872 Sweetser A46B 15/00 15/258
- 729,417 A 2/1903 Rivers
- 888,756 A * 5/1908 Sranton A45D 33/006 401/130
- 1,450,386 A 12/1920 Regan
- 2,242,947 A * 5/1941 Griffis A47L 23/05 15/209.1
- 2,400,926 A 9/1942 Harding
- D134,044 S * 10/1942 Vaughn D28/91
- 2,699,885 A 11/1952 McClure
- (Continued)

FOREIGN PATENT DOCUMENTS

- DE 29818072 U1 * 2/1999 A47L 13/16

OTHER PUBLICATIONS

EU 1374961-0002 Registered Design, (Tescoma S.R.O.) Jul. 8, 2013, [online], [retrieved on Dec. 17, 2015] Retrieved from the Questel Intellectual Property Portal Design Database using the Internet: <URL: <http://www.orbit.com>>.*

Primary Examiner — Melanie H Tung
(74) *Attorney, Agent, or Firm* — Pierce Atwood LLP

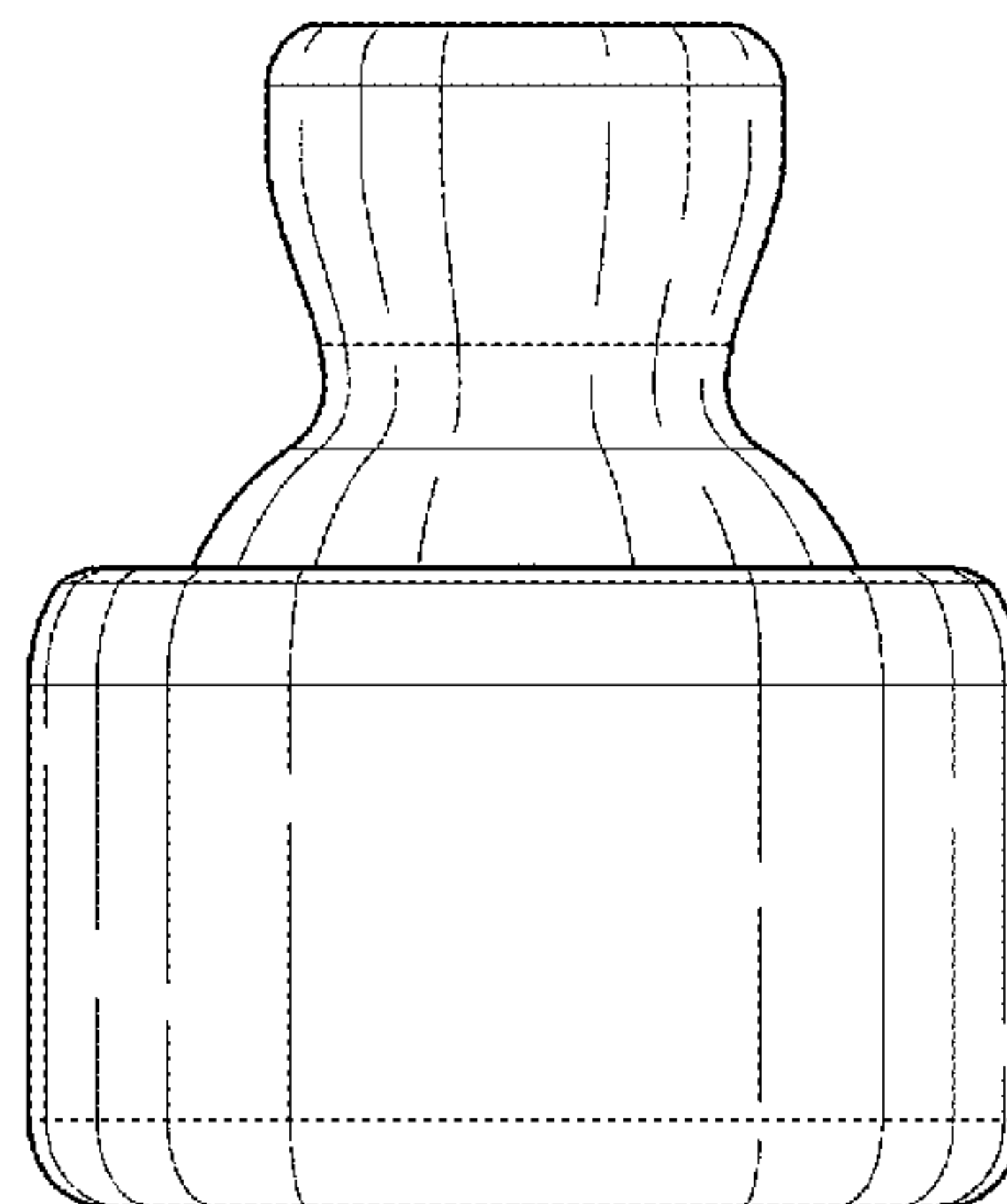
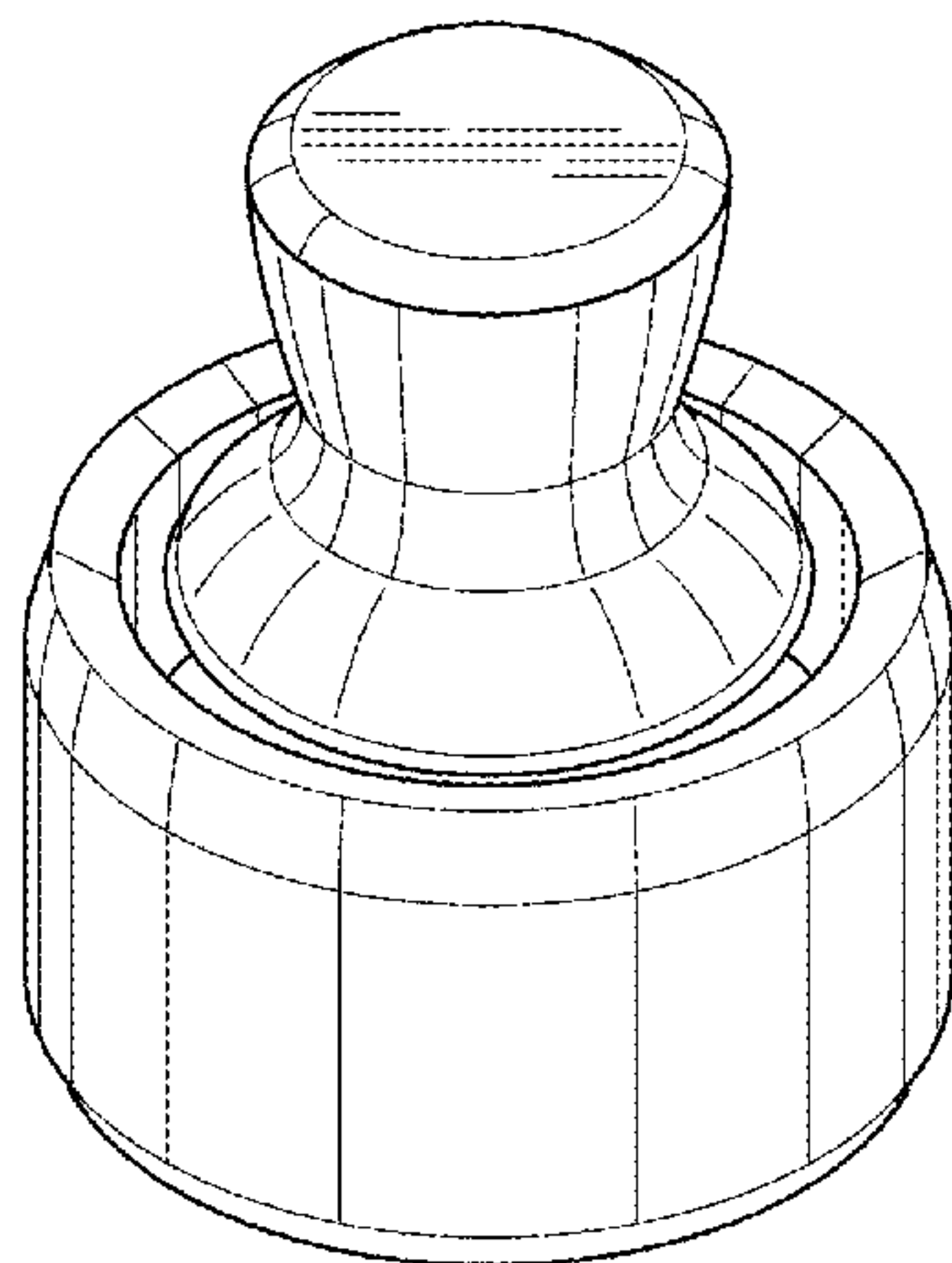
(57) **CLAIM**

The ornamental design for a combined foaming brush and housing, as shown and described.

DESCRIPTION

FIG. 1 is a perspective view of the combined foaming brush and housing;
FIG. 2 is a side view thereof, the front, back and other side being mirror images;
FIG. 3 is a top view thereof; and,
FIG. 4 is a bottom view thereof.

(Continued)



The dot-dot-dashed lines in FIG. 4 show portions of the housing that form no part of the claimed design.

1 Claim, 1 Drawing Sheet

(56)

References Cited

U.S. PATENT DOCUMENTS

2,789,301	A *	4/1957	Harvey	A47L 23/10 15/244.1
3,015,120	A *	1/1962	Anderson	A47L 23/05 206/15.2
3,456,650	A	7/1969	Schwartzman		
3,694,096	A	9/1972	Seidler		
4,693,623	A	9/1987	Schwartzman		
4,893,957	A	1/1990	Byriel		
D307,646	S *	5/1990	Kingsford	D28/76
4,948,078	A	8/1990	Dumenigo		

5,397,194	A	3/1995	Yuan et al.		
5,573,340	A	11/1996	Gueret		
5,636,931	A	6/1997	Gueret		
6,224,283	B1	5/2001	Hay		
6,676,321	B2 *	1/2004	Gueret	A45D 33/00 401/126
6,773,187	B2 *	8/2004	Gueret	A45D 33/00 401/118
6,776,549	B2	8/2004	Gueret		
7,028,843	B2 *	4/2006	Byun	A45D 33/025 132/293
7,156,572	B2	1/2007	Gueret		
7,513,707	B2	4/2009	Eggleden		
8,286,647	B2 *	10/2012	Bae	A45D 33/006 132/305
8,430,587	B2 *	4/2013	De Laforcade	A45D 33/00 401/121
2002/0003983	A1	1/2002	Gueret		
2003/0133737	A1	7/2003	Le Moing		
2010/0143021	A1	6/2010	De Laforcade		

* cited by examiner

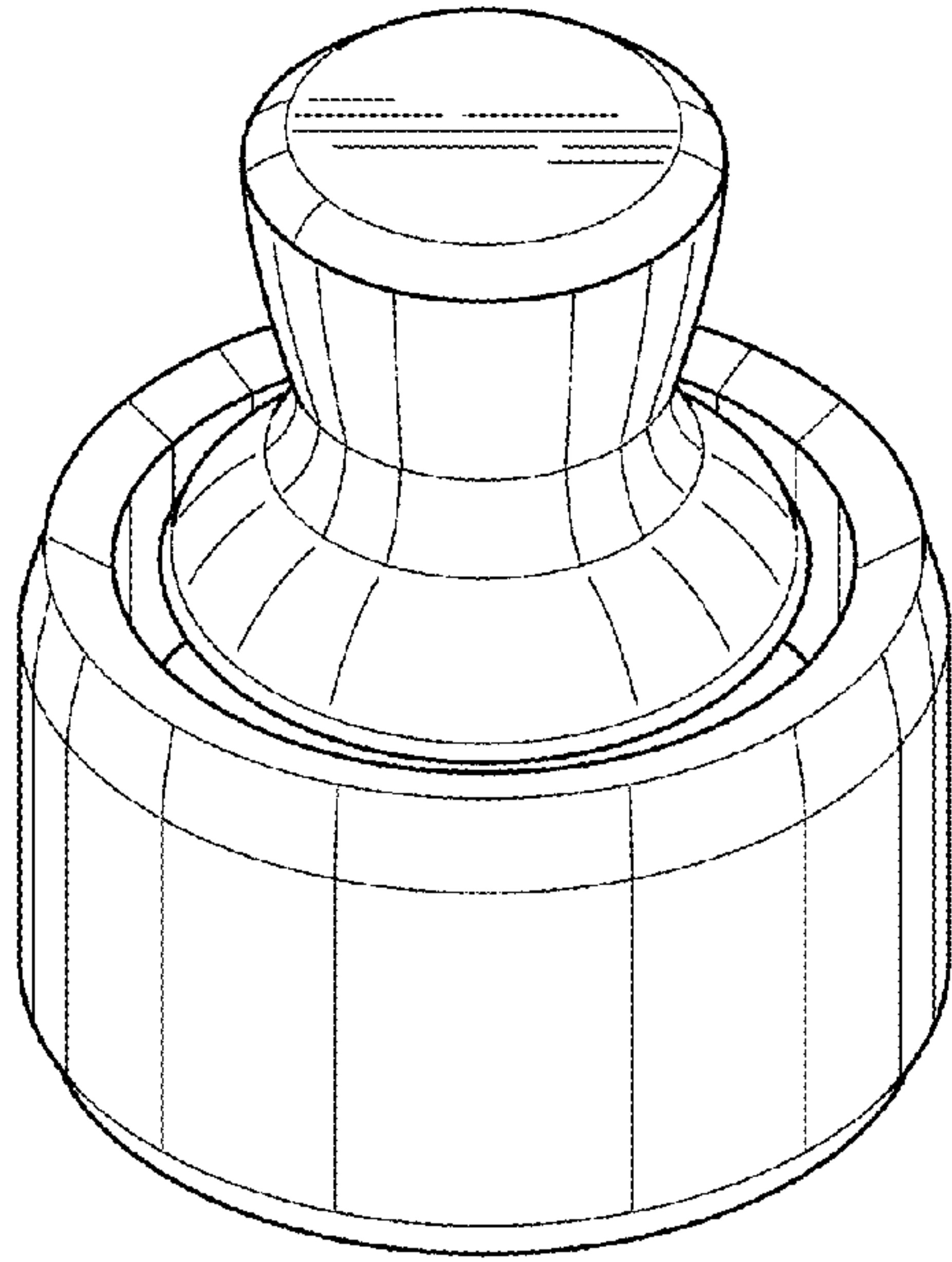


FIG. 1

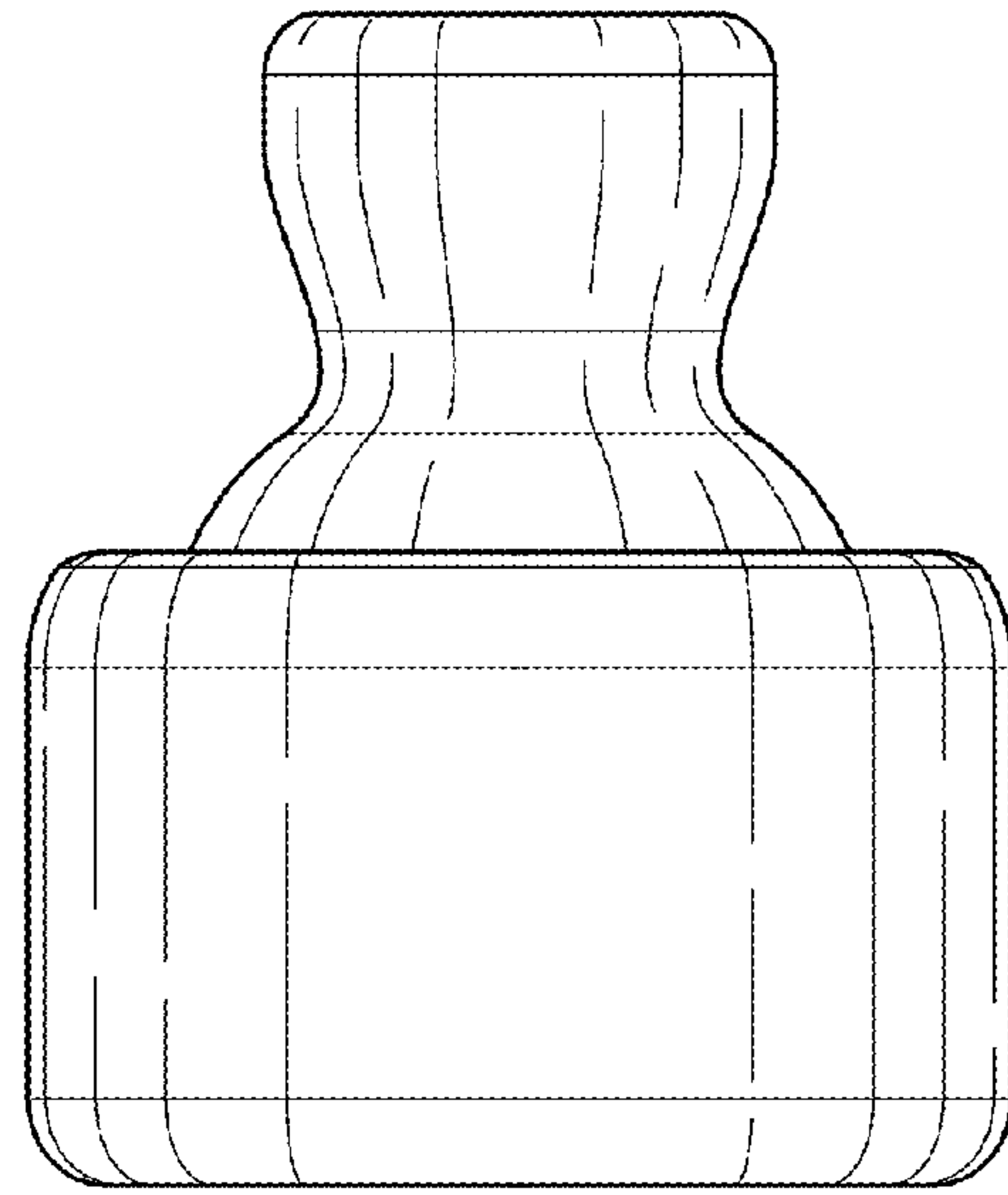


FIG. 2

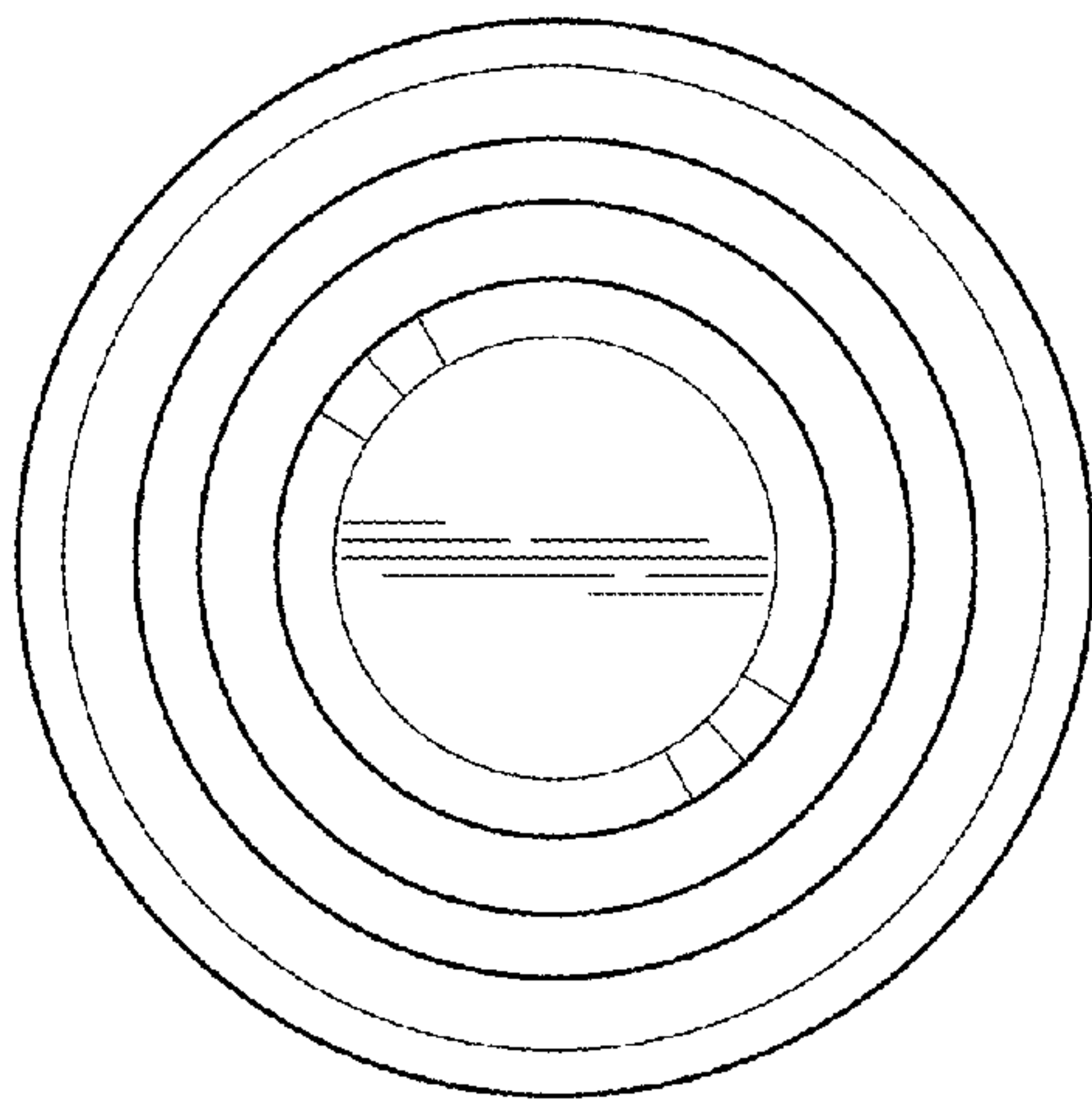


FIG. 3

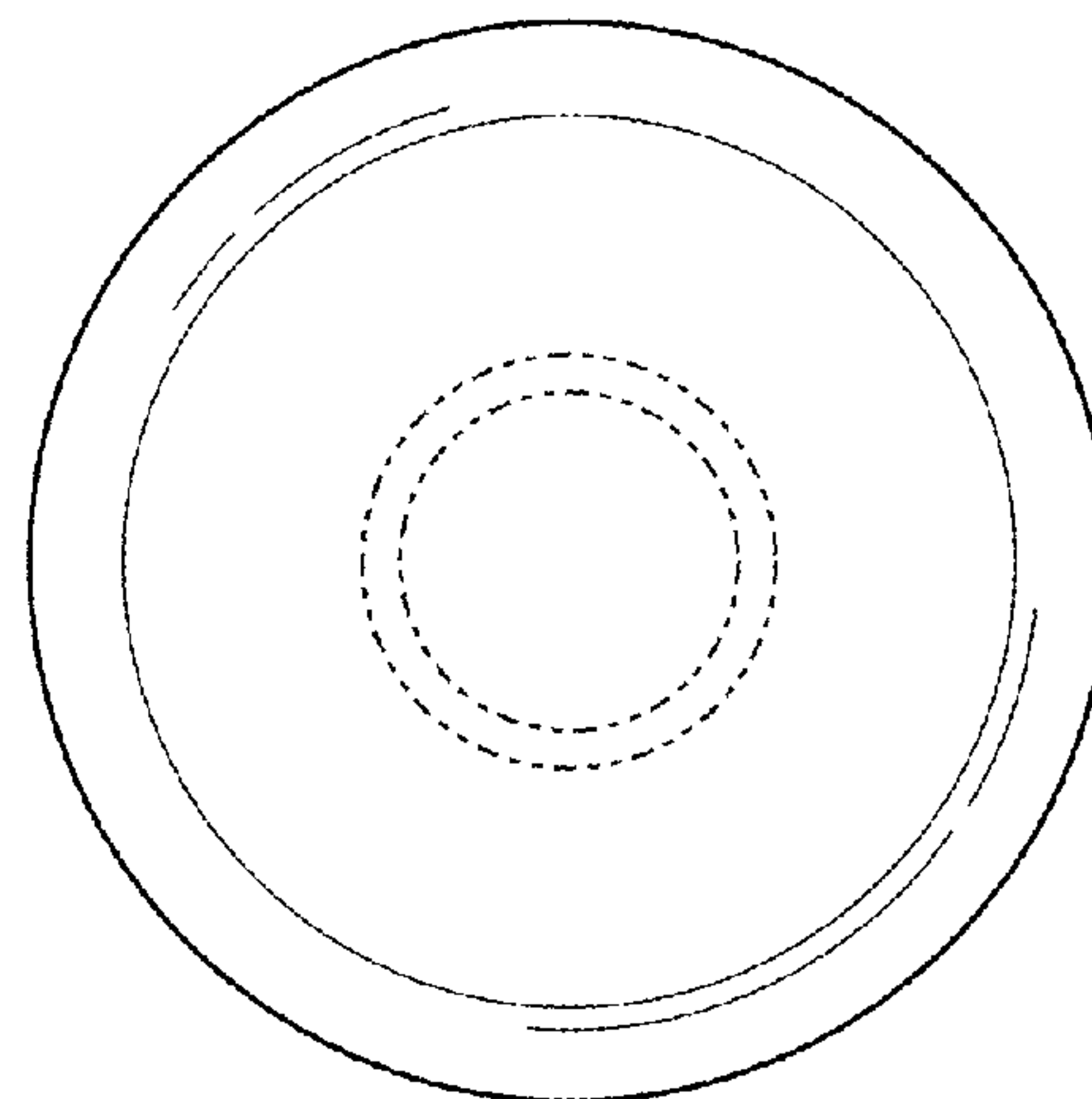


FIG. 4