



US00D805306S

(12) **United States Design Patent** (10) **Patent No.:** **US D805,306 S**  
**Massee** (45) **Date of Patent:** **\*\* Dec. 19, 2017**

(54) **BRUSH HEAD FOR ELECTRIC TOOTHBRUSH**

A46D 1/10; A61C 15/048; A61C 17/00;  
A61C 17/16; A61C 17/34; A61C 17/222  
See application file for complete search history.

(71) Applicant: **KONINKLIJKE PHILIPS N.V.**,  
Eindhoven (NL)

(56) **References Cited**

(72) Inventor: **Bart Johannes Massee**, Eindhoven  
(NL)

U.S. PATENT DOCUMENTS

(73) Assignee: **KONINKLIJKE PHILIPS N.V.**,  
Eindhoven (NL)

D397,252	S	*	8/1998	Allende	.....	D4/101
D502,320	S	*	3/2005	Fattori	.....	D4/101
D517,325	S	*	3/2006	Black	.....	D4/108
D674,608	S	*	1/2013	Jimenez	.....	D4/101
D688,045	S	*	8/2013	Key	.....	D4/101
D703,443	S	*	4/2014	Gatzemeyer	.....	D4/101
D715,057	S	*	10/2014	Adriaenssen	.....	D4/101
D747,609	S	*	1/2016	Watkins	.....	D4/101
D759,380	S	*	6/2016	Watkins	.....	D4/101
D759,383	S	*	6/2016	Watkins	.....	D4/101
D769,626	S	*	10/2016	Bloch	.....	D4/101

(\*\*) Term: **15 Years**

(21) Appl. No.: **35/500,749**

\* cited by examiner

(22) Filed: **Sep. 21, 2015**

(80) **Hague Agreement Data**

Int. Filing Date: **Sep. 21, 2015**  
Int. Reg. No.: **DM/088203**  
Int. Reg. Date: **Sep. 21, 2015**  
Int. Reg. Pub. Date: **Mar. 25, 2016**

*Primary Examiner* — Keli L Hill

(74) *Attorney, Agent, or Firm* — Dawn C. Wolff

(57) **CLAIM**

The ornamental design for a brush head for electric toothbrush, as shown and described.

(30) **Foreign Application Priority Data**

Apr. 29, 2015 (EM) ..... 002691360-0001  
Apr. 29, 2015 (EM) ..... 002691360-0002

**DESCRIPTION**

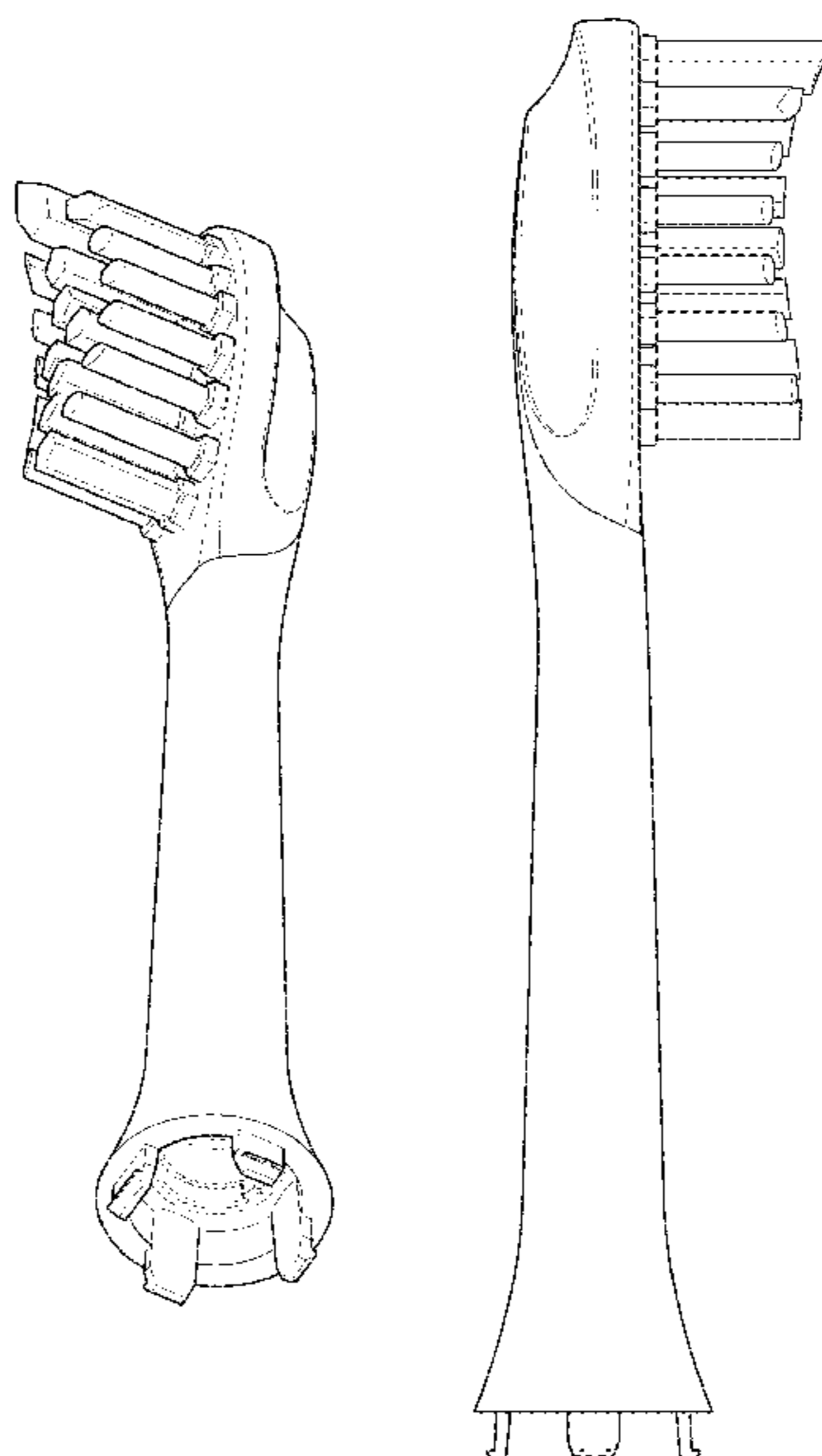
(51) **LOC (10) Cl.** ..... **04-02**

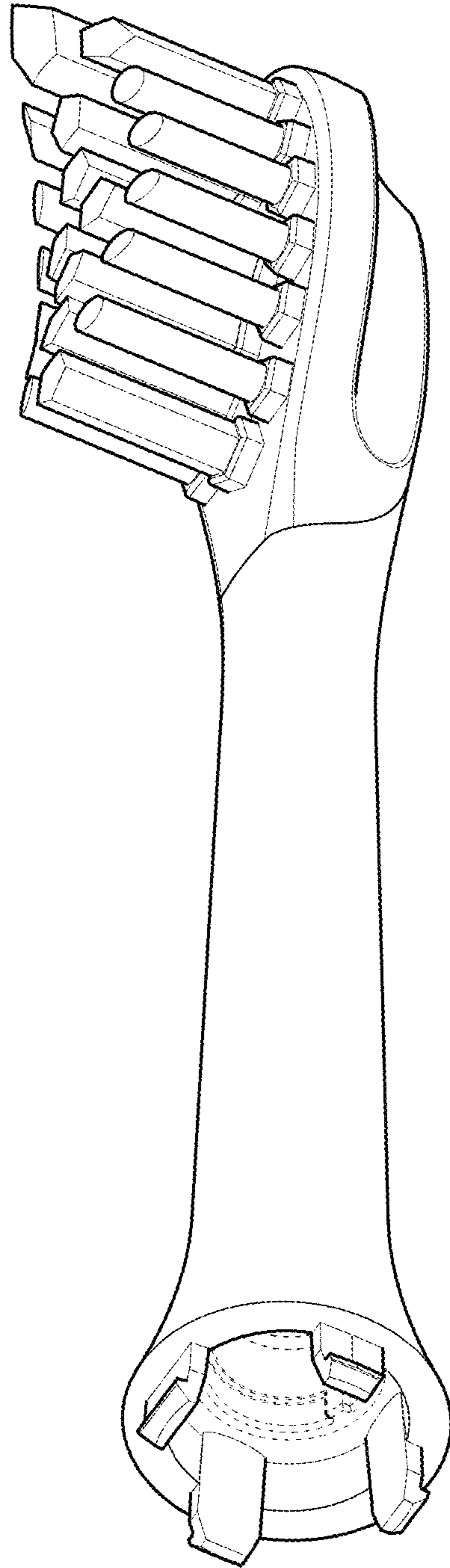
(52) **U.S. Cl.**  
USPC ..... **D4/101**

(58) **Field of Classification Search**  
USPC ..... D4/100-102, 104-113, 127, 128;  
D24/152, 176; 15/167.1-167.2;  
32/308-311  
CPC .. A45D 44/18; A46B 5/0095; A46B 15/0055;  
A46B 15/0071; A46B 15/0081; A46B  
15/0087; A46B 17/04; A46B 2200/1066;

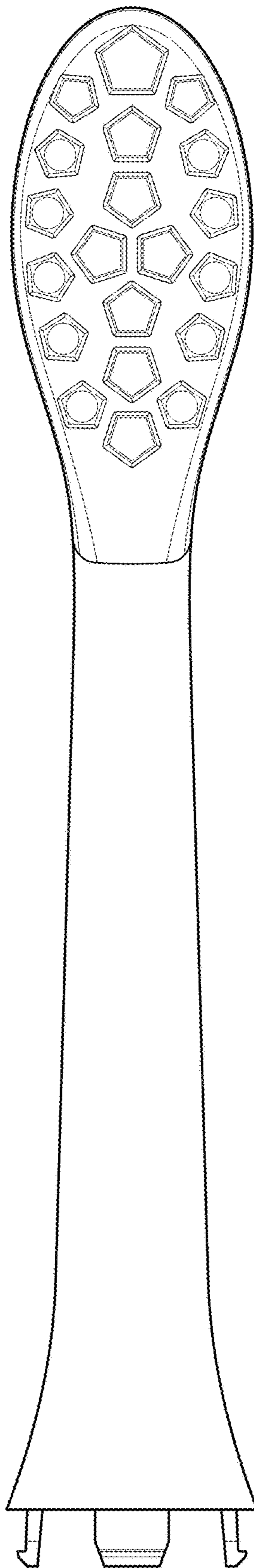
1. Brush head for electric toothbrush  
1.1 is a front and side perspective view of a brush head for electric toothbrush.  
1.2 is a front elevation view.  
1.3 is a rear elevation view.  
1.4 is an opposite side elevation view.  
1.5 is a side elevation view.  
1.6 is a top plan view.  
1.7 is a bottom plan view.  
The broken lines shown in the figures depict portions of the article that form no part of the claimed design.

**1 Claim, 7 Drawing Sheets**

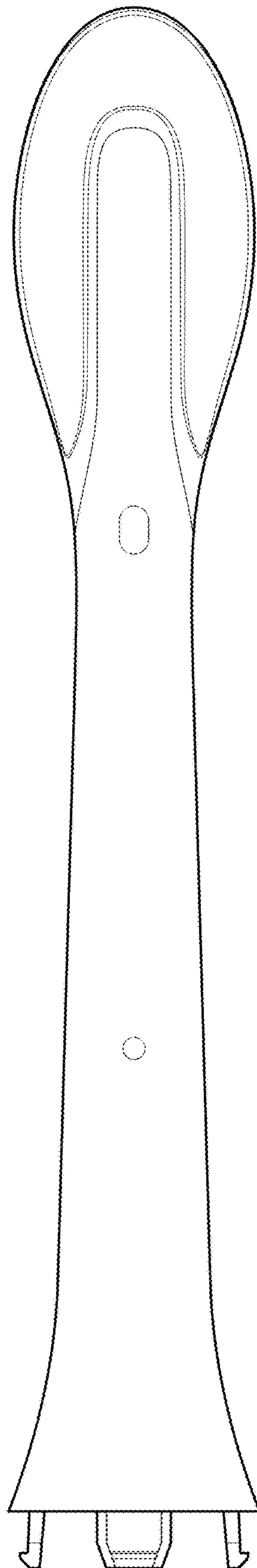




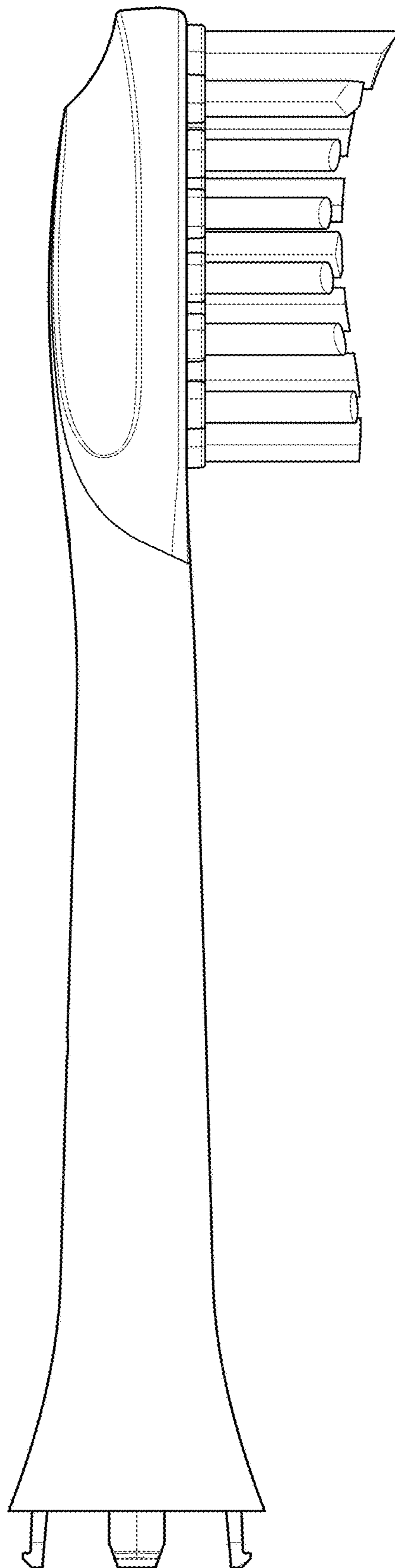
1.1



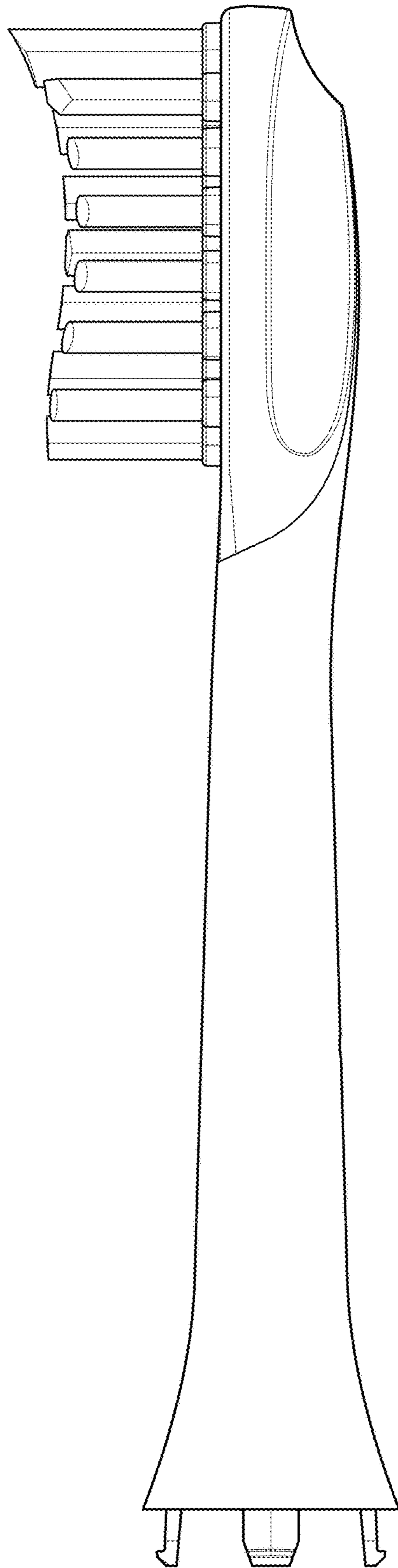
1.2



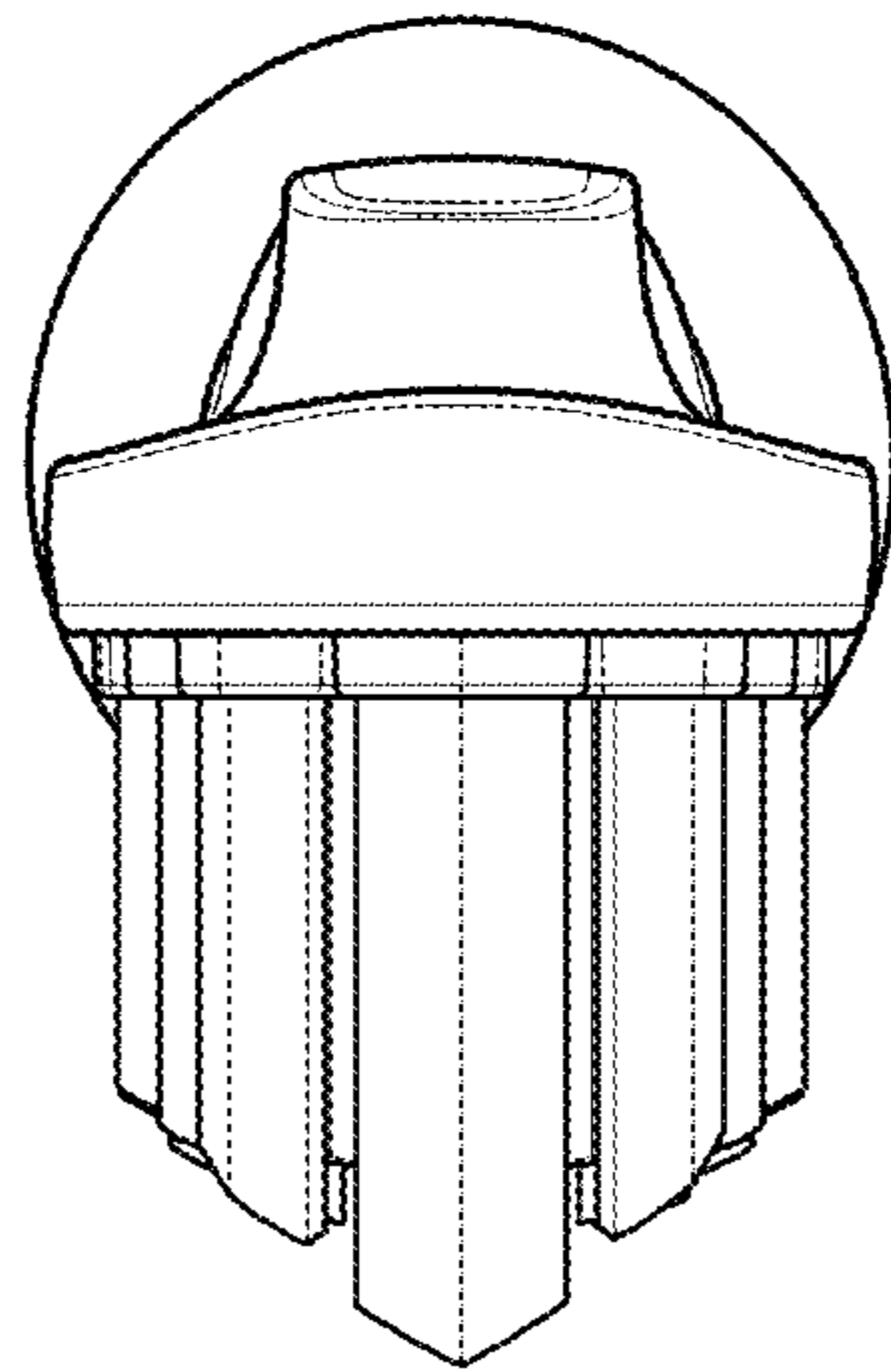
1.3



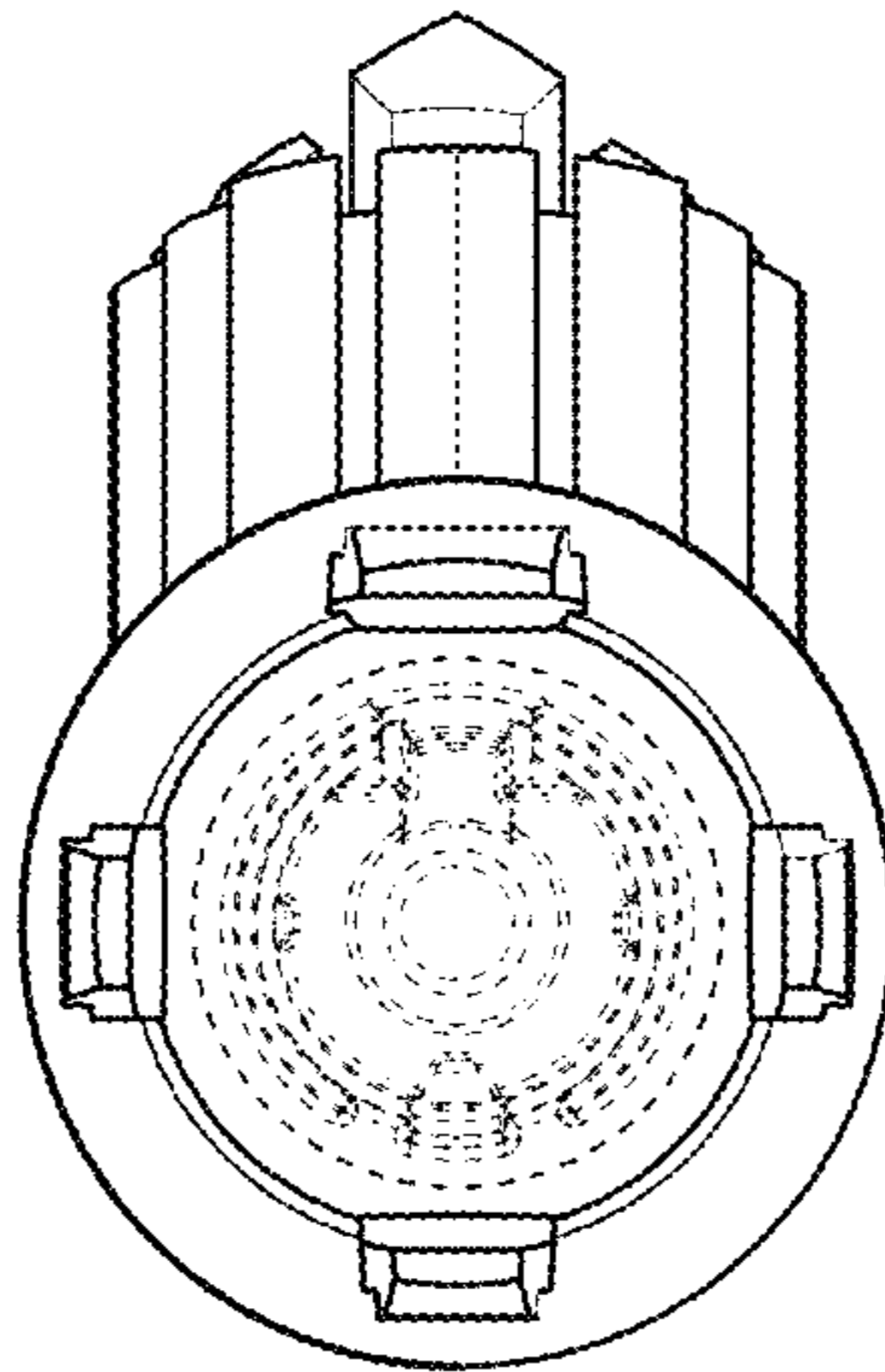
1.4



1.5



1.6



1.7